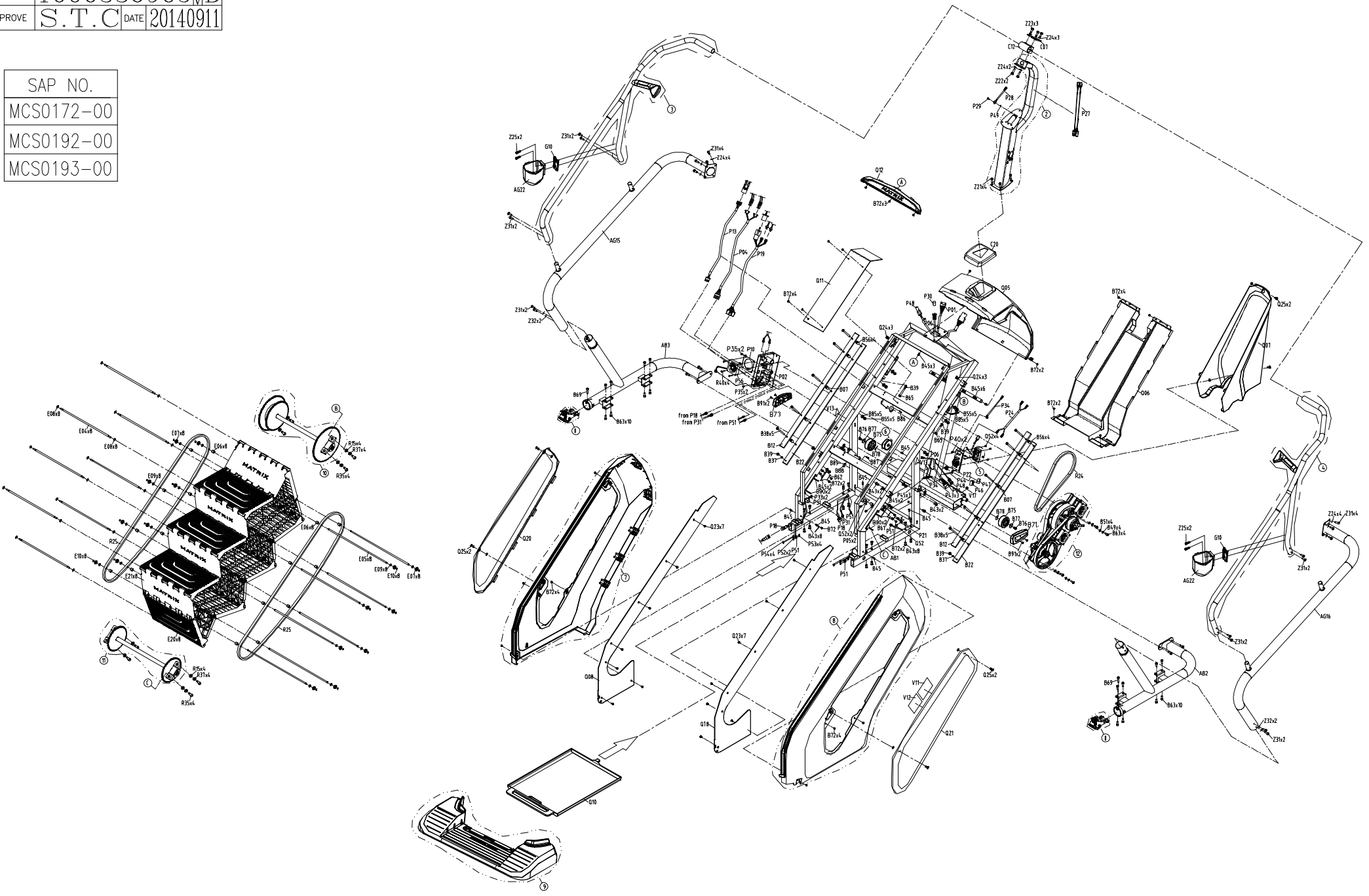

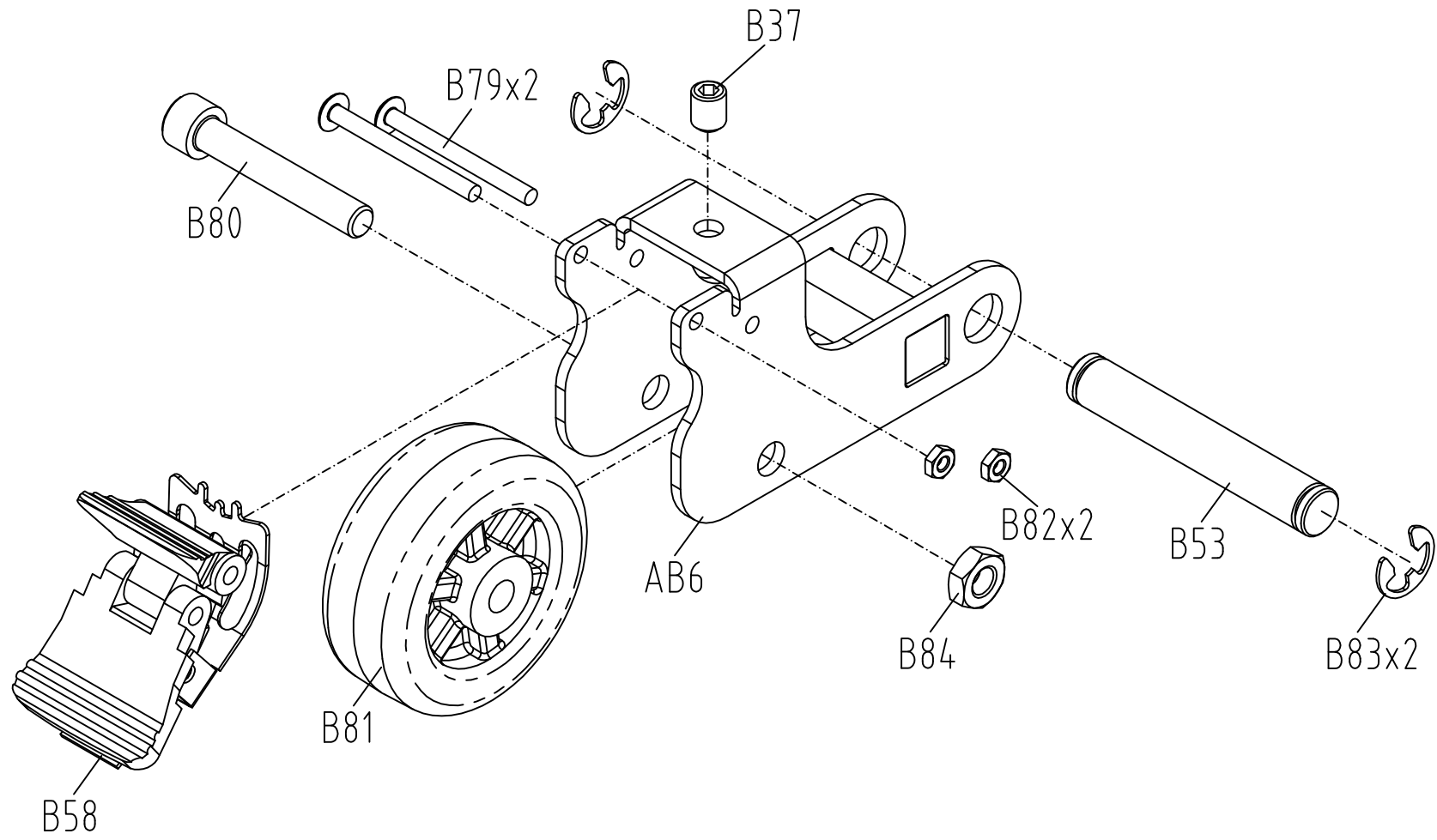


DRAWING NO	CS24-A04
PART NAME	EXPLODE DRAWING
PART NO	1000336905
APPROVE	S.T.C DATE 20140911

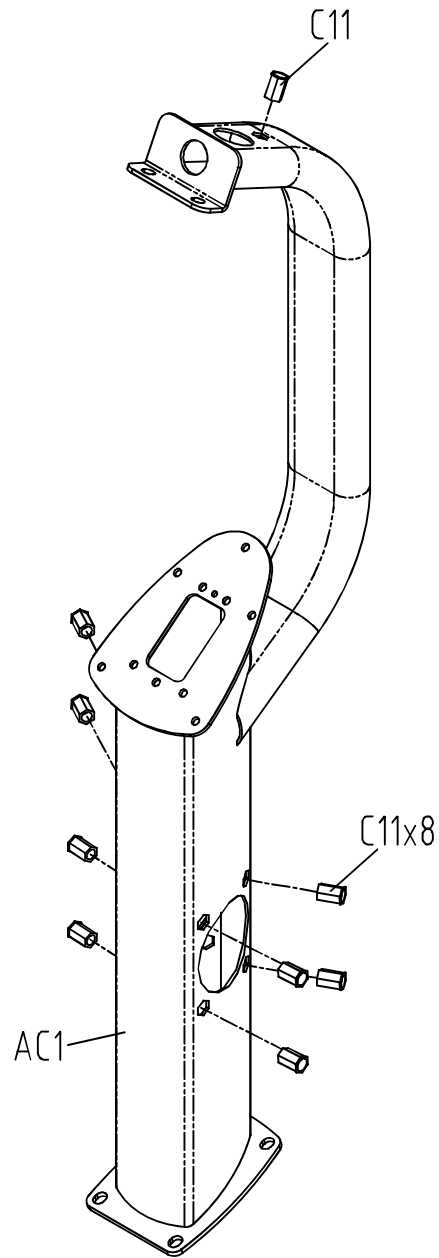
SAP NO.
MCS0172-00
MCS0192-00
MCS0193-00



DRAWING NO	CS17-AB14		
PART NAME	WHEEL SET		
PART NO	1000213059  B		
APPROVE	HERMES	DATE	20101221

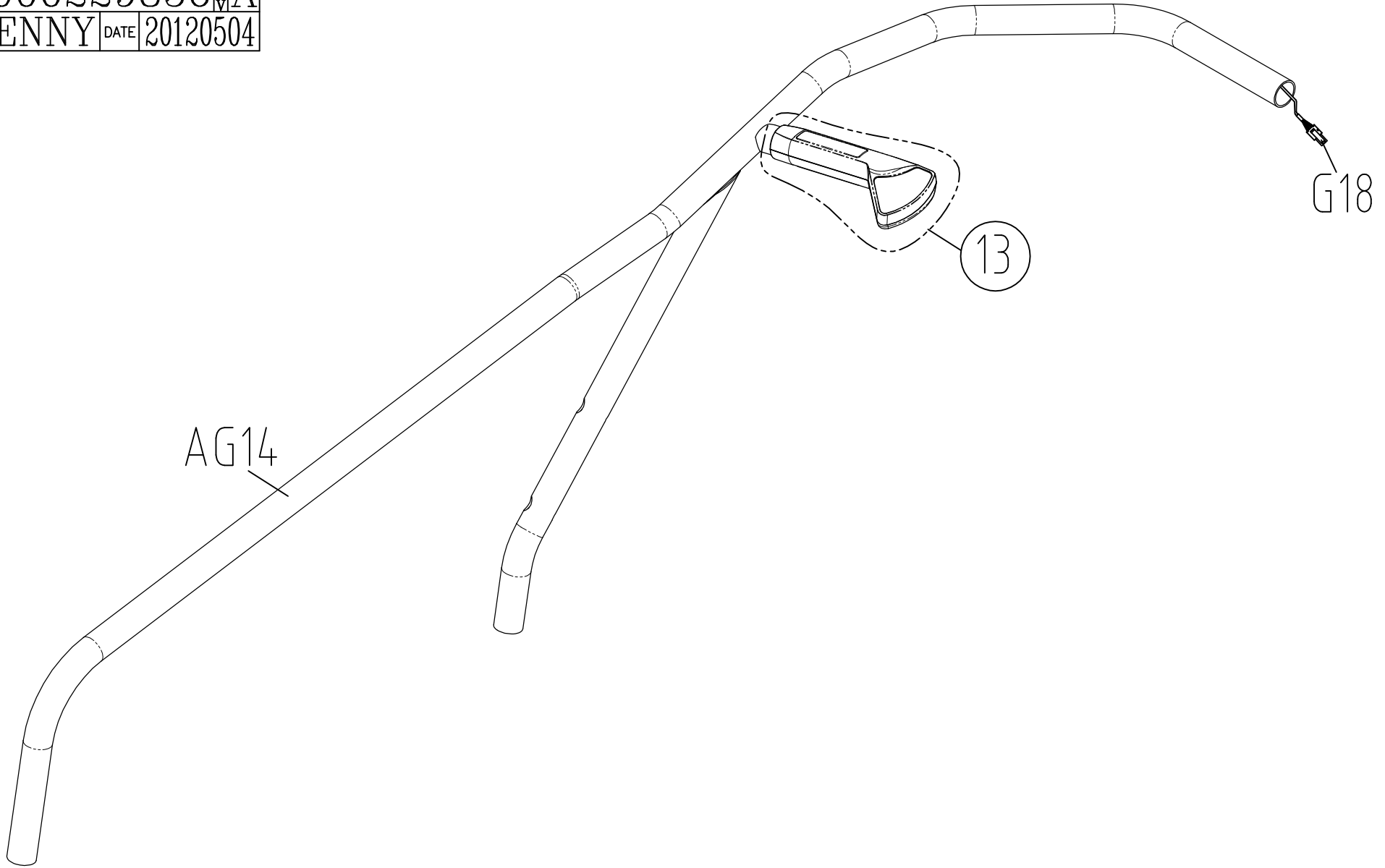


DRAWING NO	CS17-AC11		
PART NAME	CONSOLE_MAST_SET;SA		
PART NO	As attached chart		
APPROVE	EDWARD	DATE	20140617

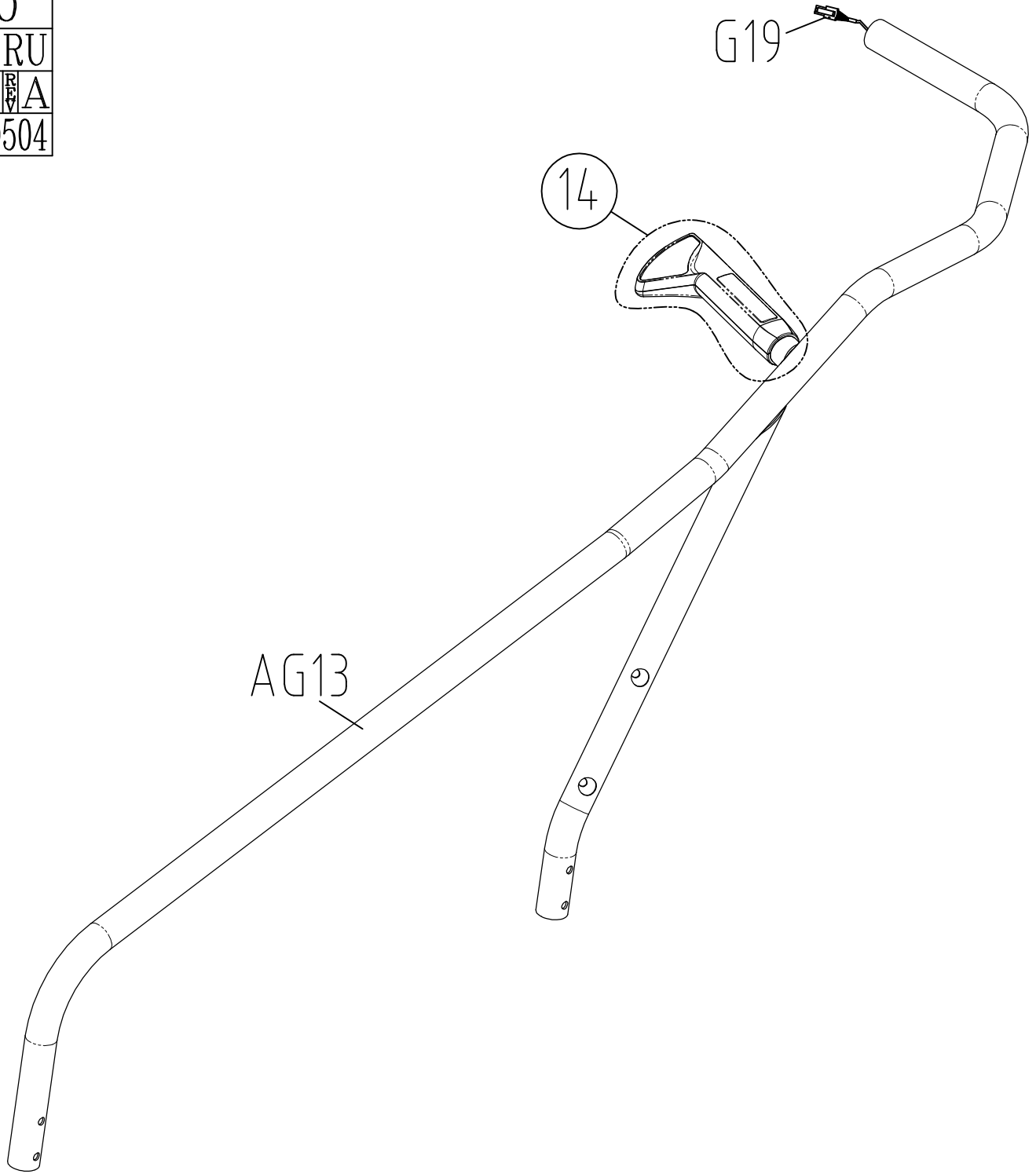


SAP No.	Description
1000209252	Matrix 銀灰色 (SLIVER)
1000336787	PF 專案 紫色 (PURPLE)
1000337810	霧黑 (BLACK MATTE)
1000348808	BLACK MATTE(Fitness park)
1000348840	BLACK MATTE(Moving express)
1000348996	BLACK MATTE(Groupe moving)

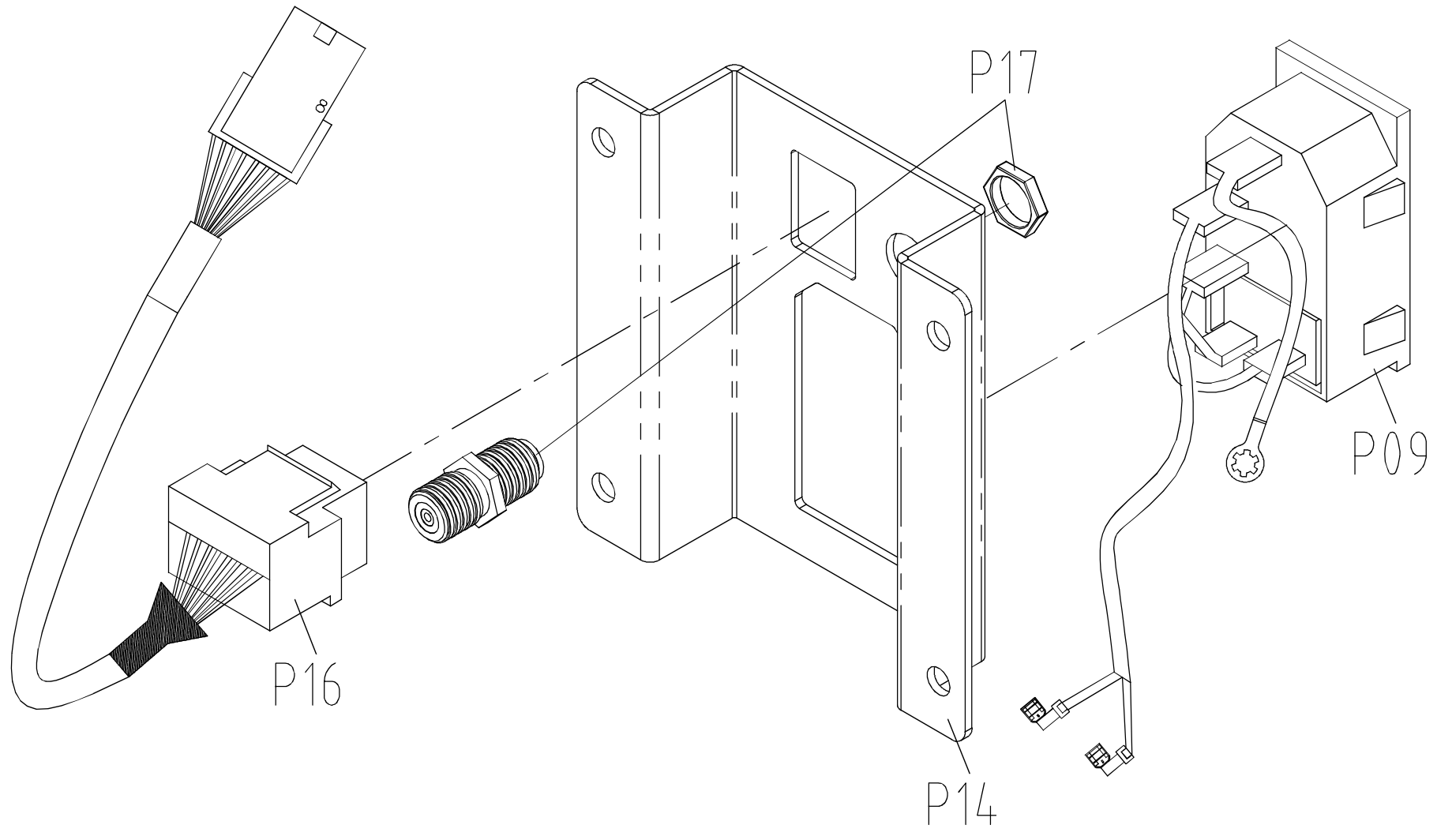
DRAWING NO	CS21-AG18		
PART NAME	ARM REST SET;LU		
PART NO	1000229856		
APPROVE	KENNY	DATE	20120504




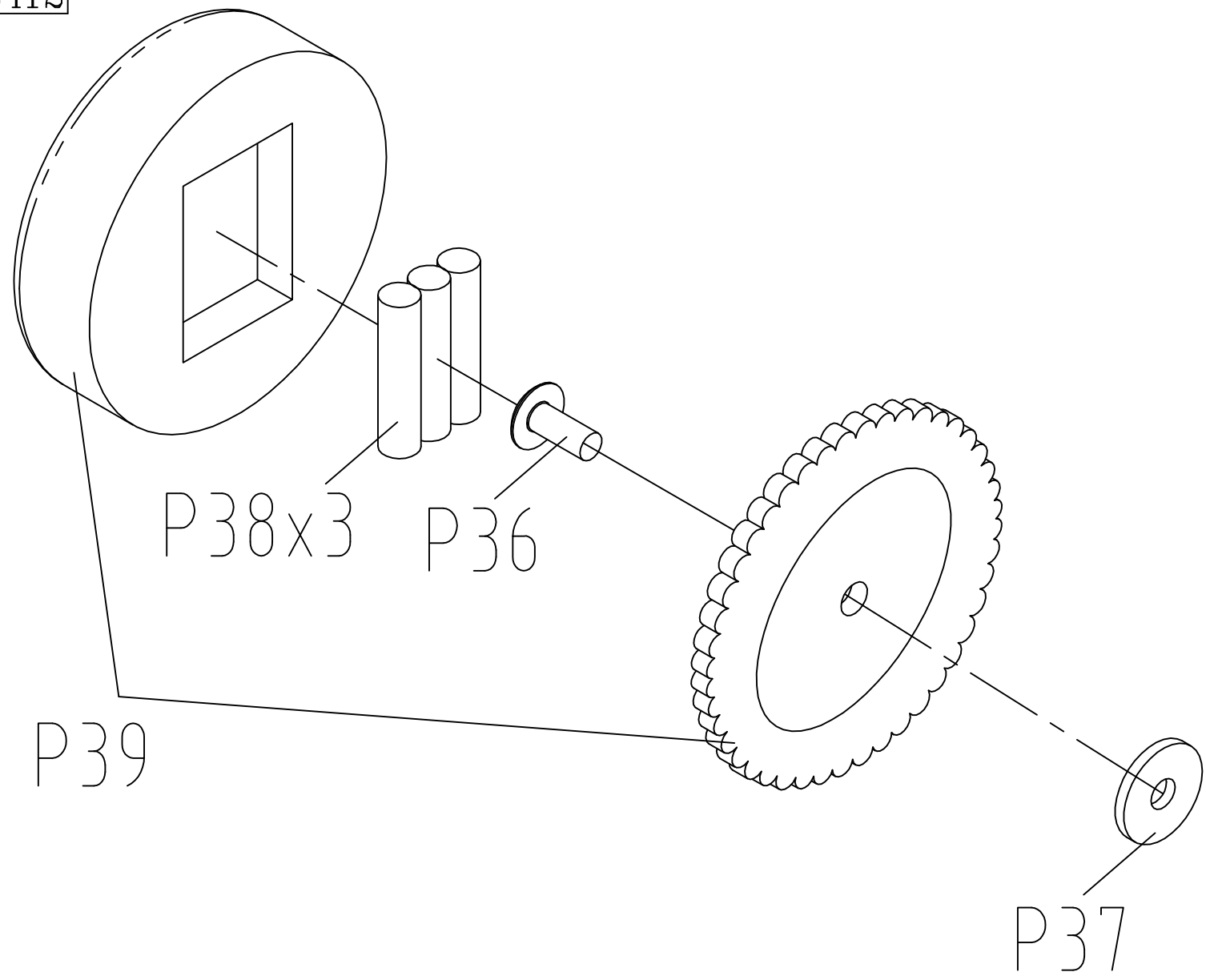
DRAWING NO	CS21-AG20		
PART NAME	ARM REST SET;RU		
PART NO	1000229941		
APPROVE	KENNY	DATE	20120504



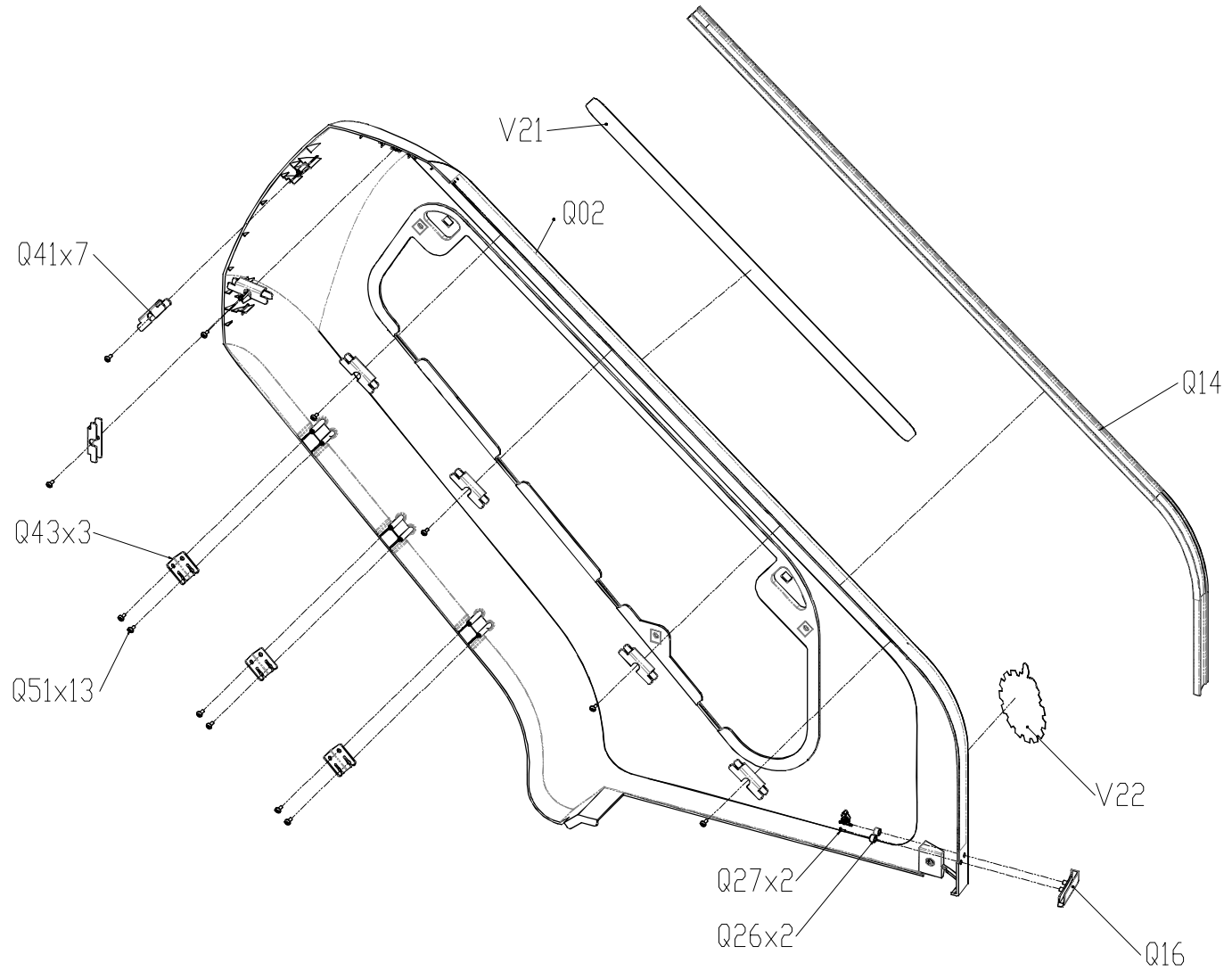
DRAWING NO	CS17-AP15		
PART NAME	E-PORT_FIX_PLATE_SET		
PART NO	1000203645		
APPROVE	Sunny	DATE	110513



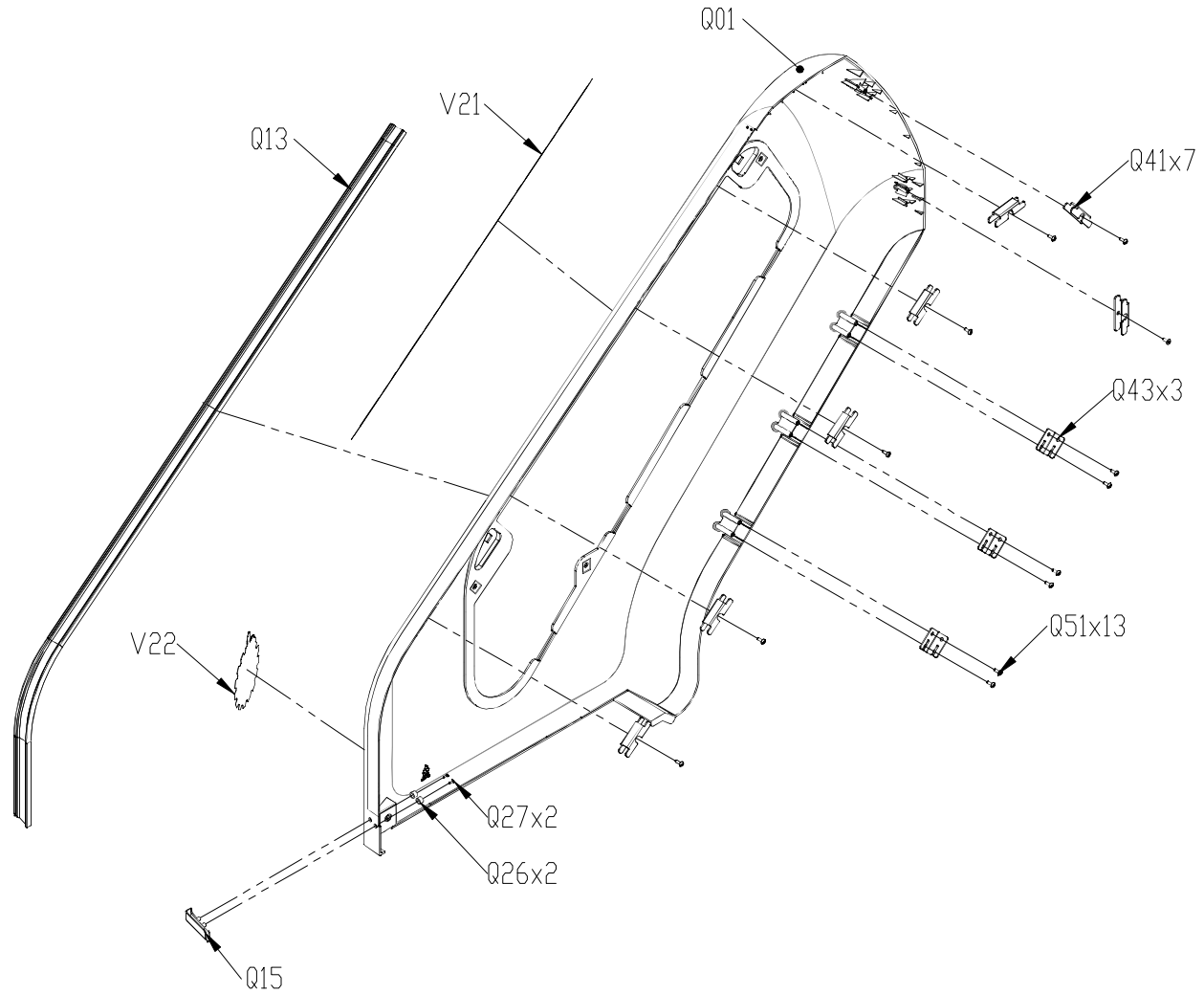
DRAWING NO	CS17-AP16		
PART NAME	LED MAINTAIN LIGHT SET		
PART NO	1000213364  E		
APPROVE	GINGO	DATE	102412



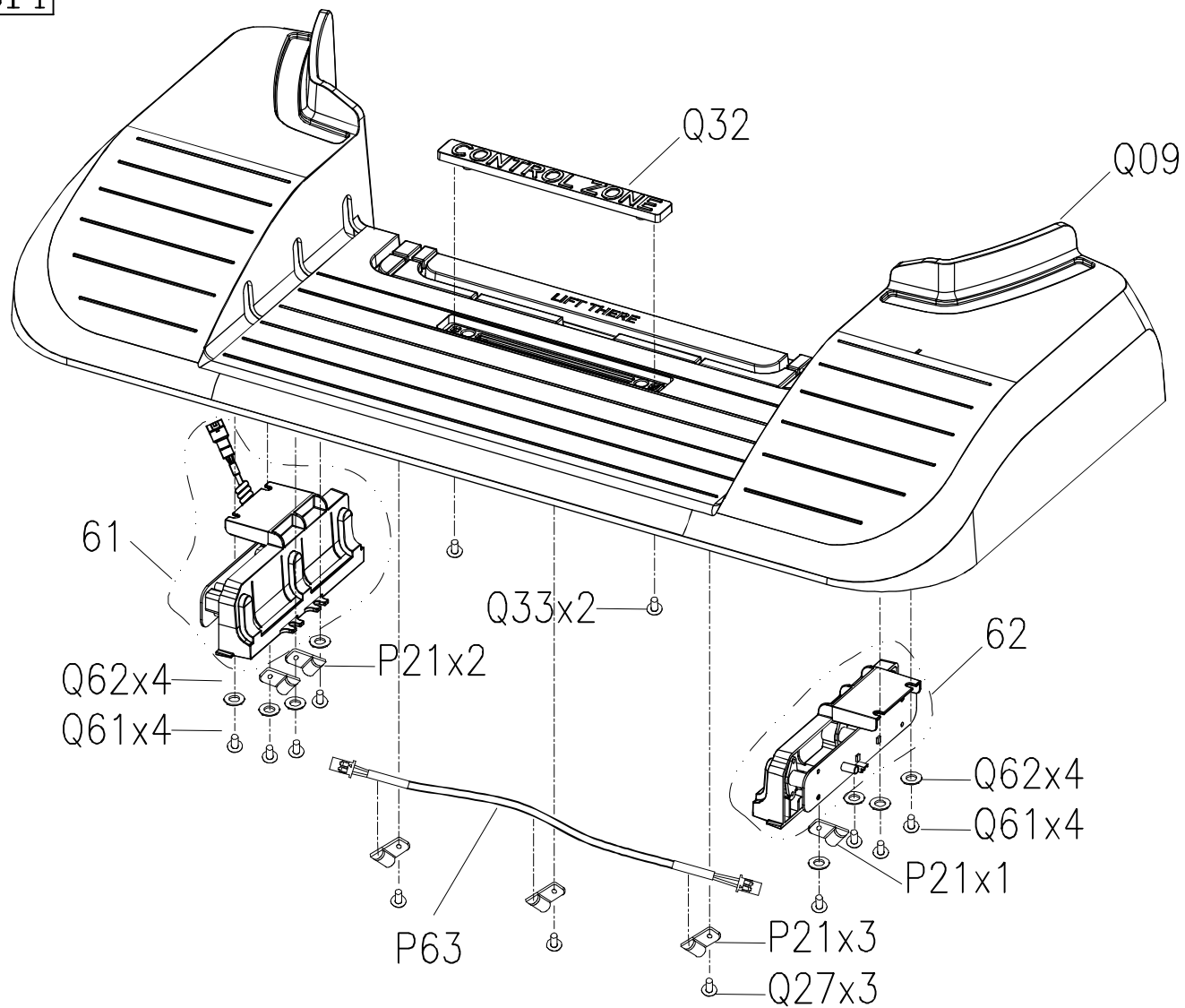
DRAWING NO	CS23B-AQ2	
PART NAME	Shield set; Right	
PART NO	1000336875 B	
APPROVE	Hunter	DATE 20140102



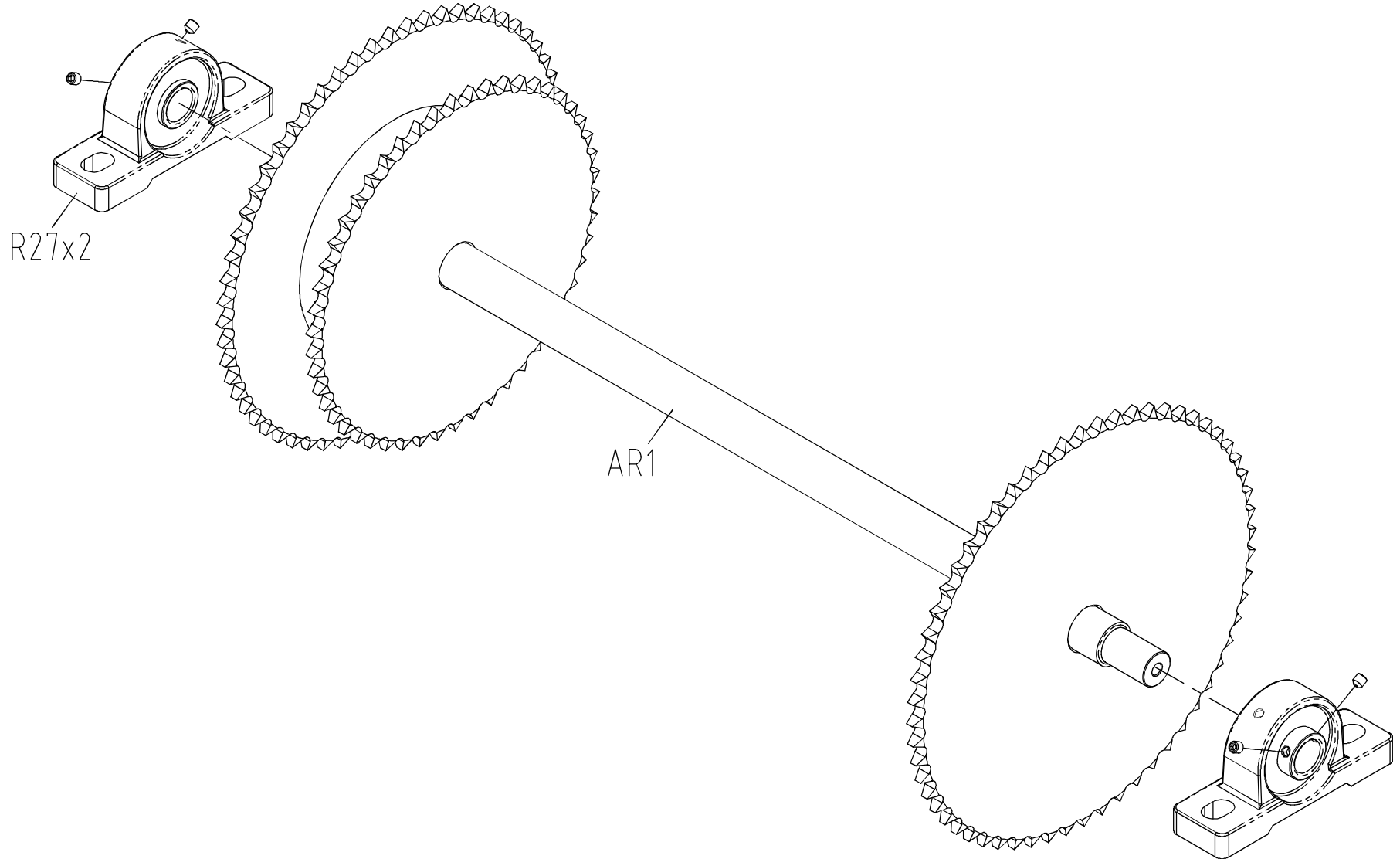
DRAWING NO	CS23B-AQ1		
PART NAME	Shield set;Left		
PART NO	1000336874	REV	B
APPROVE	Hunter	DATE	20140102



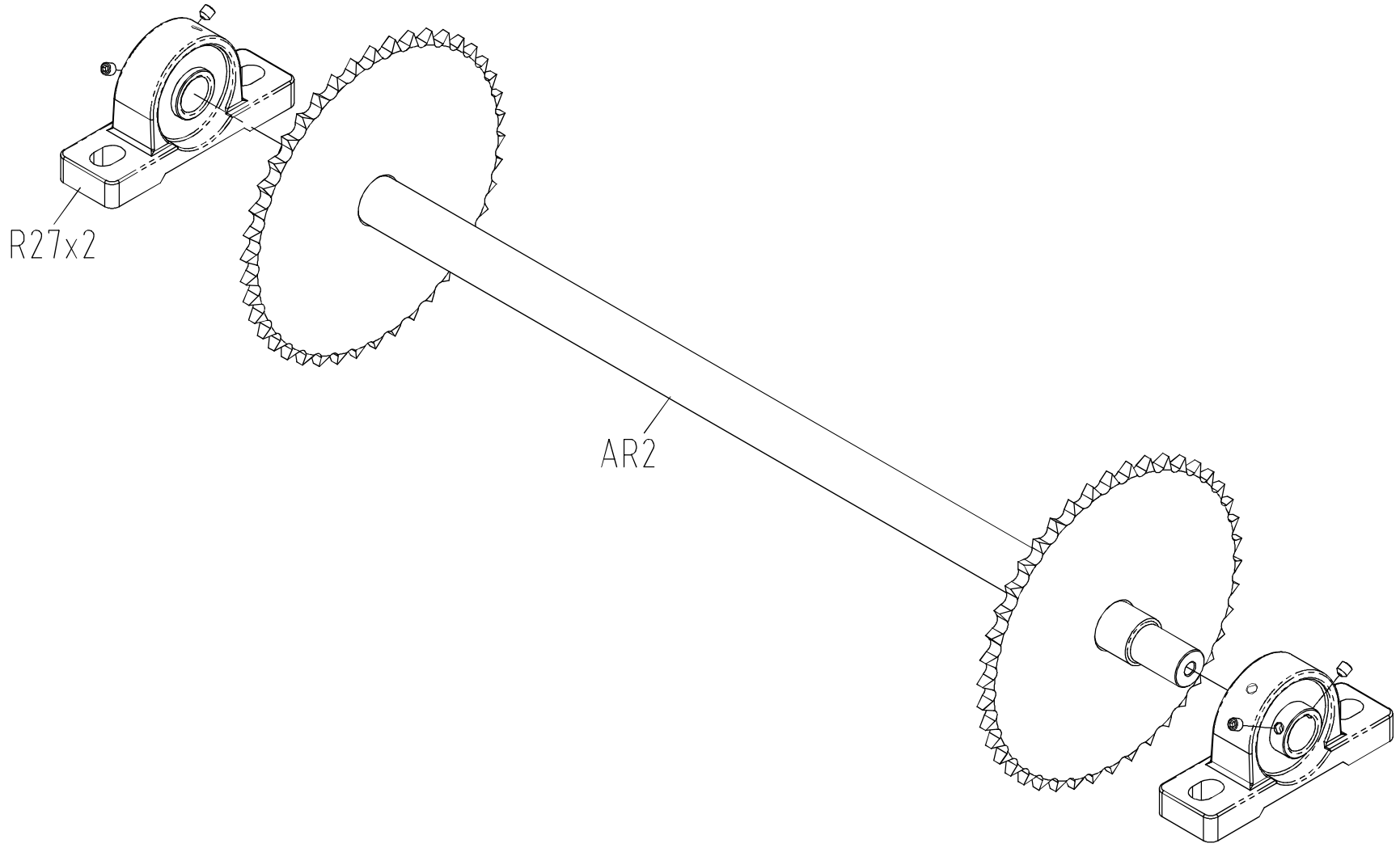
DRAWING NO	CS24-AQ3		
PART NAME	TREAD SET;;back		
PART NO	1000336928 <small>REV</small> B		
APPROVE	Gingo	DATE	031214



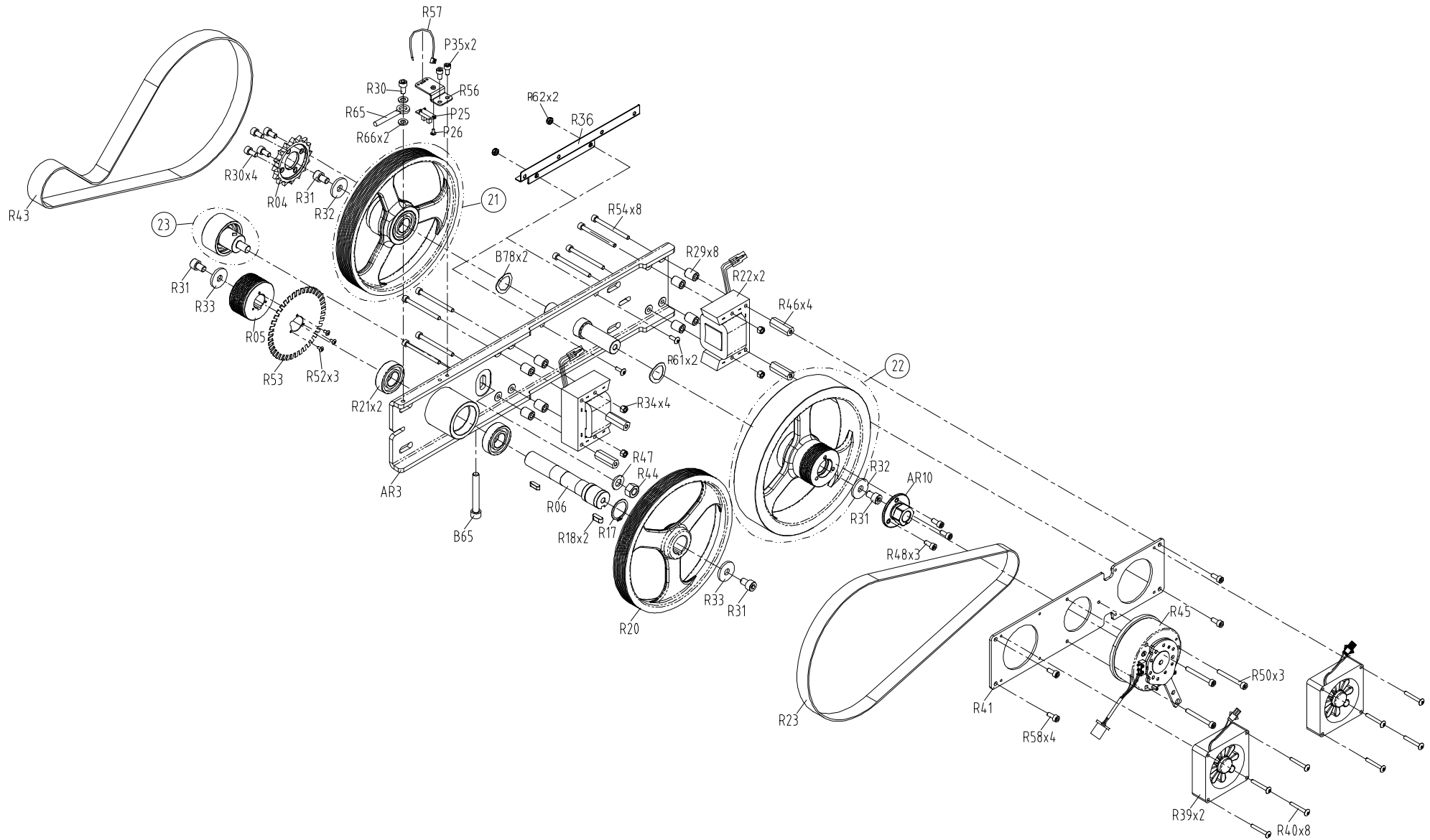
DRAWING NO	CS17-AR6		
PART NAME	SPROCKET SET:FRONT		
PART NO	1000212922		
APPROVE	S.T.C	DATE	20131231



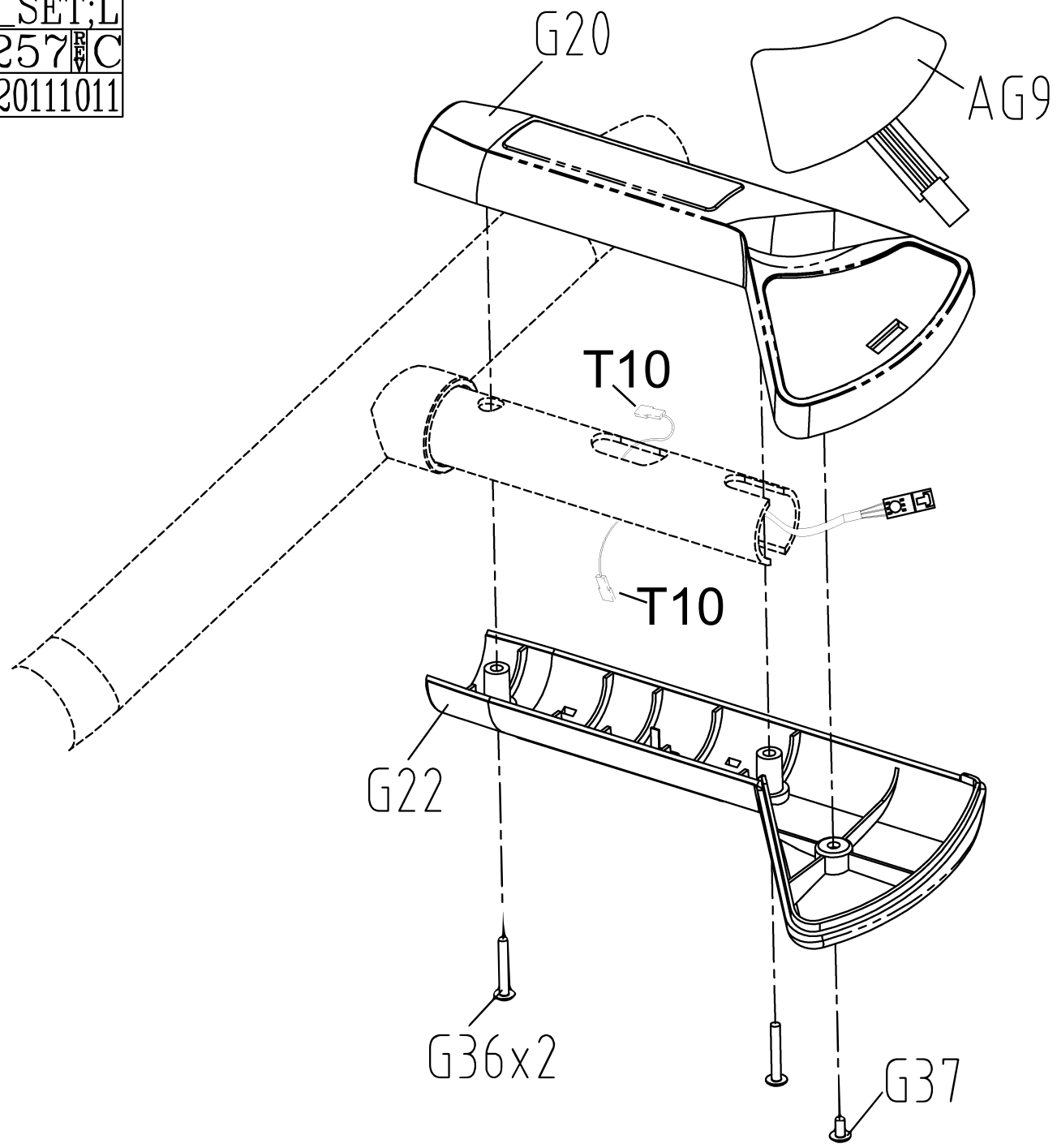
DRAWING NO	CS17-AR7		
PART NAME	SPROCKET_SET;REAR		
PART NO	1000212923		
APPROVE	S.T.C	DATE	20131231



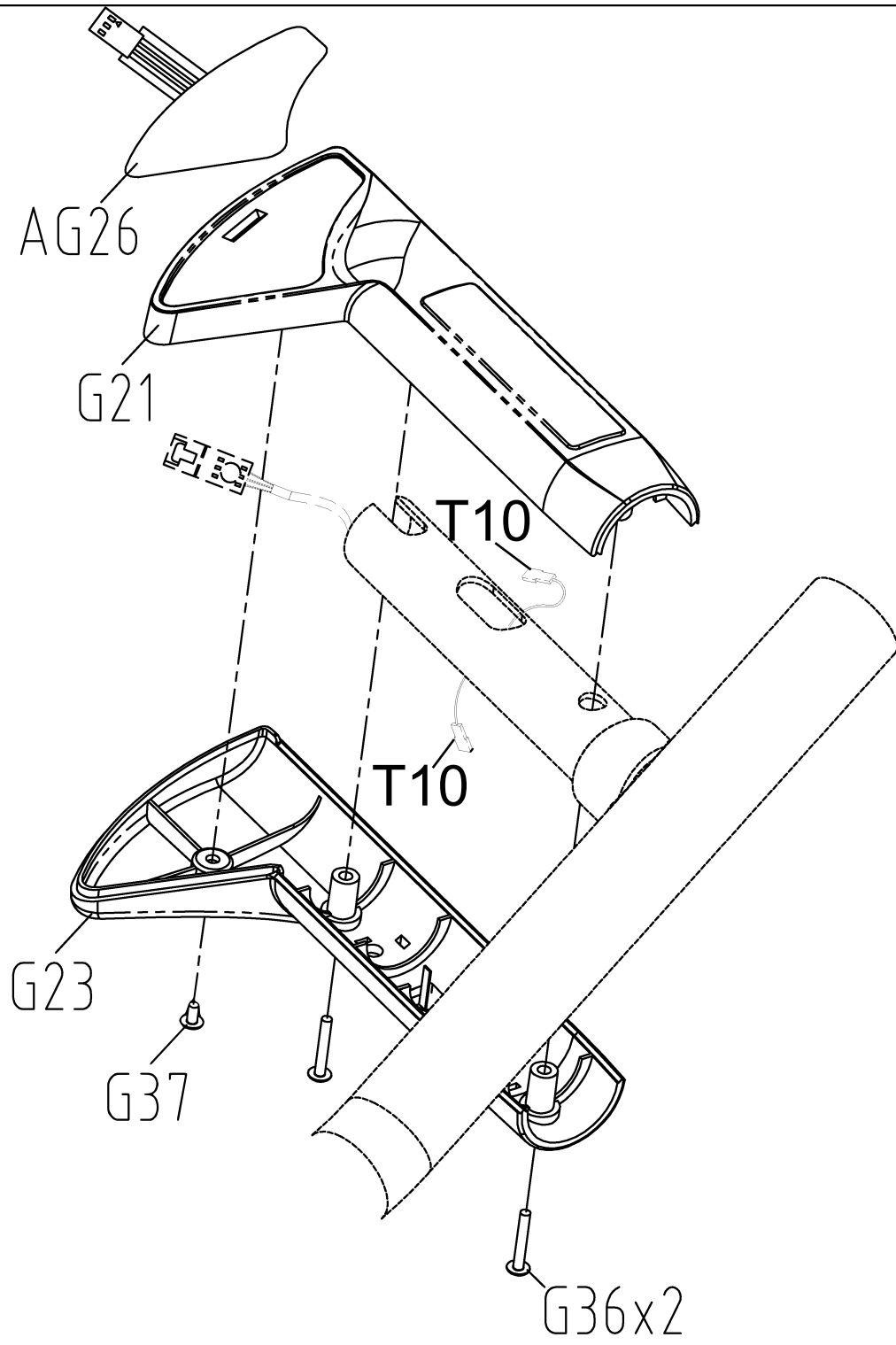
DRAWING NO	CS17-AR11		
PART NAME	DRIVE SET		
PART NO	1000209259		
APPROVE	S.T.C	DATE	20140528



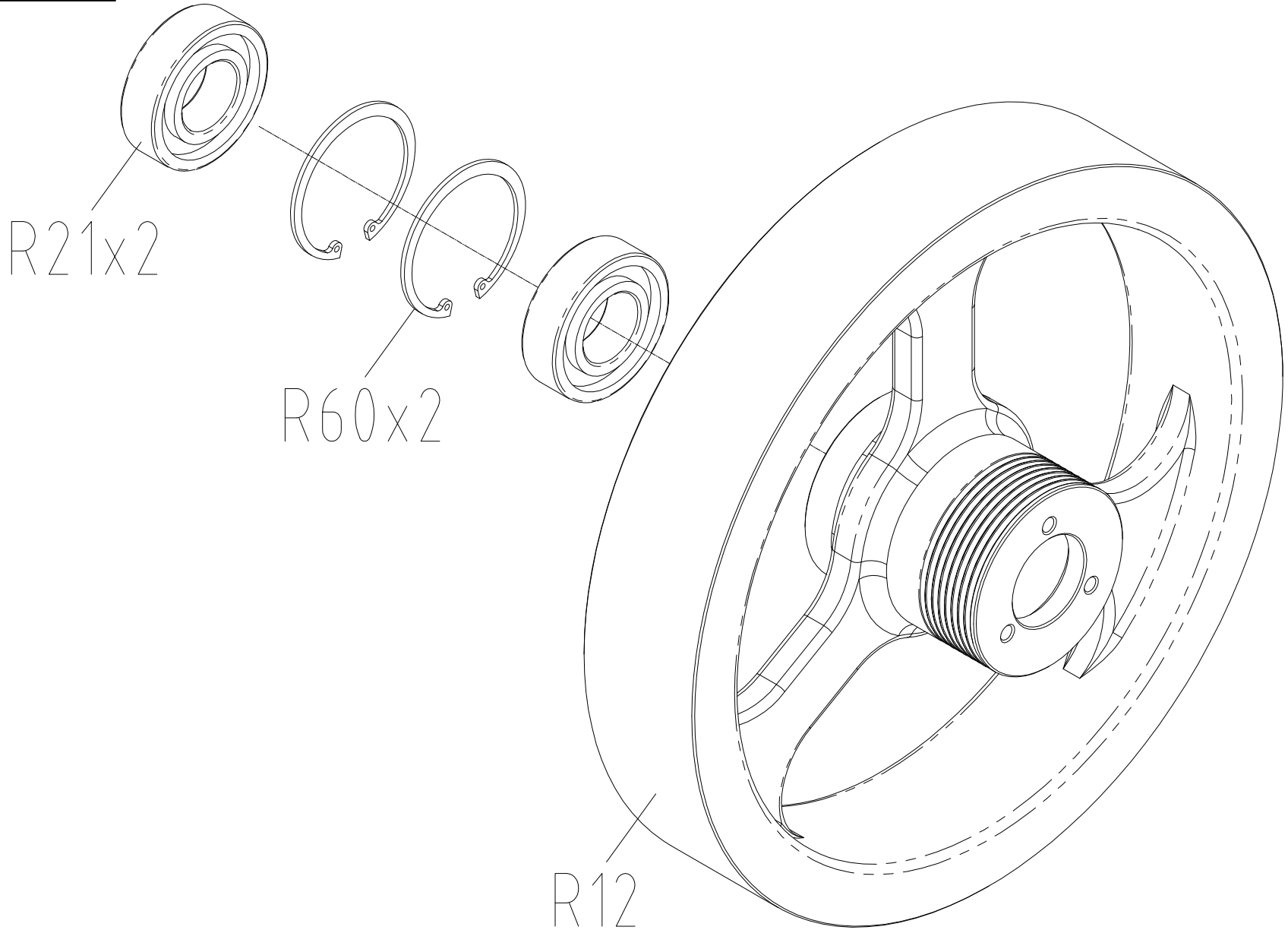
DRAWING NO	CS17-AG19		
PART NAME	HANDGRIP_SET;L		
PART NO	1000209257		C
APPROVE	KEN	DATE	20111011



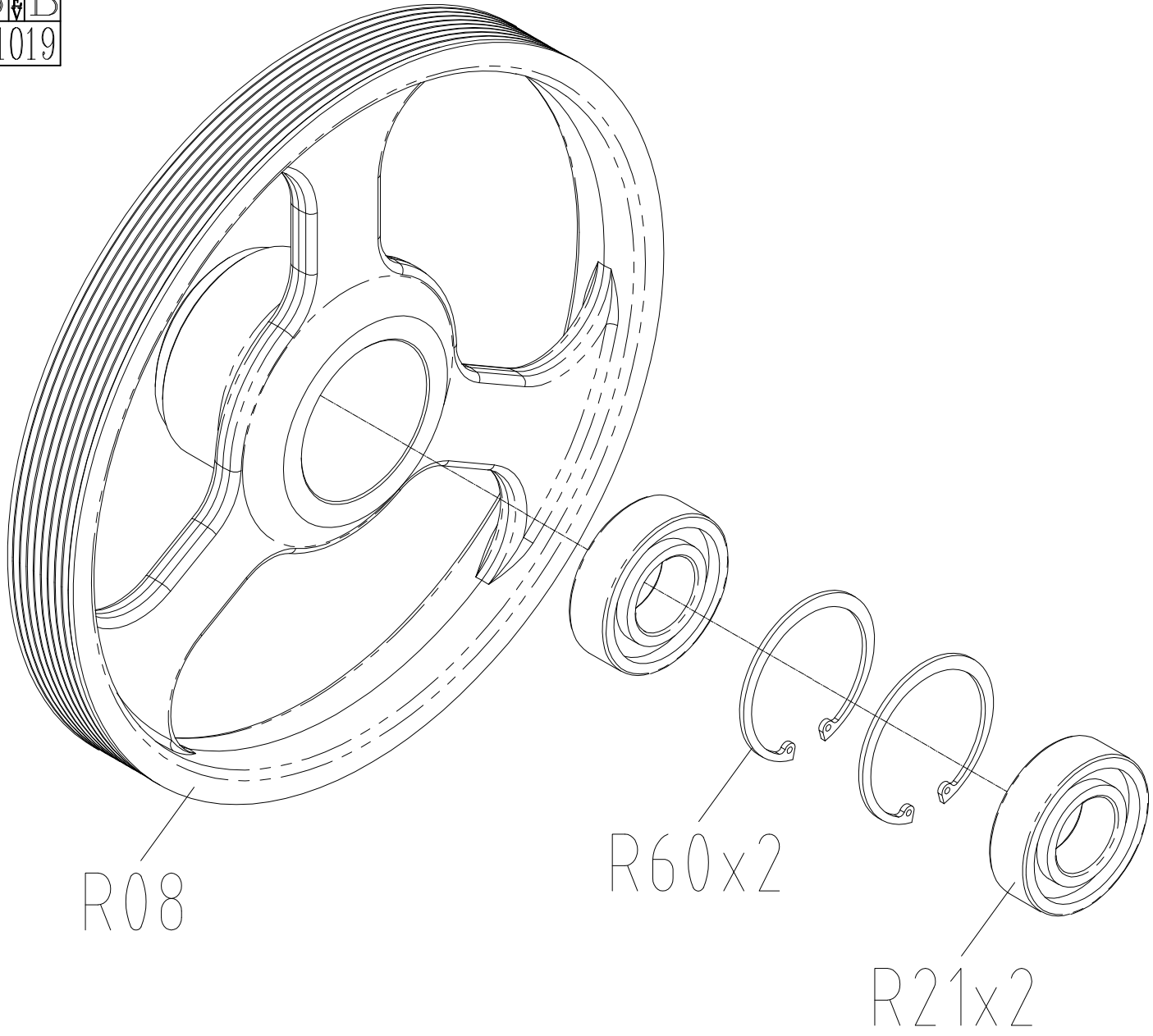
DRAWING NO	CS21-AG21		
PART NAME	HANDGRIP_SET;R		
PART NO	1000229891 A		
APPROVE	KENNY	DATE	20120504



DRAWING NO	CS17-AR5		
PART NAME	FLYWHEEL SET		
PART NO	1000211384	REV	B
APPROVE	JOHNNY	DATE	20111019




DRAWING NO	CS17-AR4		
PART NAME	PULLEY SET		
PART NO	1000212516 REV B		
APPROVE	JOHNNY	DATE	20111019

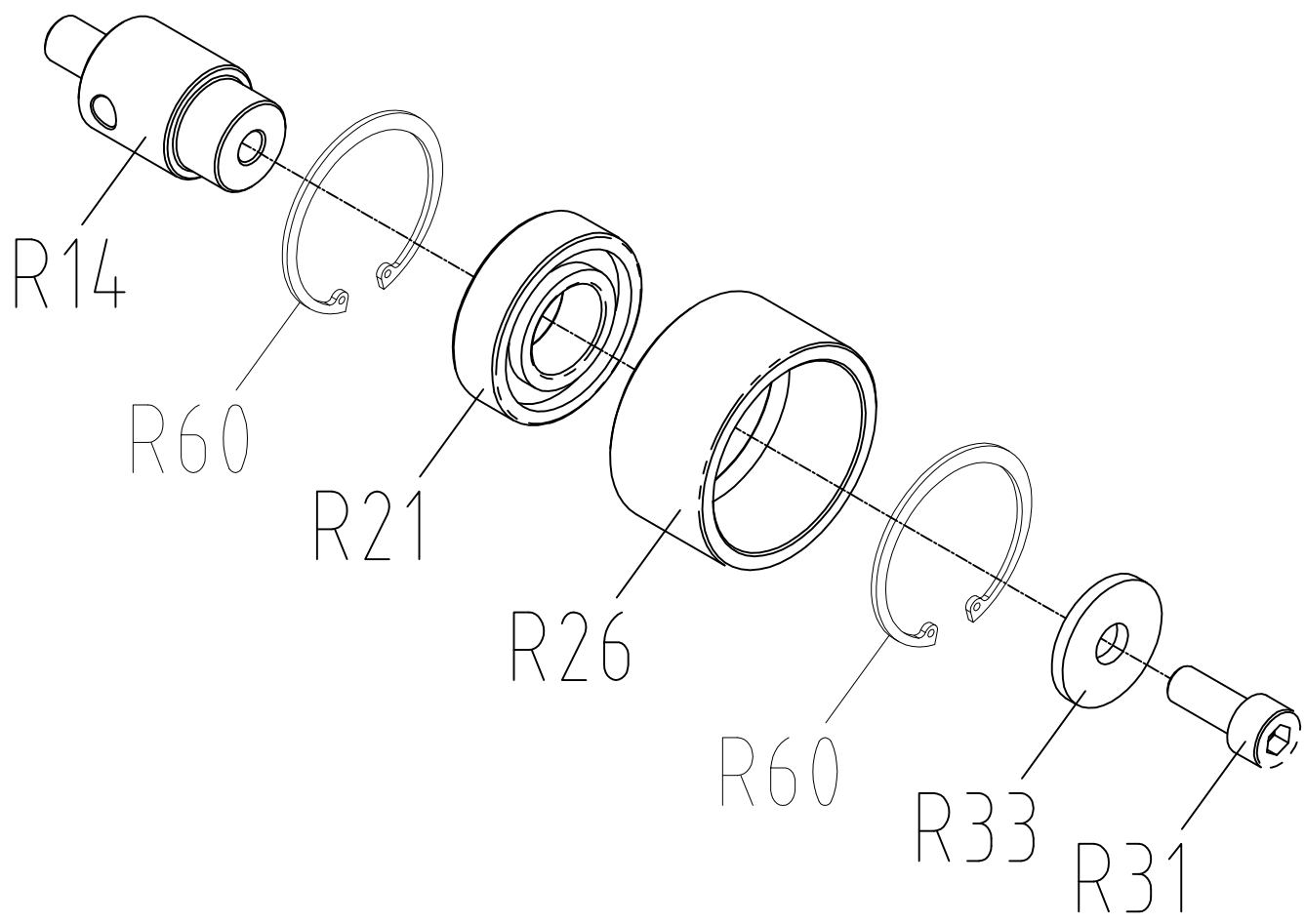


R08

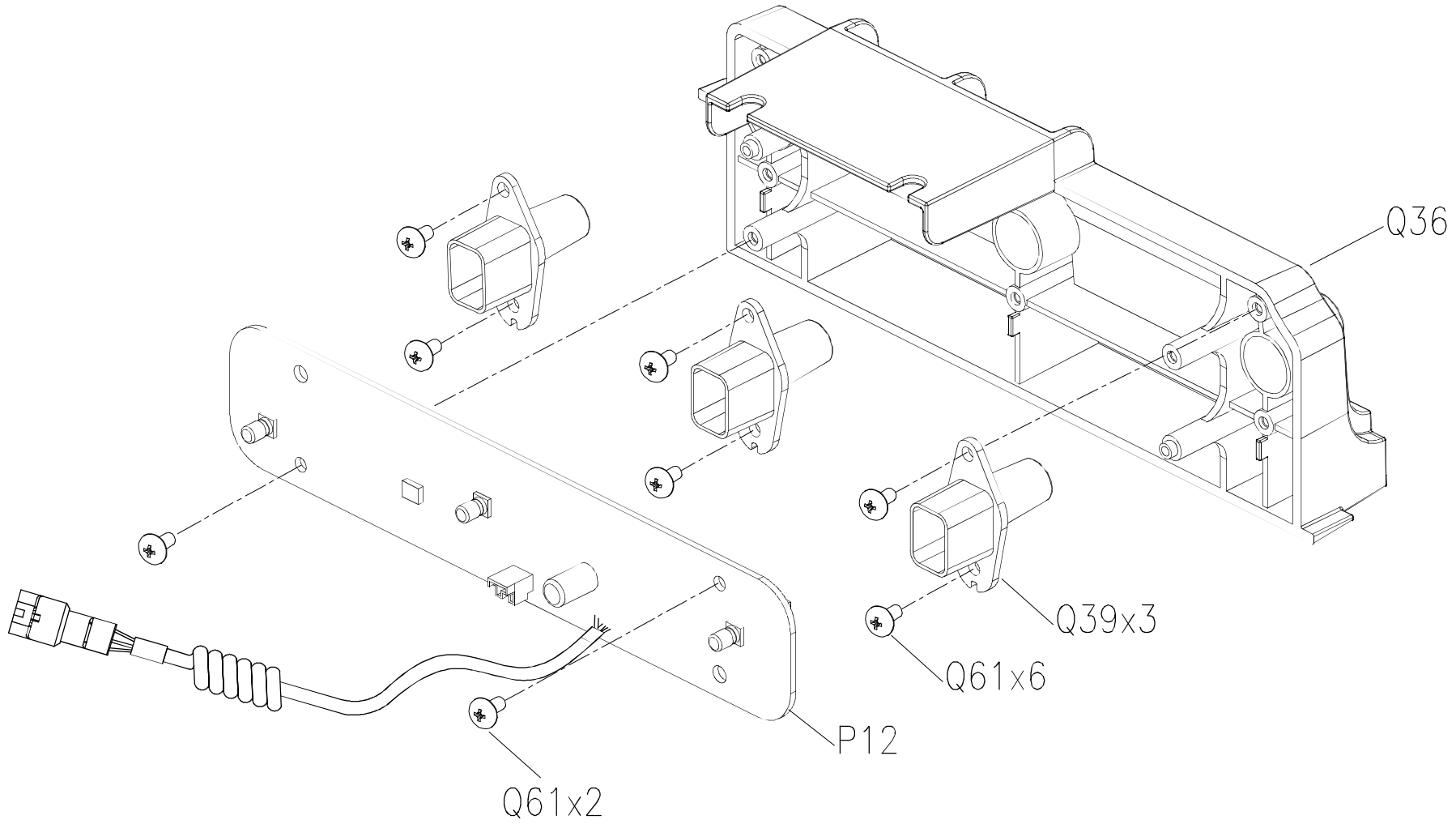
R60x2

R21x2

DRAWING NO	CS17-AR9		
PART NAME	IDLER_SET		
PART NO	1000217719  B		
APPROVE	JOHNNY	DATE	20111020



DRAWING NO	CS24-AQ61		
PART NAME	Connect board set;Receiver;left		
PART NO	1000337952 R/A		
APPROVE	Kyle	DATE	121913



DRAWING NO	CS24-AQ62		
PART NAME	Connect board set;Transmission:right		
PART NO	1000337953 R/A		
APPROVE	Kyle	DATE	121913

