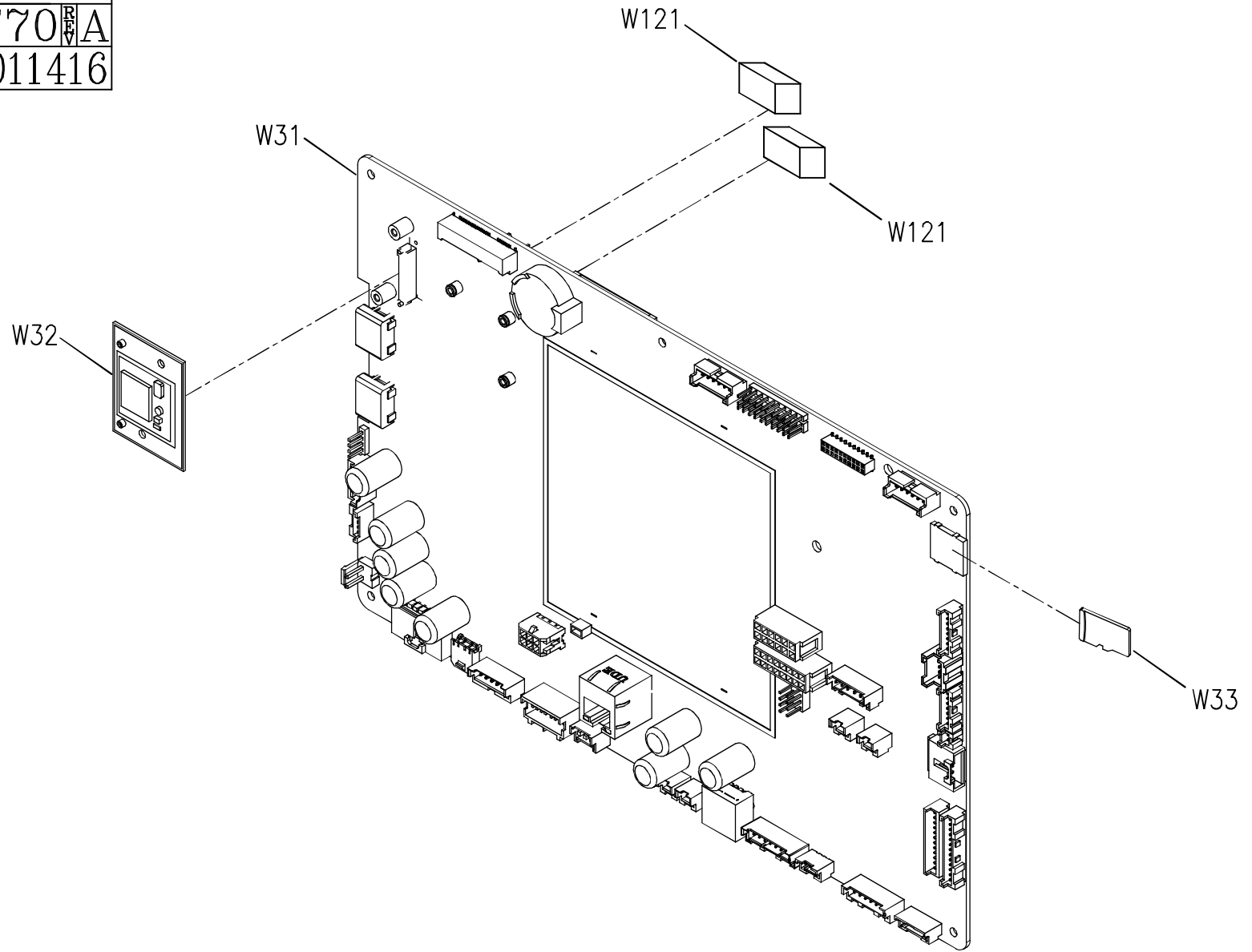
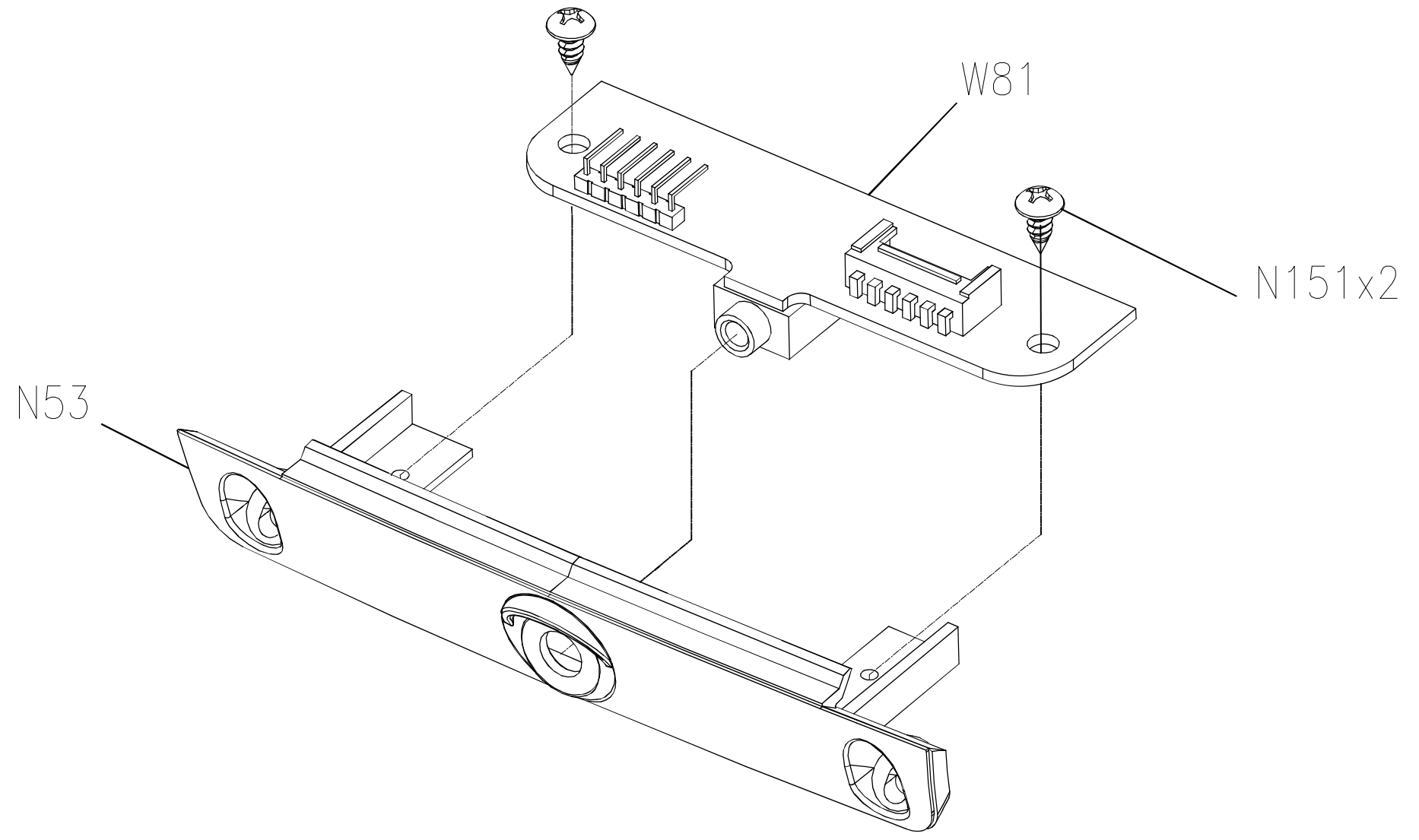


DRAWING NO	EP620C-AW31		
PART NAME	Control Board Set		
PART NO	1000381770A		
APPROVE	Nature	DATE	011416



DRAWING NO	EP620-AN31		
PART NAME	Earphone board set		
PART NO	1000366515  B		
APPROVE	Heady	DATE	2015.06.2



DRAWING NO	EP620B-A04		
PART NAME	ASSEMBLY VIEW		
PART NO	1000381744  A		
APPROVE	Hunter	DATE	010916

SAP PART NO
MEP0600-00
MEP0601-00
MEP0602-00
MEP0603-00
MEP0604-00
MEP0605-00
MEP0606-00
MEP0607-00
MEP0608-00
MEP0609-00
MEP0610-00
MEP0611-00
MEP0612-00
MEP0613-00

21

