
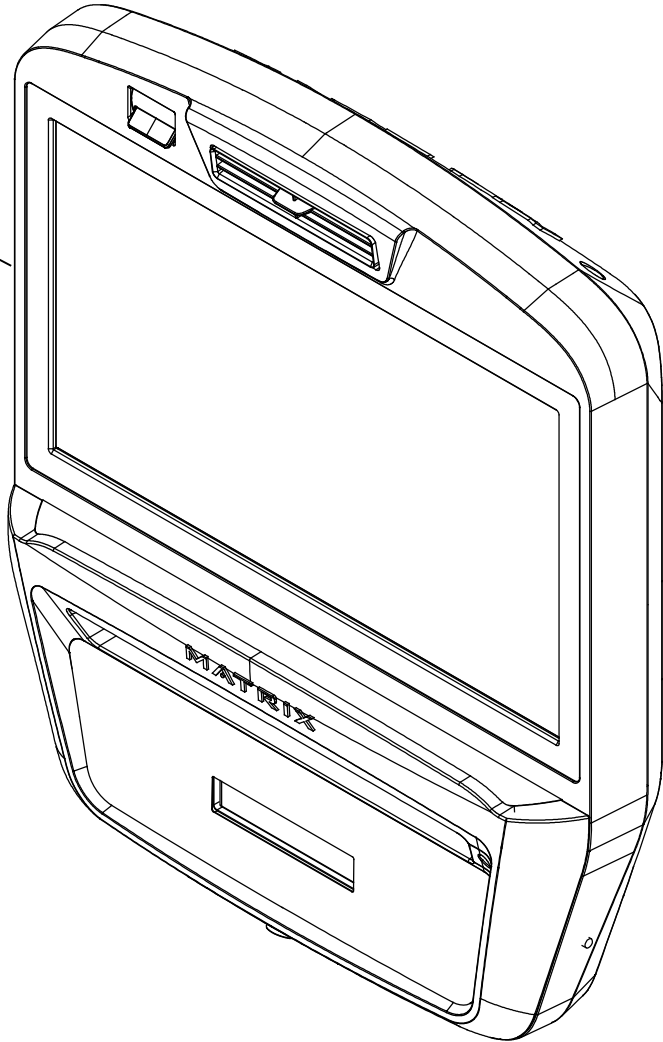


DRAWING NO	EP621G-A04		
PART NAME	ASSEMBLY VIEW		
PART NO	1000438441		A
APPROVE	Sunny	DATE	041219

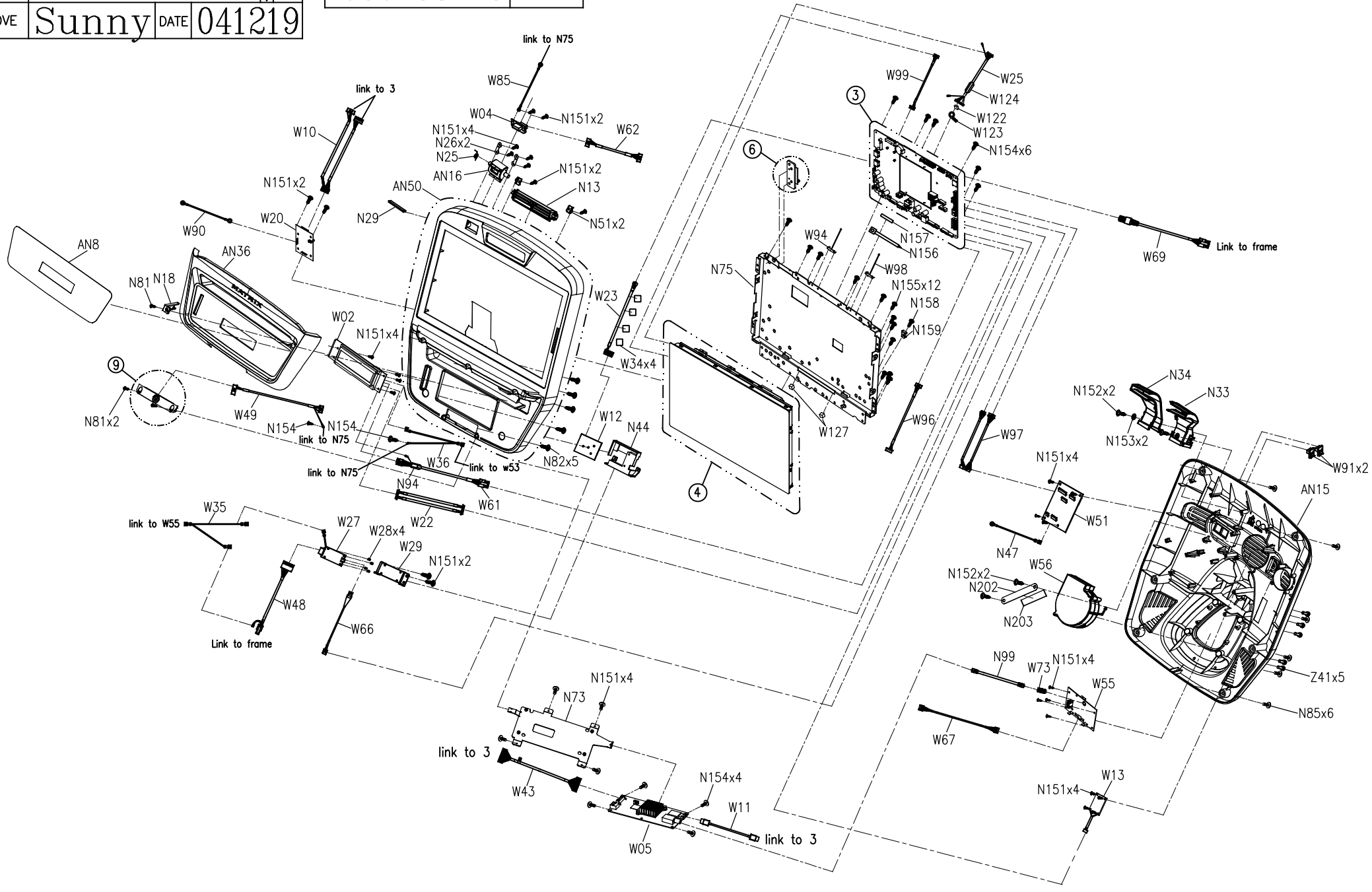
SAP PART NO
MEP1358-00

21



DRAWING NO	EP621G-AN62		
PART NAME	CONSOLE SET ASSEMBLY DRAWING		
PART NO	1000438444	REV	A
APPROVE	Sunny	DATE	041219

1000438443	US5
------------	-----

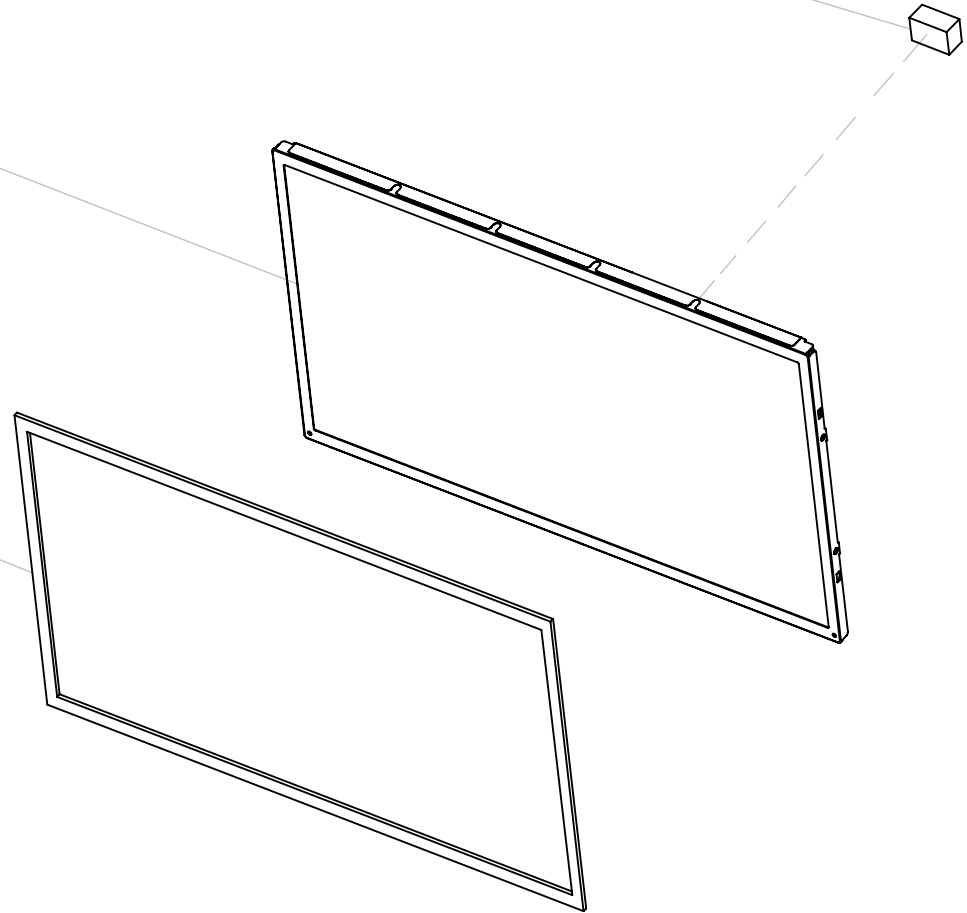


DRAWING NO 圖 號	EP621-W93		
PART NAME(CH) 零件名稱(中文)	TFT-LCD模組		
PART NAME(EN) 零件名稱(英文)	TFT-LCD		
SAP PART NO SAP 料 號	1000356624	REV	C

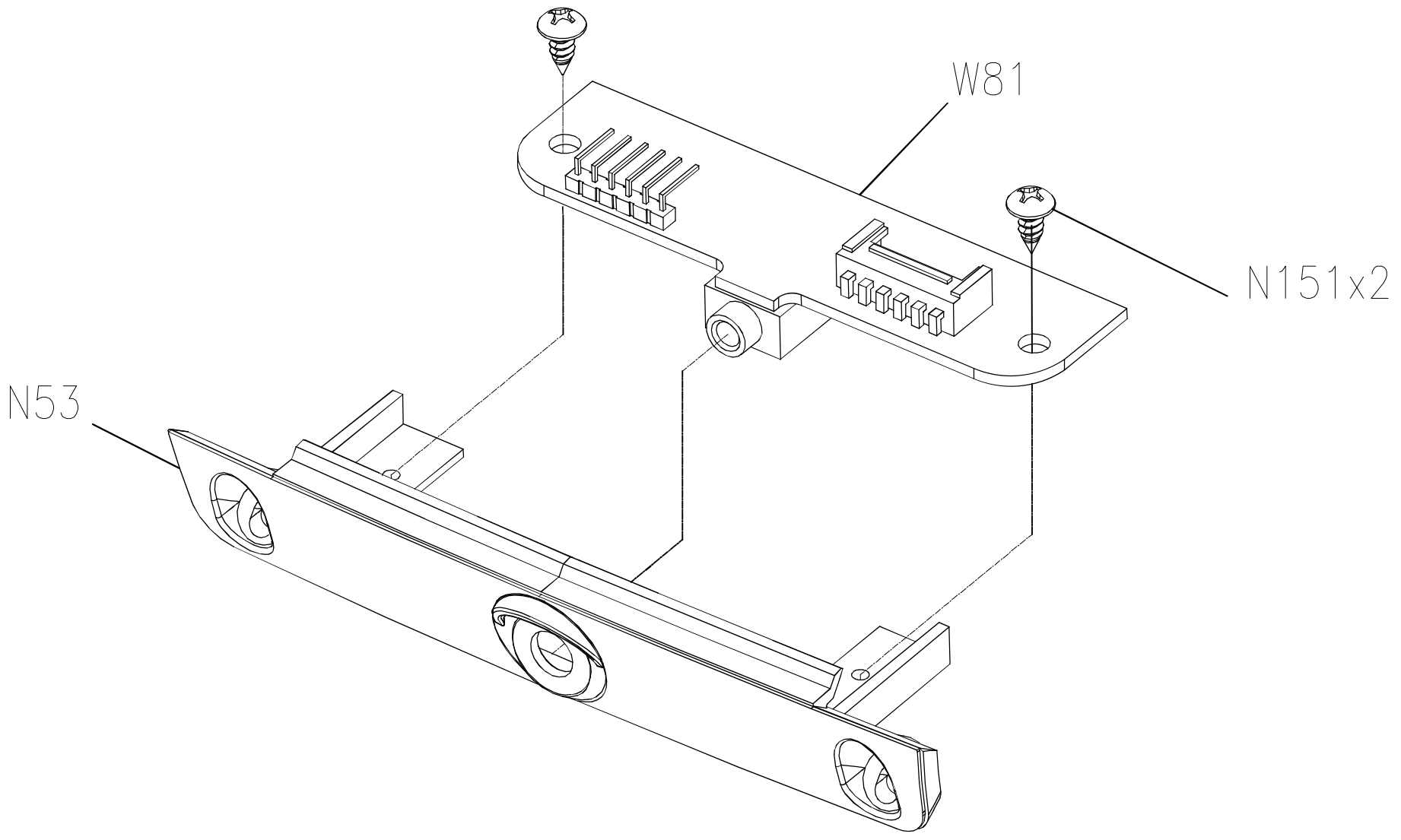
W112

W110

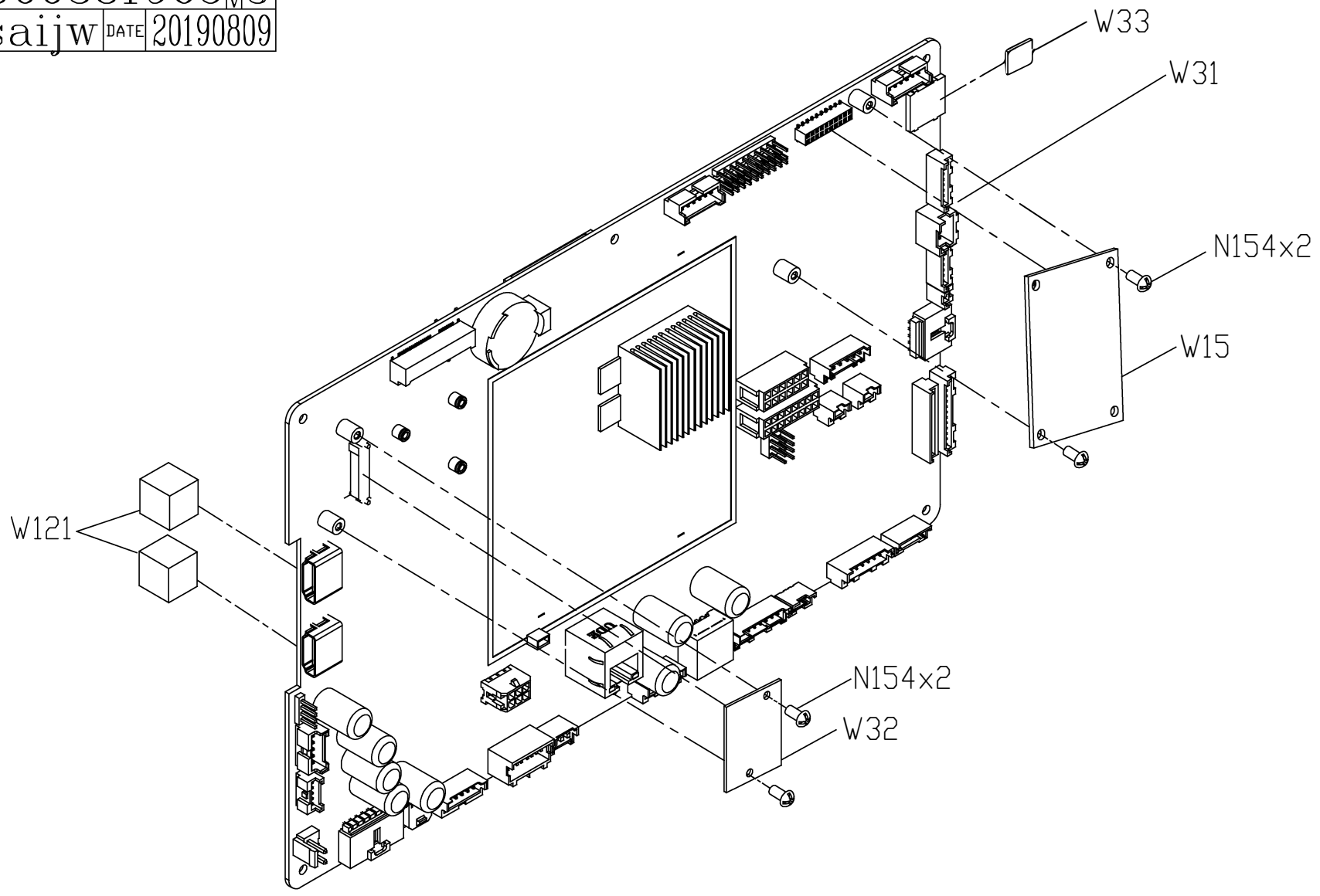
W111



DRAWING NO	EP620-AN31		
PART NAME	Earphone board set		
PART NO	1000366515  B		
APPROVE	Heady	DATE	2015.06.2



DRAWING NO	EP621B-AW31		
PART NAME	Control Board Set		
PART NO	1000381965	REV	J
APPROVE	tsaijw	DATE	20190809



DRAWING NO	EP620K-AW32		
PART NAME	Control Board set ; Gymkit		
PART NO	1000418737  D		
APPROVE	Allen	DATE	062018

