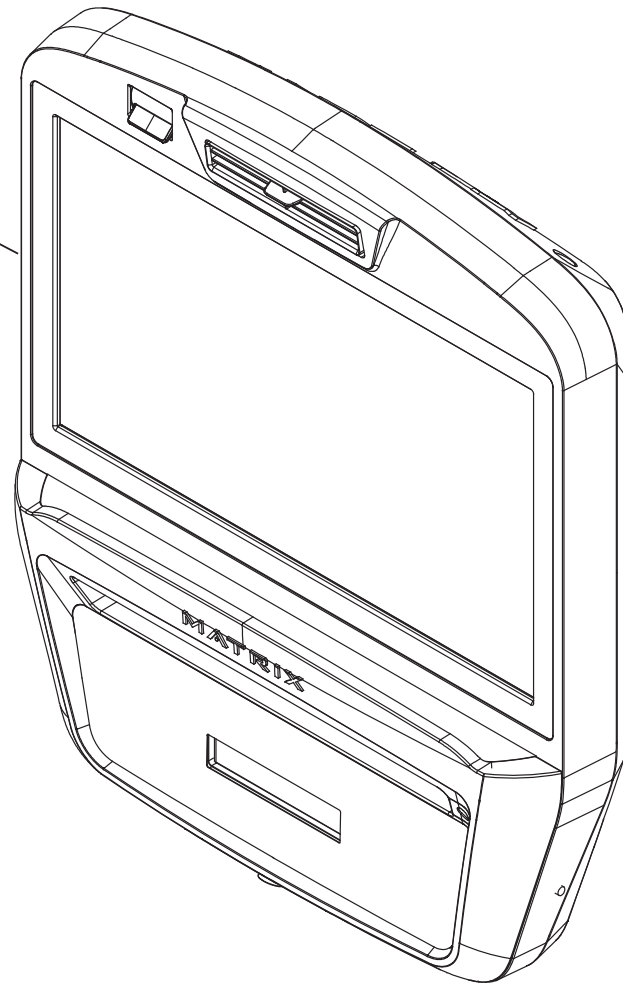


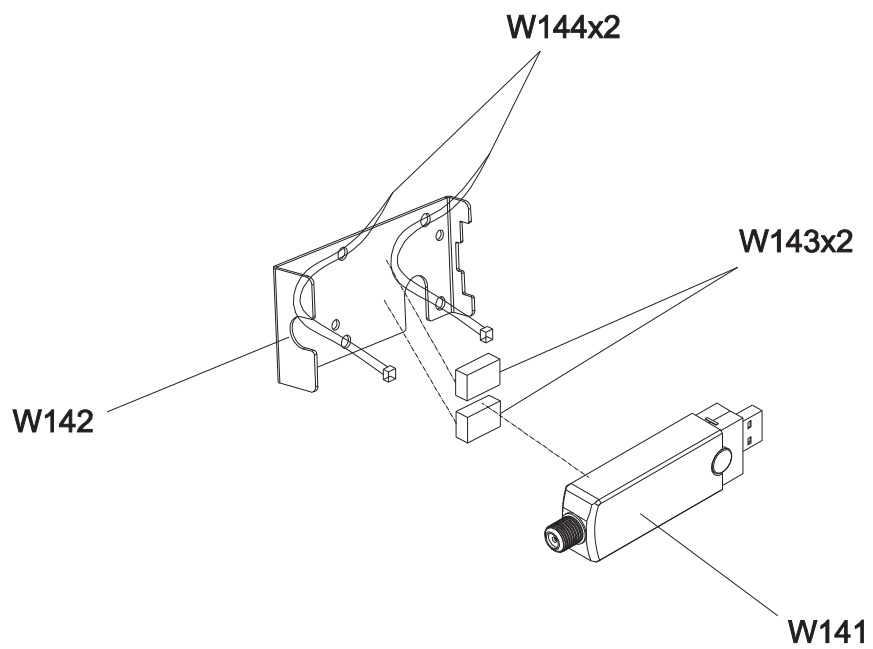
DRAWING NO	EP621F-A04		
PART NAME	ASSEMBLY VIEW		
PART NO	1000426089  A		
APPROVE	Allen	DATE	062018

21

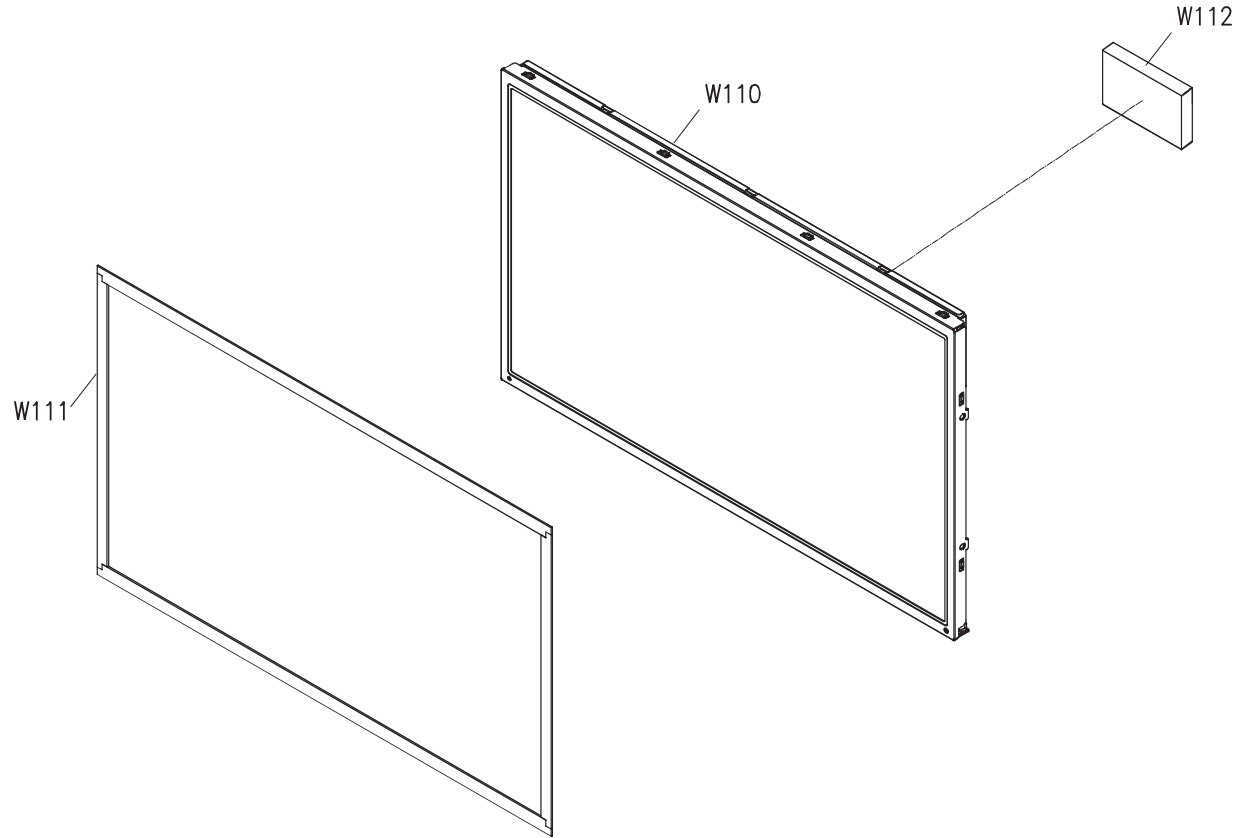


SAP PART NO
MEP1226-00
MEP1227-00
MEP1228-00
MEP1229-00

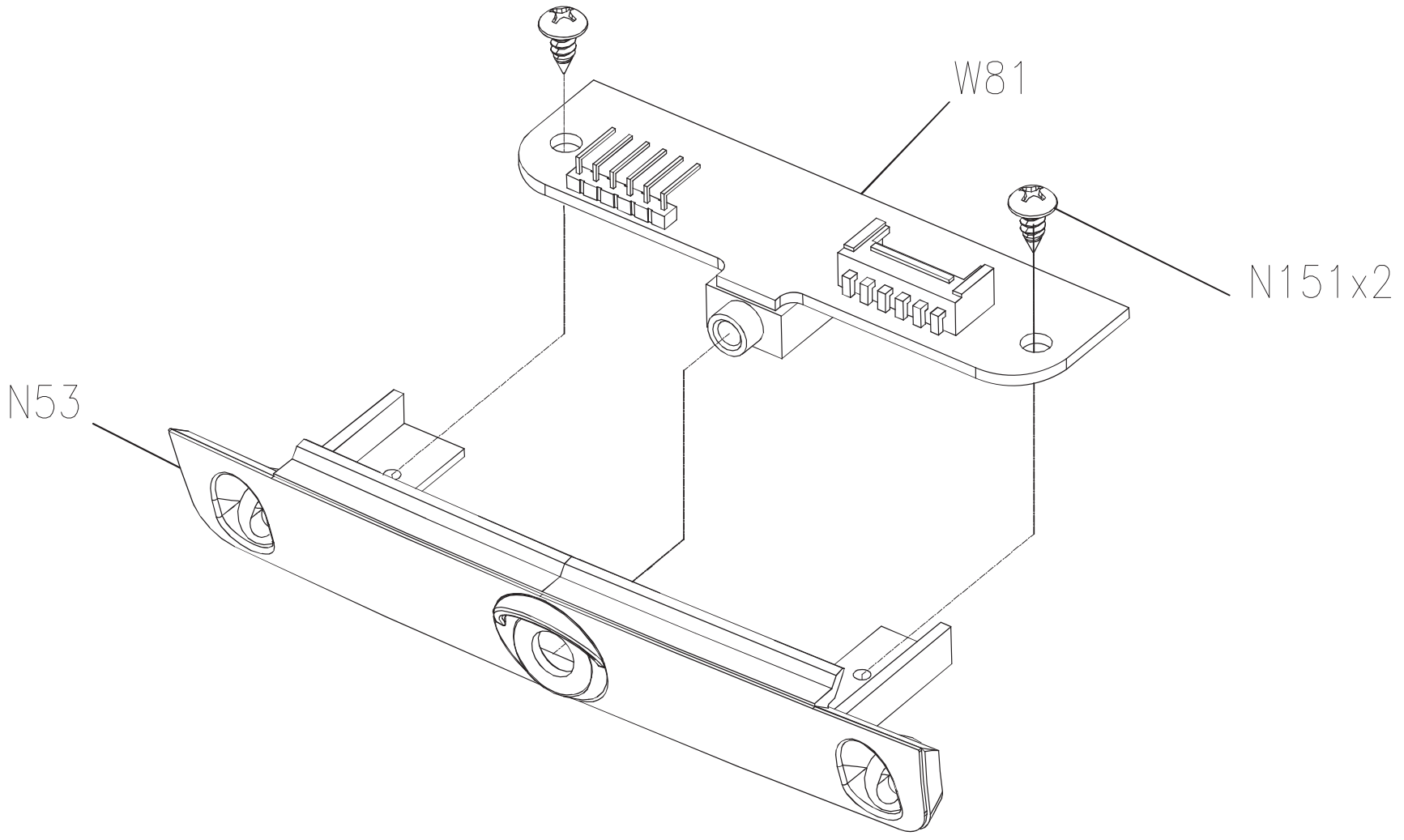
DRAWING NO	EP614C-AW51		
PART NAME	TV STICK SET		
PART NO	1000356574	REV	C
APPROVE	Dragon Long	DATE	2016.6.20



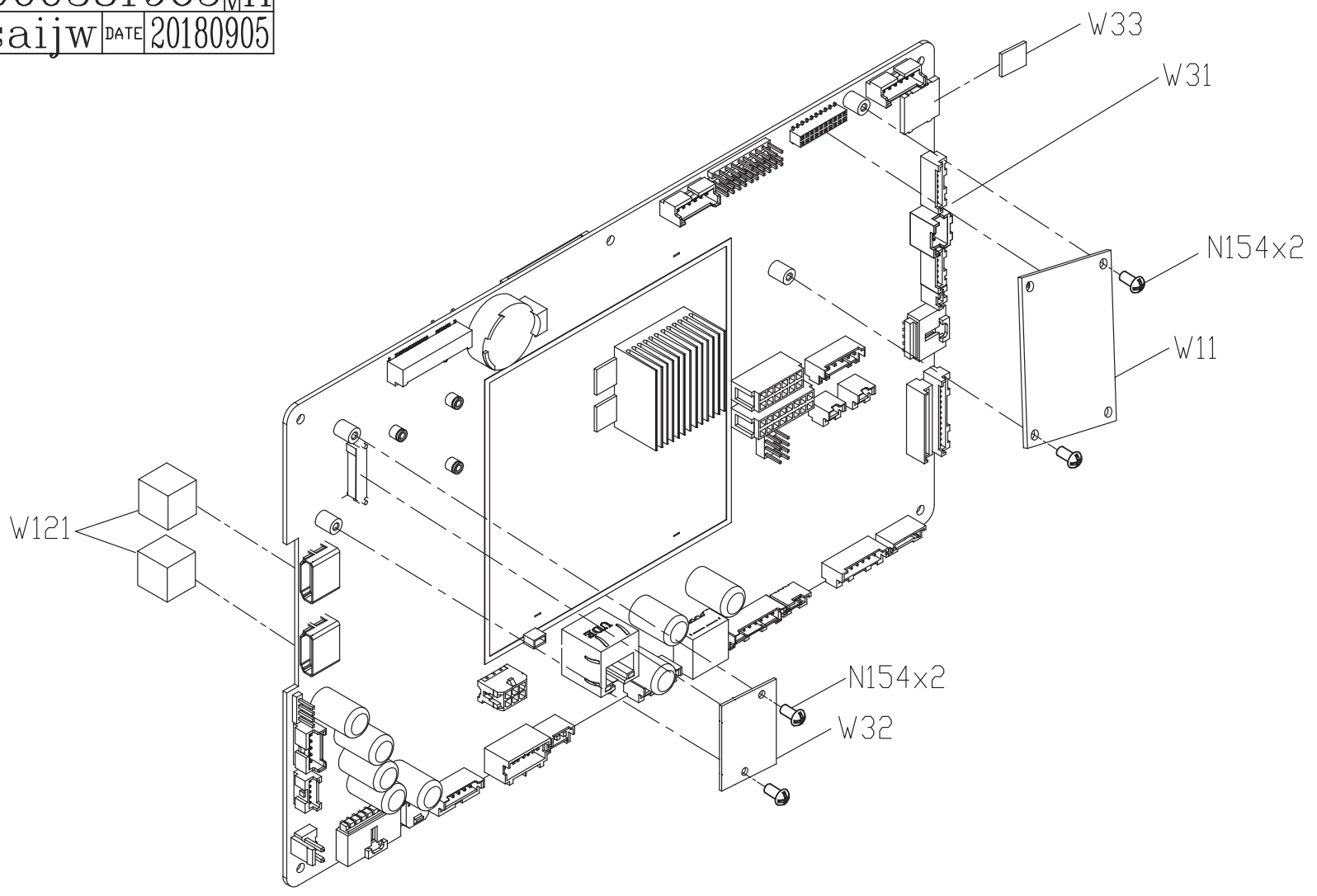
DRAWING NO	EP621-W93		
PART NAME	TFT-LCD module set;15.6 inch		
PART NO	1000356624 ^R / _V B		
APPROVE	Hsinyen	DATE	051316



DRAWING NO	EP620-AN31		
PART NAME	Earphone board set		
PART NO	1000366515  B		
APPROVE	Heady	DATE	2015.06.2



DRAWING NO	EP621B-AW31		
PART NAME	Control Board Set		
PART NO	1000381965 R/H		
APPROVE	tsaijw	DATE	20180905



DRAWING NO	EP620K-AW32		
PART NAME	Control Board set ; Gymkit		
PART NO	1000418737 <small>REV D</small>		
APPROVE	Allen	DATE	062018

