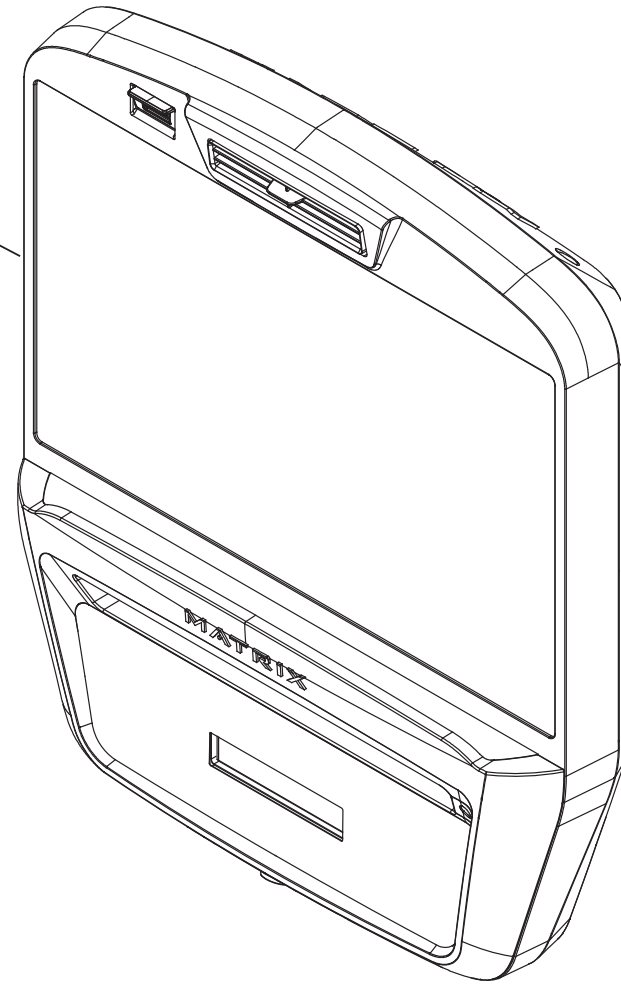


DRAWING NO	EP621C-A15		
PART NAME	ASSEMBLY VIEW		
PART NO	1000421705	REV	A
APPROVE	Castiel	DATE	030518

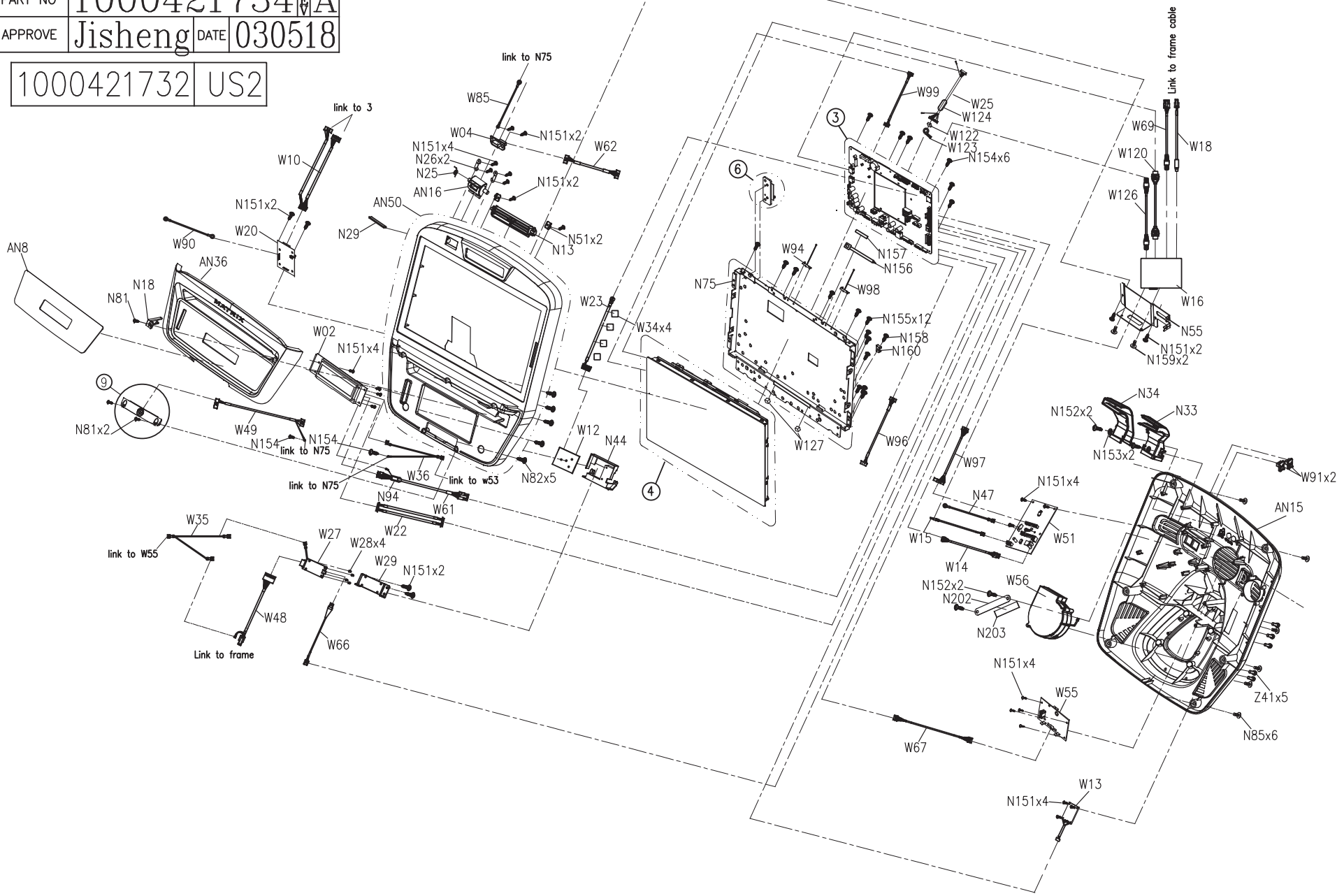
21



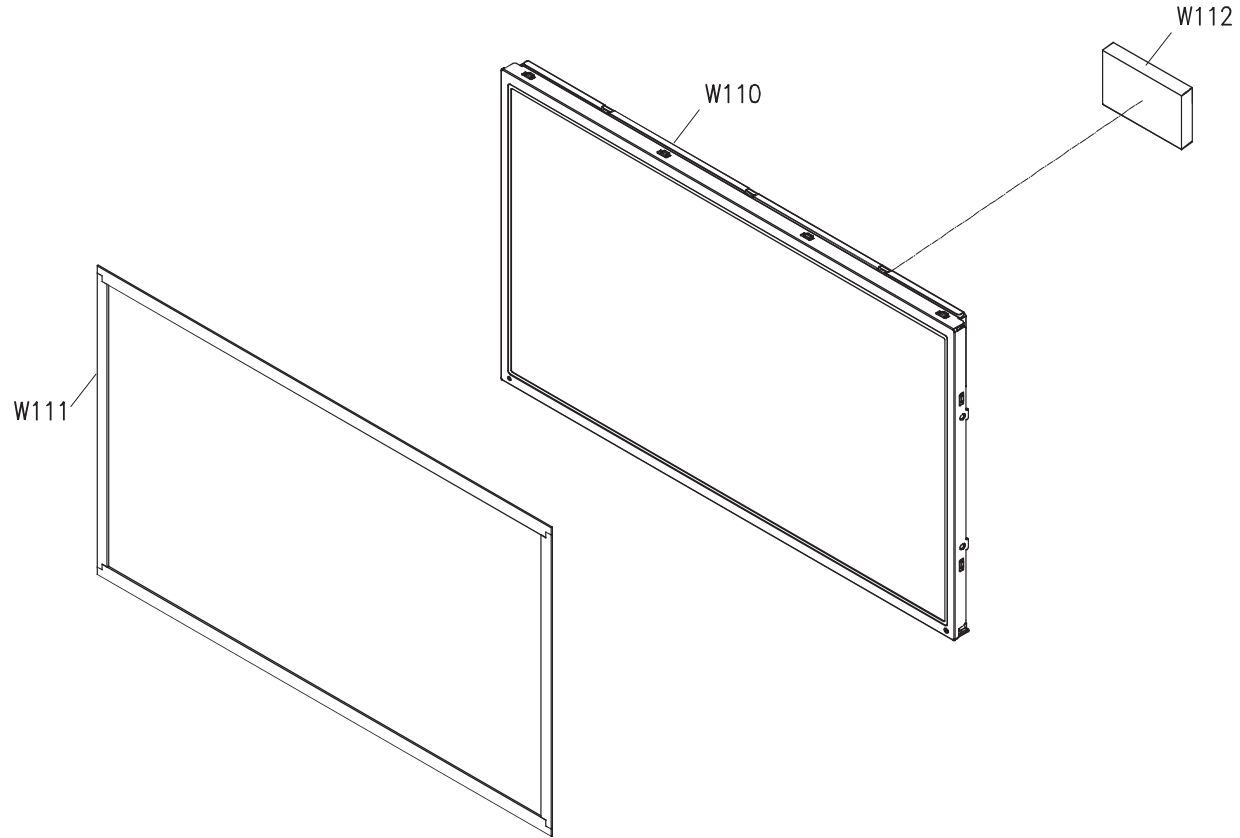
SAP PART NO
MEP1212-00
MEP1213-00

DRAWING NO	EP621C-AN61		
PART NAME	CONSOLE SET		
PART NO	1000421734	REV	A
APPROVE	Jisheng	DATE	030518

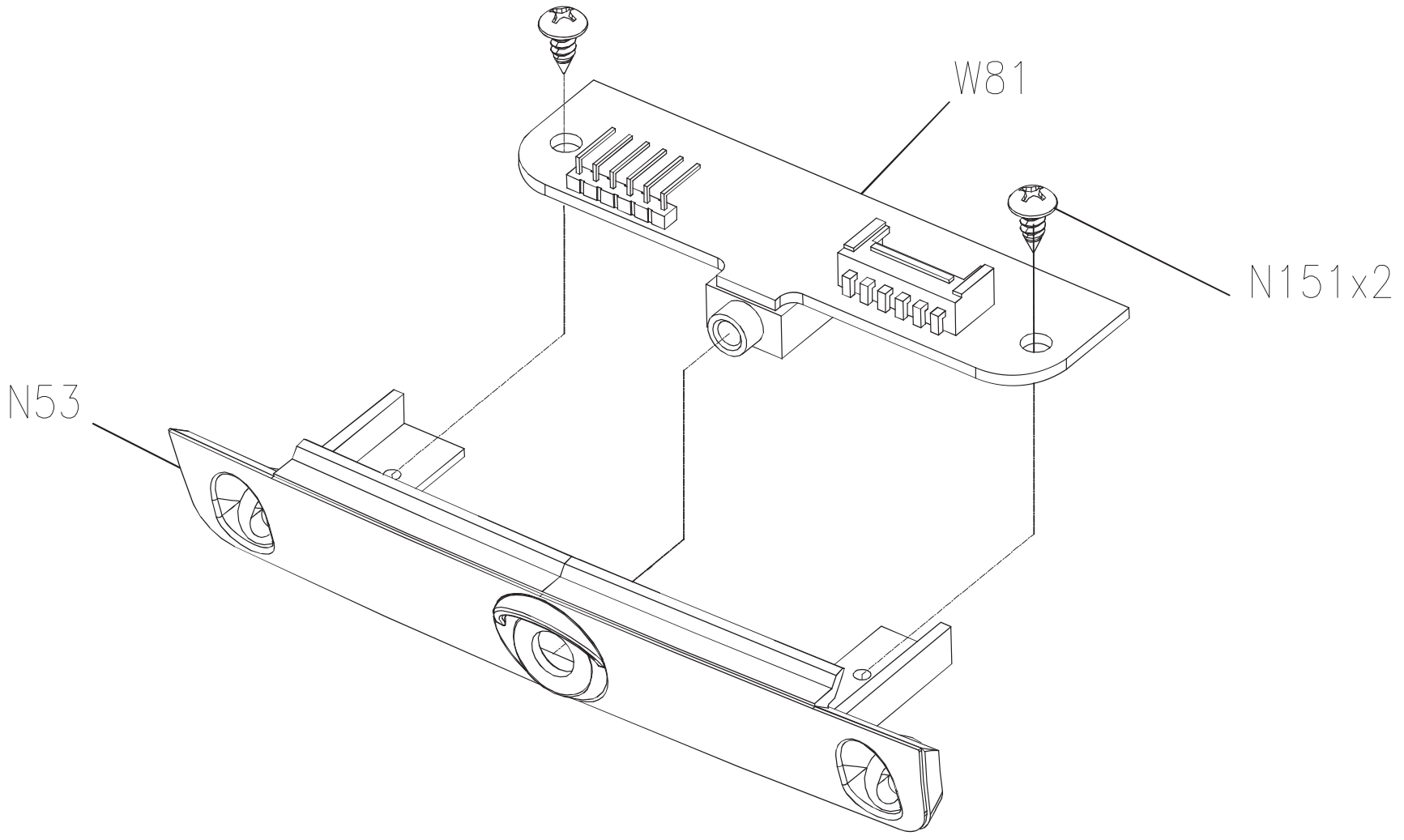
1000421732 US2



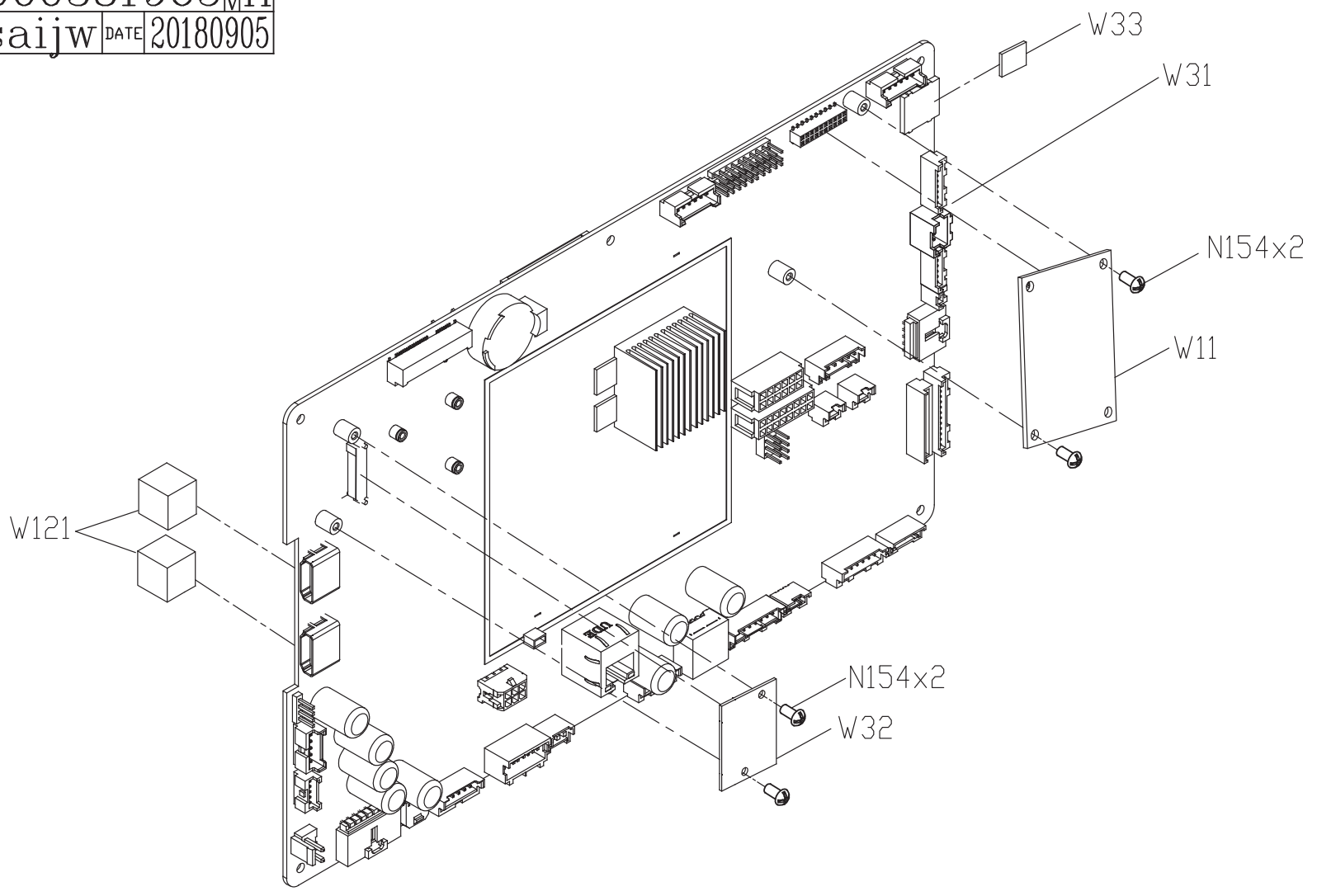
DRAWING NO	EP621-W93		
PART NAME	TFT-LCD module set;15.6 inch		
PART NO	1000356624 ^R _B		
APPROVE	Hsinyen	DATE	051316



DRAWING NO	EP620-AN31		
PART NAME	Earphone board set		
PART NO	1000366515  B		
APPROVE	Heady	DATE	2015.06.2



DRAWING NO	EP621B-AW31		
PART NAME	Control Board Set		
PART NO	1000381965 R/H		
APPROVE	tsaijw	DATE	20180905



DRAWING NO	EP620K-AW32		
PART NAME	Control Board set ; Gymkit		
PART NO	1000418737 <small>REV D</small>		
APPROVE	Allen	DATE	062018

