
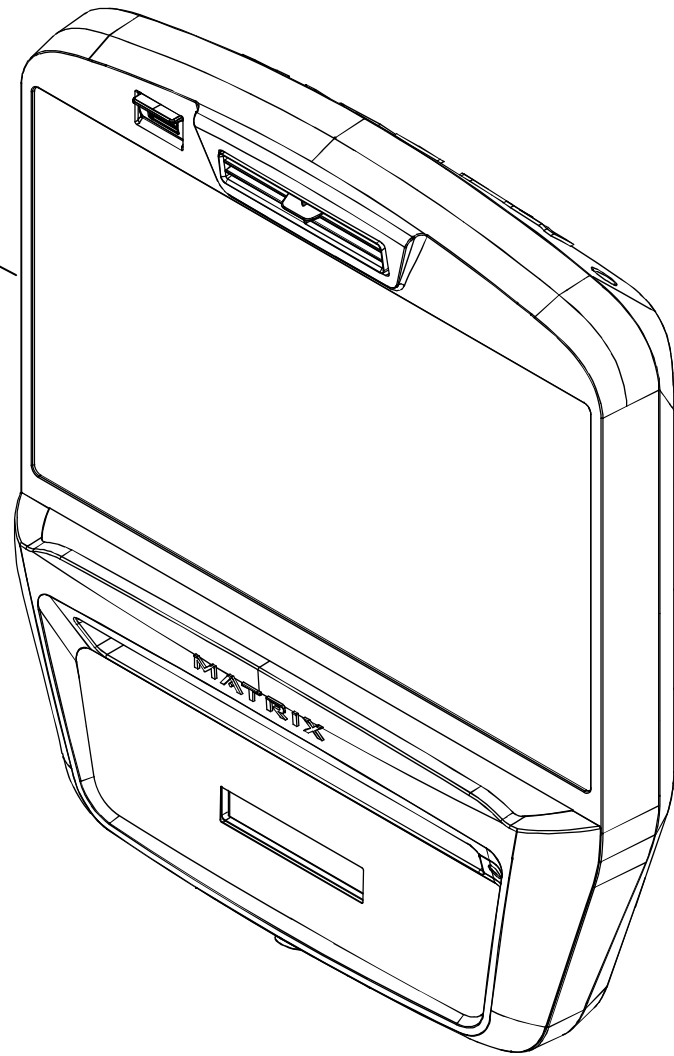


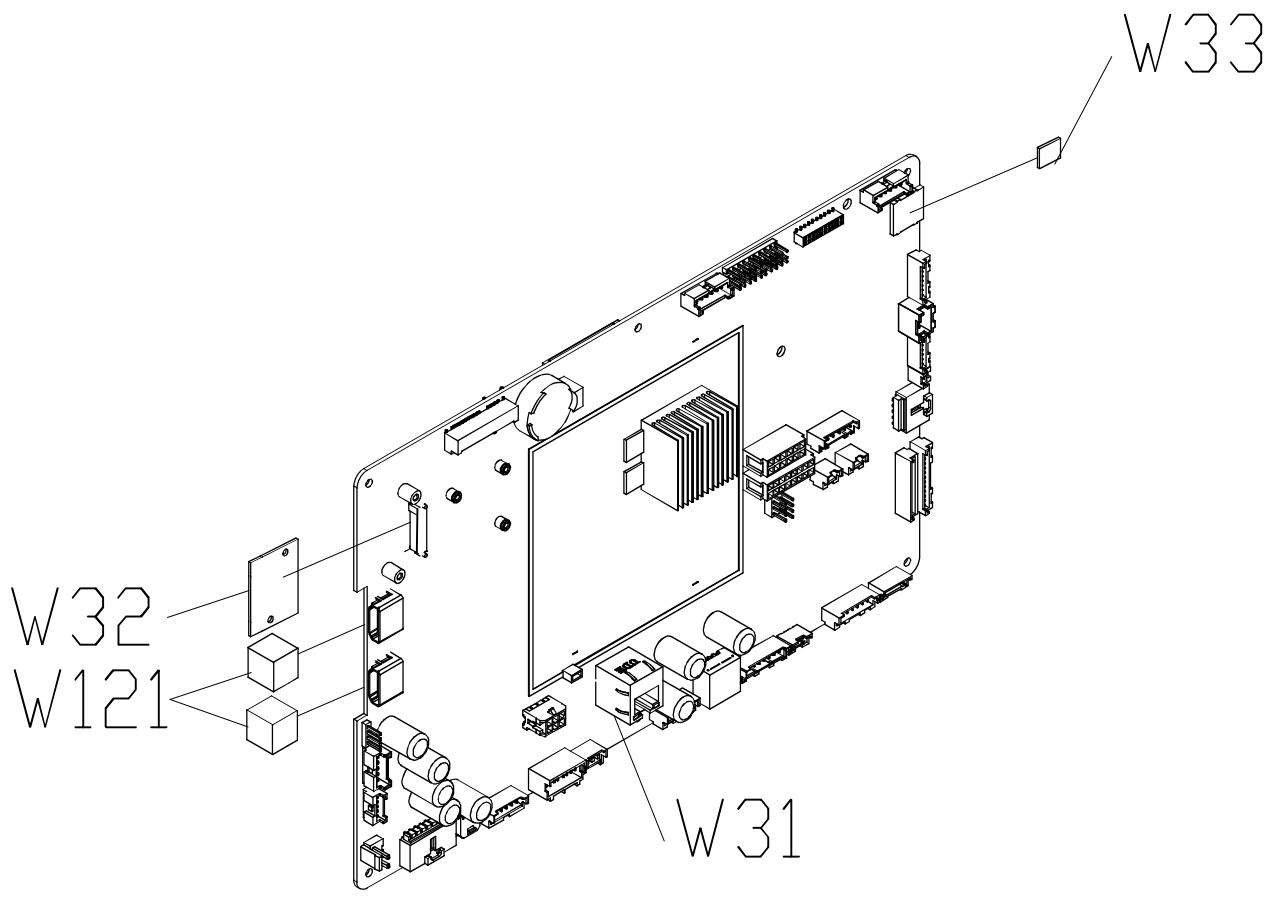
DRAWING NO	EP621-A15		
PART NAME	ASSEMBLY VIEW		
PART NO	1000375887		A
APPROVE	Hunter	DATE	111415

21

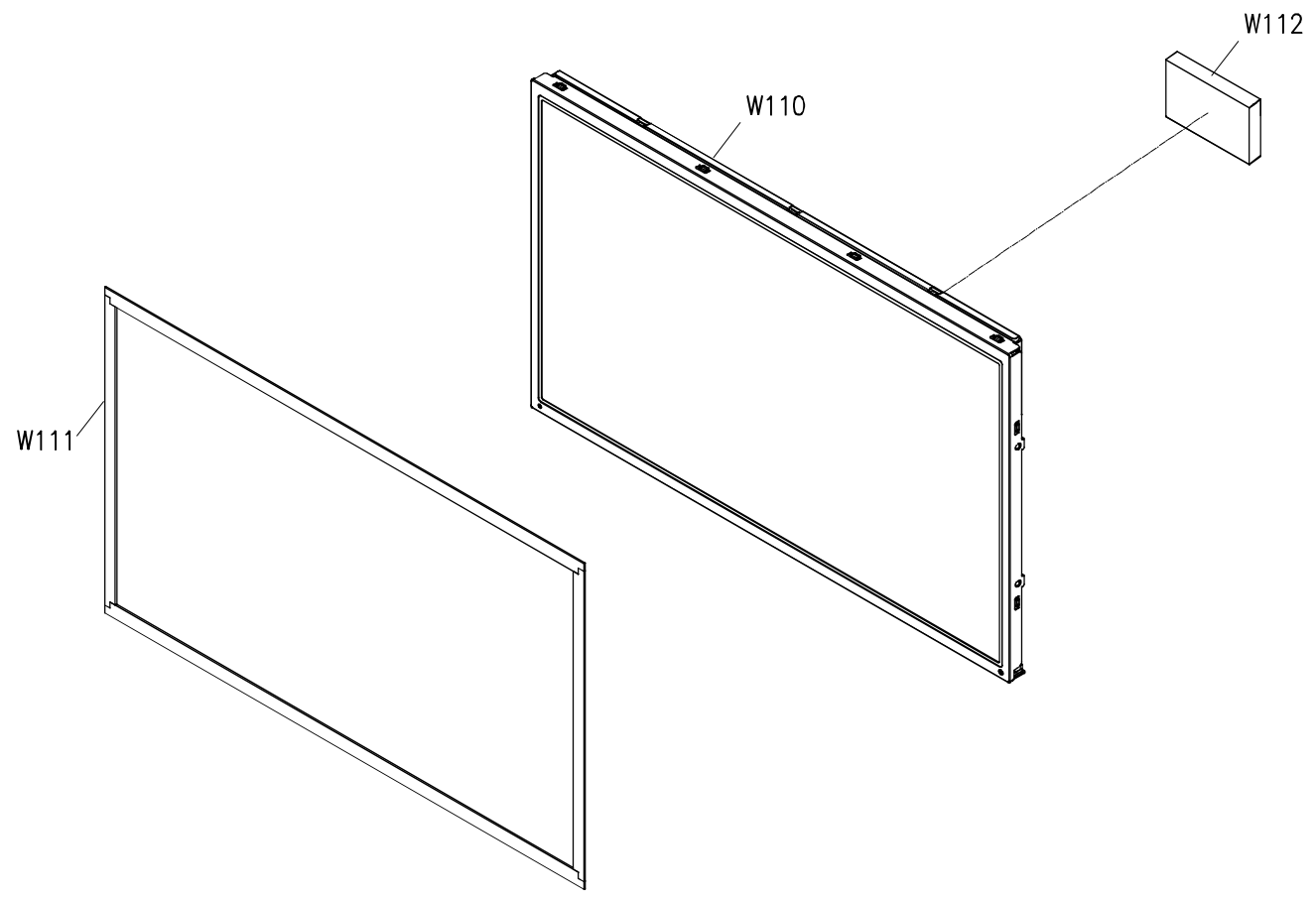


SAP PART NO
MEP0590-00
MEP0592-00

DRAWING NO	EP621-AW31		
PART NAME	Control Board Set		
PART NO	1000356607		
APPROVE	Hsinyen	DATE	092715



DRAWING NO	EP621-W93		
PART NAME	TFT-LCD module set;15.6 inch		
PART NO	1000356624 REV B		
APPROVE	Hsinyen	DATE	051316



DRAWING NO	EP620-AN31		
PART NAME	Earphone board set		
PART NO	1000366515  B		
APPROVE	Heady	DATE	2015.06.2

