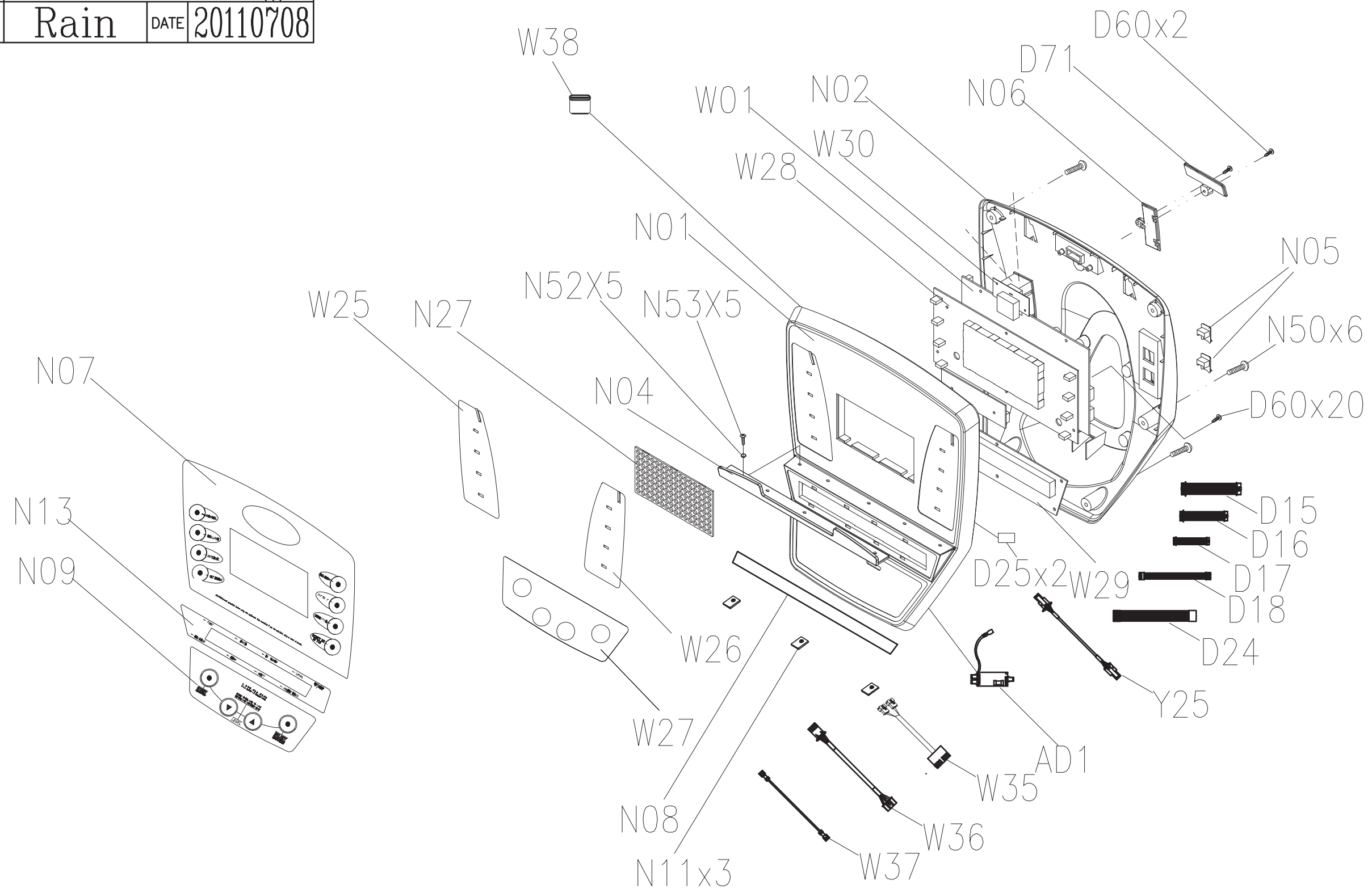
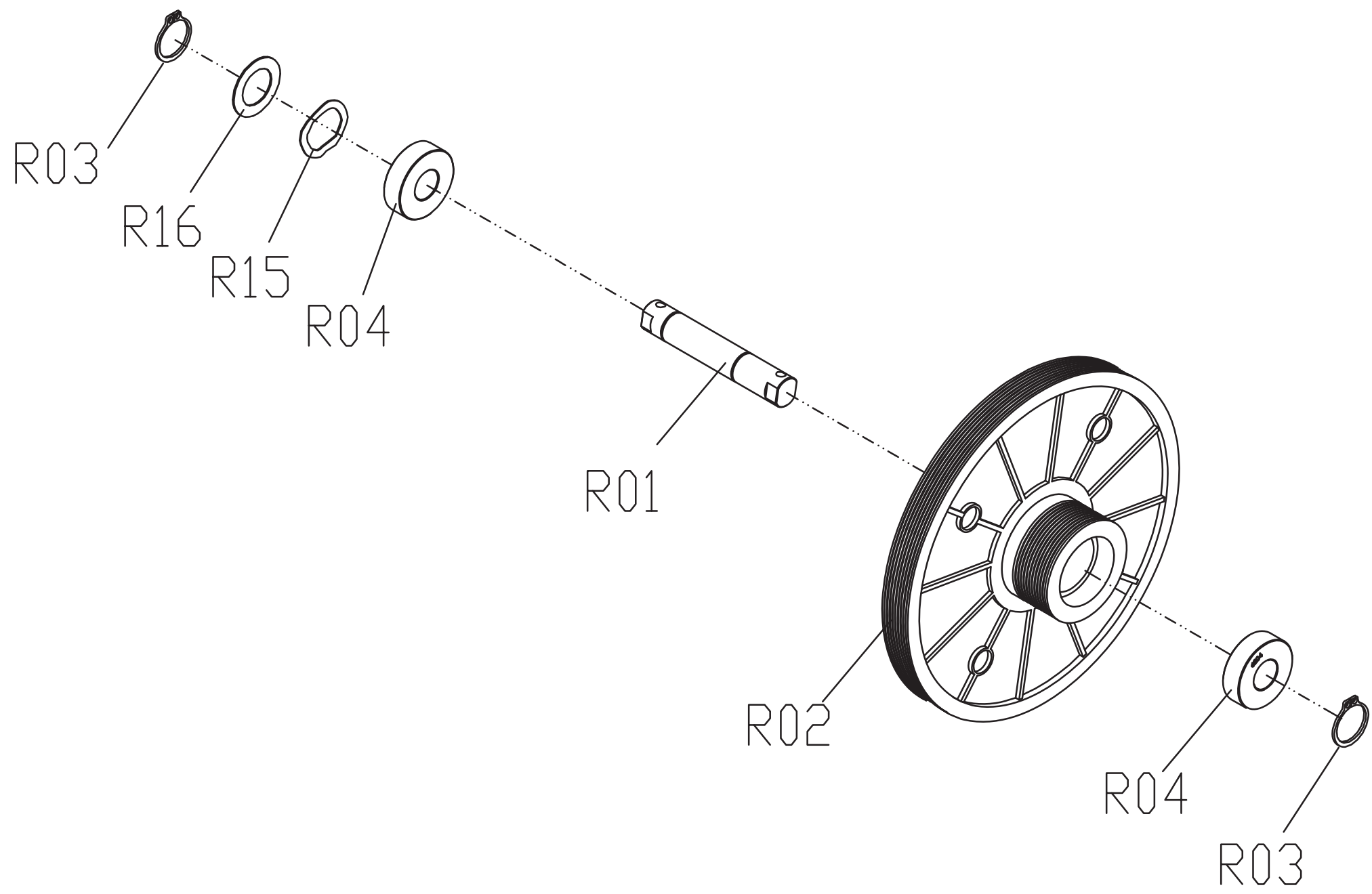




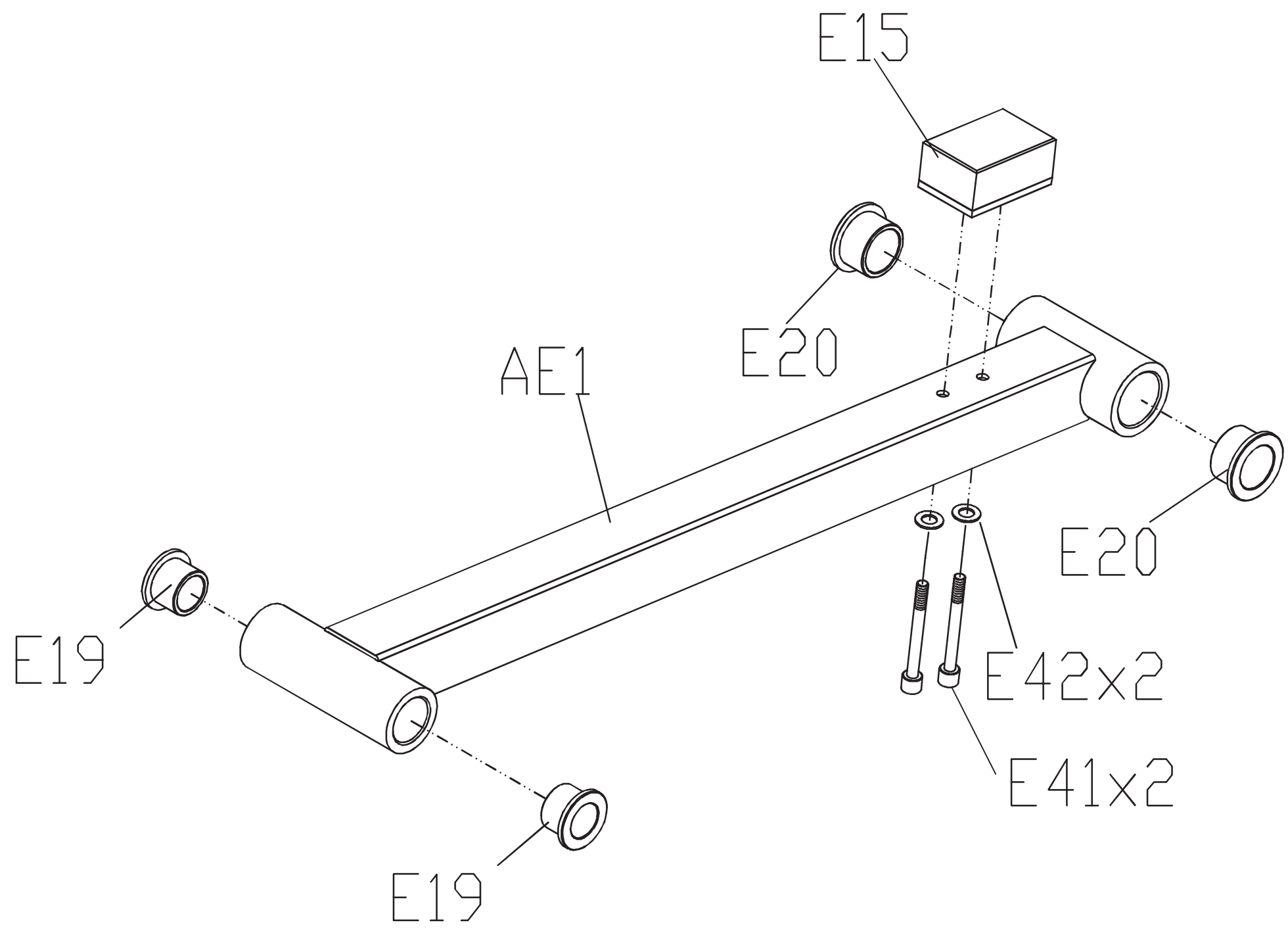
DRAWING NO	CS15-AN1		
PART NAME	CONSOLE SET		
PART NO	0000092484 <small>REV</small> G		
APPROVE	Rain	DATE	20110708



DRAWING NO	CS08-AR1		
PART NAME	Transmission Set		
PART NO	058735-A <sup>R</sup> <sub>E</sub> A		
APPROVE	Rain	DATE	2011.01.18

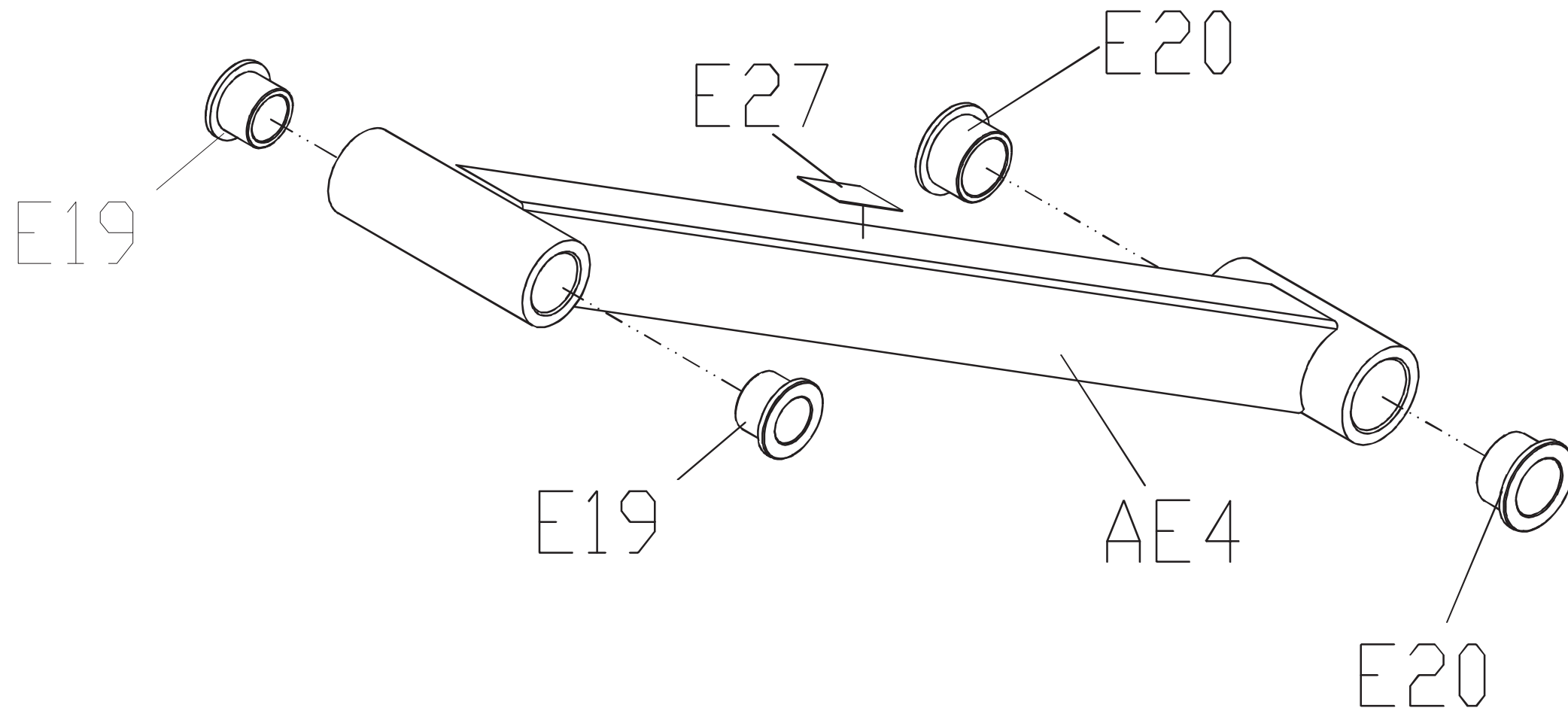


DRAWING NO	CS11-AE6		
PART NAME	PEDAL ARM SET		
PART NO	See attached <sup>REV</sup> E		
APPROVE	JARVIS	DATE	140416



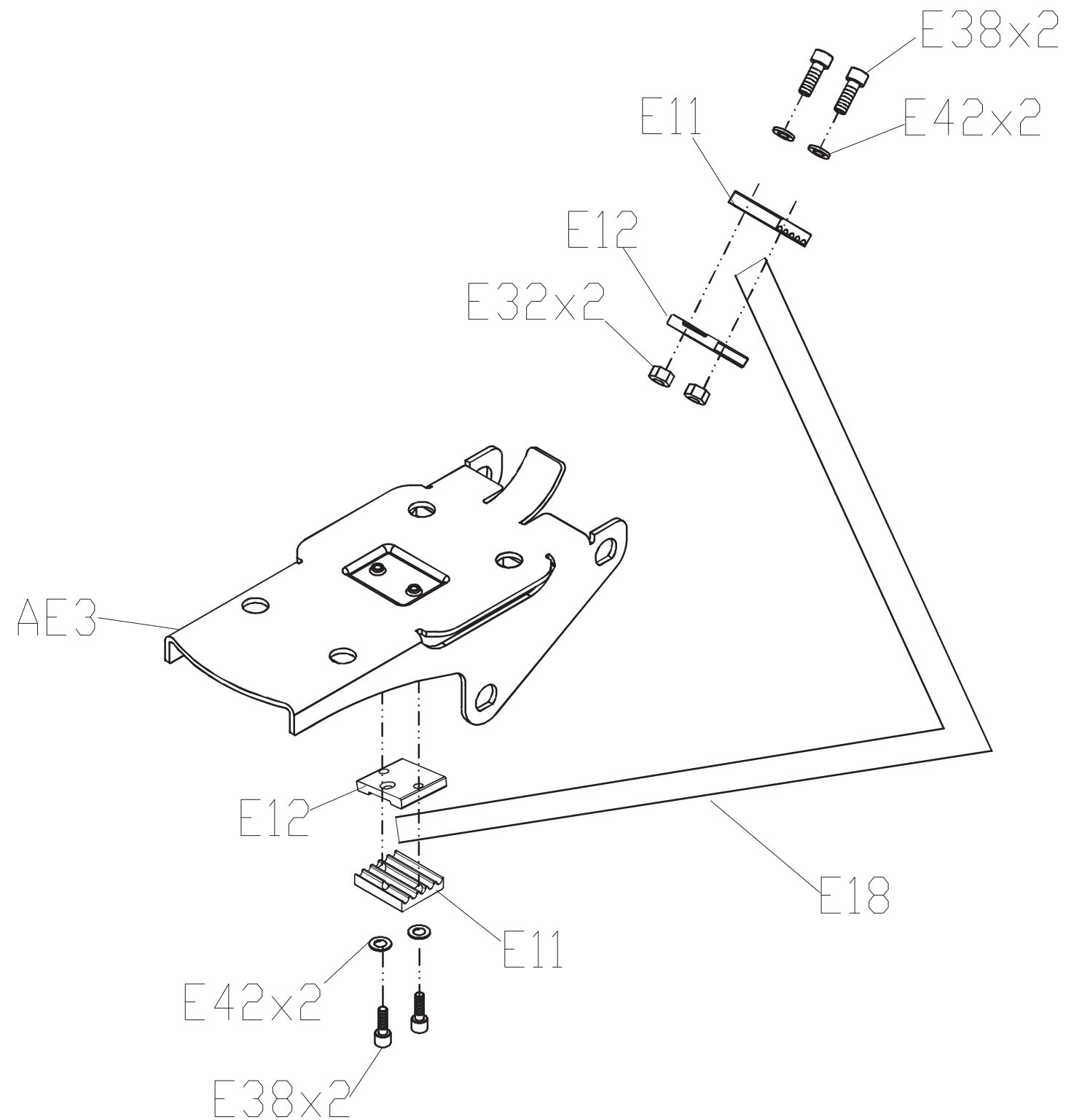
SAP NO.	Description
000090902	SLIVER
1000337781	Matte black
1000346588	SUN ORANGE

DRAWING NO	CS11-AE7		
PART NAME	PEDAL ARM SET		
PART NO	See attached REF		
APPROVE	JARVIS	DATE	140416



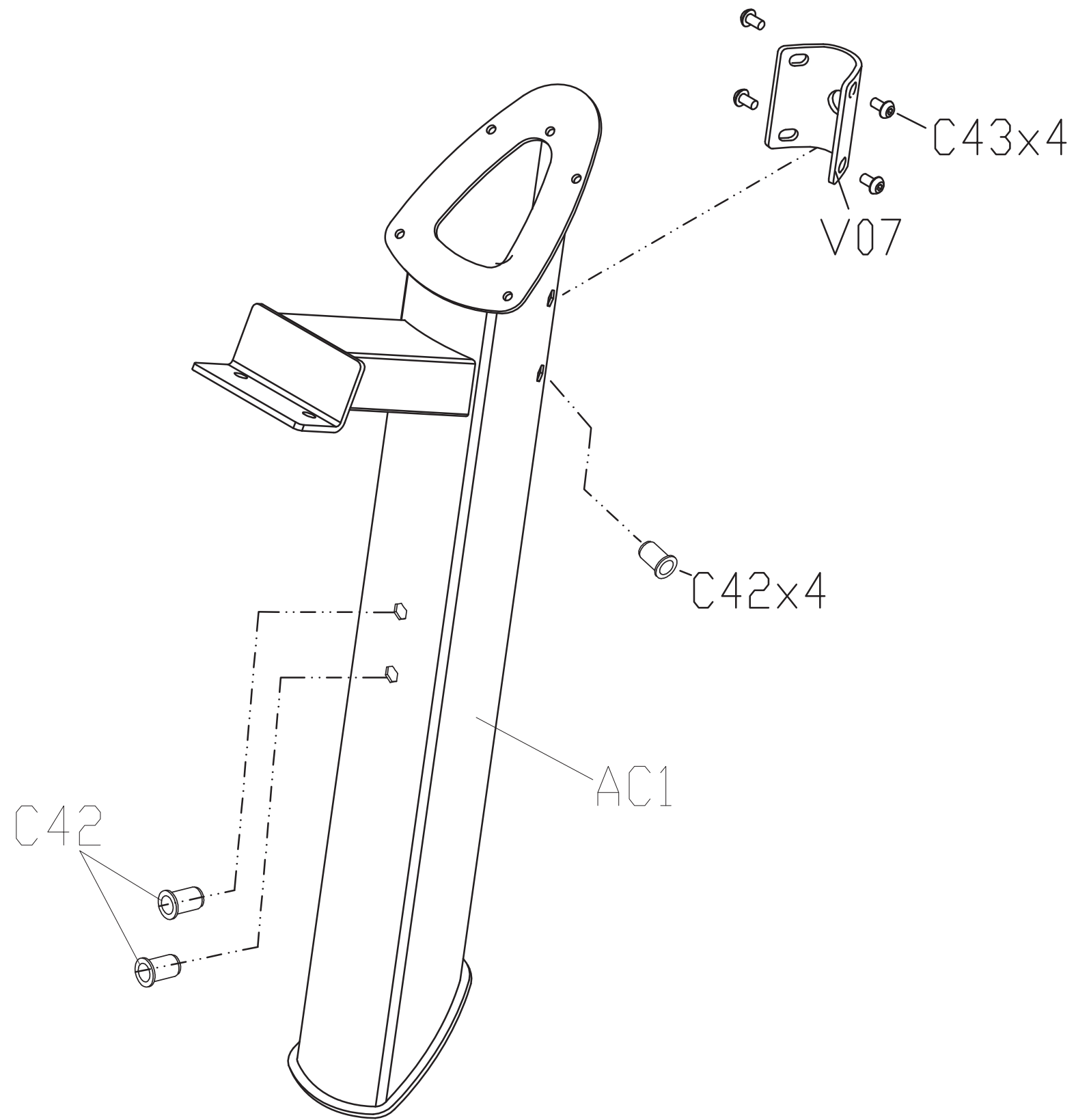
SAP NO.	Description
0000090904	SLIVER
1000341328	Matte black
1000346590	SUN ORANGE

DRAWING NO	CS11-AE8		
PART NAME	PEDAL SET		
PART NO	See attached <sup>R</sup> / <sub>D</sub>		
APPROVE	JARVIS	DATE	140416

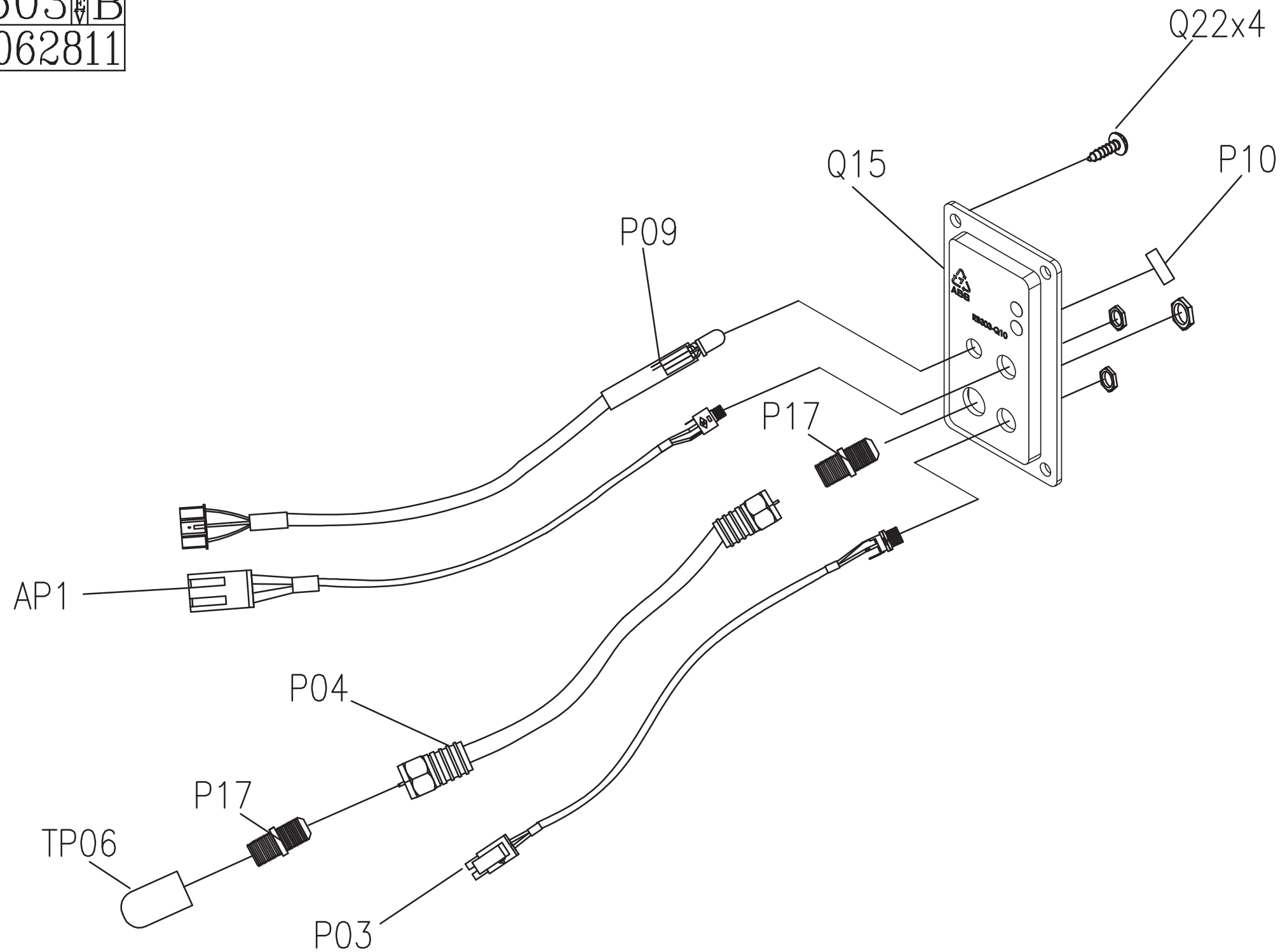


SAP NO.	Description
0000090906	SLIVER
1000341330	Matte black
1000346592	SUN ORANGE

DRAWING NO	CS15-AC2		
PART NAME	Console Mast Set		
PART NO	0000092502 <sup>R</sup> <sub>D</sub>		
APPROVE	S.T.C	DATE	2012.01.13

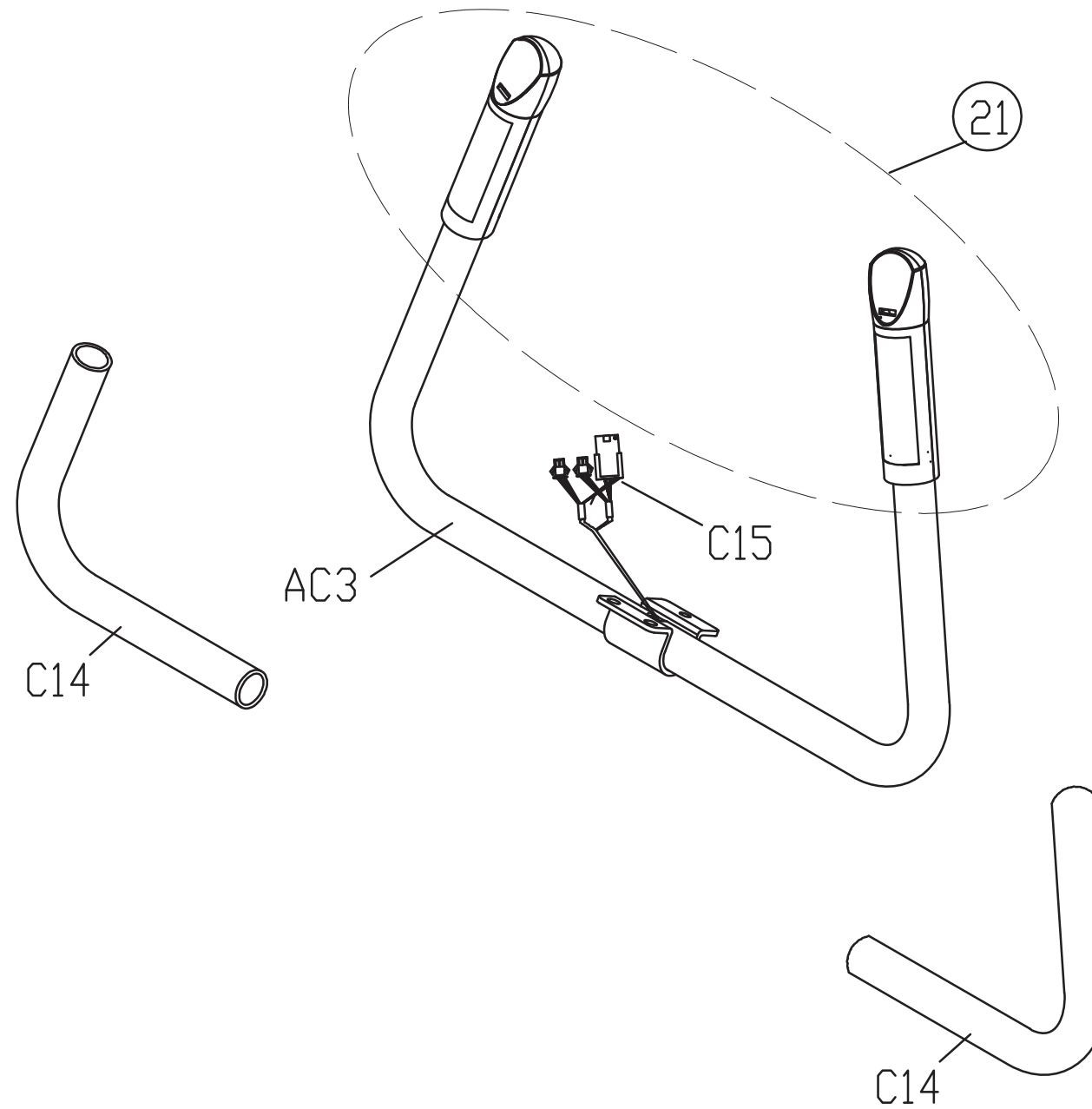


DRAWING NO	CS15-AP3		
PART NAME	E-PORT Fix Plate Set		
PART NO	0000092503 REV B		
APPROVE	KEN	DATE	062811



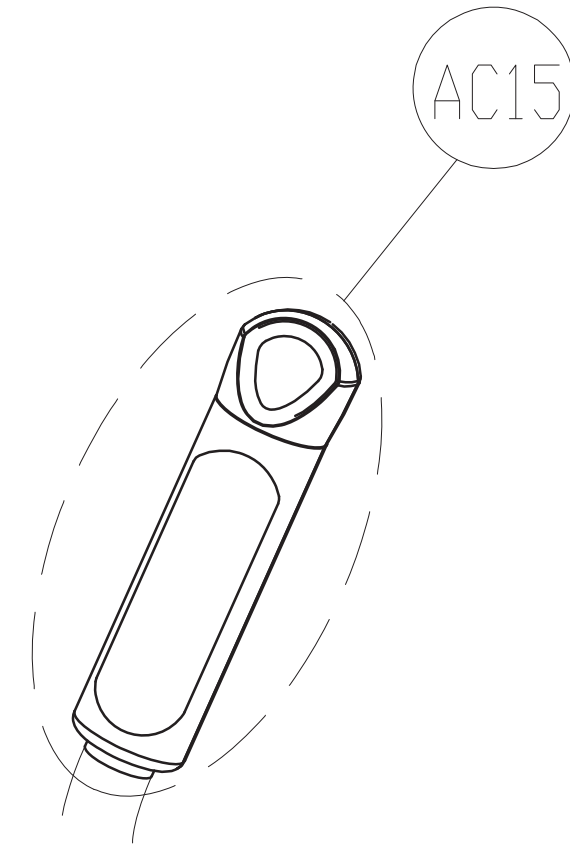
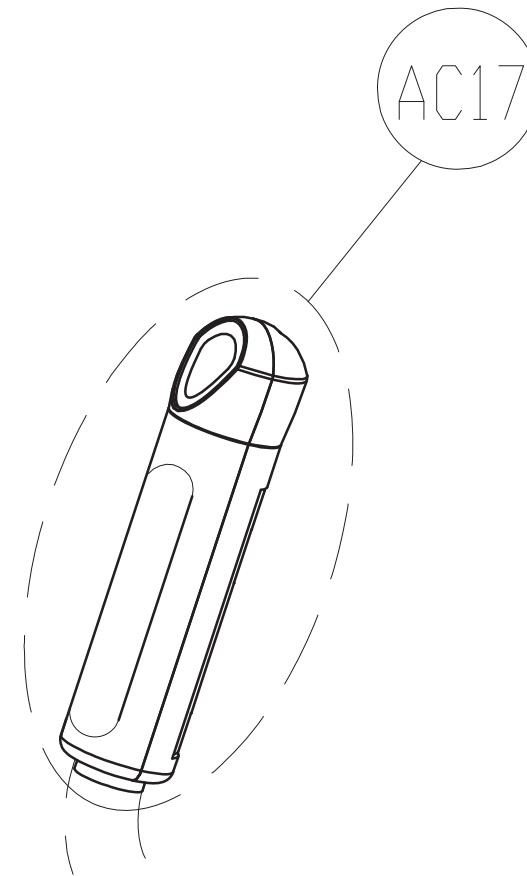
DRAWING NO	CS15-AC5		
PART NAME	Handlebar Set		
PART NO	As Attachment <sup>R</sup> / <sub>E</sub> / <sub>V</sub> / <sub>E</sub> / <sub>C</sub>		
APPROVE	Rain	DATE	2011.04.28

Part NO	Description
0000092478	Handlebar Set;English;S3x-01
1000216841	Handlebar Set;Holland;S3x-01
1000216842	Handlebar Set;France;S3x-01
1000216843	Handlebar Set;Germany;S3x-01
1000216844	Handlebar Set;Spain;S3x-01
1000216845	Handlebar Set;Italy;S3x-01
0000092928	Handlebar Set;Japan;S3x-01



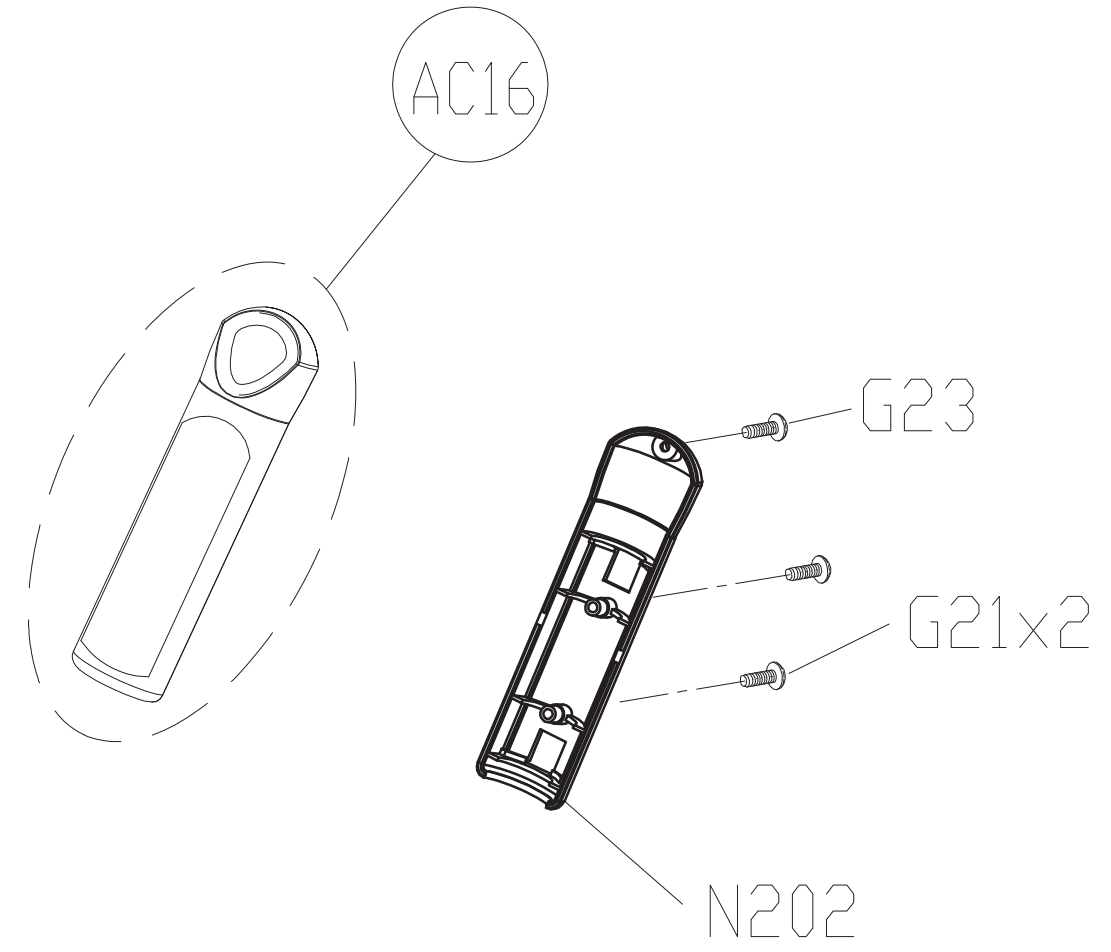
DRAWING NO	CB72-AC14		
PART NAME	Grip Set;Sensor		
PART NO	As Attachment <sup>REV</sup> E		
APPROVE	Rain	DATE	2011.04.28

Part NO	Description
0000093119	Grip Set;Sensor;English;H5x-F
1000213983	Grip Set;Sensor;Holland;H5x-F
1000213984	Grip Set;Sensor;Franc;H5x-F
1000213985	Grip Set;Sensor;Germany;H5x-F
1000213986	Grip Set;Sensor;Spain;H5x-F
1000213987	Grip Set;Sensor;Ital;H5x-F
1000216857	Grip Set;Sensor;Poland;H5x-F
0000093247	Grip Set;Sensor;Japan;H5x-F
0000093192	Grip Set;Sensor;English;H3x-01
1000216852	Grip Set;Sensor;Holland;H3x-01
1000216853	Grip Set;Sensor;France;H3x
1000216854	Grip Set;Sensor;Germany;H3x
1000216855	Grip Set;Sensor;Spain;H3x
1000216856	Grip Set;Sensor;Italy;H3x
0000093496	Grip Set;Sensor;Japan;H3x



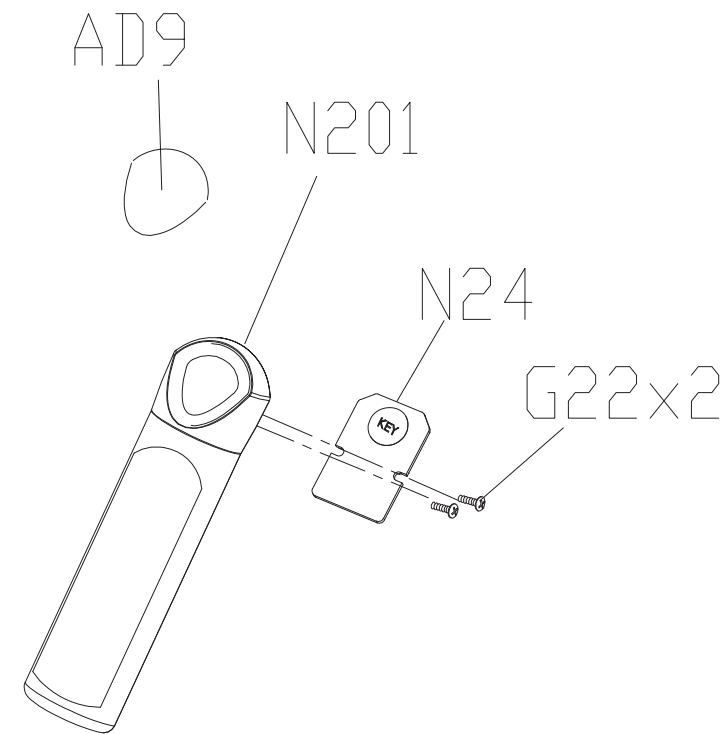
DRAWING NO	CB72-AC15		
PART NAME	Grip Set;Sensor;Right		
PART NO	As Attachment ID		
APPROVE	Rain	DATE	2011.04.28

Part NO	Description
0000091704	Grip Set;Sensor;Right;ENG;H5x-F
1000213968	Grip Set;Sensor;Right;Holland;H5x-F
1000213969	Grip Set;Sensor;Right;France;H5x-F
1000213970	Grip Set;Sensor;Right;Germany;H5x-F
1000213971	Grip Set;Sensor;Right;Spain;H5x-F
1000213972	Grip Set;Sensor;Right;Italy;H5x-F
1000216831	Grip Set;Sensor;Right;Poland;H5x-F
0000091654	Grip Set;Sensor;Right;JAP;H5x-F
0000092539	Grip Set;Sensor;Right;ENG;H3x-01
1000216826	Grip Set;Sensor;Right;Holland;H3x
1000216827	Grip Set;Sensor;Right;France;H3x
1000216828	Grip Set;Sensor;Right;Germany;H3x
1000216829	Grip Set;Sensor;Right;Spain;H3x
1000216830	Grip Set;Sensor;Right;Italy;H3x
0000092984	Grip Set;Sensor;Right;JAP;H3x



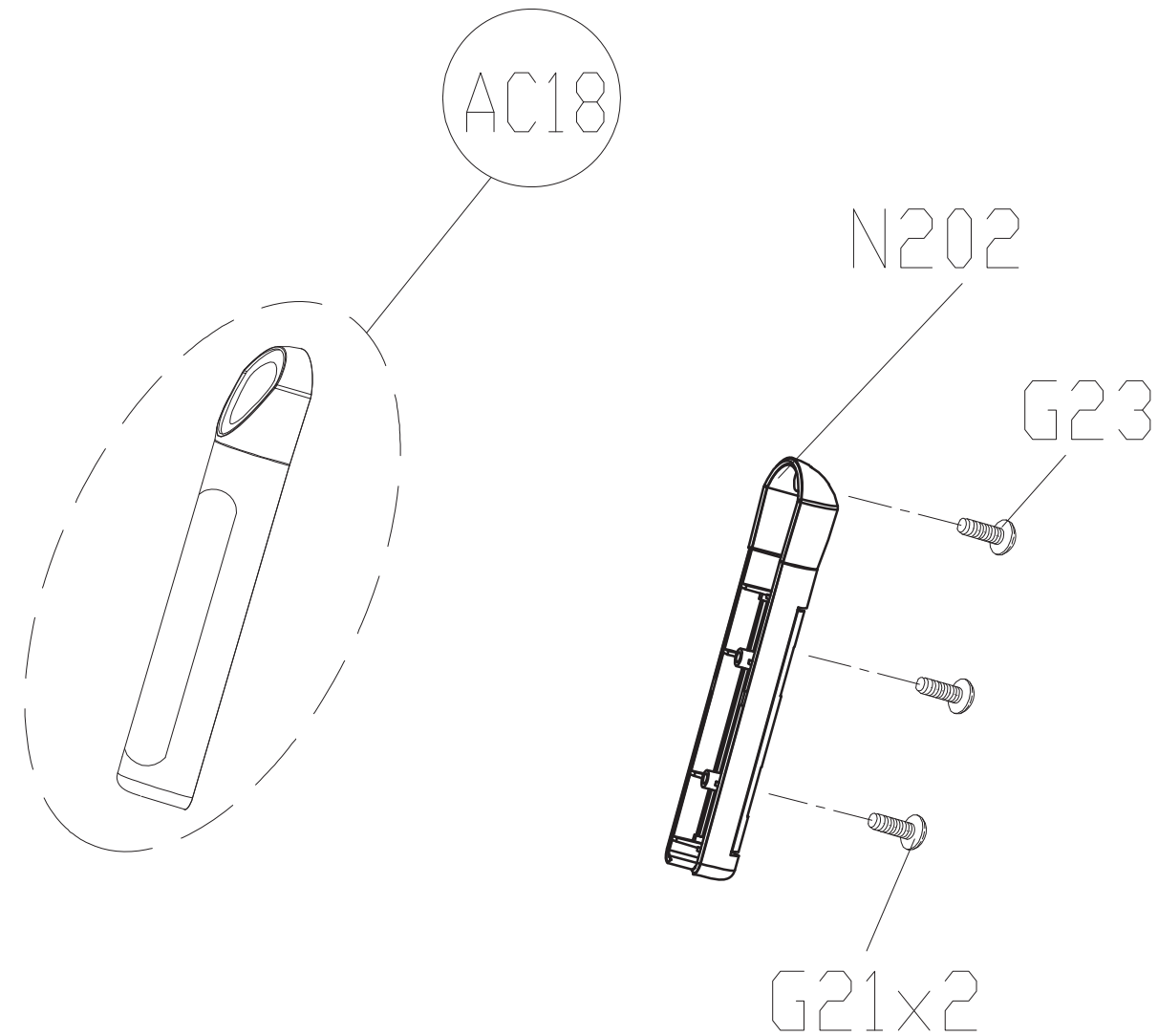
DRAWING NO	CB72-AC16		
PART NAME	Sensor Set;Right		
PART NO	As Attachment		
APPROVE	SHUYI	DATE	12.23.10

Part NO	Description
0000091705	Sensor Set;Right;ENG;H5x-F
0000091655	Sensor Set;Right;JAP;H5x-F
0000092540	Sensor Set;Right;ENG;H3x-01
0000092985	Sensor Set;Right;JAP;H3x
0000088307	Sensor Set;Right;ENG;U5x-F
1000213166	Sensor Set;Right;JAP;U5x-F
0000092515	Sensor Set;Right;ENG;U3x-01
0000092973	Sensor Set;Right;JAP;U3x
0000092571	Sensor Set;Right;ENG;R3x-01
0000092997	Sensor Set;Right;JAP;R3x



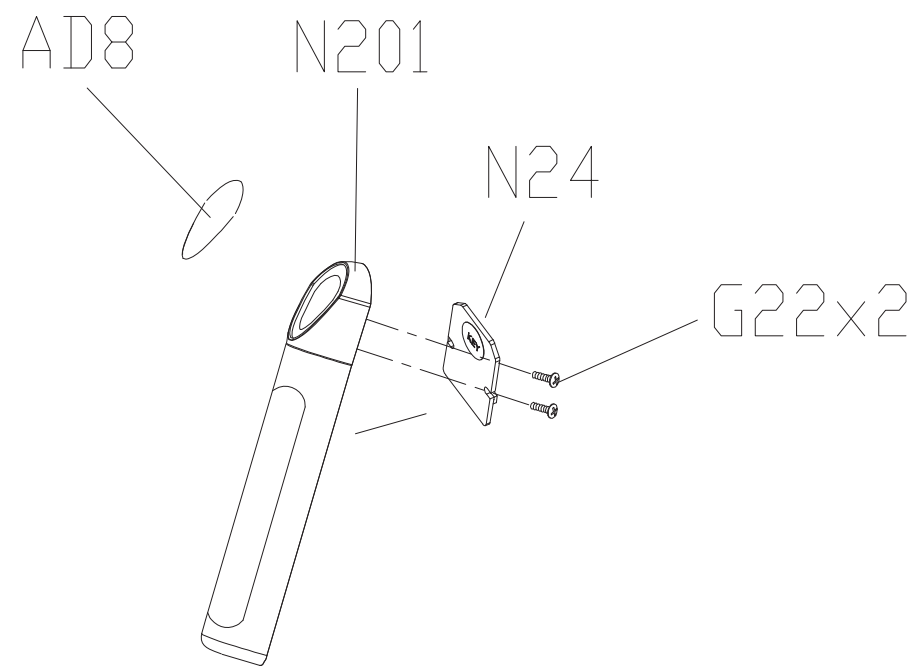
DRAWING NO	CB72-AC17		
PART NAME	Grip Set;Sensor;Light		
PART NO	As Attachment		
APPROVE	Rain	DATE	2011.04.28

Part NO	Description
0000091706	Grip Set;Sensor;Light;ENG;H5x-F
1000213973	Grip Set;Sensor;Light;Holland;H5x-F
1000213974	Grip Set;Sensor;Light;France;H5x-F
1000213975	Grip Set;Sensor;Light;Germany;H5x-F
1000213976	Grip Set;Sensor;Light;Spain;H5x-F
1000213977	Grip Set;Sensor;Light;Italy;H5x-F
1000216837	Grip Set;Sensor;Light;Poland;H5x-F
0000091658	Grip Set;Sensor;Light;JAP;H5x-F
0000092542	Grip Set;Sensor;Light;ENG;H3x-01
1000216832	Grip Set;Sensor;Light;Holland;H3x
1000216833	Grip Set;Sensor;Light;France;H3x
1000216834	Grip Set;Sensor;Light;Germany;H3x
1000216835	Grip Set;Sensor;Light;Spain;H3x
<b>1000216836</b>	Grip Set;Sensor;Light;Italy;H3x
0000092986	Grip Set;Sensor;Light;JAP;H3x

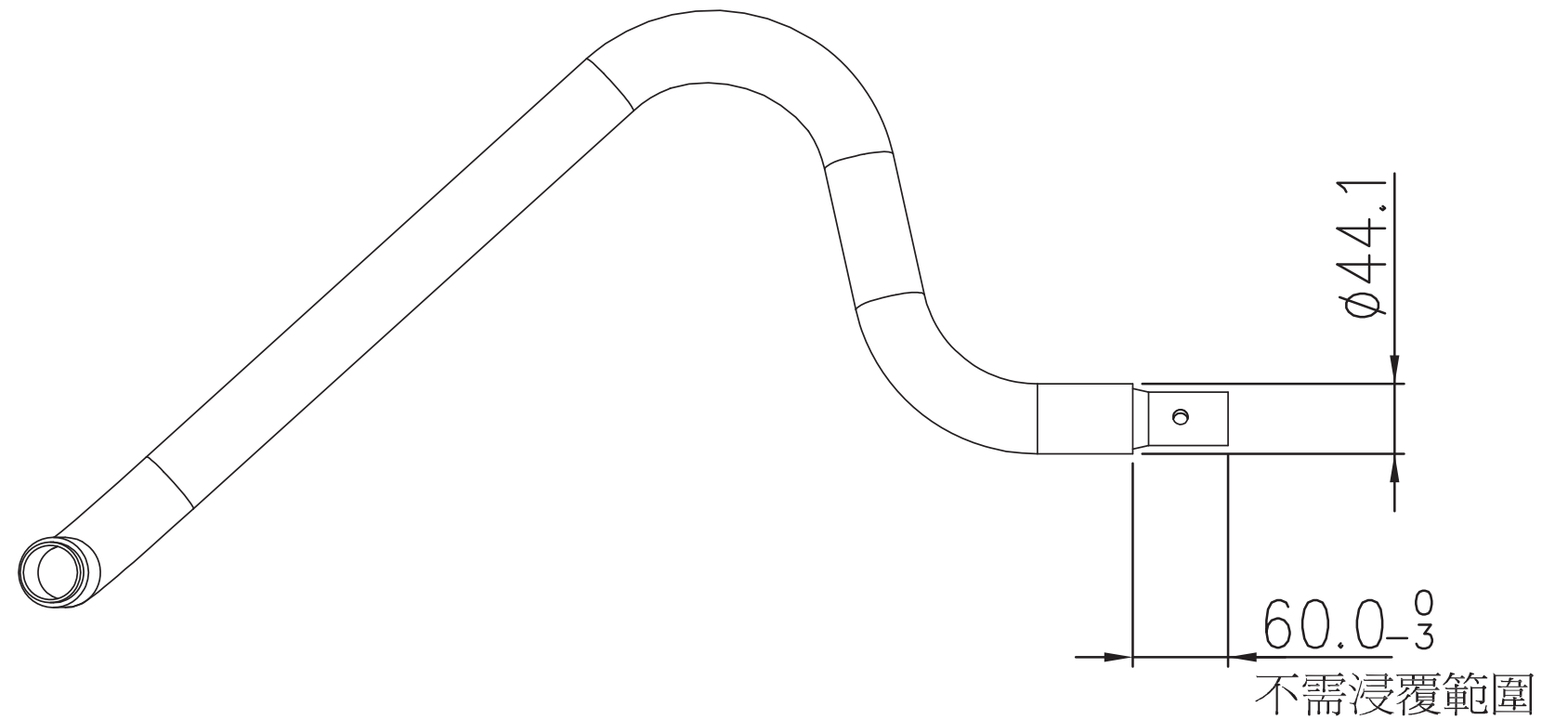
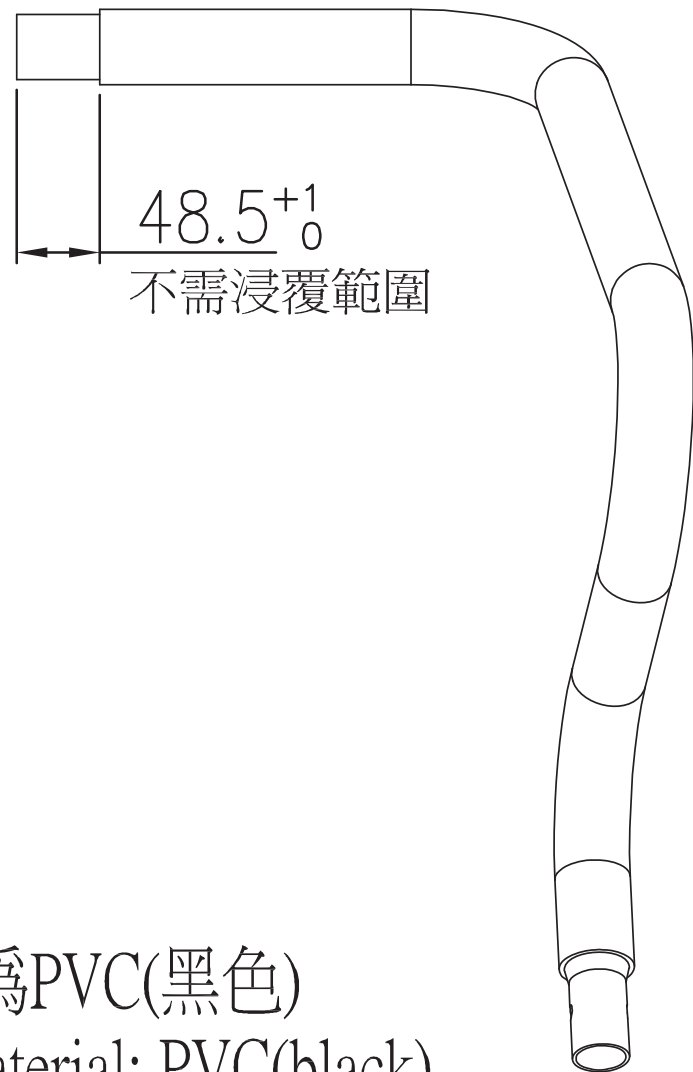
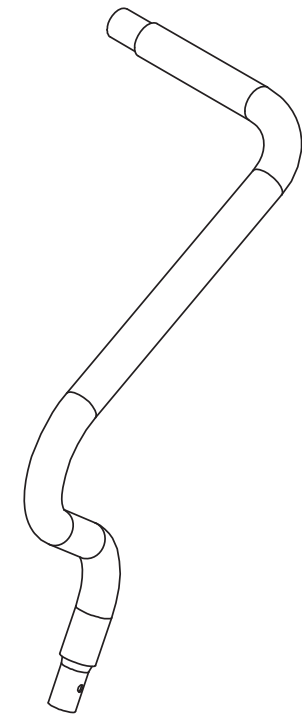


DRAWING NO	CB72-AC18		
PART NAME	Sensor Set;Left		
PART NO	As Attachment <sup>RF</sup> C		
APPROVE	SHUYI	DATE	2010.12.23

Part NO	Description
0000091707	Grip Set;Sensor;Left;ENG;H5x-F
0000091659	Grip Set;Sensor;Left;JAP;H5x-F
0000092543	Grip Set;Sensor;Left;ENG;H3x-01
0000092987	Grip Set;Sensor;Left;JAP;H3x
0000089919	Grip Set;Sensor;Left;ENG;U5x-F
1000213168	Grip Set;Sensor;Left;JAP;U5x-F
0000092517	Grip Set;Sensor;Left;ENG;U3x-01
0000092975	Grip Set;Sensor;Left;JAP;U3x
0000092573	Grip Set;Sensor;Left;ENG;R3x-01
0000092999	Grip Set;Sensor;Left;JAP;R3x



DRAWING NO	CS08-AG11		
PART NAME	Right-Up Handlebar Set		
PART NO	0000093057RB		
APPROVE	S.T.C	DATE	101113



註:

Notes:

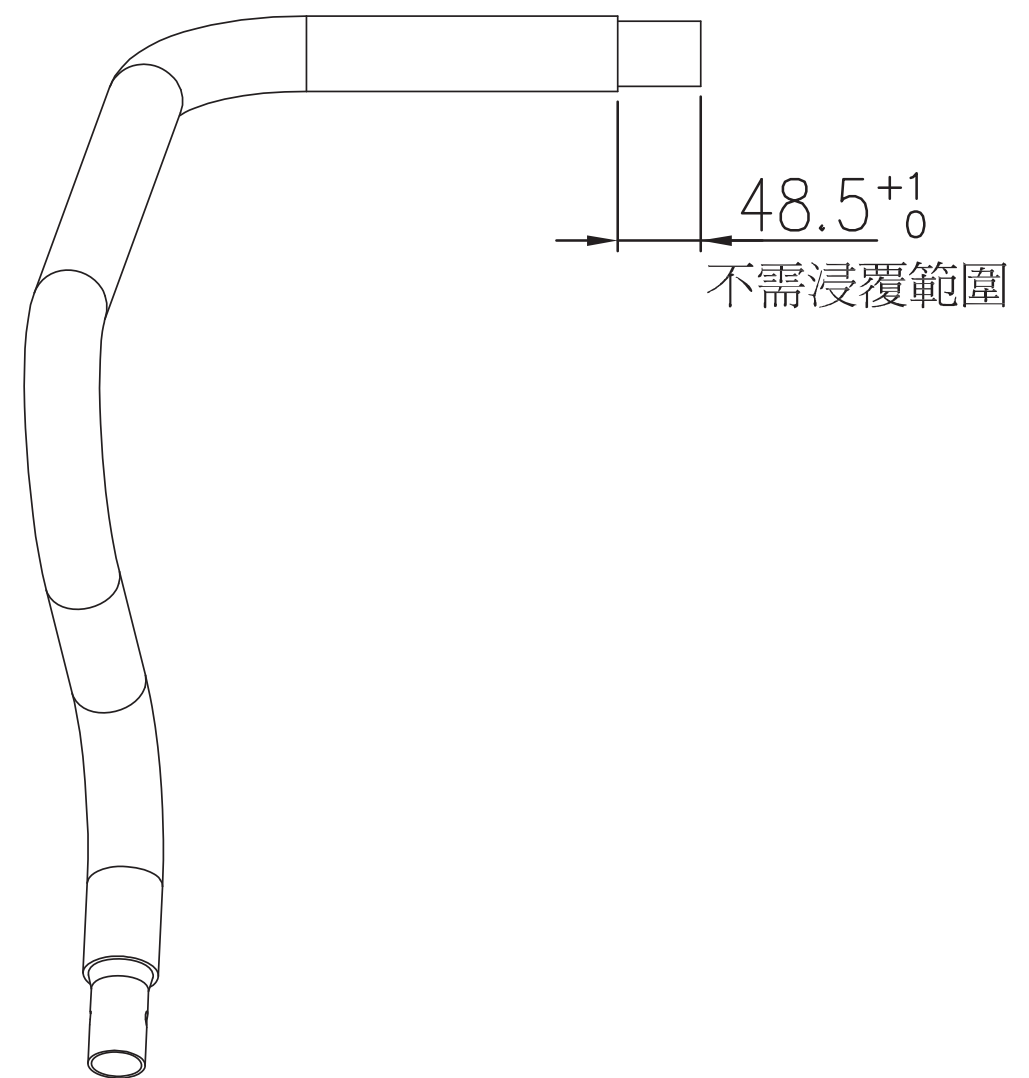
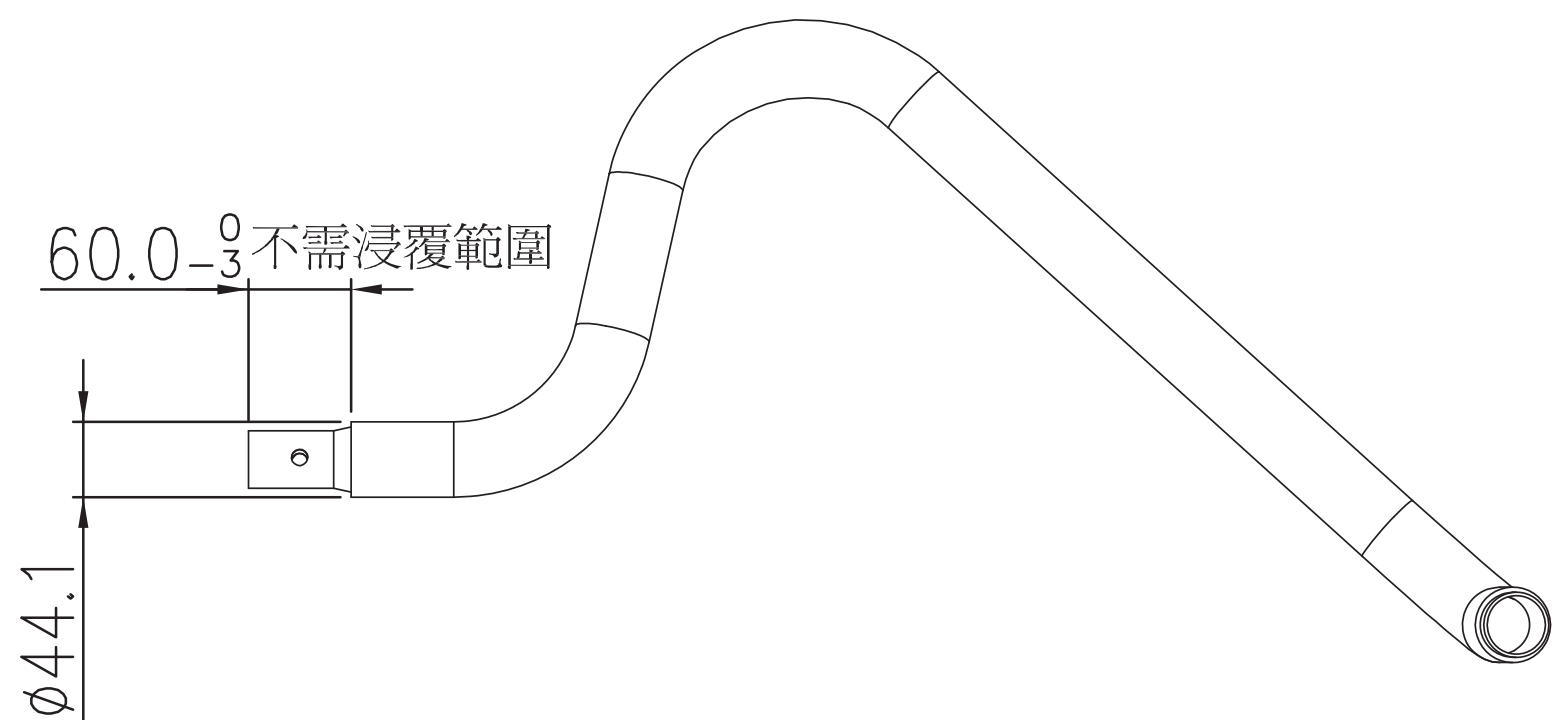
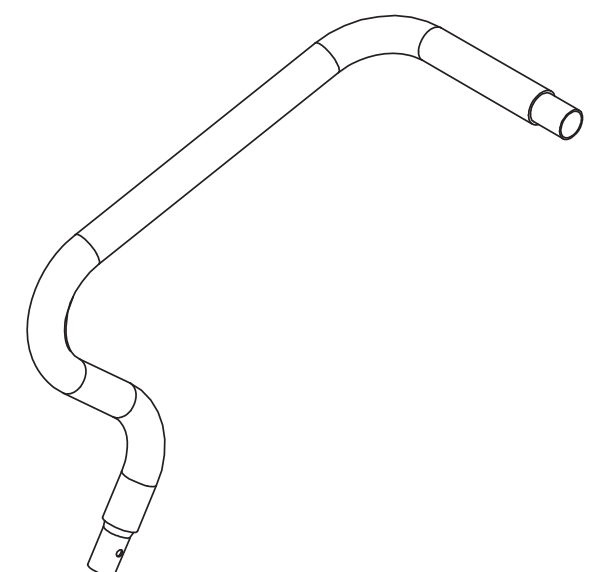
1. 浸覆材質為PVC(黑色)

Dipping material: PVC(black)

2. 浸覆厚度3.0 (平均厚度)

Dipping thickness: 3.0

DRAWING NO	CS08-AG12		
PART NAME	Left-Up Handlebar Set		
PART NO	0000093058 <sup>R</sup> / <sub>B</sub>		
APPROVE	S.T.C	DATE	101113

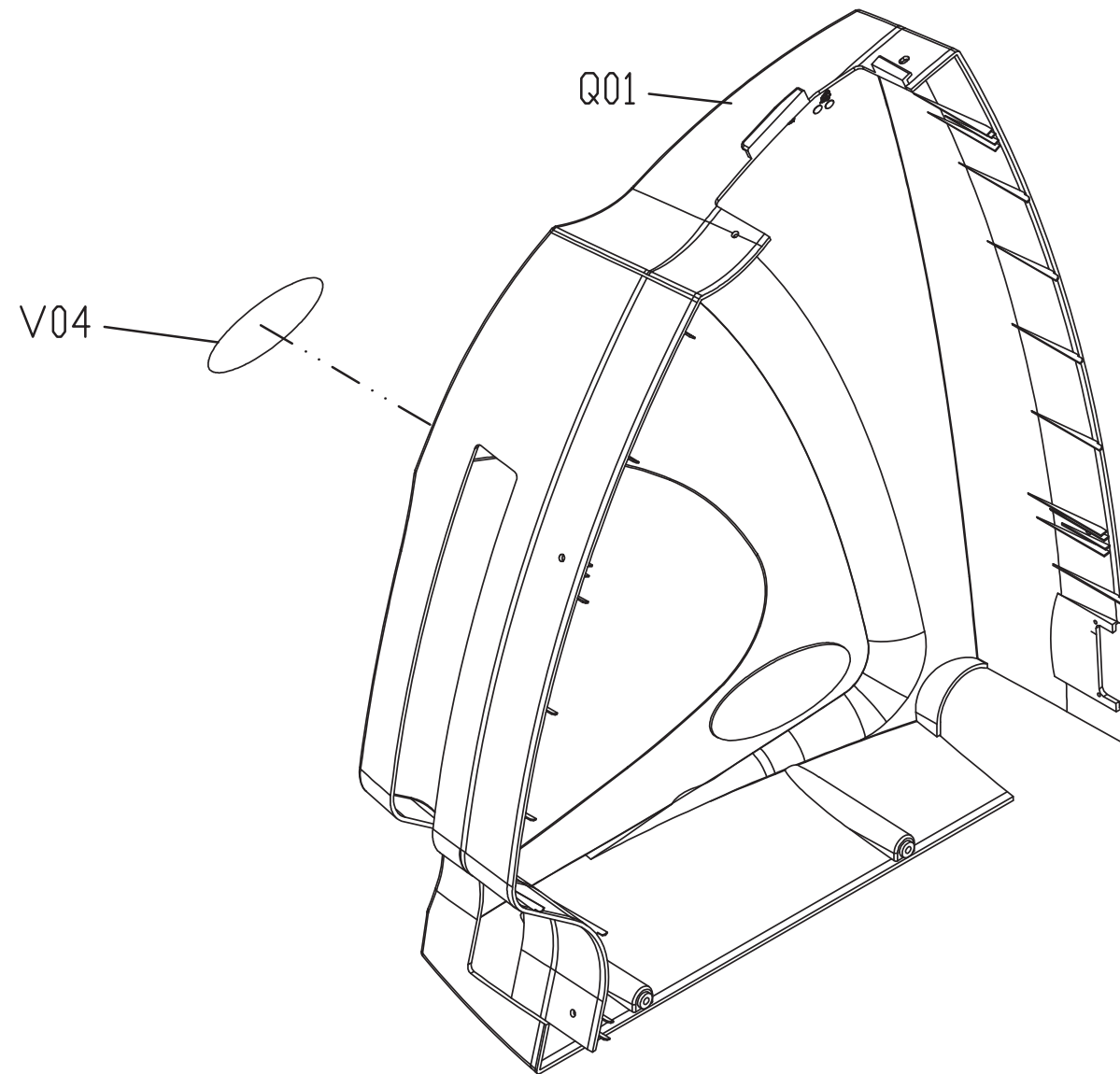


註:

Notes:

1. 浸覆材質為PVC(黑色)  
Dipping material: PVC(black)
2. 浸覆厚度3.0 (平均厚度)  
Dipping thickness: 3.0

DRAWING NO	CS11B-AQ11		
PART NAME	LEFT COVER SET		
PART NO	1000216360	REV	A
APPROVE	KEN	DATE	050511



DRAWING NO	CS11B-AQ12		
PART NAME	RIGHT COVER SET		
PART NO	1000216363 <sup>R</sup> <sub>V</sub> A		
APPROVE	KEN	DATE	050511

