
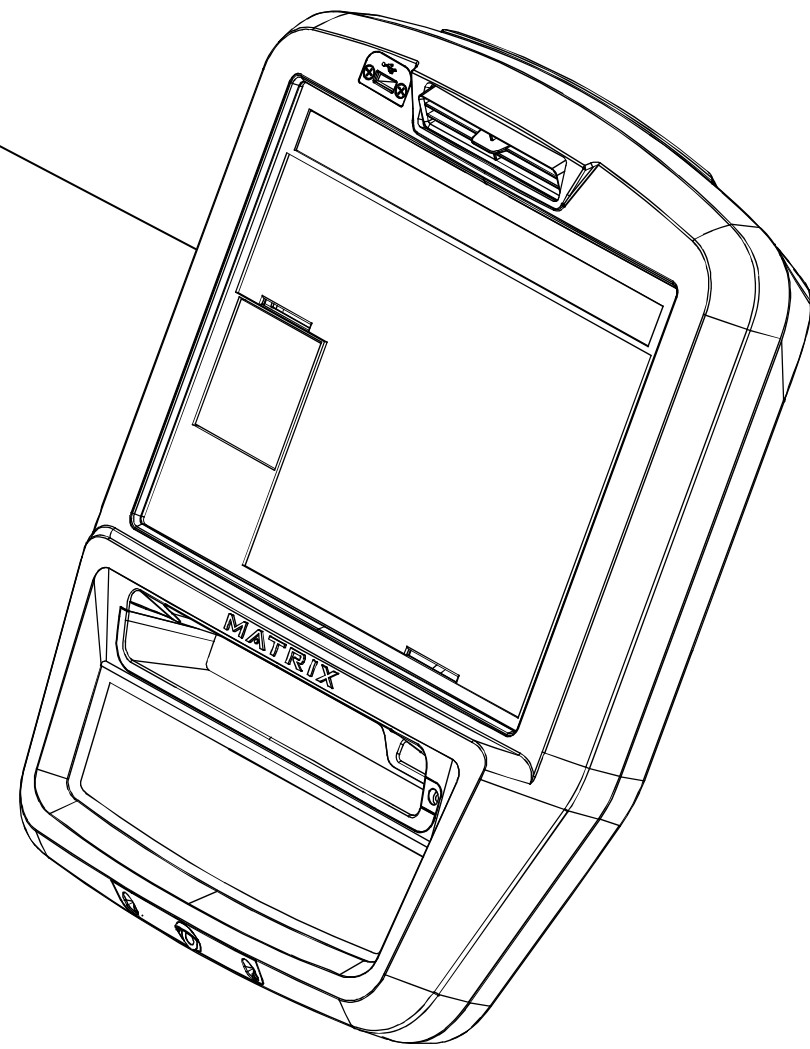


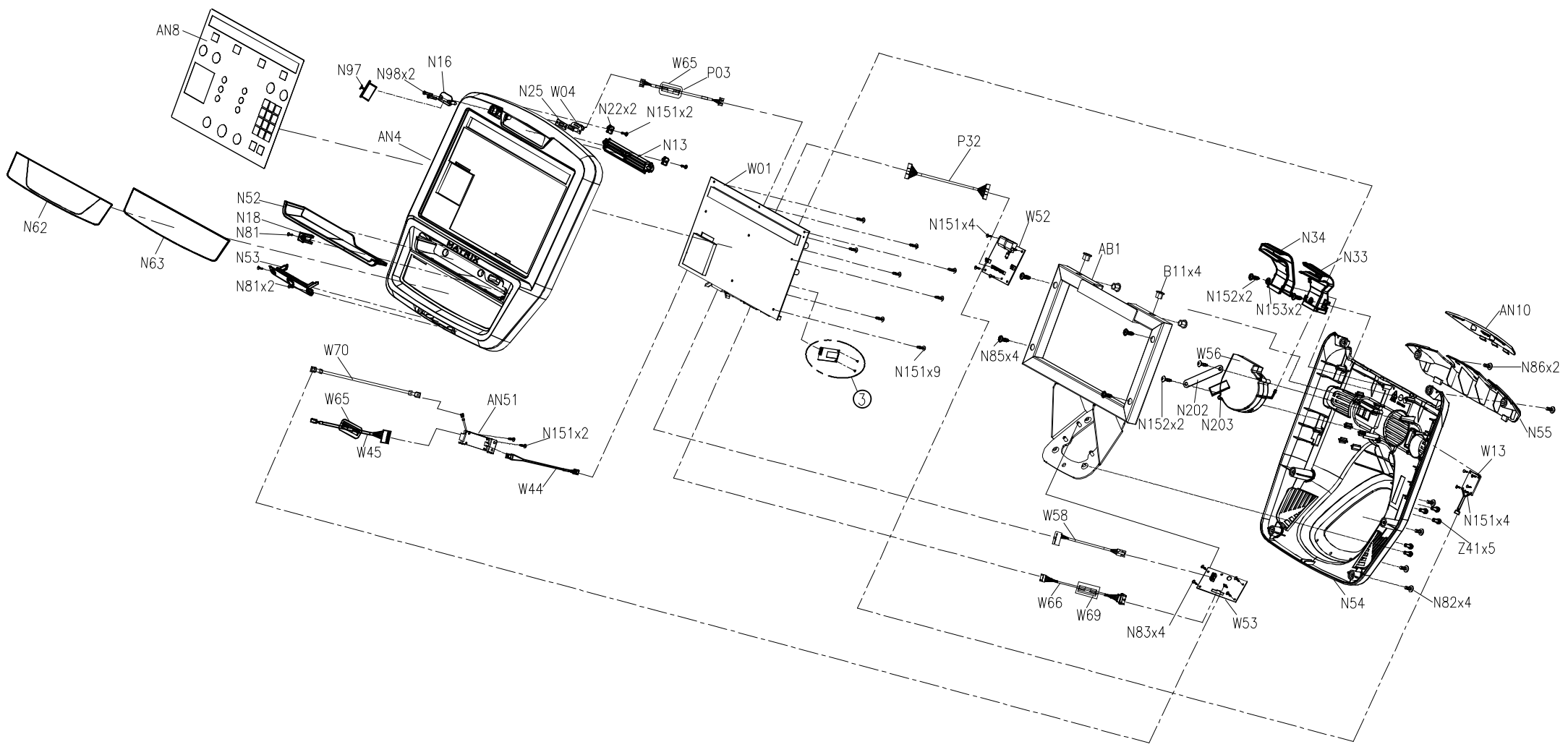
DRAWING NO	CS28B-A05		
PART NAME	Assembly View		
PART NO	1000380476		A
APPROVE	Heady	DATE	20151204

21

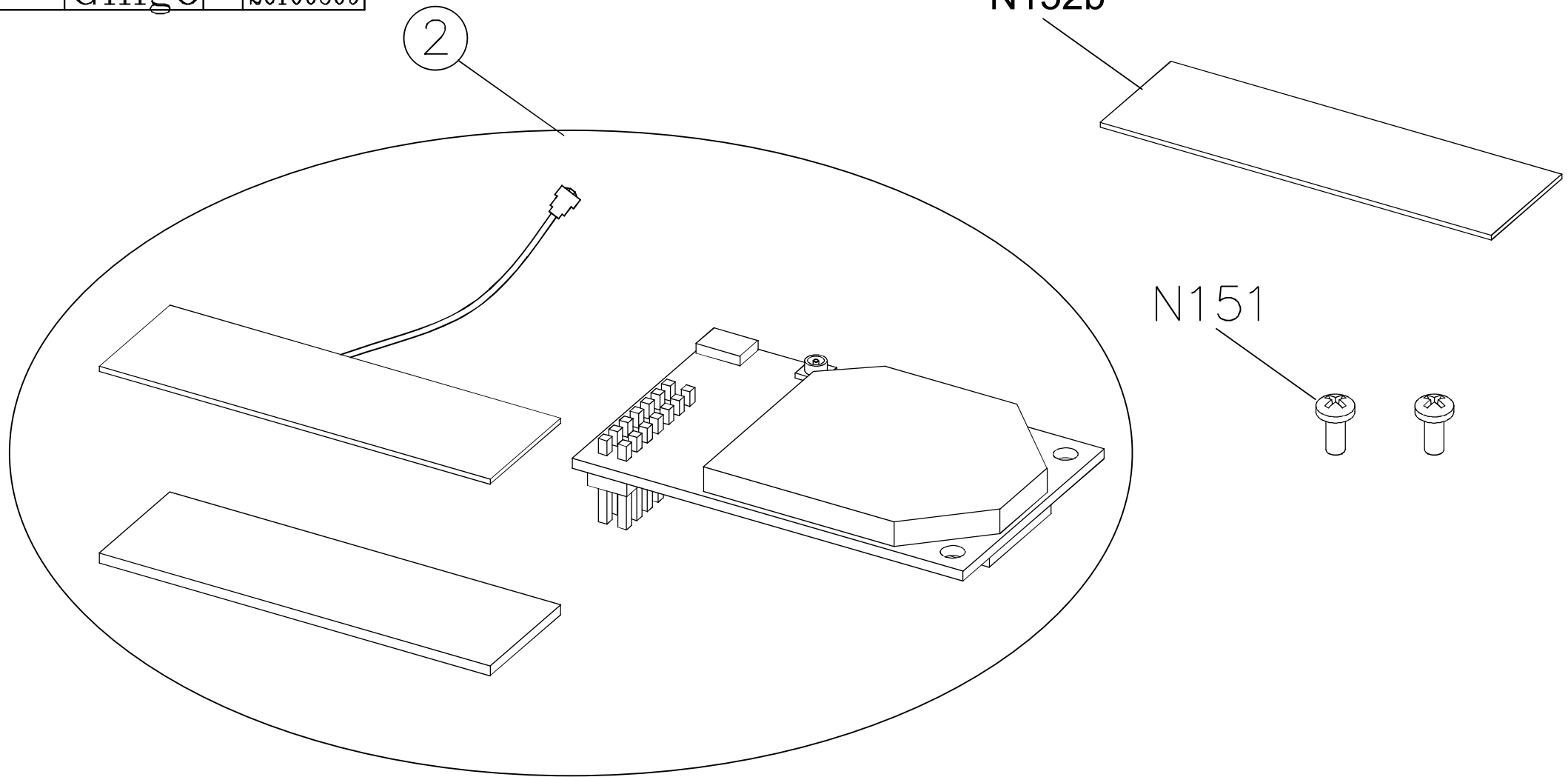


SAP PART NO
MCS0373-00
MCS0376-00

DRAWING NO	CS28B-AN11		
PART NAME	Console Set		
PART NO	1000380478	REV	A
APPROVE	Mike	DATE	20151214



DRAWING NO	EP619B-AW31		
PART NAME	WIFI Wireless module Set		
PART NO	1000366472	01	B
APPROVE	Gingo	DATE	20160309



備註: 1. 軟體版次請見SAP