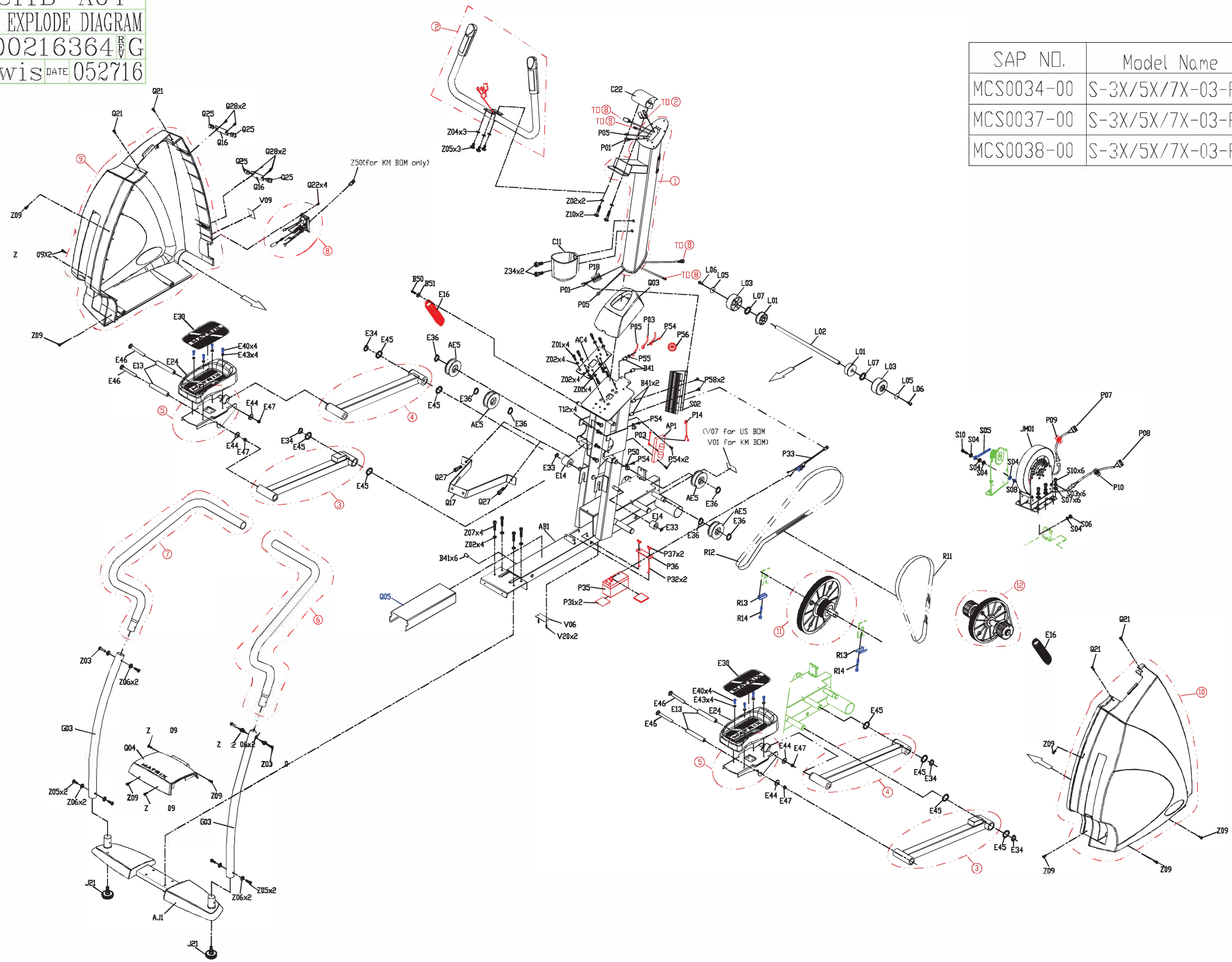
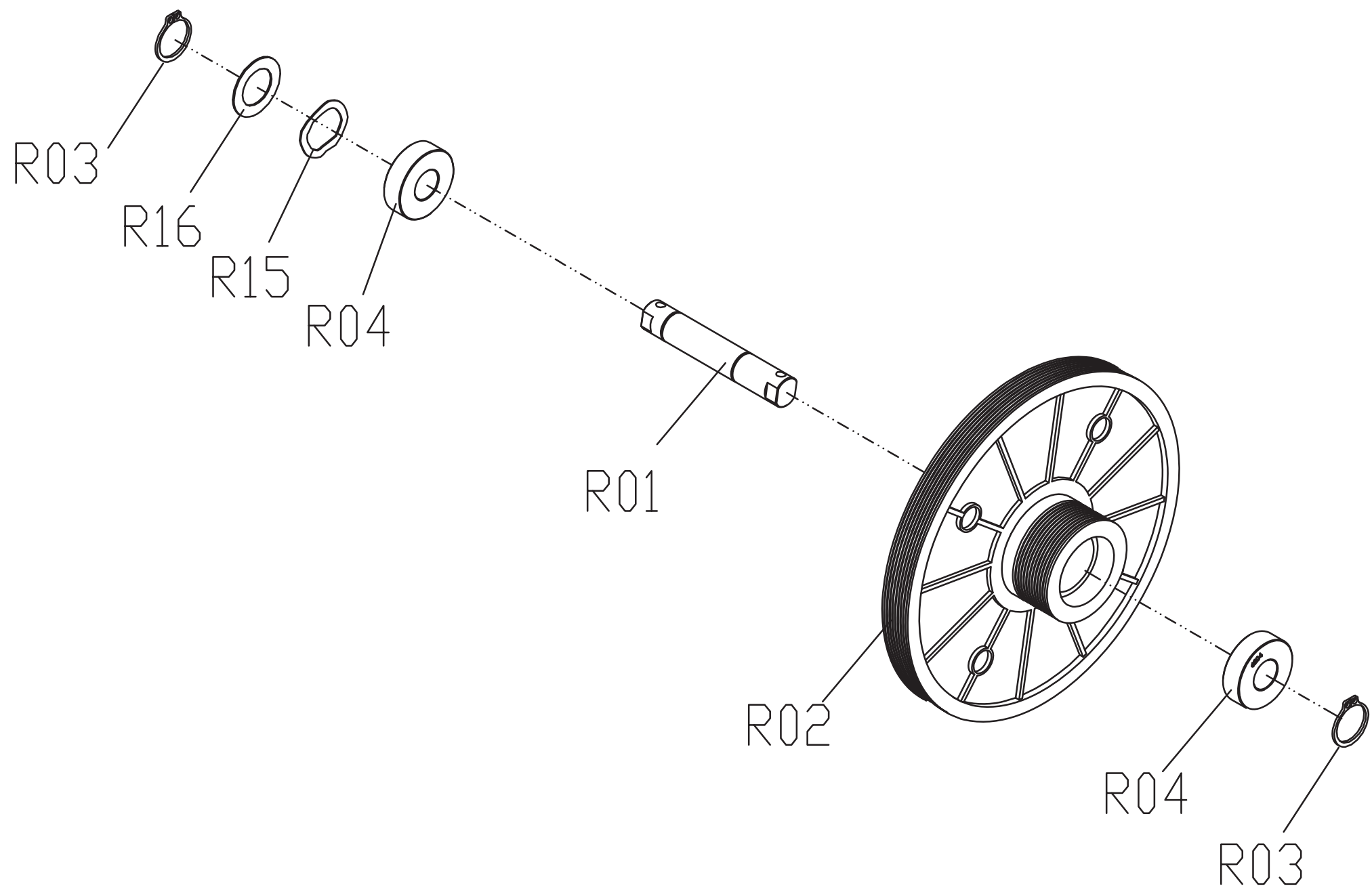


DRAWING NO: CS11B-A04
 PART NAME: PART EXPLODE DIAGRAM
 PART NO: 1000216364 REV G
 APPROVE: Lewis DATE: 052716

SAP NO.	Model Name
MCS0034-00	S-3X/5X/7X-03-F;US
MCS0037-00	S-3X/5X/7X-03-F;KM
MCS0038-00	S-3X/5X/7X-03-F;JP

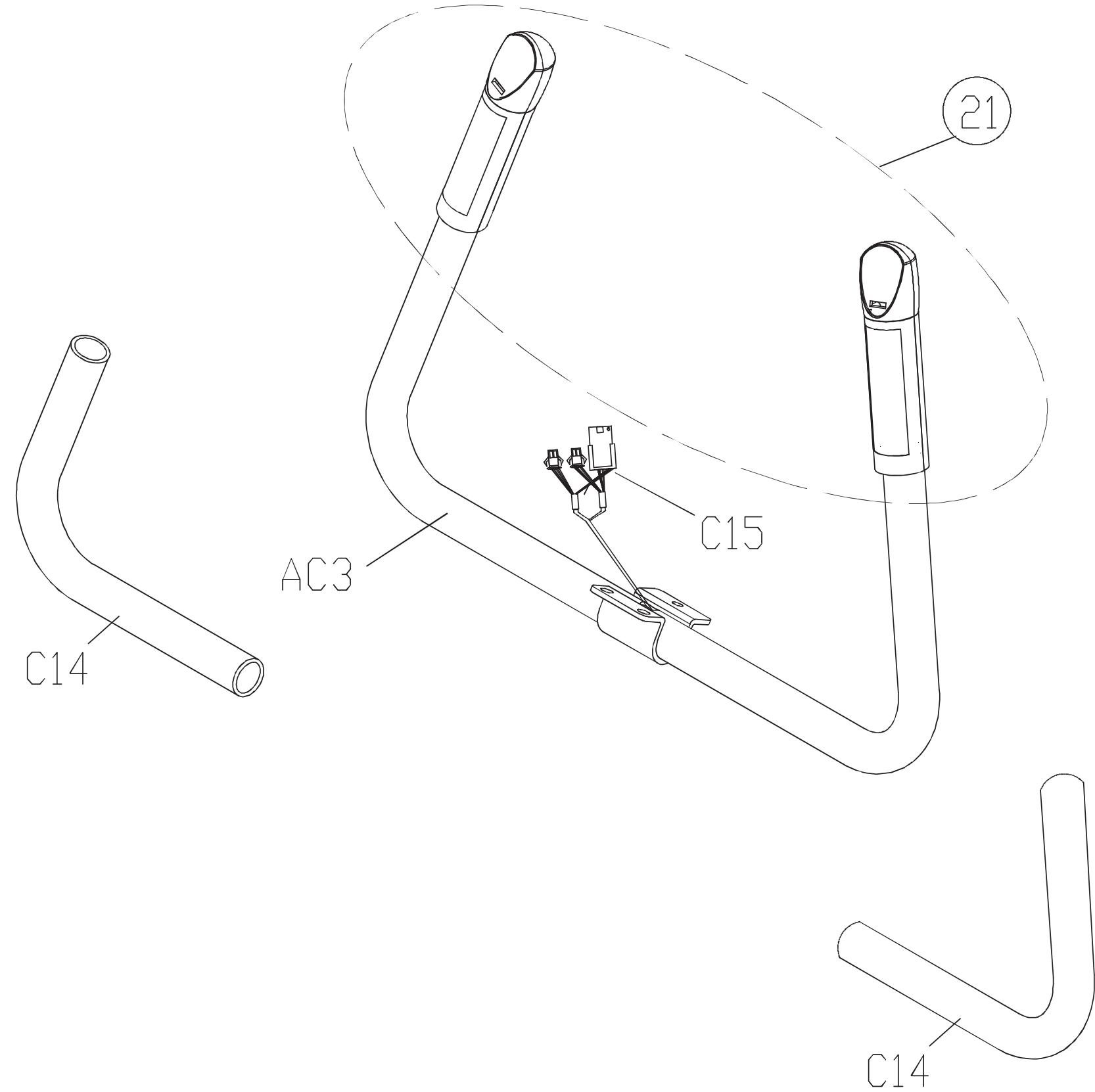


DRAWING NO	CS08-AR1		
PART NAME	Transmission Set		
PART NO	058735-A ^R _E A		
APPROVE	Rain	DATE	2011.01.18

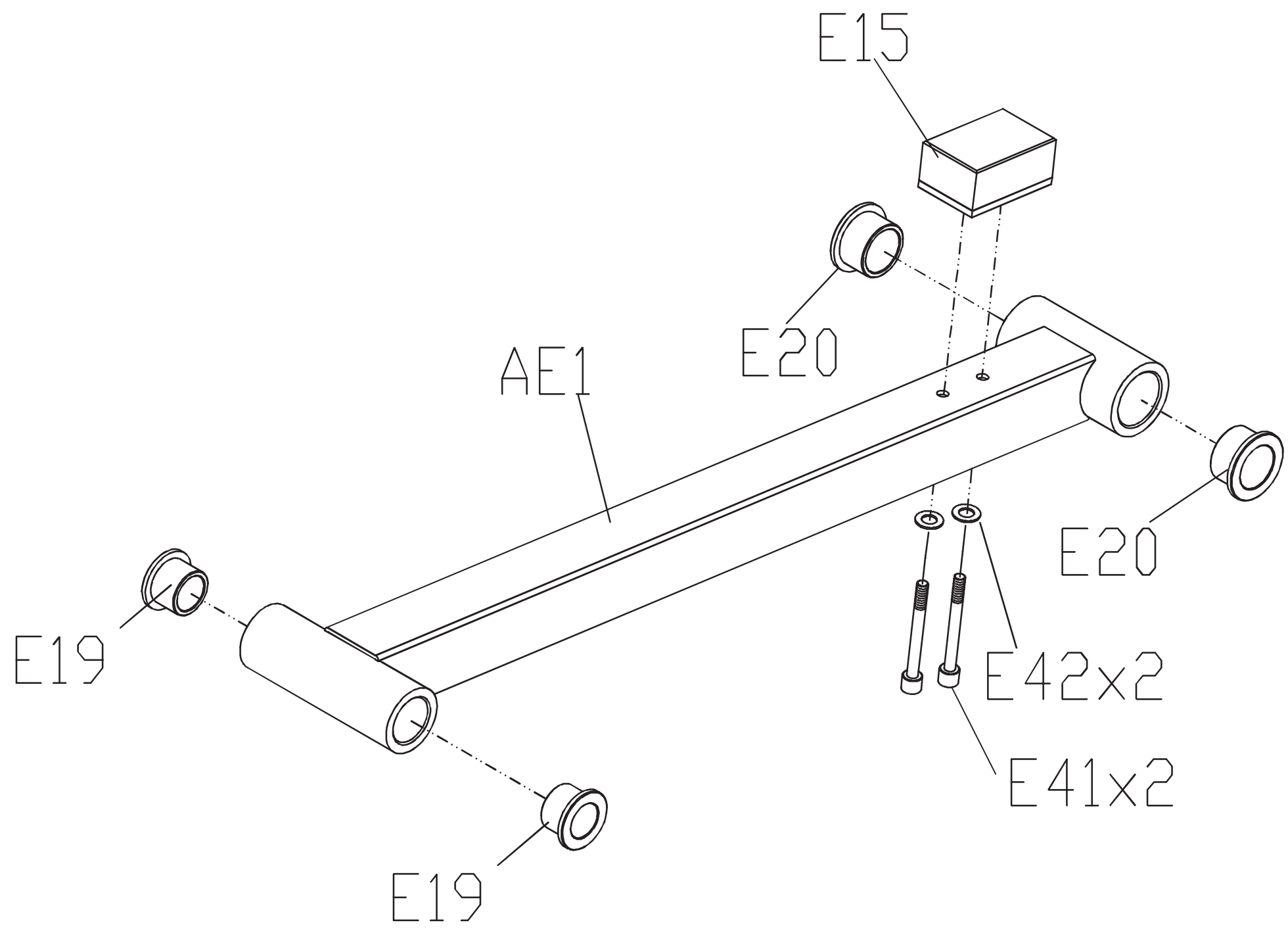


DRAWING NO	CS11-AC5		
PART NAME	Handlebar Set		
PART NO	As Attachment ^R / _V F		
APPROVE	Hunter	DATE	120213

Part NO	Description
0000089432	Handlebar Set;English;S5x-F
1000213978	Handlebar Set;Holland;S5x-F
1000213979	Handlebar Set;France;S5x-F
1000213980	Handlebar Set;Germany;S5x-F
1000213981	Handlebar Set;Spain;S5x-F
1000213982	Handlebar Set;Italy;S5x-F
1000216846	Handlebar Set;Poland;S5x-F
0000091688	Handlebar Set;Japan;S5x-F
1000338487	Black mat

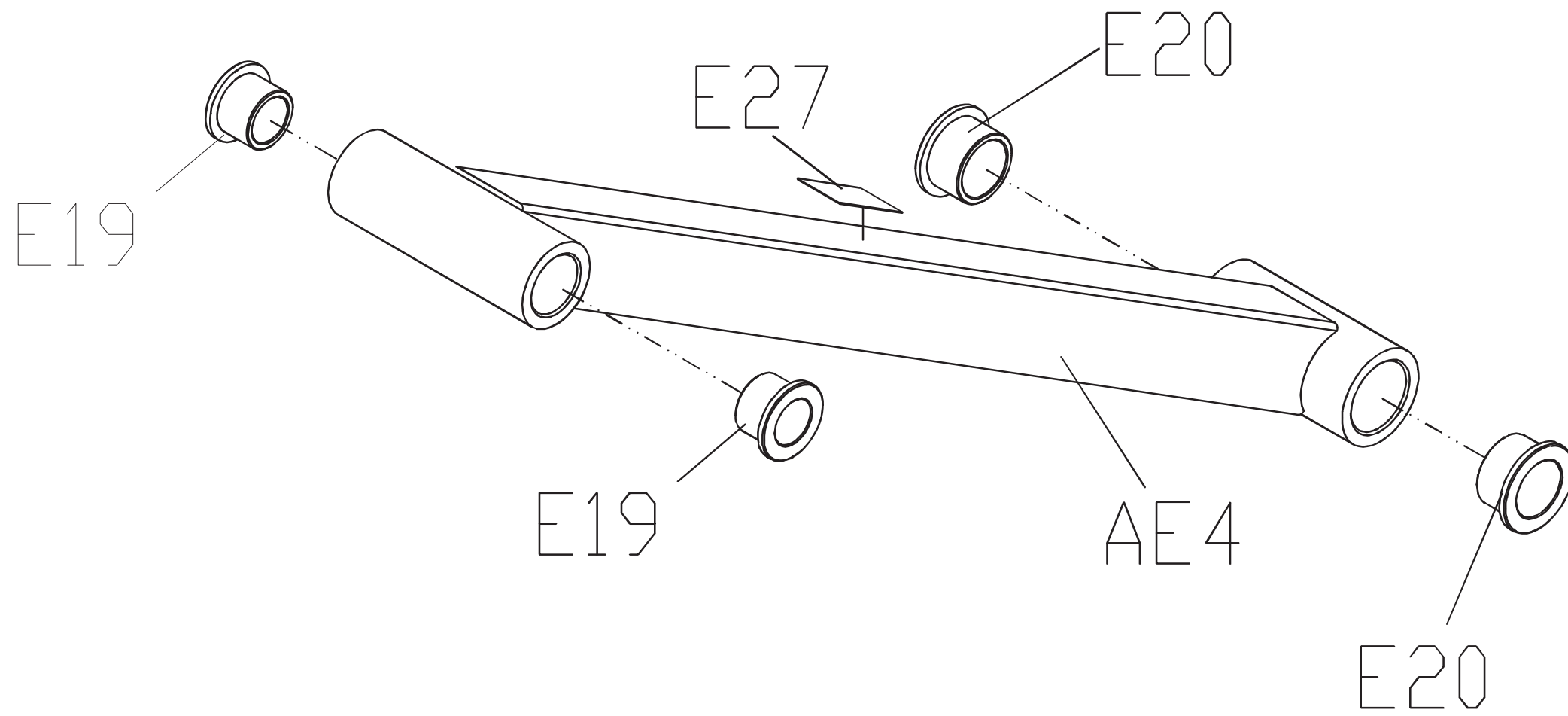


DRAWING NO	CS11-AE6		
PART NAME	PEDAL ARM SET		
PART NO	See attached ^{REV} E		
APPROVE	JARVIS	DATE	140416



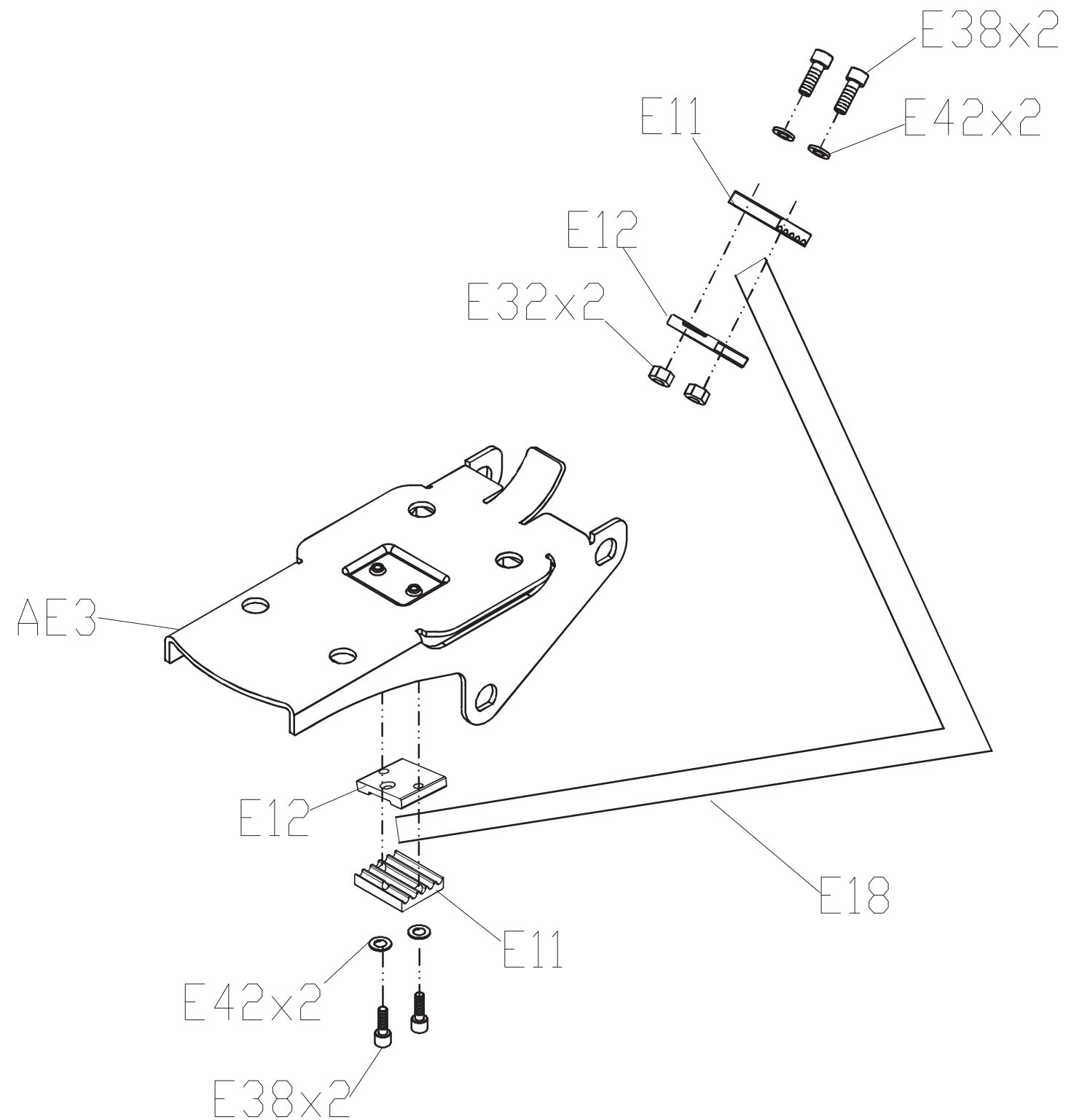
SAP NO.	Description
000090902	SLIVER
1000337781	Matte black
1000346588	SUN ORANGE

DRAWING NO	CS11-AE7		
PART NAME	PEDAL ARM SET		
PART NO	See attached REF		
APPROVE	JARVIS	DATE	140416



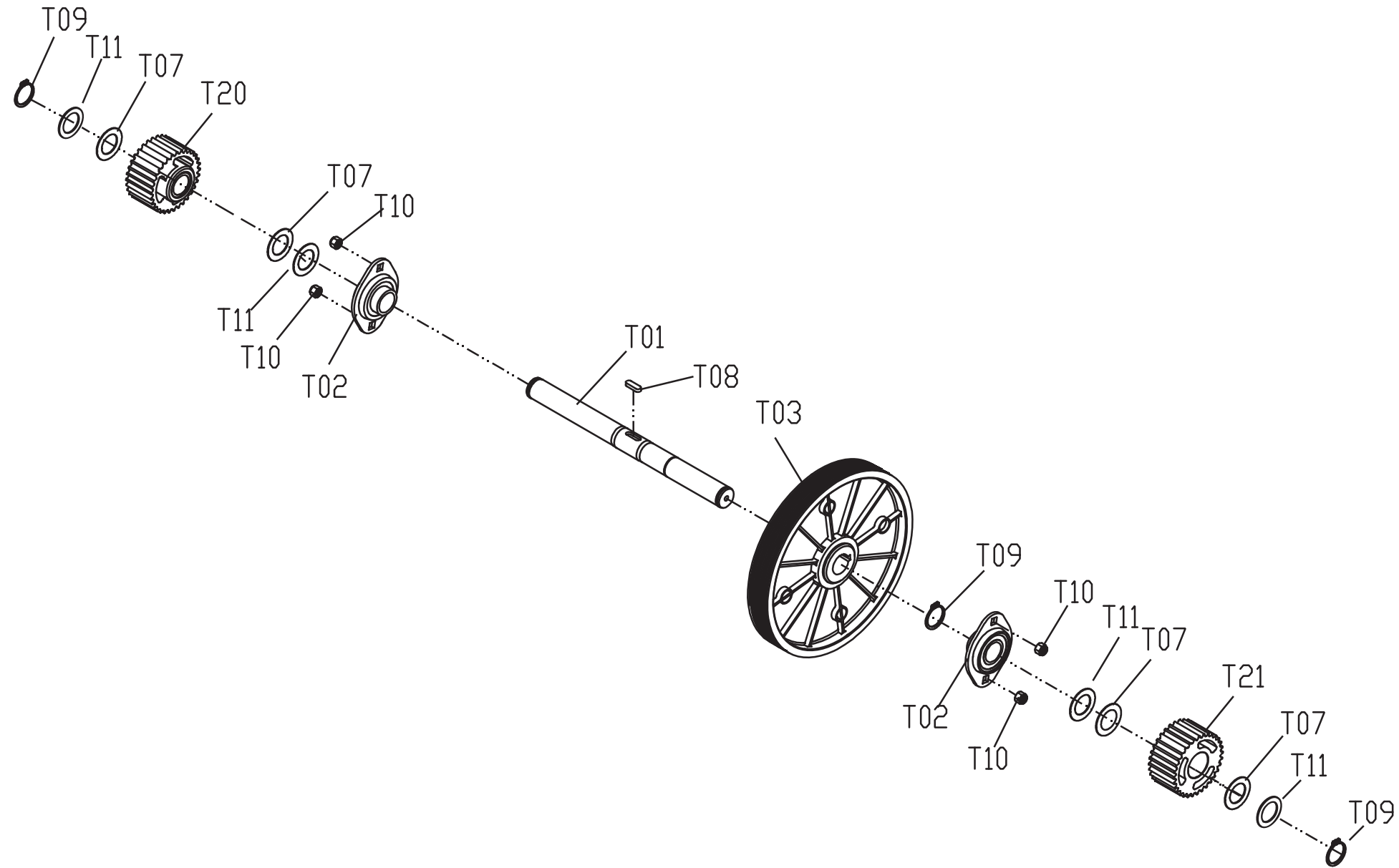
SAP NO.	Description
0000090904	SLIVER
1000341328	Matte black
1000346590	SUN ORANGE

DRAWING NO	CS11-AE8		
PART NAME	PEDAL SET		
PART NO	See attached ^R / _D		
APPROVE	JARVIS	DATE	140416

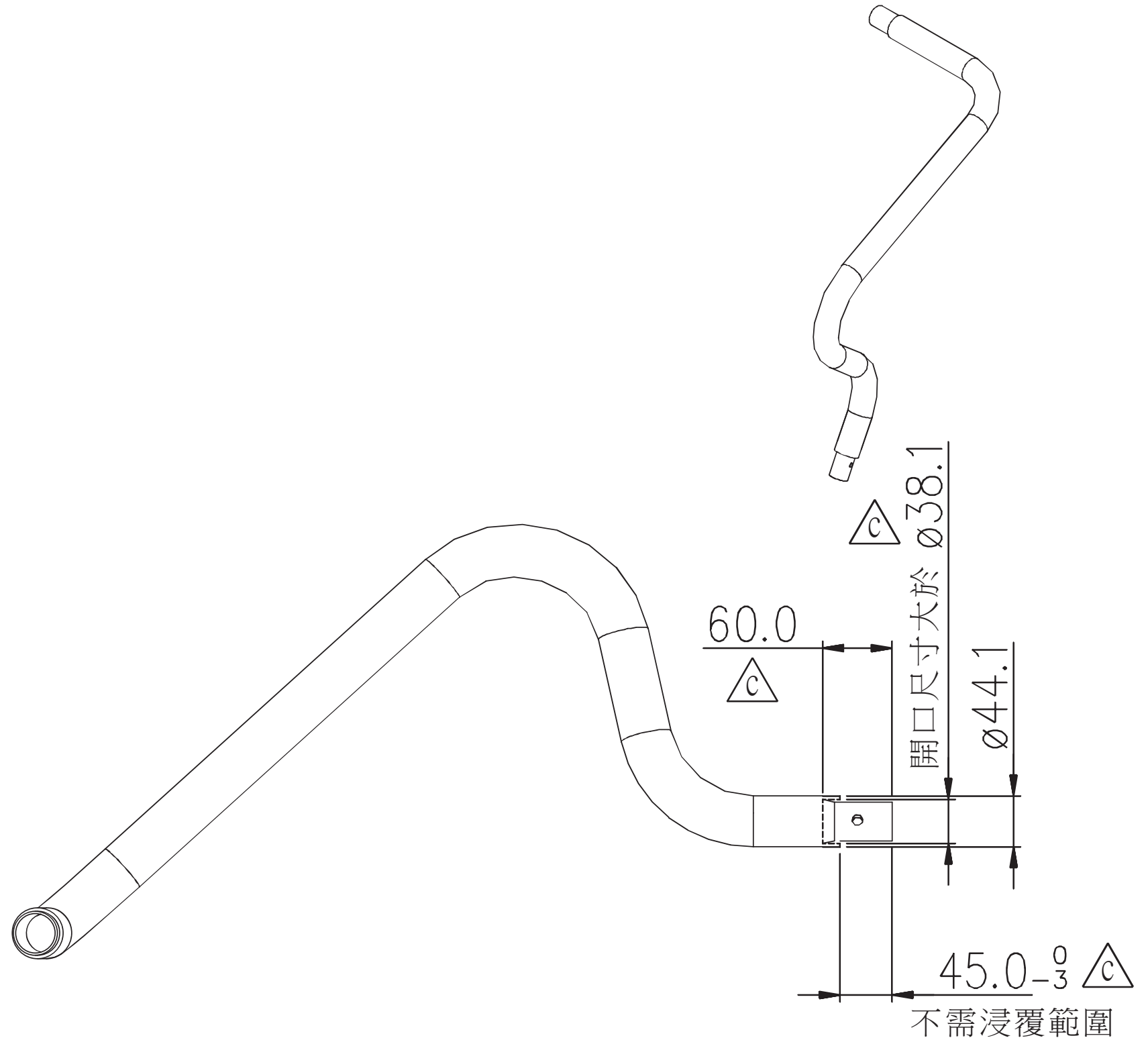
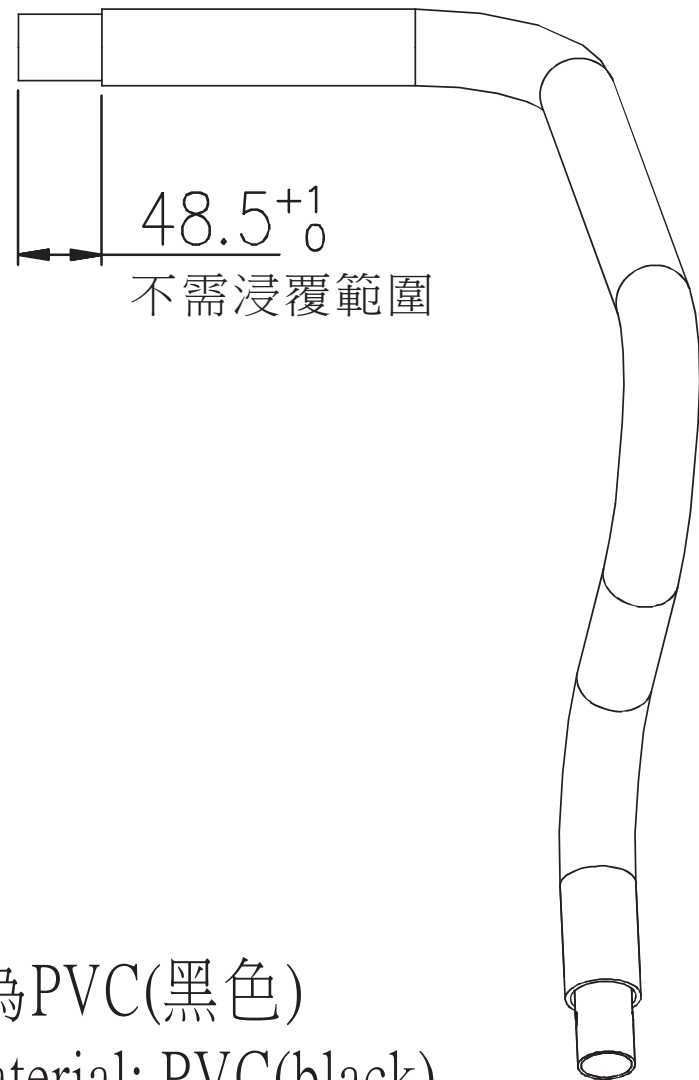


SAP NO.	Description
0000090906	SLIVER
1000341330	Matte black
1000346592	SUN ORANGE

DRAWING NO	CS11-AT1		
PART NAME	Pedal Transmission Set		
PART NO	0000090915 ^R / _E / _D		
APPROVE	tsaijw	DATE	20170125



DRAWING NO	CS08-AG11		
PART NAME	Right-Up Handlebar Set		
PART NO	0000093057	REV	C
APPROVE	AmelieFan	DATE	021816



註:

Notes:

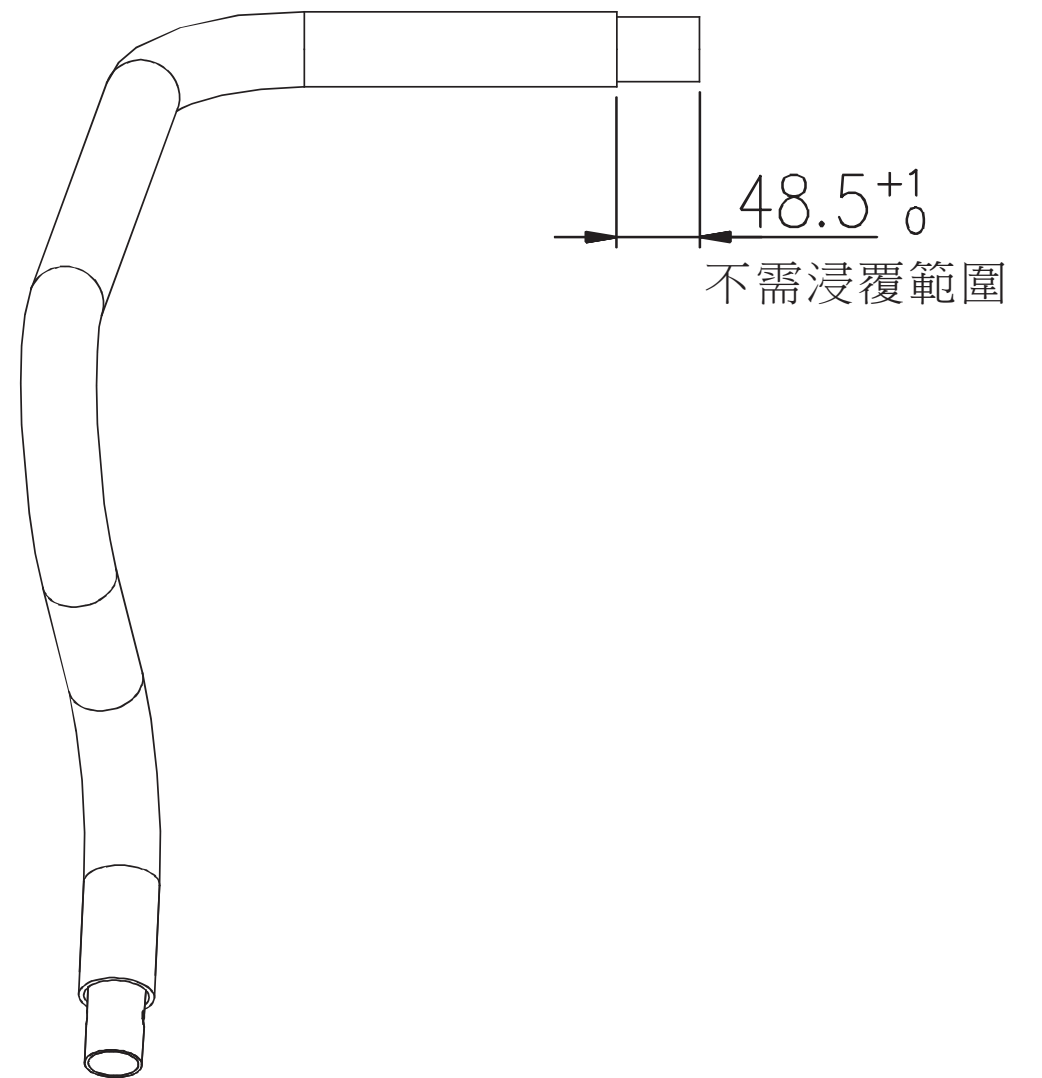
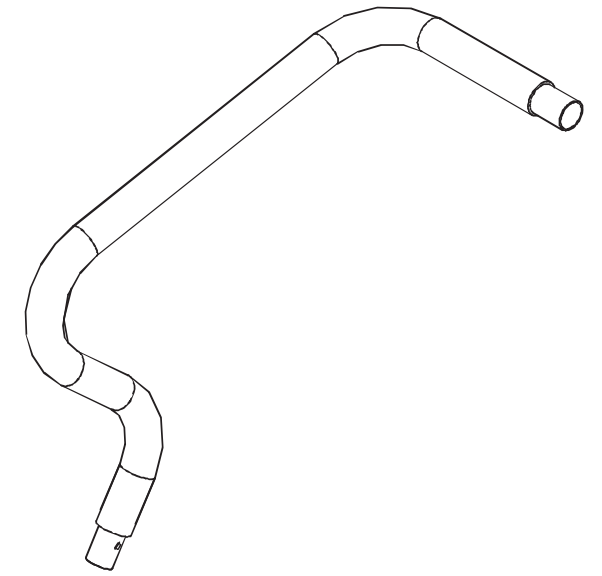
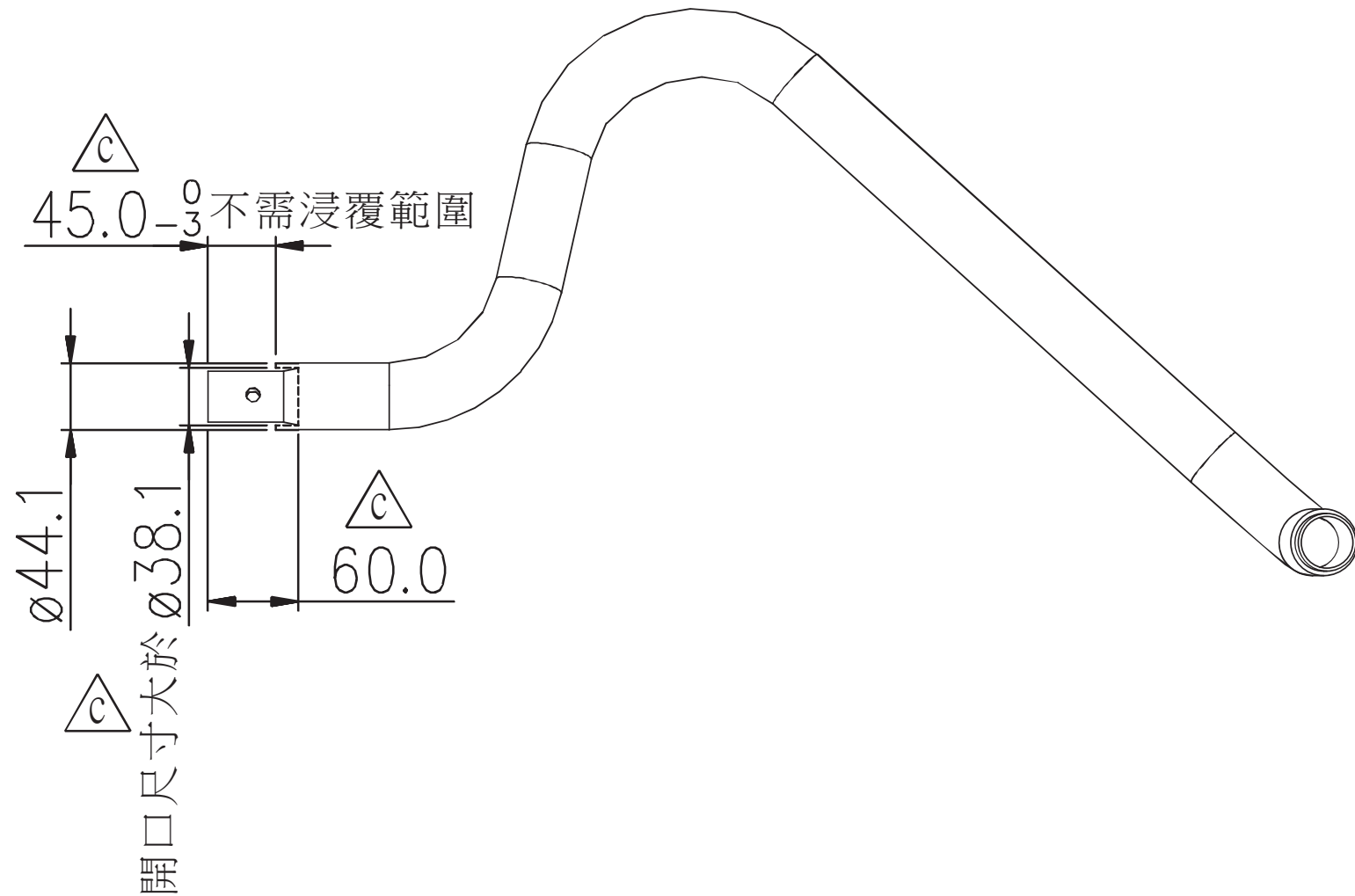
1. 浸覆材質為PVC(黑色)

Dipping material: PVC(black)

2. 浸覆厚度3.0 (平均厚度)

Dipping thickness: 3.0

DRAWING NO	CS08-AG12		
PART NAME	Left-Up Handlebar Set		
PART NO	0000093058	REV	C
APPROVE	AmelieFan	DATE	021816



註:

Notes:

1. 浸覆材質為PVC(黑色)

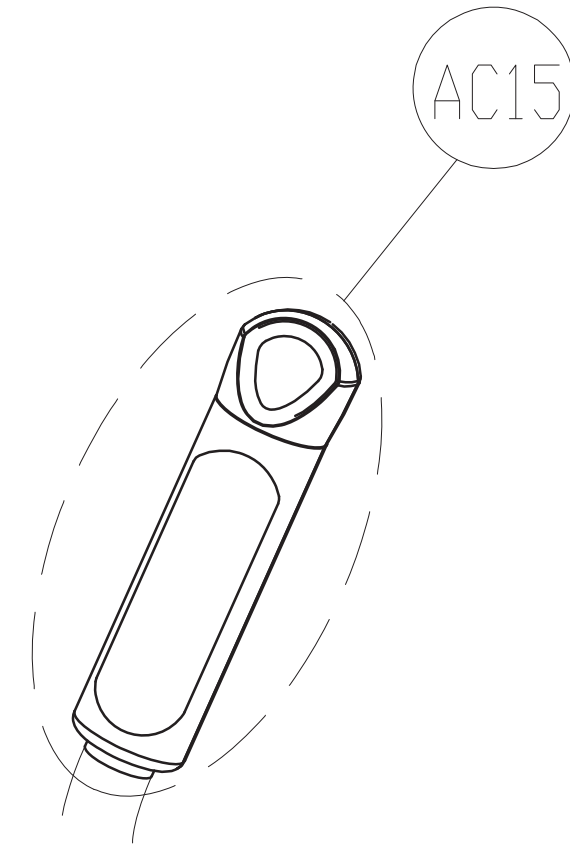
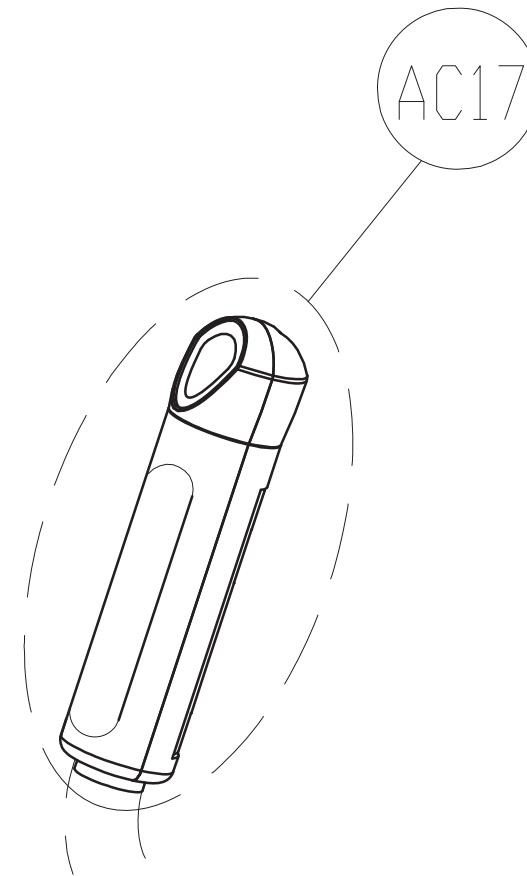
Dipping material: PVC(black)

2. 浸覆厚度3.0 (平均厚度)

Dipping thickness: 3.0

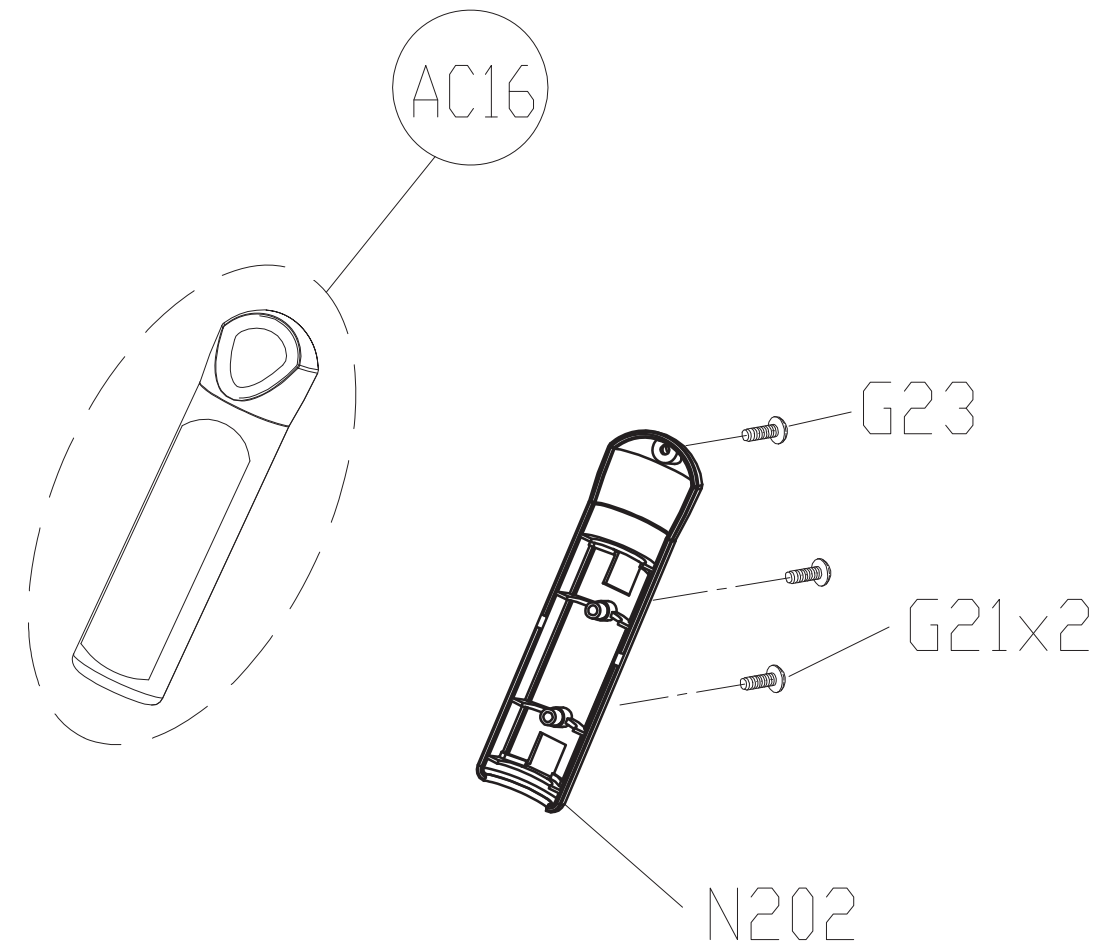
DRAWING NO	CB72-AC14		
PART NAME	Grip Set;Sensor		
PART NO	As Attachment ^{REV} E		
APPROVE	Rain	DATE	2011.04.28

Part NO	Description
0000093119	Grip Set;Sensor;English;H5x-F
1000213983	Grip Set;Sensor;Holland;H5x-F
1000213984	Grip Set;Sensor;Franc;H5x-F
1000213985	Grip Set;Sensor;Germany;H5x-F
1000213986	Grip Set;Sensor;Spain;H5x-F
1000213987	Grip Set;Sensor;Ital;H5x-F
1000216857	Grip Set;Sensor;Poland;H5x-F
0000093247	Grip Set;Sensor;Japan;H5x-F
0000093192	Grip Set;Sensor;English;H3x-01
1000216852	Grip Set;Sensor;Holland;H3x-01
1000216853	Grip Set;Sensor;France;H3x
1000216854	Grip Set;Sensor;Germany;H3x
1000216855	Grip Set;Sensor;Spain;H3x
1000216856	Grip Set;Sensor;Italy;H3x
0000093496	Grip Set;Sensor;Japan;H3x



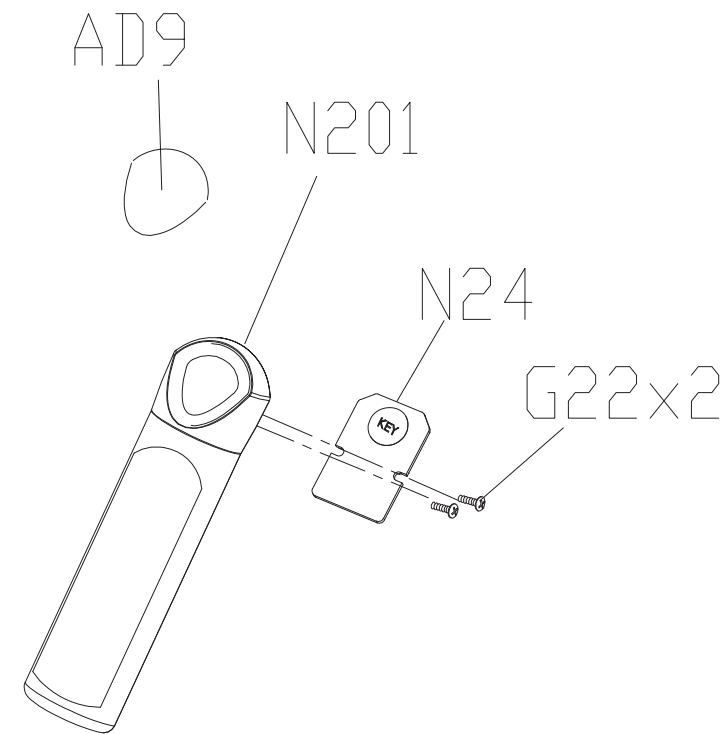
DRAWING NO	CB72-AC15		
PART NAME	Grip Set;Sensor;Right		
PART NO	As Attachment ID		
APPROVE	Rain	DATE	2011.04.28

Part NO	Description
0000091704	Grip Set;Sensor;Right;ENG;H5x-F
1000213968	Grip Set;Sensor;Right;Holland;H5x-F
1000213969	Grip Set;Sensor;Right;France;H5x-F
1000213970	Grip Set;Sensor;Right;Germany;H5x-F
1000213971	Grip Set;Sensor;Right;Spain;H5x-F
1000213972	Grip Set;Sensor;Right;Italy;H5x-F
1000216831	Grip Set;Sensor;Right;Poland;H5x-F
0000091654	Grip Set;Sensor;Right;JAP;H5x-F
0000092539	Grip Set;Sensor;Right;ENG;H3x-01
1000216826	Grip Set;Sensor;Right;Holland;H3x
1000216827	Grip Set;Sensor;Right;France;H3x
1000216828	Grip Set;Sensor;Right;Germany;H3x
1000216829	Grip Set;Sensor;Right;Spain;H3x
1000216830	Grip Set;Sensor;Right;Italy;H3x
0000092984	Grip Set;Sensor;Right;JAP;H3x



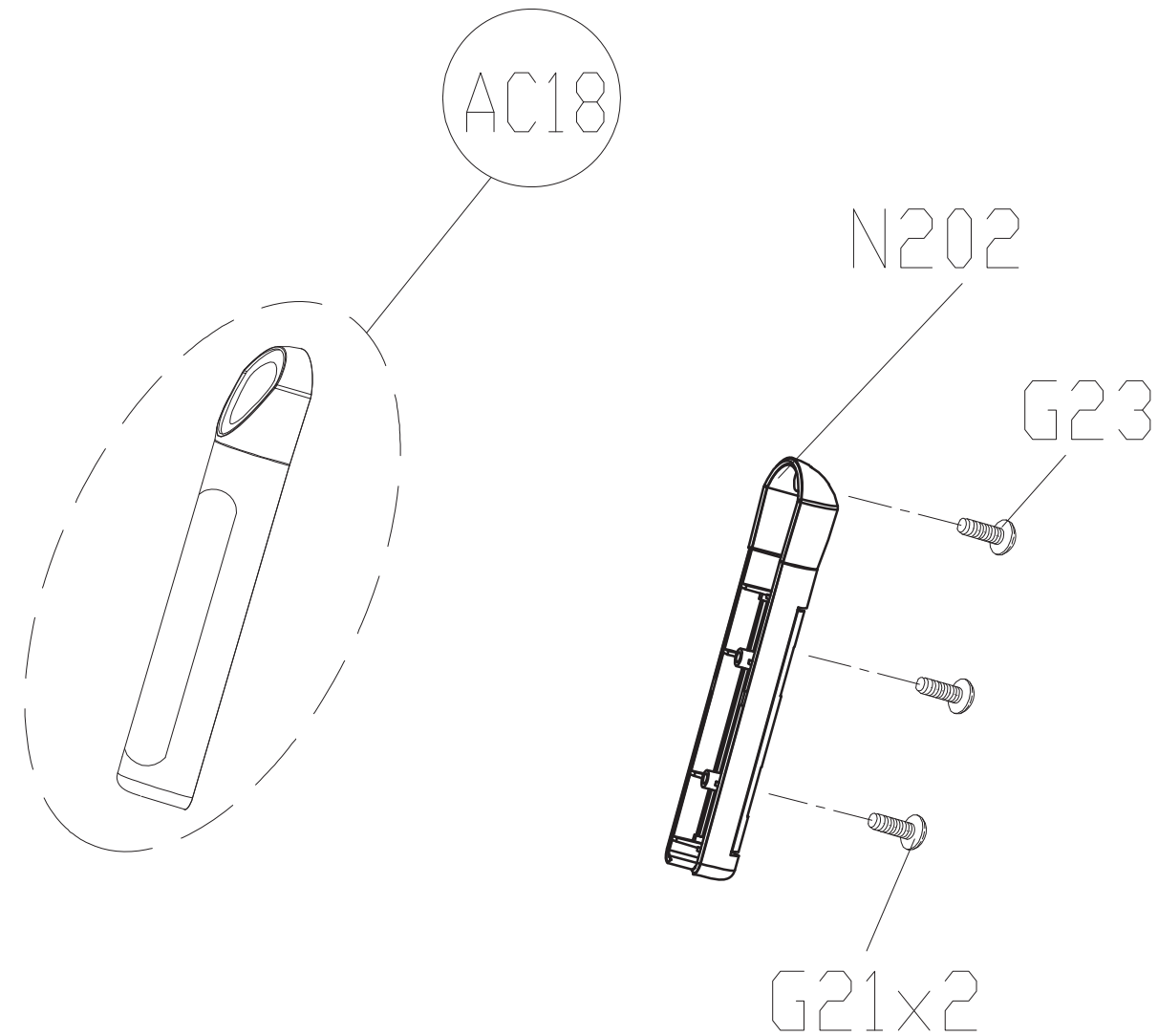
DRAWING NO	CB72-AC16		
PART NAME	Sensor Set;Right		
PART NO	As Attachment		
APPROVE	SHUYI	DATE	12.23.10

Part NO	Description
0000091705	Sensor Set;Right;ENG;H5x-F
0000091655	Sensor Set;Right;JAP;H5x-F
0000092540	Sensor Set;Right;ENG;H3x-01
0000092985	Sensor Set;Right;JAP;H3x
0000088307	Sensor Set;Right;ENG;U5x-F
1000213166	Sensor Set;Right;JAP;U5x-F
0000092515	Sensor Set;Right;ENG;U3x-01
0000092973	Sensor Set;Right;JAP;U3x
0000092571	Sensor Set;Right;ENG;R3x-01
0000092997	Sensor Set;Right;JAP;R3x



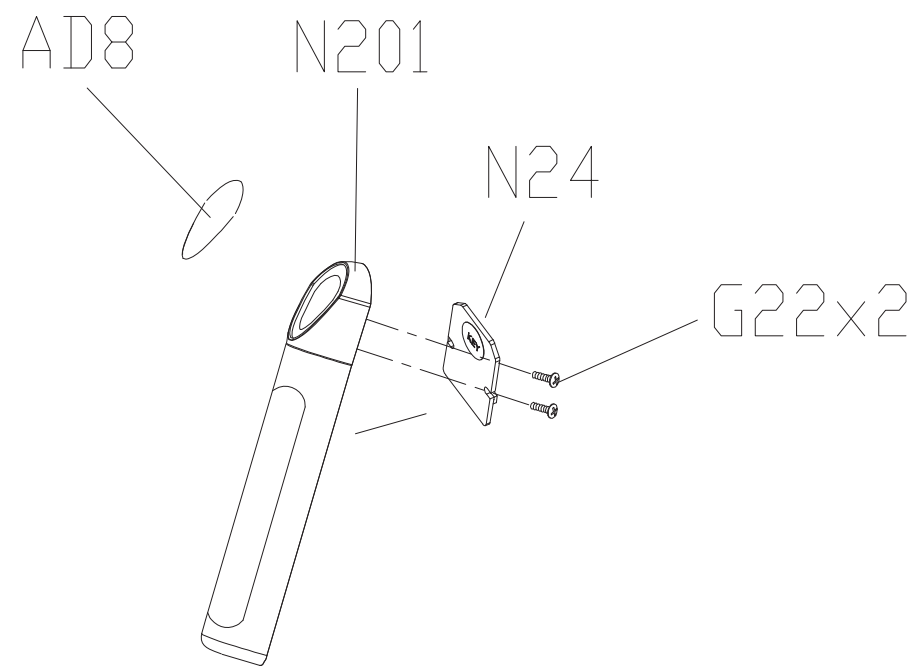
DRAWING NO	CB72-AC17		
PART NAME	Grip Set;Sensor;Light		
PART NO	As Attachment		
APPROVE	Rain	DATE	2011.04.28

Part NO	Description
0000091706	Grip Set;Sensor;Light;ENG;H5x-F
1000213973	Grip Set;Sensor;Light;Holland;H5x-F
1000213974	Grip Set;Sensor;Light;France;H5x-F
1000213975	Grip Set;Sensor;Light;Germany;H5x-F
1000213976	Grip Set;Sensor;Light;Spain;H5x-F
1000213977	Grip Set;Sensor;Light;Italy;H5x-F
1000216837	Grip Set;Sensor;Light;Poland;H5x-F
0000091658	Grip Set;Sensor;Light;JAP;H5x-F
0000092542	Grip Set;Sensor;Light;ENG;H3x-01
1000216832	Grip Set;Sensor;Light;Holland;H3x
1000216833	Grip Set;Sensor;Light;France;H3x
1000216834	Grip Set;Sensor;Light;Germany;H3x
1000216835	Grip Set;Sensor;Light;Spain;H3x
1000216836	Grip Set;Sensor;Light;Italy;H3x
0000092986	Grip Set;Sensor;Light;JAP;H3x

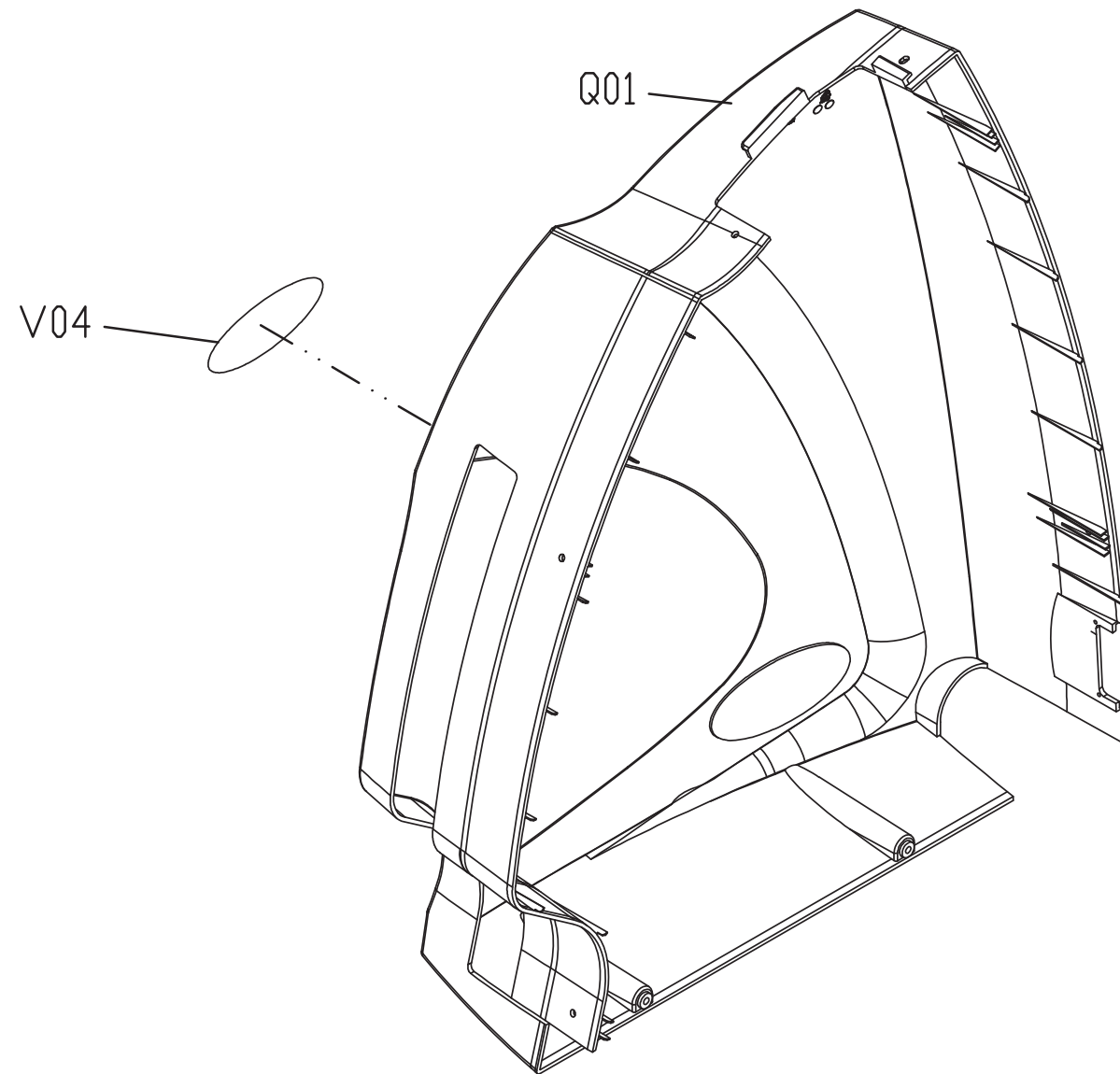


DRAWING NO	CB72-AC18		
PART NAME	Sensor Set;Left		
PART NO	As Attachment ^{RF} C		
APPROVE	SHUYI	DATE	2010.12.23

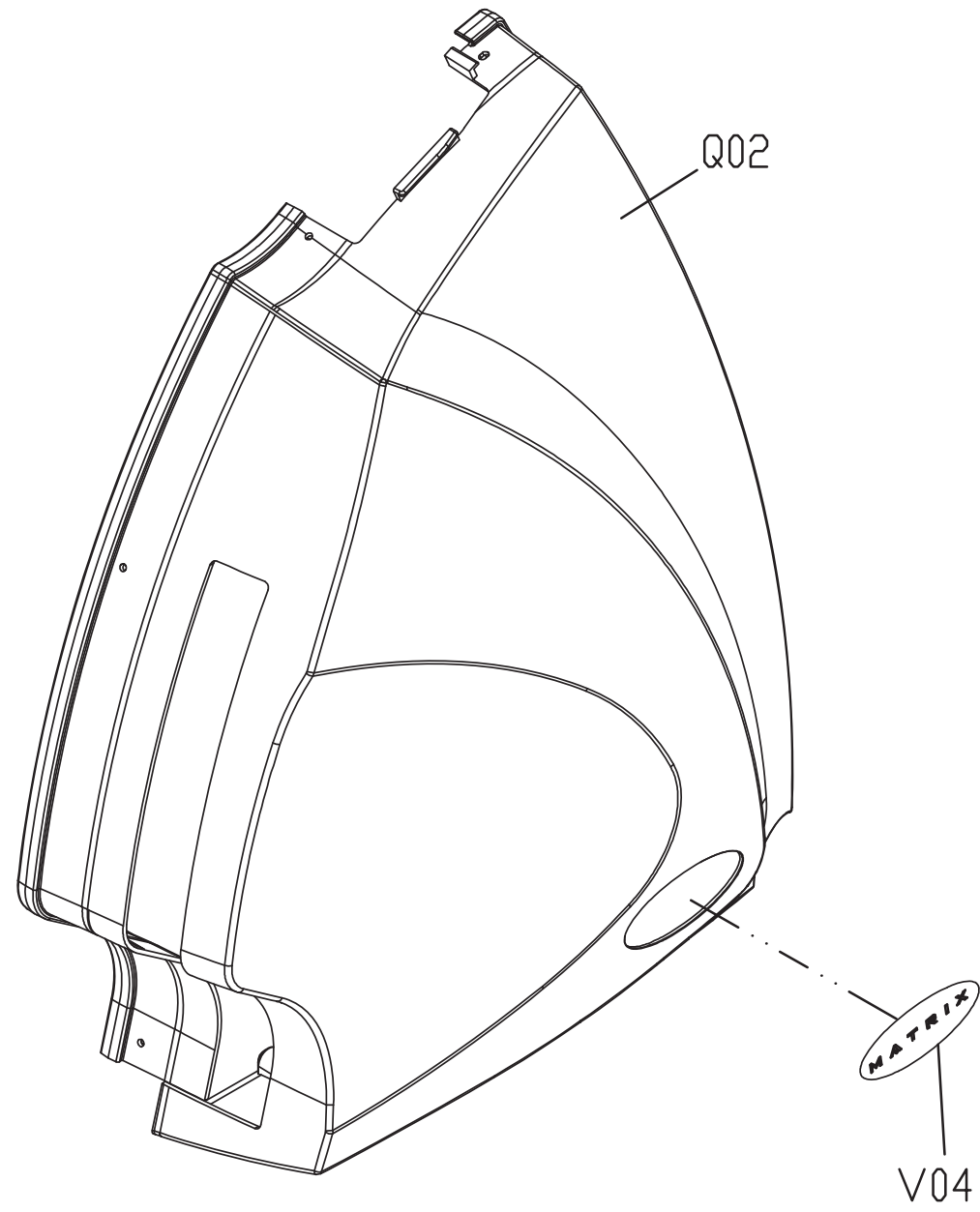
Part NO	Description
0000091707	Grip Set;Sensor;Left;ENG;H5x-F
0000091659	Grip Set;Sensor;Left;JAP;H5x-F
0000092543	Grip Set;Sensor;Left;ENG;H3x-01
0000092987	Grip Set;Sensor;Left;JAP;H3x
0000089919	Grip Set;Sensor;Left;ENG;U5x-F
1000213168	Grip Set;Sensor;Left;JAP;U5x-F
0000092517	Grip Set;Sensor;Left;ENG;U3x-01
0000092975	Grip Set;Sensor;Left;JAP;U3x
0000092573	Grip Set;Sensor;Left;ENG;R3x-01
0000092999	Grip Set;Sensor;Left;JAP;R3x



DRAWING NO	CS11B-AQ11		
PART NAME	LEFT COVER SET		
PART NO	1000216360	REV	A
APPROVE	KEN	DATE	050511

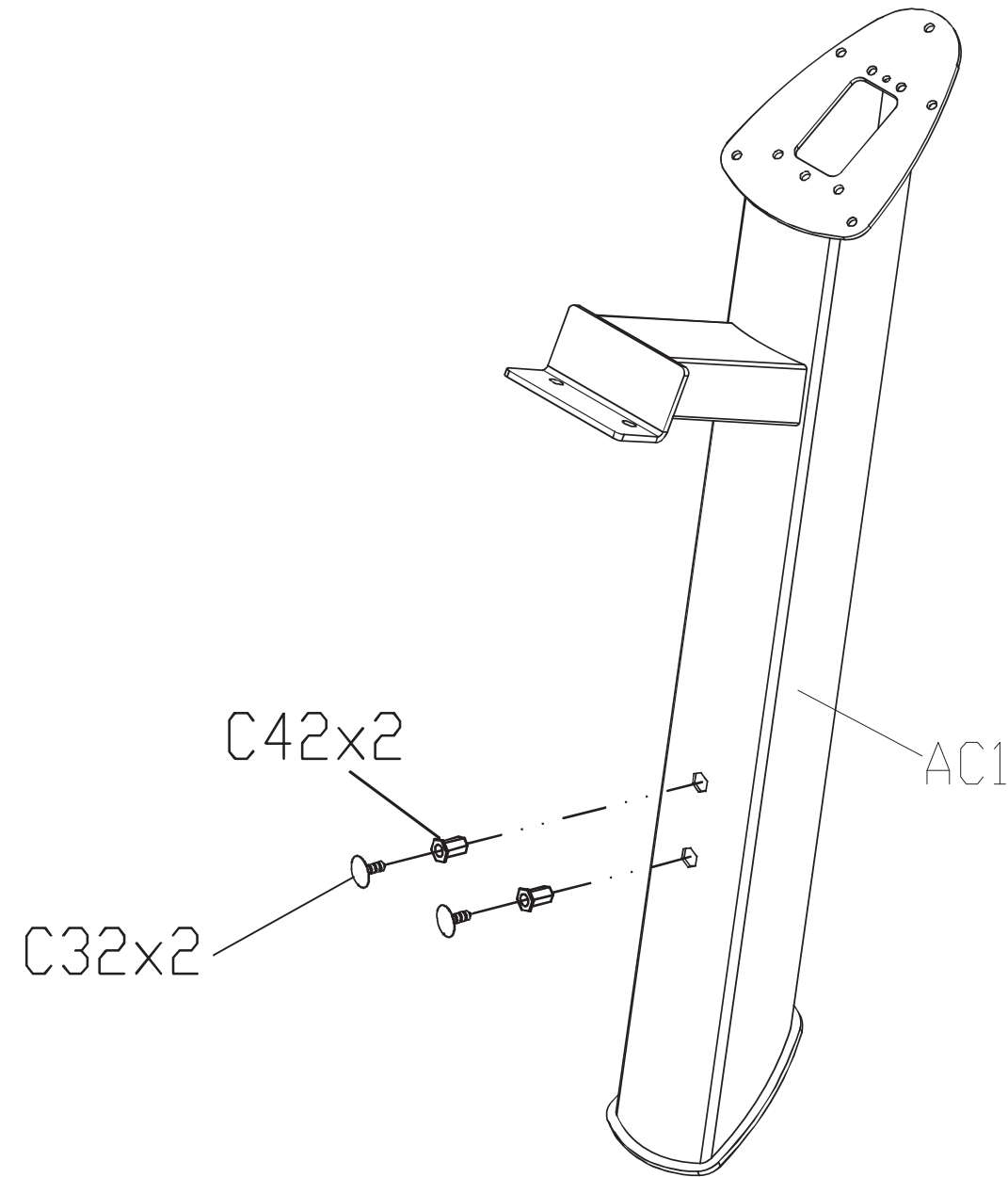


DRAWING NO	CS11B-AQ12		
PART NAME	RIGHT COVER SET		
PART NO	1000216363 ^R _V A		
APPROVE	KEN	DATE	050511



DRAWING NO	CS11B-AC2		
PART NAME	Console Mast Set		
PART NO	As Attached Chart  E		
APPROVE	Eason	DATE	20141022

SAP NO.	Description
1000216367	SLIVER
1000337778	Black matte
1000348785	Black matte(Fitness park)
1000348795	Black matte(Moving express)
1000348982	Black matte(Groupe moving)
1000355481	Red (Workout Anytime)



DRAWING NO	CS11B-AP12		
PART NAME	E-PORT Fix Plate Set		
PART NO	1000231366 ^R ₁ A		
APPROVE	YUTING	DATE	032912

