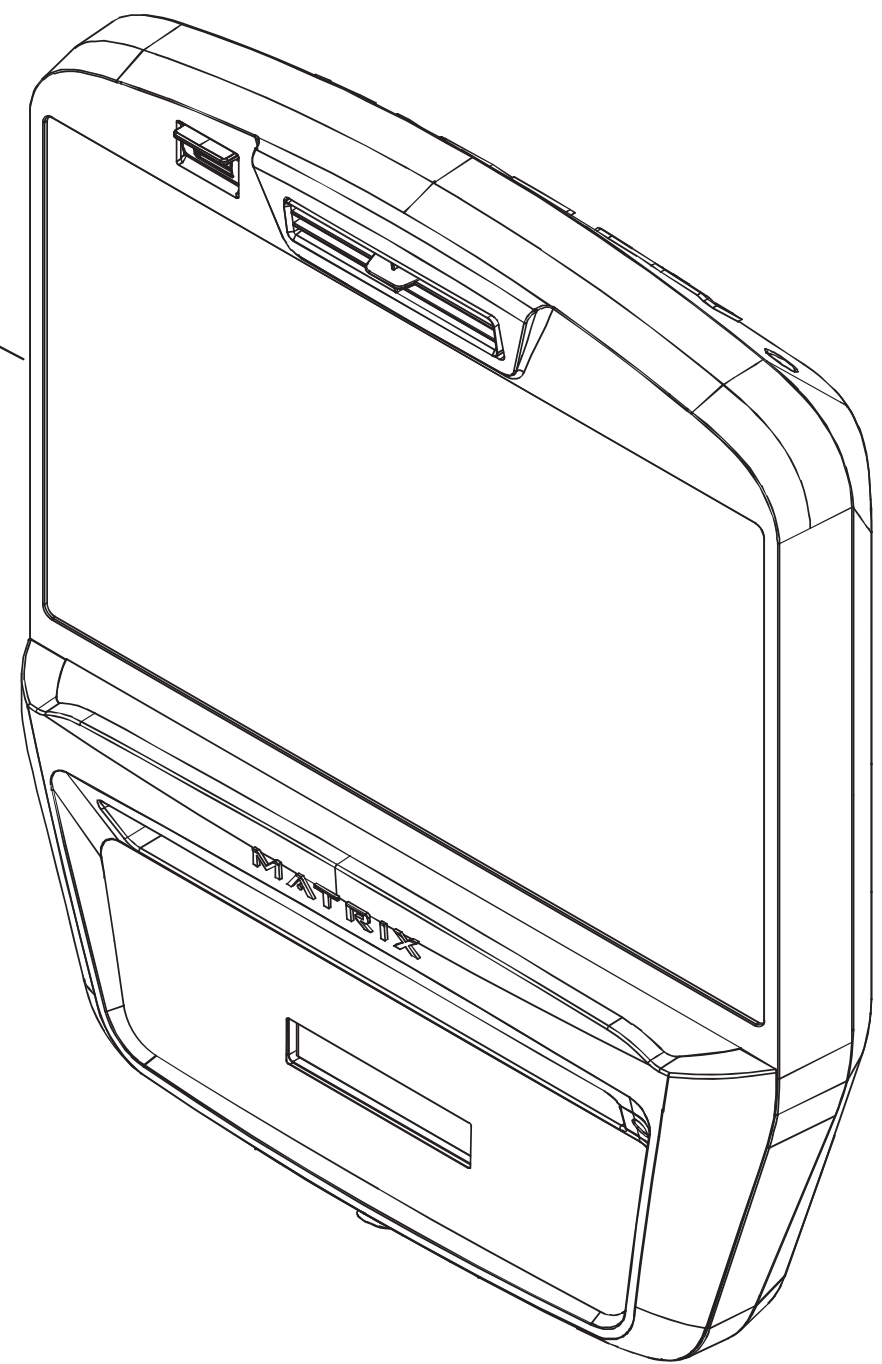


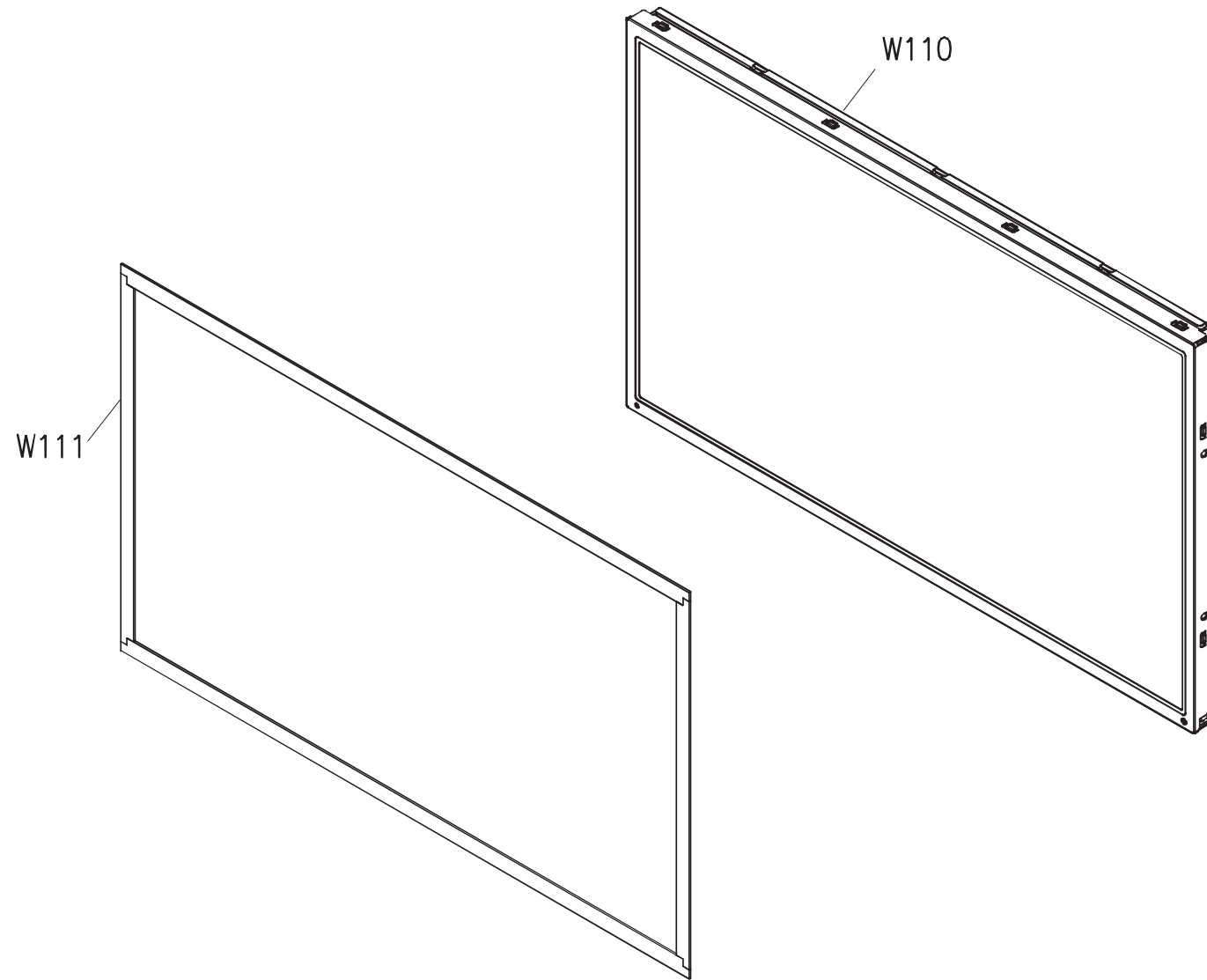
DRAWING NO	EP621-A04		
PART NAME	ASSEMBLY VIEW		
PART NO	1000356528 <small>REV</small> A		
APPROVE	Hunter	DATE	20150122

21

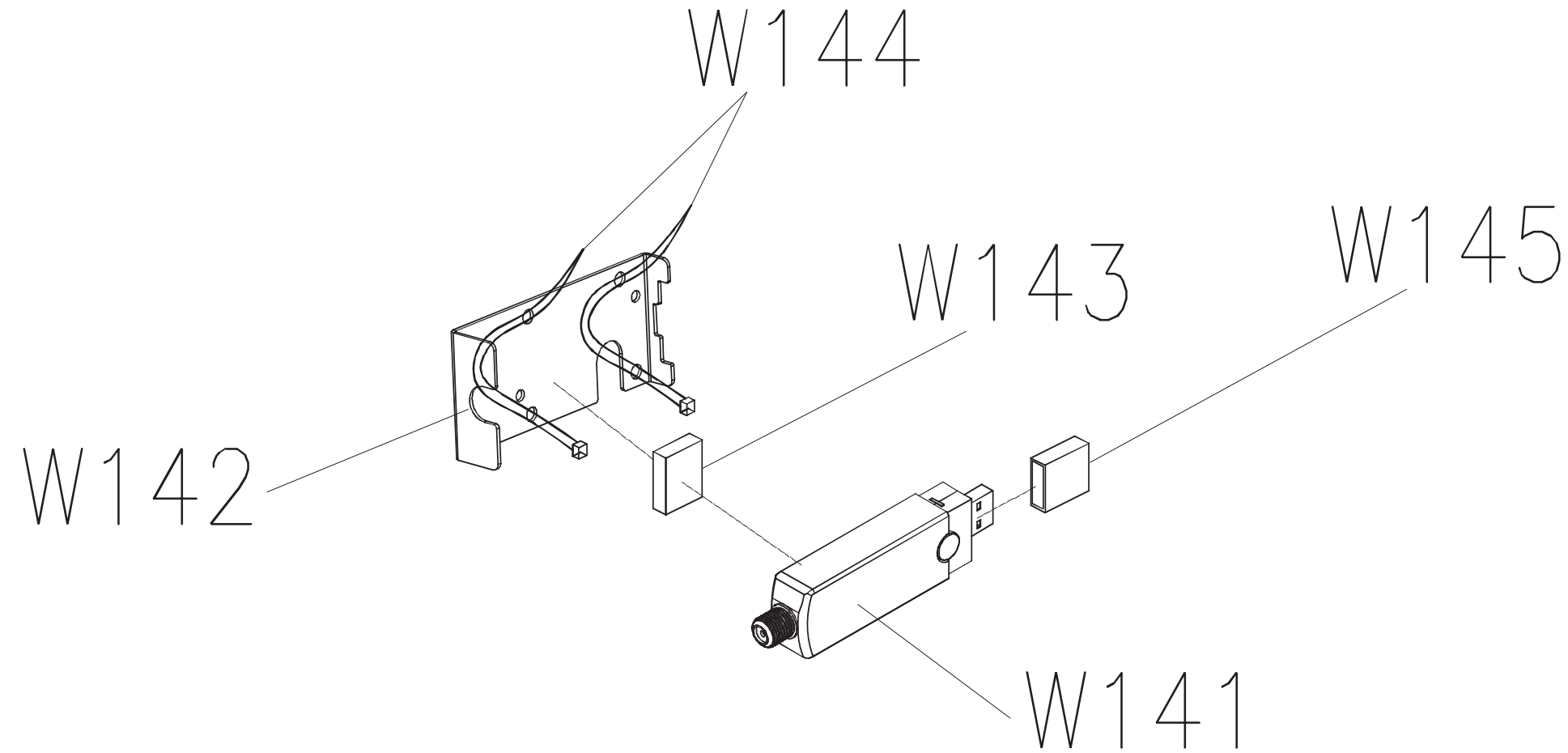


SAP PART NO
MEP0450-00
MEP0451-00

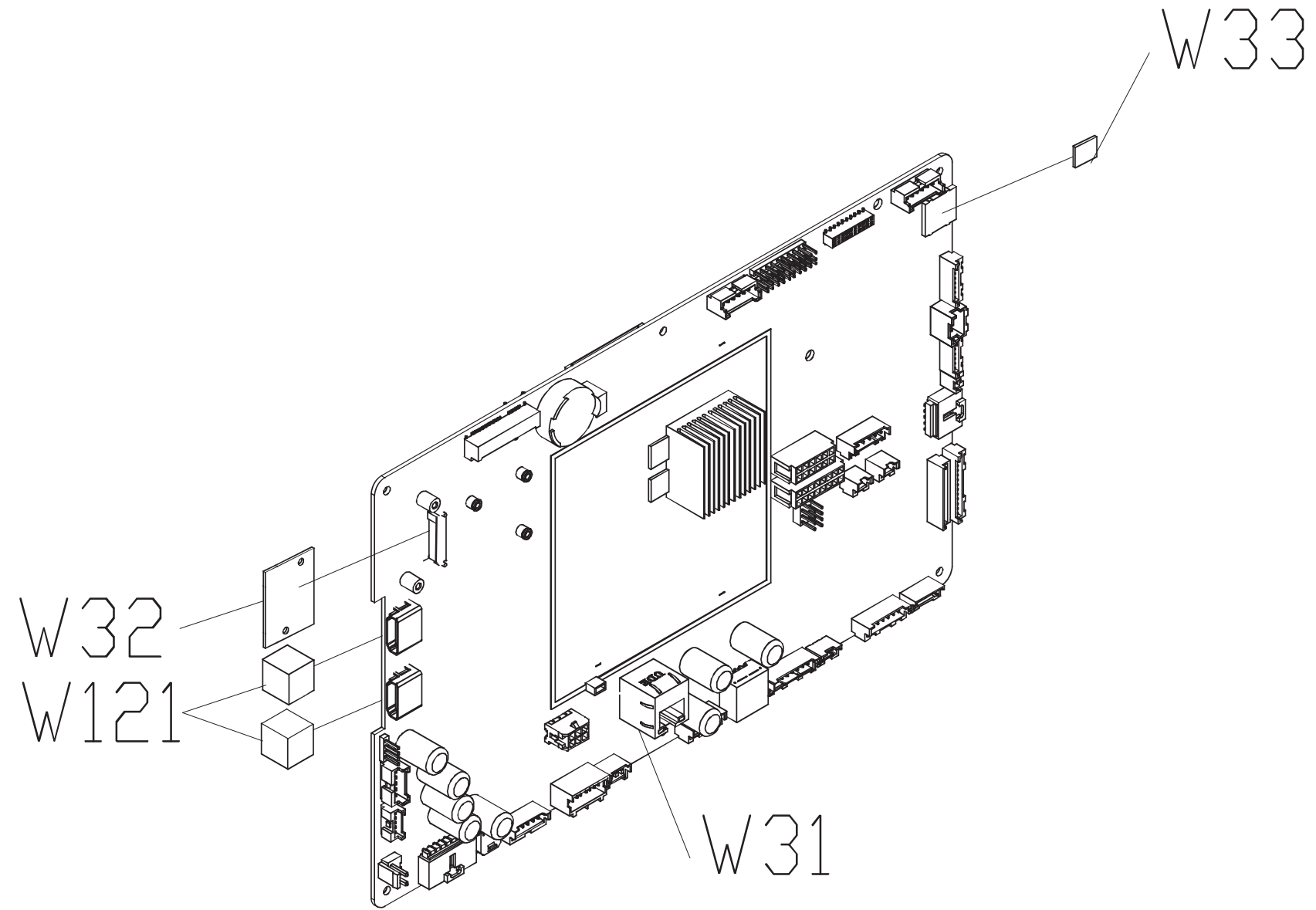
DRAWING NO	EP621-W93		
PART NAME	TFT-LCD module set;15.6 inch		
PART NO	1000356624 ^R / _E A		
APPROVE	Hunter	DATE	012715



DRAWING NO	EP614C-AW51		
PART NAME	TV STICK SET		
PART NO	1000356574 ^{REV} B		
APPROVE	Sunny	DATE	030416



DRAWING NO	EP621-AW31		
PART NAME	Control Board Set		
PART NO	1000356607	REV	G
APPROVE	Hsinyen	DATE	092715



DRAWING NO	EP620-AN31		
PART NAME	Earphone board set		
PART NO	1000366515 ^{REV} B		
APPROVE	Heady	DATE	2015.06.2

