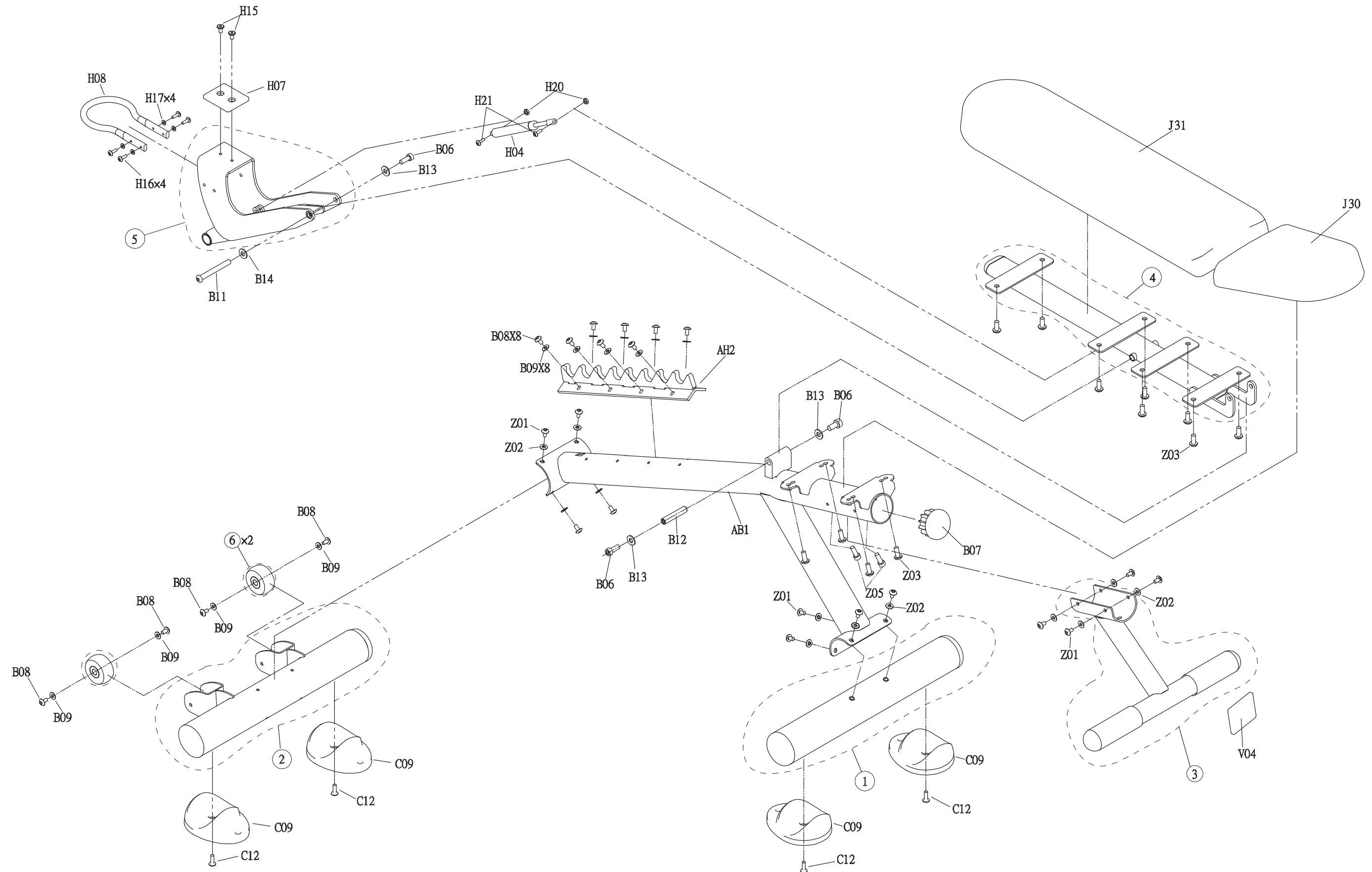
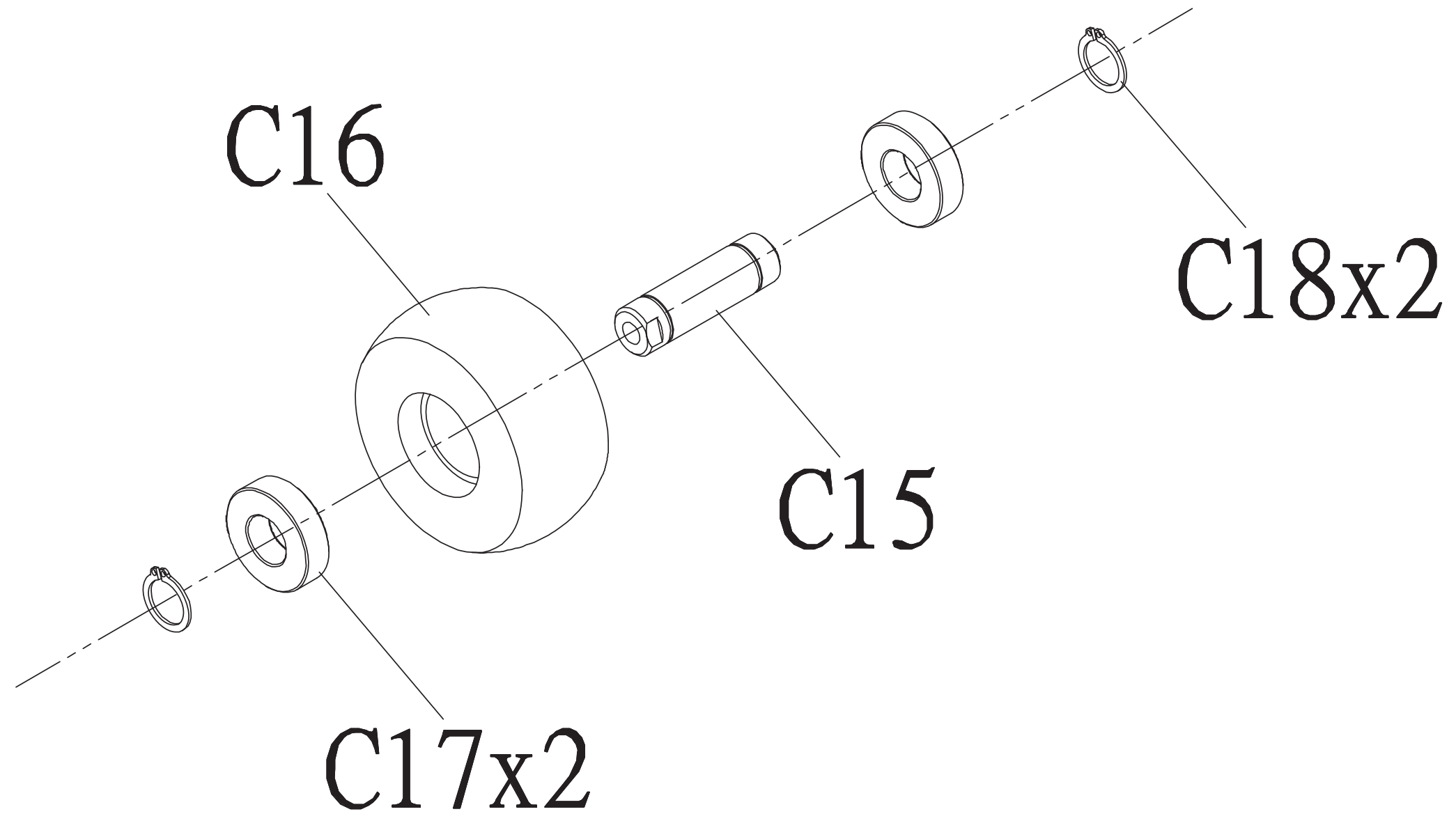


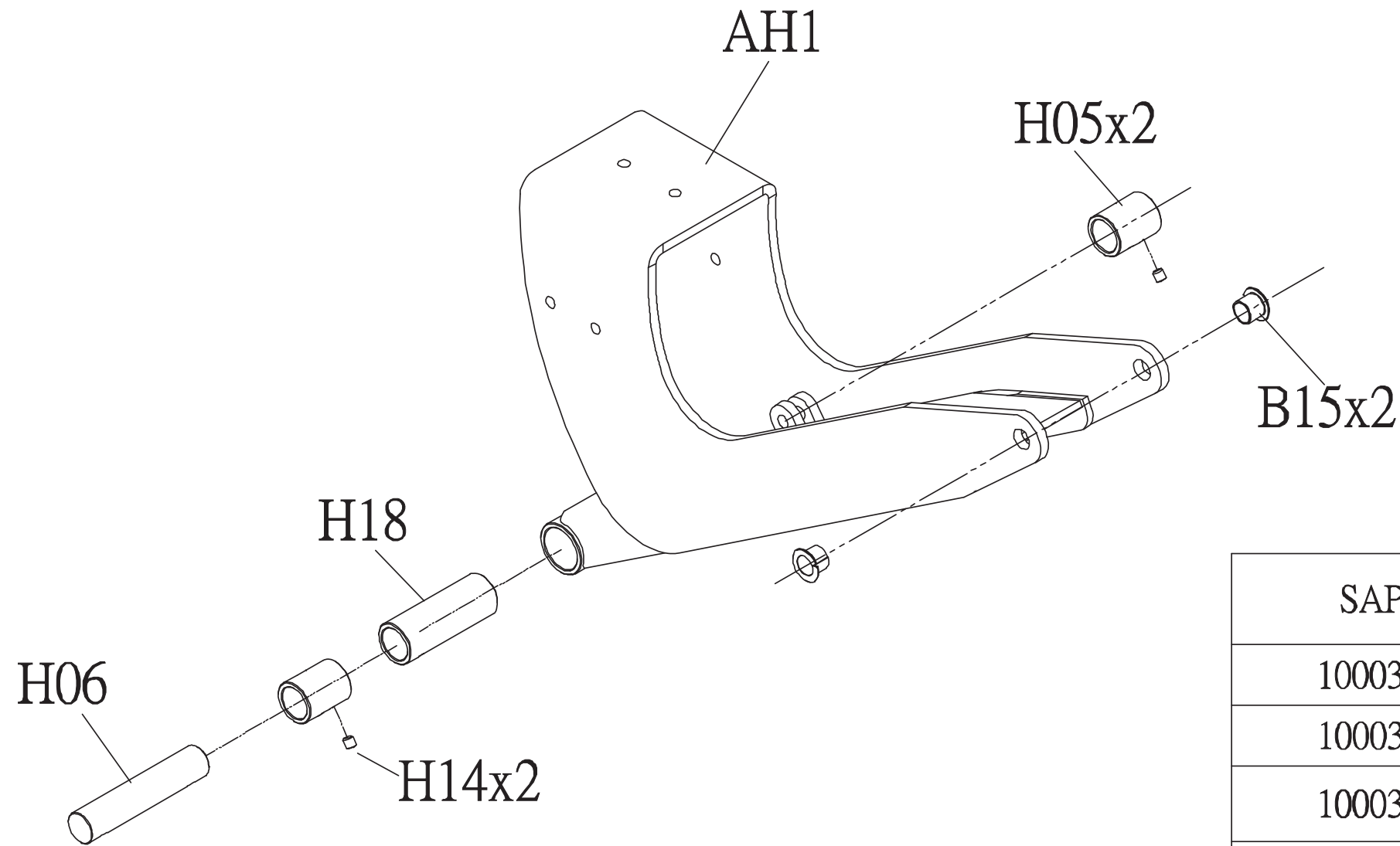
DRAWING NO	PG3FW98-KM		
PART NAME	FW98-A03		
PART NO	MFW0278-00		
APPROVE	Zhouping	DATE	20170516



DRAWING NO	FW80-SF04		
PART NAME	Roller Set		
PART NO	024089-Z	REV	B
APPROVE	Cindy	DATE	2016.8.29

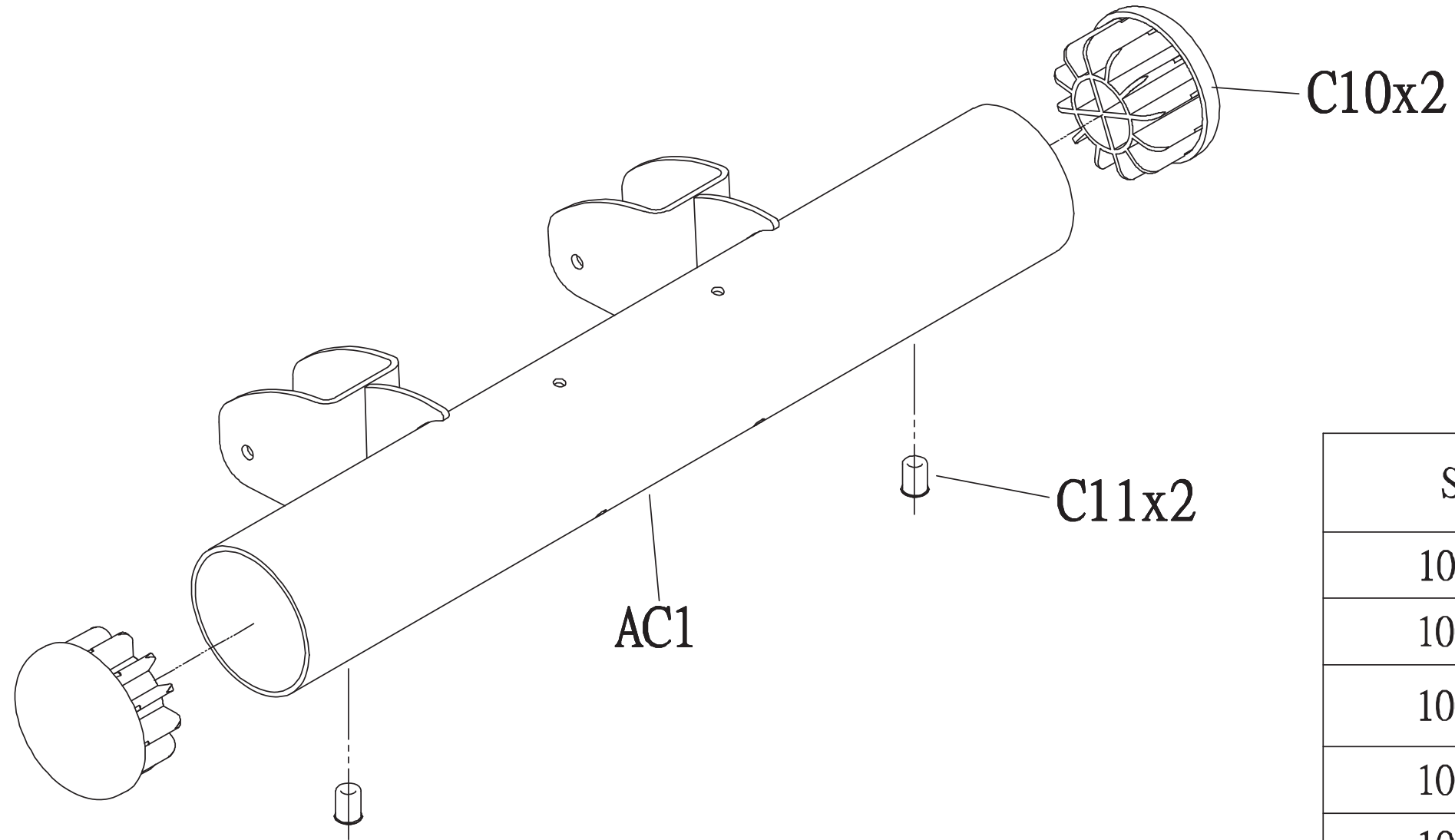


DRAWING NO	FW98-SF01		
PART NAME	Adjustable Set		
PART NO	See Chart	REV	C
APPROVE	Chendongming	DATE	2017.3.06



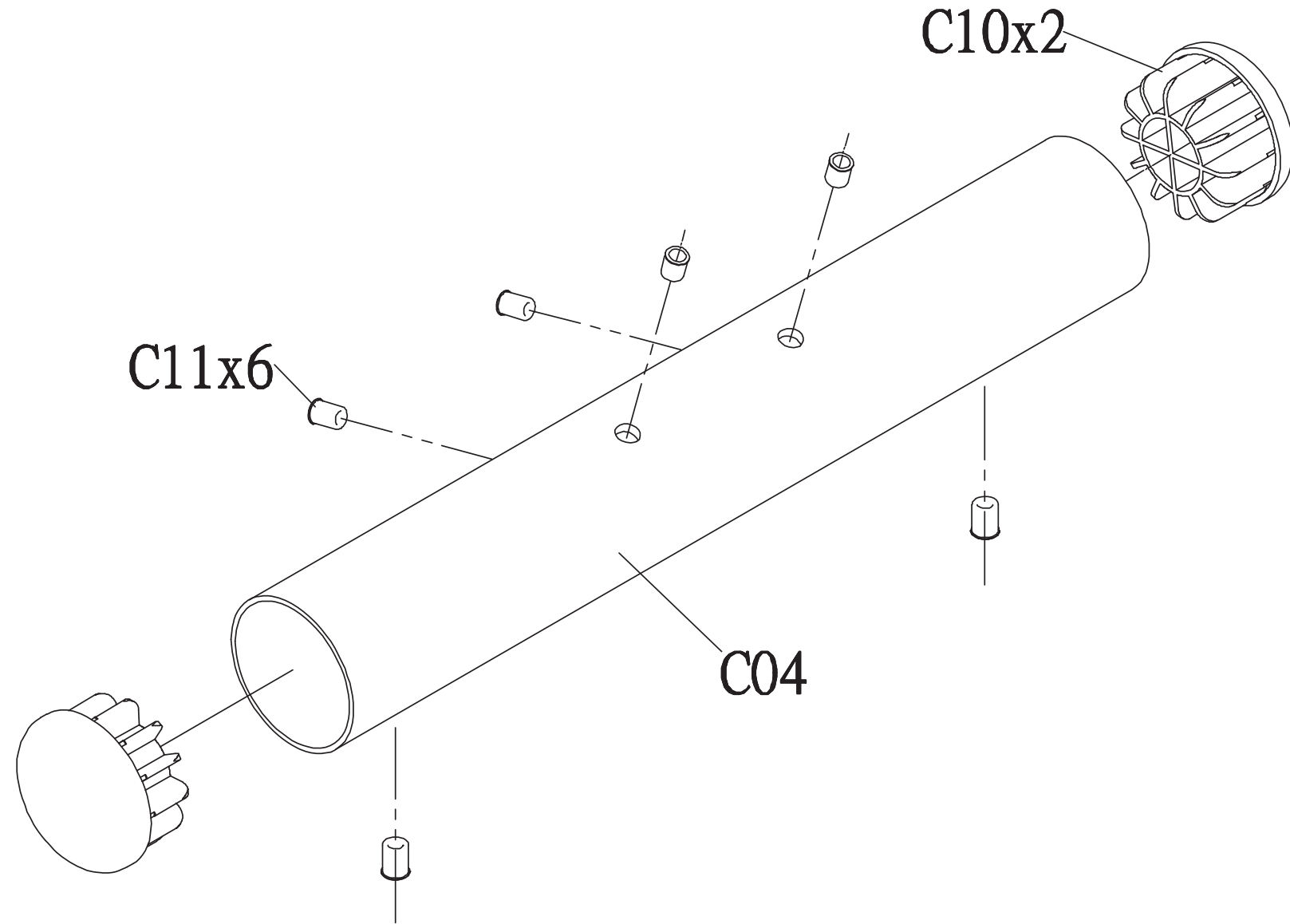
SAP NO.	Color
1000350344	Black Matte
1000396137	Platinum
1000396139	Polarized Titanium
1000396145	Pearl White
1000349122	Iced Sliver
1000396141	Lace White
1000396143	Black Glossy
1000093502	Default

DRAWING NO	FW98-SF02		
PART NAME	Base Set		
PART NO	See Chart	REV	B
APPROVE	Cindy	DATE	2016.8.29



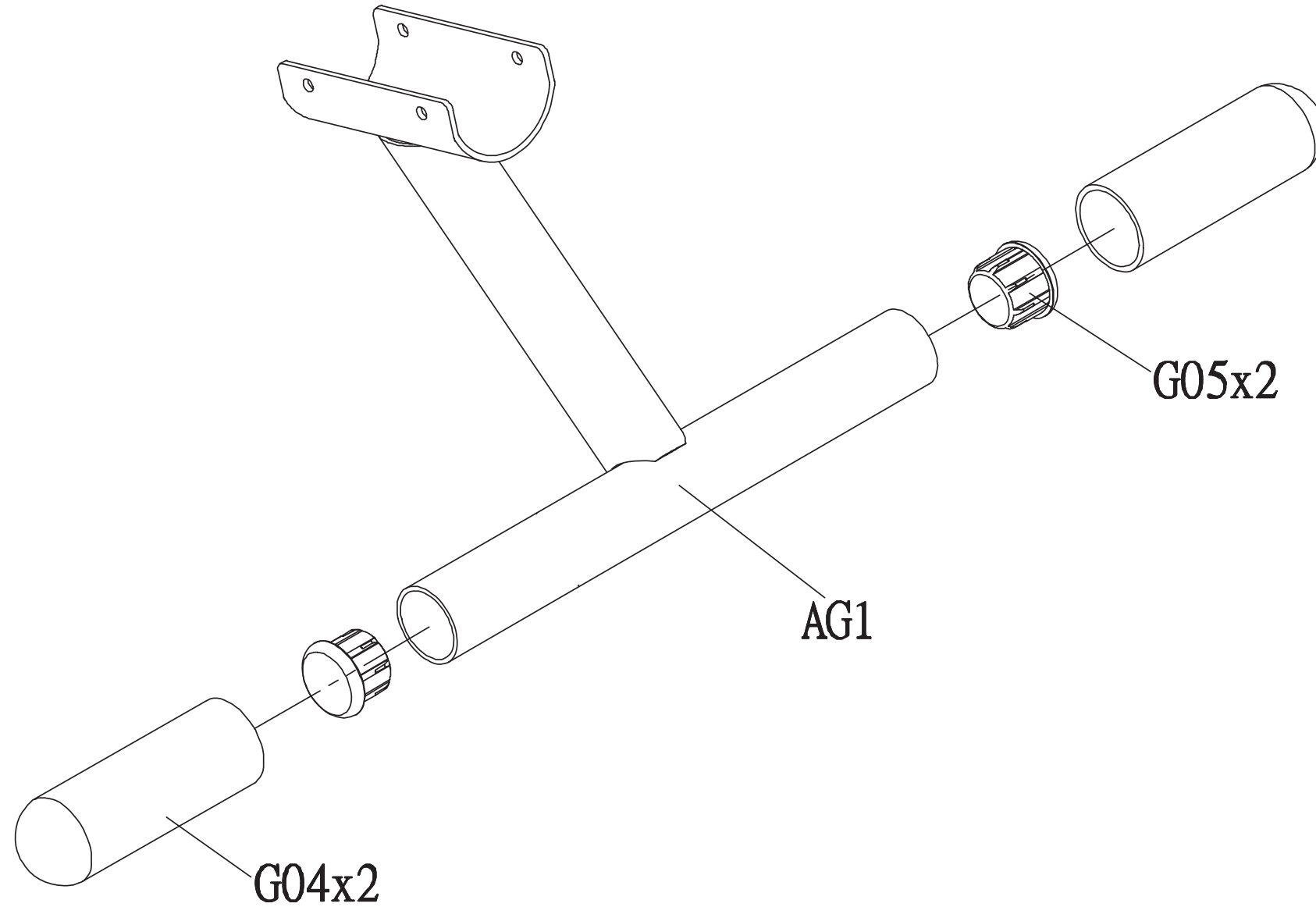
SAP NO.	Color
1000350351	Black Matte
1000396147	Platinum
1000396149	Polarized Titanium
1000396155	Pearl White
1000349123	Iced Sliver
1000396151	Lace White
1000396153	Black Glossy
1000093503	Default

DRAWING NO	FW98-SF03		
PART NAME	Front Support Tube		
PART NO	See Chart	REV	B
APPROVE	Cindy	DATE	2016.8.29



SAP NO.	Color
1000350353	Black Matte
1000396157	Platinum
1000396159	Polarized Titanium
1000396165	Pearl White
1000349124	Iced Sliver
1000396161	Lace White
1000396163	Black Glossy
1000093504	Default

DRAWING NO	FW98-SF04		
PART NAME	Disassembly CON Set		
PART NO	See Chart	REV	B
APPROVE	Cindy	DATE	2016.8.29



SAP NO.	Color
1000350355	Black Matte
1000396167	Platinum
1000396169	Polarized Titanium
1000396175	Pearl White
1000349125	Iced Sliver
1000396171	Lace White
1000396173	Black Glossy
091882	Default

DRAWING NO	FW98-SF05		
PART NAME	Seat Back Pad Set		
PART NO	See Chart	REV	C
APPROVE	Chendongming	DATE	2017.03.06

SAP NO.	Color
1000350357	Black Matte
1000396177	Platinum
1000396179	Polarized Titanium
1000396185	Pearl White
1000349126	Iced Sliver
1000396181	Lace White
1000396183	Black Glossy
091820	Default

