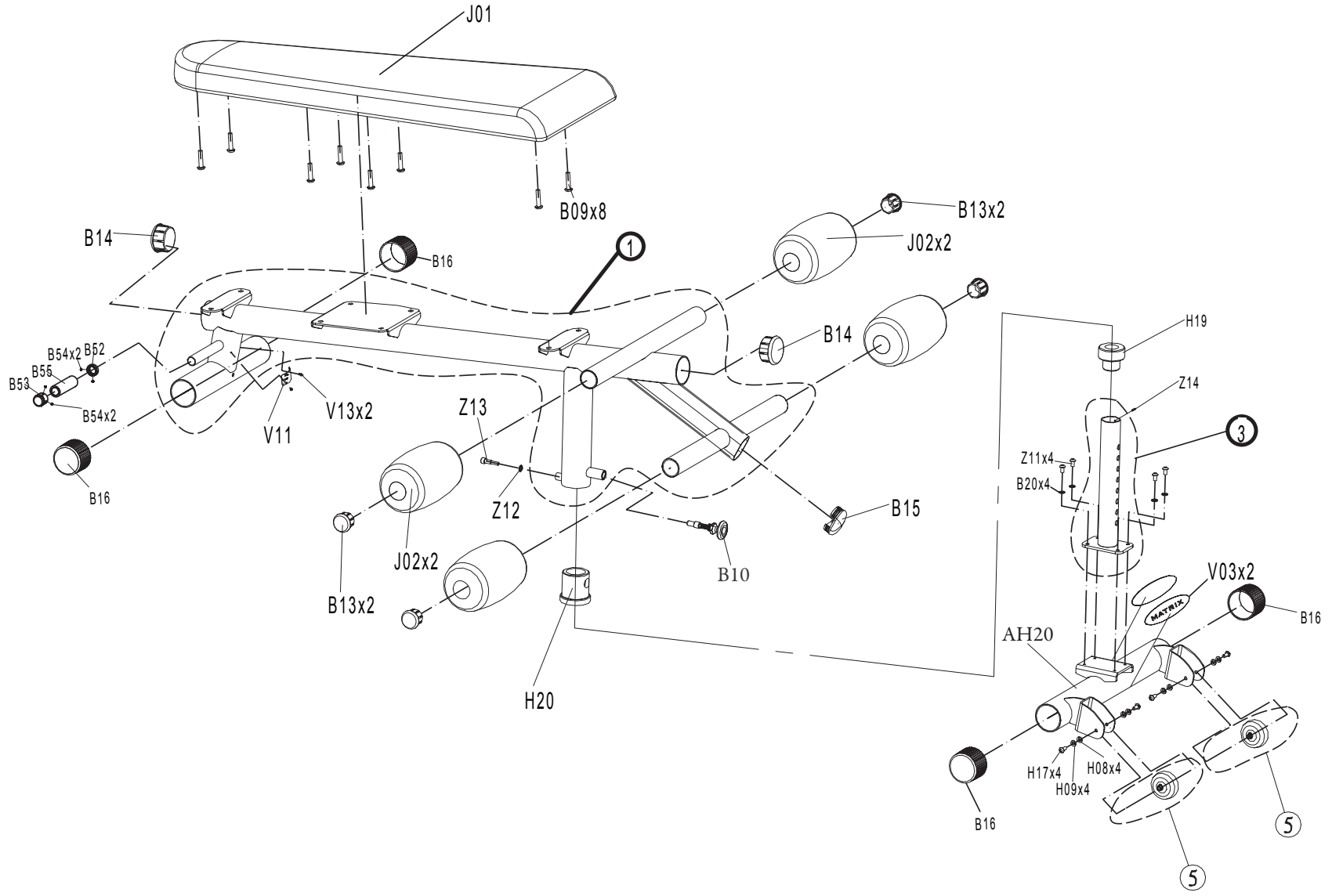
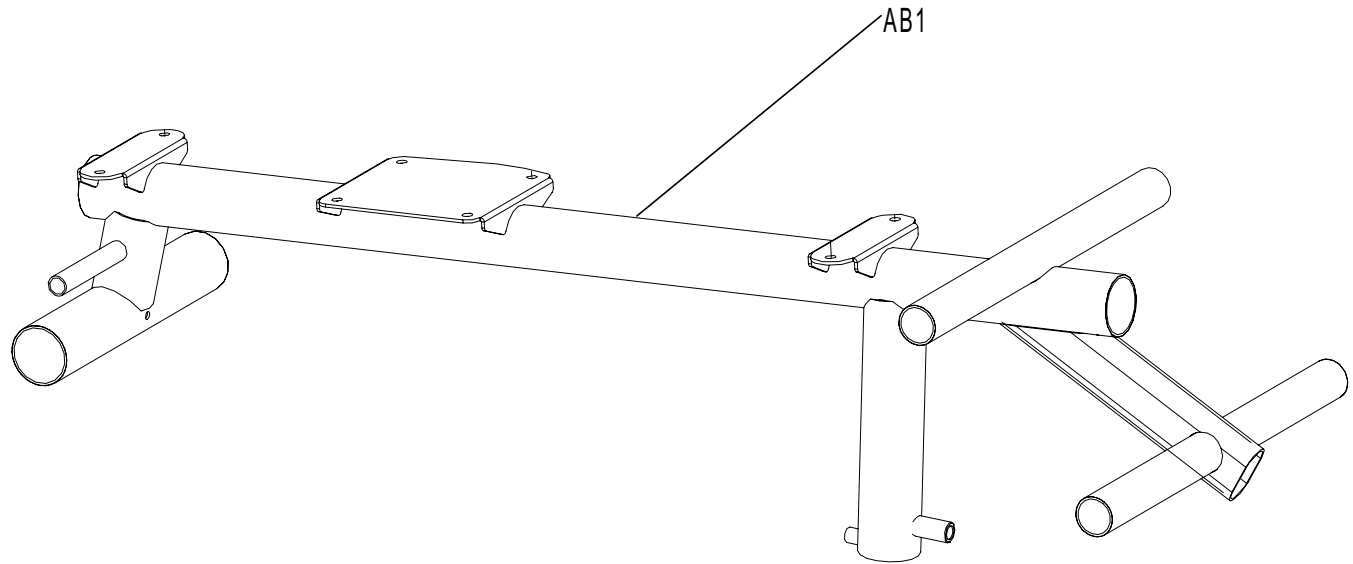


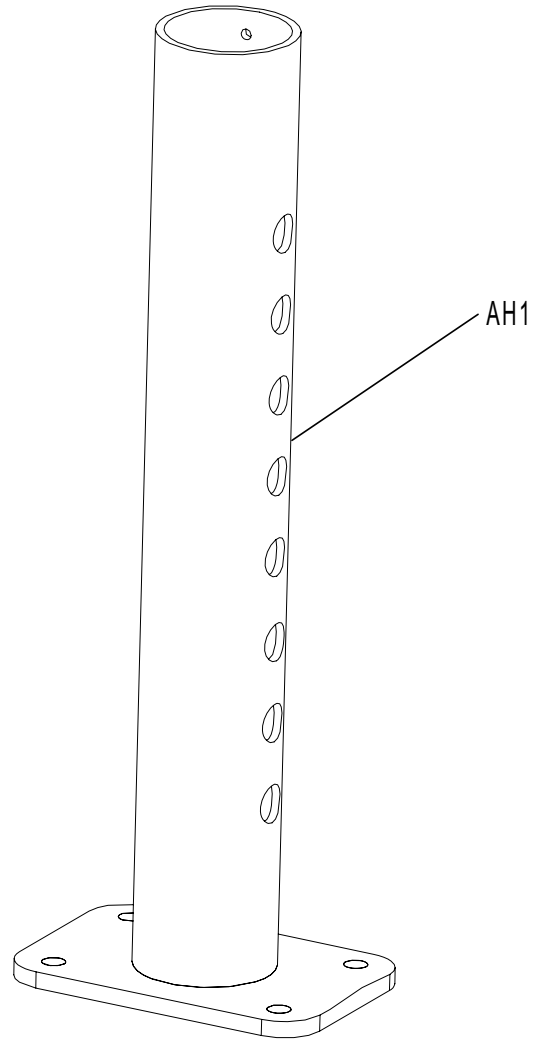
DRAWING NO	MFW0303-00		
PART NAME	Exploded view;SEMI-ASSY		
PART NO	1000200888	REV	A
APPROVE	Bonnie	DATE	20101209



DRAWING NO			
PART NAME	Frame Set;SA		
PART NO	1000204526	REV	A
APPROVE	Bonnie	DATE	20101209



DRAWING NO					
PART NAME	Adjust set;SA				
PART NO	1000204530	<table border="1"><tr><td>REV</td><td>A</td></tr></table>	REV	A	
REV	A				
APPROVE	Bonnie	DATE	20101209		



DRAWING NO			
PART NAME	Wheel Set;SA		
PART NO	1000204532	REV	A
APPROVE	Bonnie	DATE	20101209

