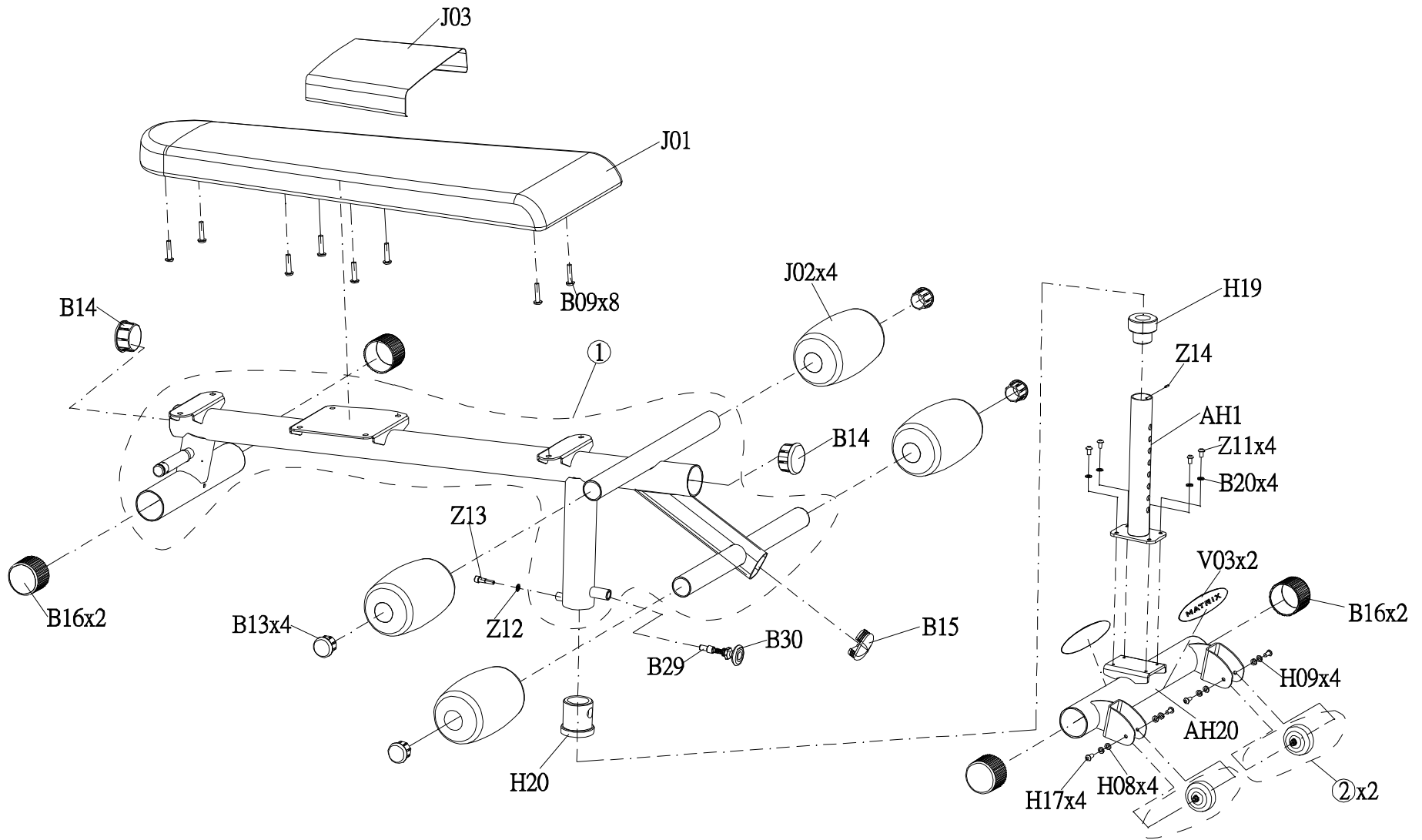
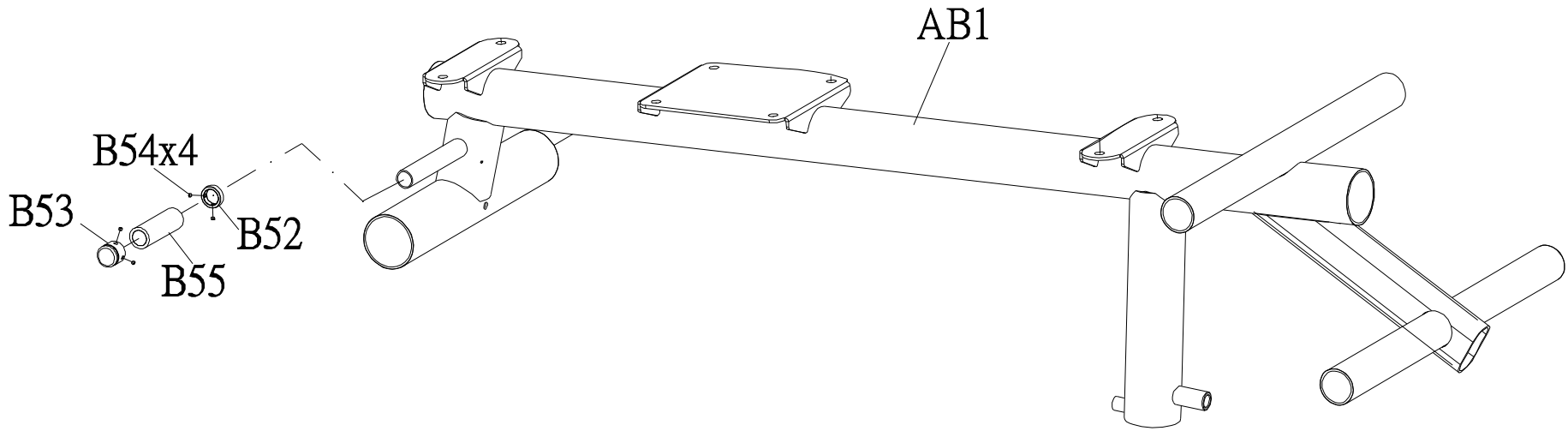


DRAWING NO	PG3FW83-KM		
PART NAME	G3FW83-02		
PART NO	MFW0303-00	REV	A
APPROVE	Ares	DATE	20141216

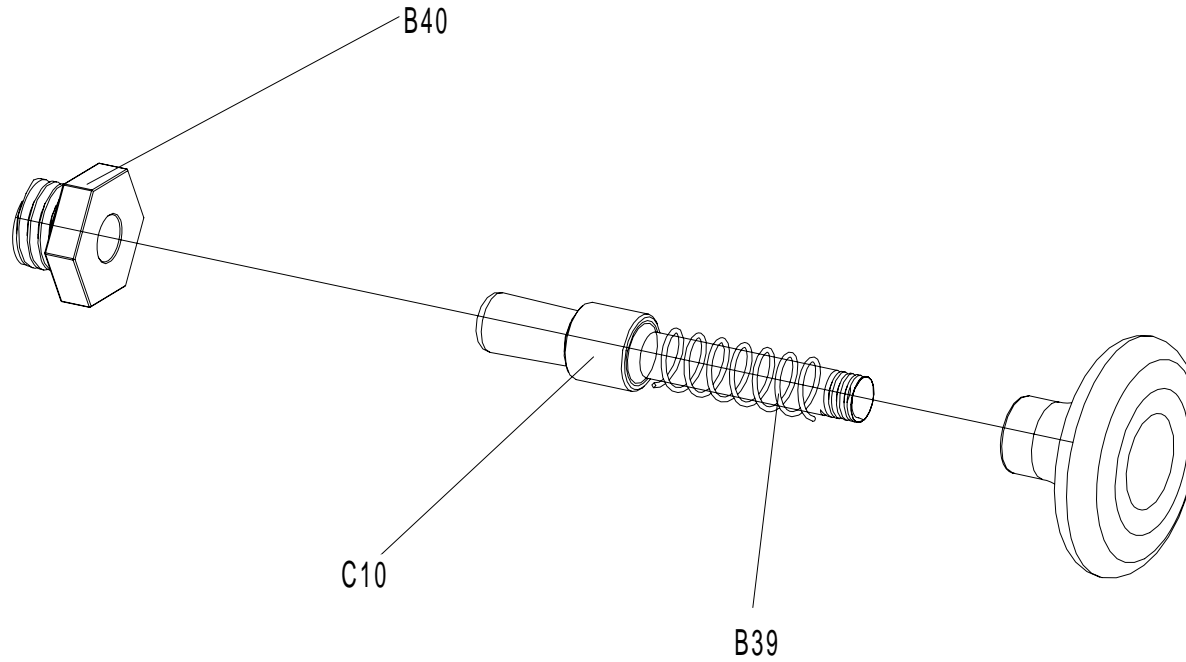


DRAWING NO			
PART NAME	FRAME SET;FW83		
PART NO	1000204526		
APPROVE	ARES	DATE	2014/12/16

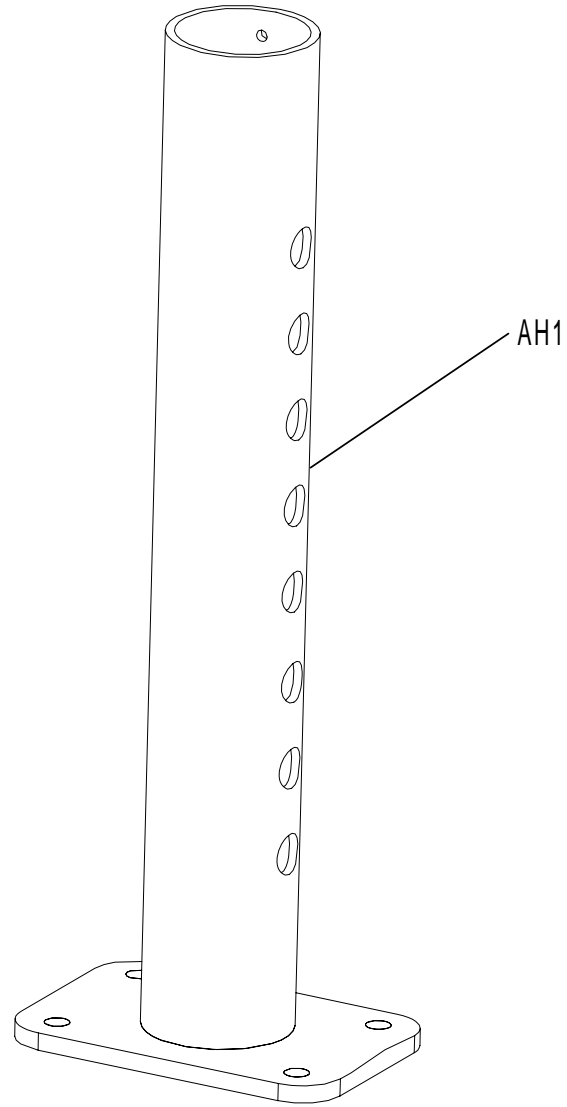
REV
A



DRAWING NO			
PART NAME	Pin set;SA		
PART NO	1000204529	REV	A
APPROVE	Bonnie	DATE	20101209



DRAWING NO			
PART NAME	Adjust set;SA		
PART NO	1000204530	REV	A
APPROVE	Bonnie	DATE	20101209



DRAWING NO			
PART NAME	Wheel Set;SA		
PART NO	1000204532	REV	A
APPROVE	Bonnie	DATE	20101209

