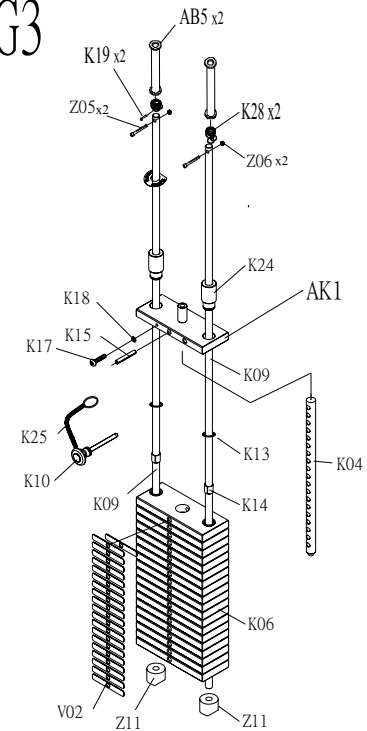
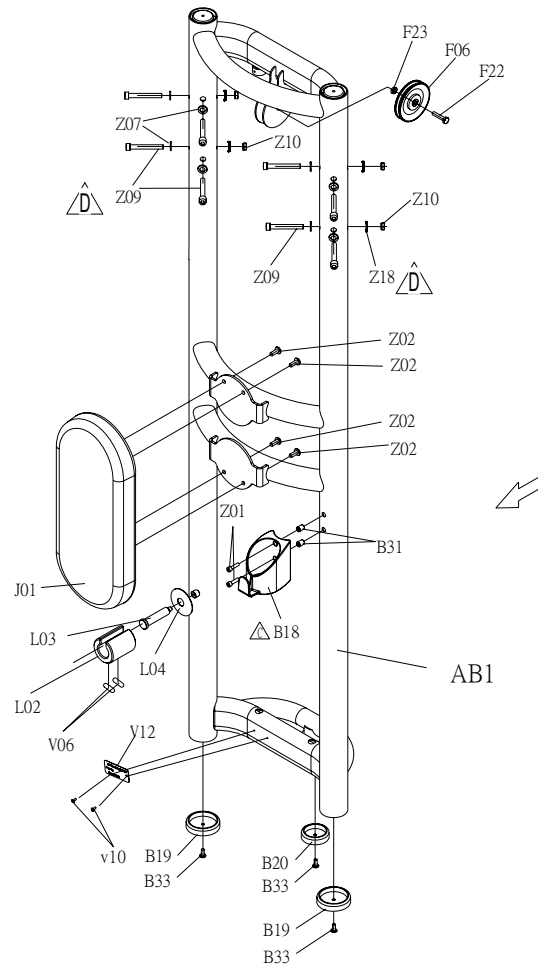
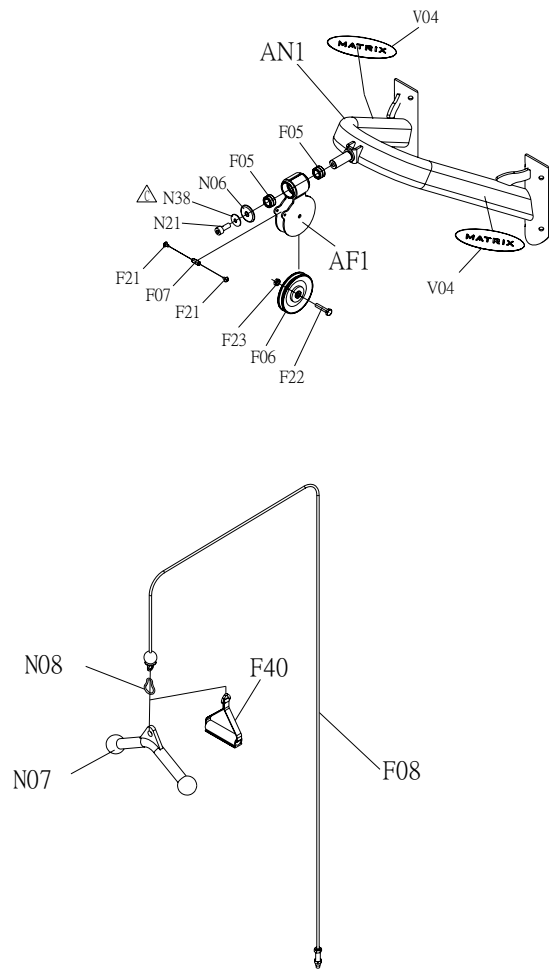




MX-MS52

PMS52KM-G3



MS52-A33D

2009-03-02

DRAWING NO	MS52-SF35		
PART NAME	Rendering;Steel Rope Unassembled;MS52		
PART NO	1000435409		REV A
APPROVE	Taoyongchun	DATE	12192018

