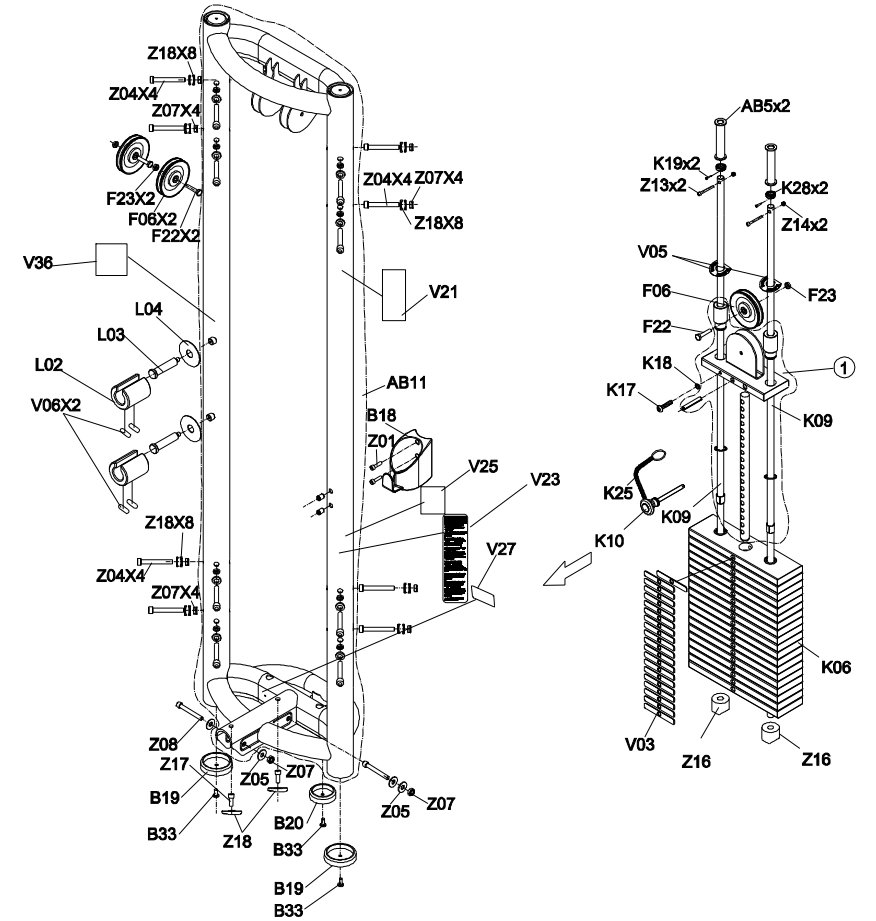
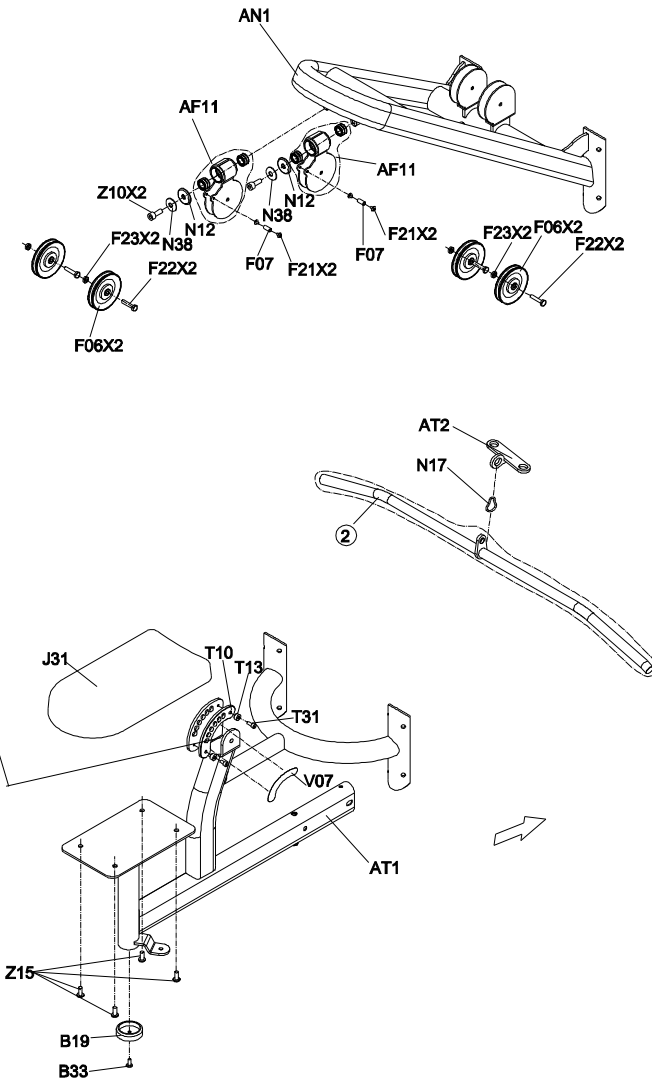
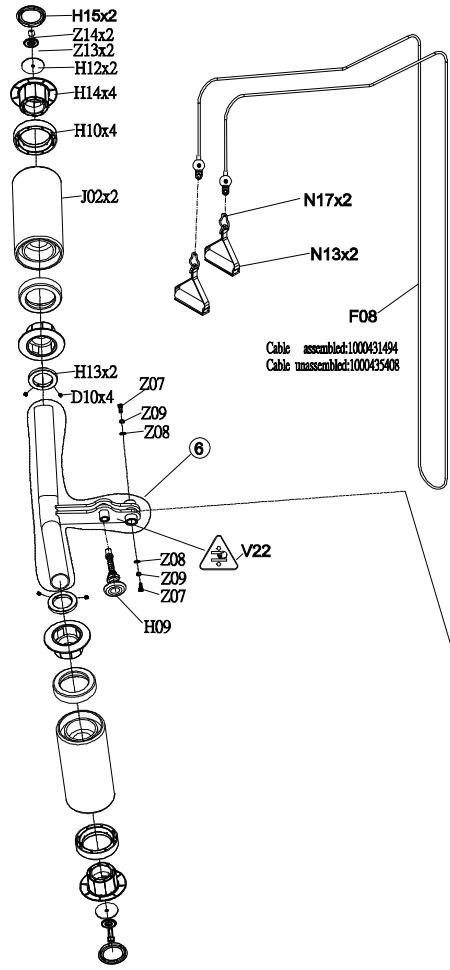
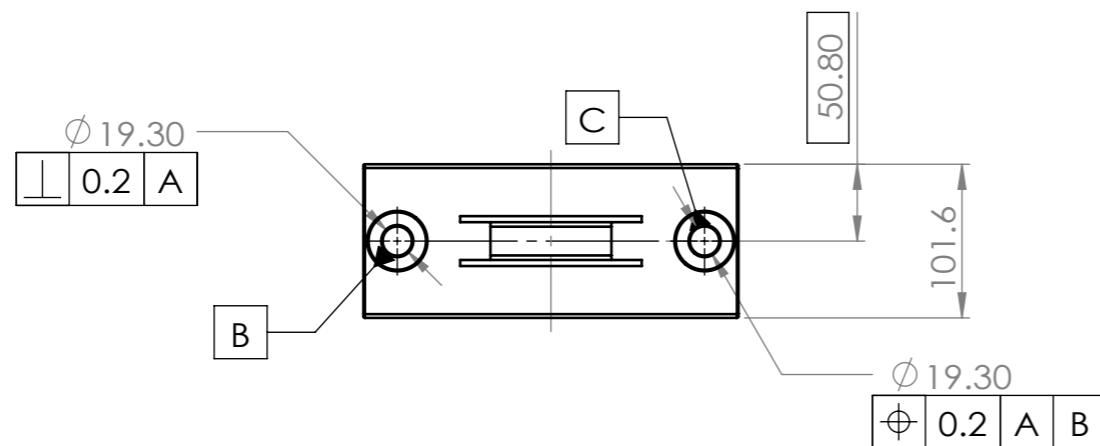
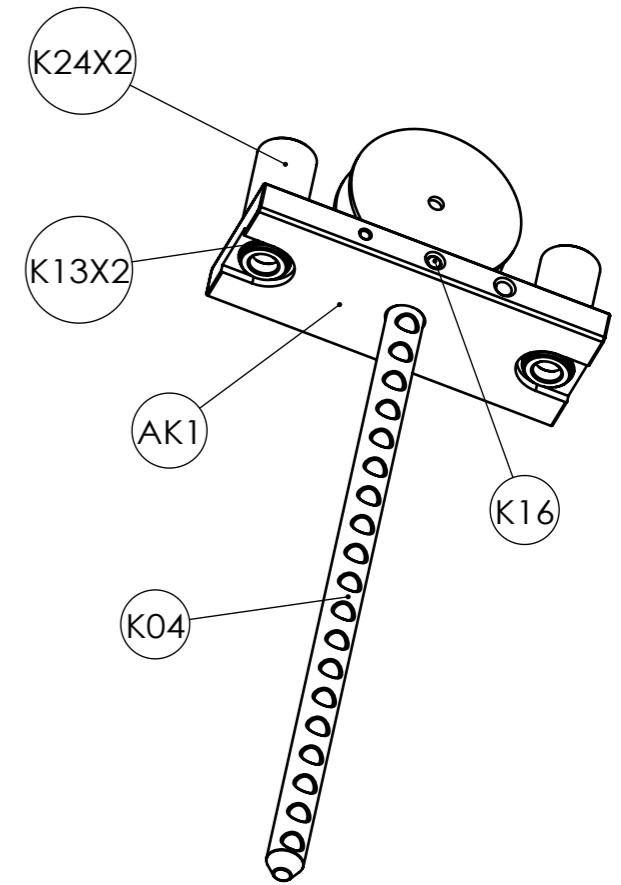
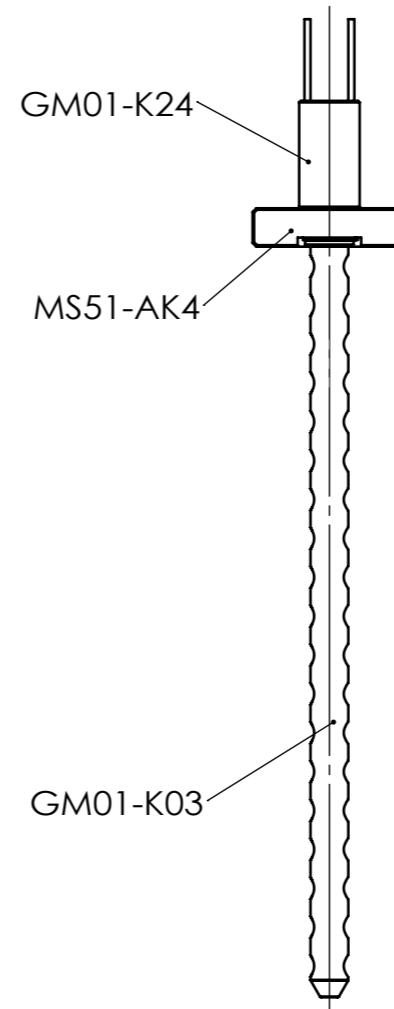
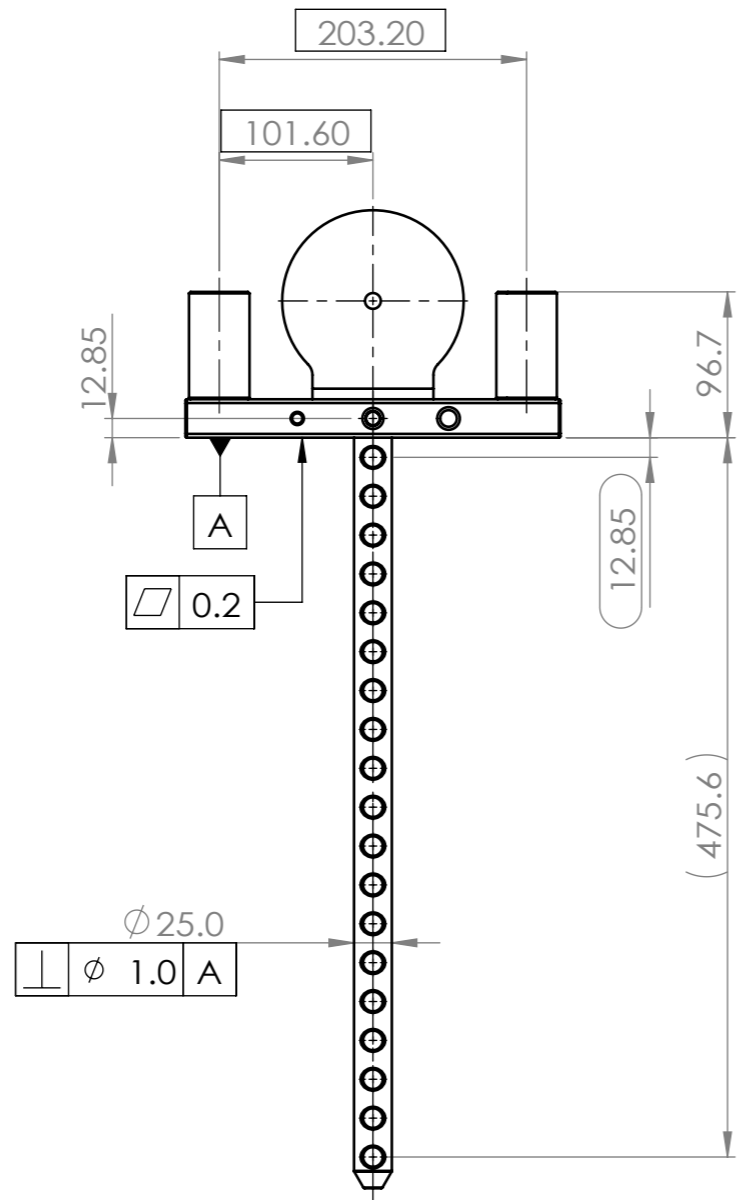


DRAWING NO	MS51B-SF03		
PART NAME	Explosive Diagram		
PART NO	1000437003	REV	A
APPROVE	Taoyongchun	DATE	09/16/19



UNLESS OTHERWISE SPECIFIED TOLERANCES ARE:

LENGTH		ANGLE	
X.	±1.5	X.	±1°
X.X	±0.5	X.X	±0.5°
X.XX	±0.20	X.XX	±0.10°
X.XXX	±0.100		



備註:

1. 所有尺寸為最終尺寸;
2. 此為外觀件, 須依喬山標準檢驗.

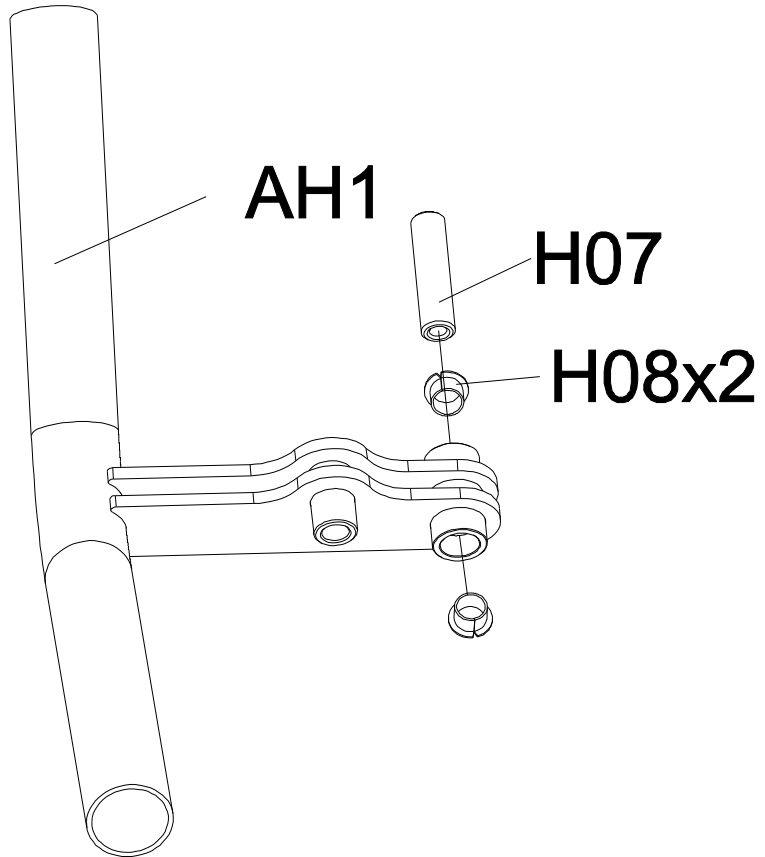
Notes:

1. All dimension is coated dimension;
2. It's a parts that could be seen by user, should be made in accordance with JIS Inspection Standard.

△							
△							
△							
△							
A	13050199	RELEASED FOR PRODUCTION	SPENCER	061013	ARES	060613	
LET 項目	ECO NO 設變單號	DESCRIPTION 修改內容	APPROVER 審核	DATE 日期	DESIGN 設計	DATE 日期	

UNIT 單位	mm	MODEL NO 機種	LAT PULL	狀態 STATE	P/D
SCALE 比例	1:10	DRAWING NO 圖號	MS51-AK10		
SHEET SIZE 圖紙大小	A3	PART NAME(CH) 零件名稱(中文)	加工;上層選擇片組		
		PART NAME(EN) 零件名稱(英文)	EXTRAWORK;WEIGHT PLATE SET		
		SAP PART NO SAP 料號	1000318313	REV A	
		喬山健康科技(台灣)有限公司 JOHNSON HEALTH TEC. (TAIWAN) CO.,LTD			
		喬山健康科技(上海)有限公司 JOHNSON HEALTH TEC. (SHANGHAI) CO.,LTD			○

DRAWING NO	PL08B-SF05		
PART NAME	Adjust set;Semi-Assy;		
PART NO	SEE CHART	REV	B
APPROVE	Taoyongchun	DATE	09/16/2019



PART NO	Painting Color
1000360737	Iced Sliver
1000360739	Platinum
1000360740	Polarrized Titanium
1000360742	lace White
1000360738	Black Matte
1000360741	Black Glossy
1000440339	PF Yellow
1000439026	PF Purple
1000439028	O-PF Purple

DRAWING NO	MS51B-SF01		
PART NAME	Handle Set;Assembly		
PART NO	1000419004	REV	A
APPROVE	PAIGE	DATE	03.06.2018

