

ENGINE NO	GM02C-A03		
NAME	GM02C-KM		
NO	MGM0391-00	REV	A
APPROVE	JEFFREY	DATE	02/21/11

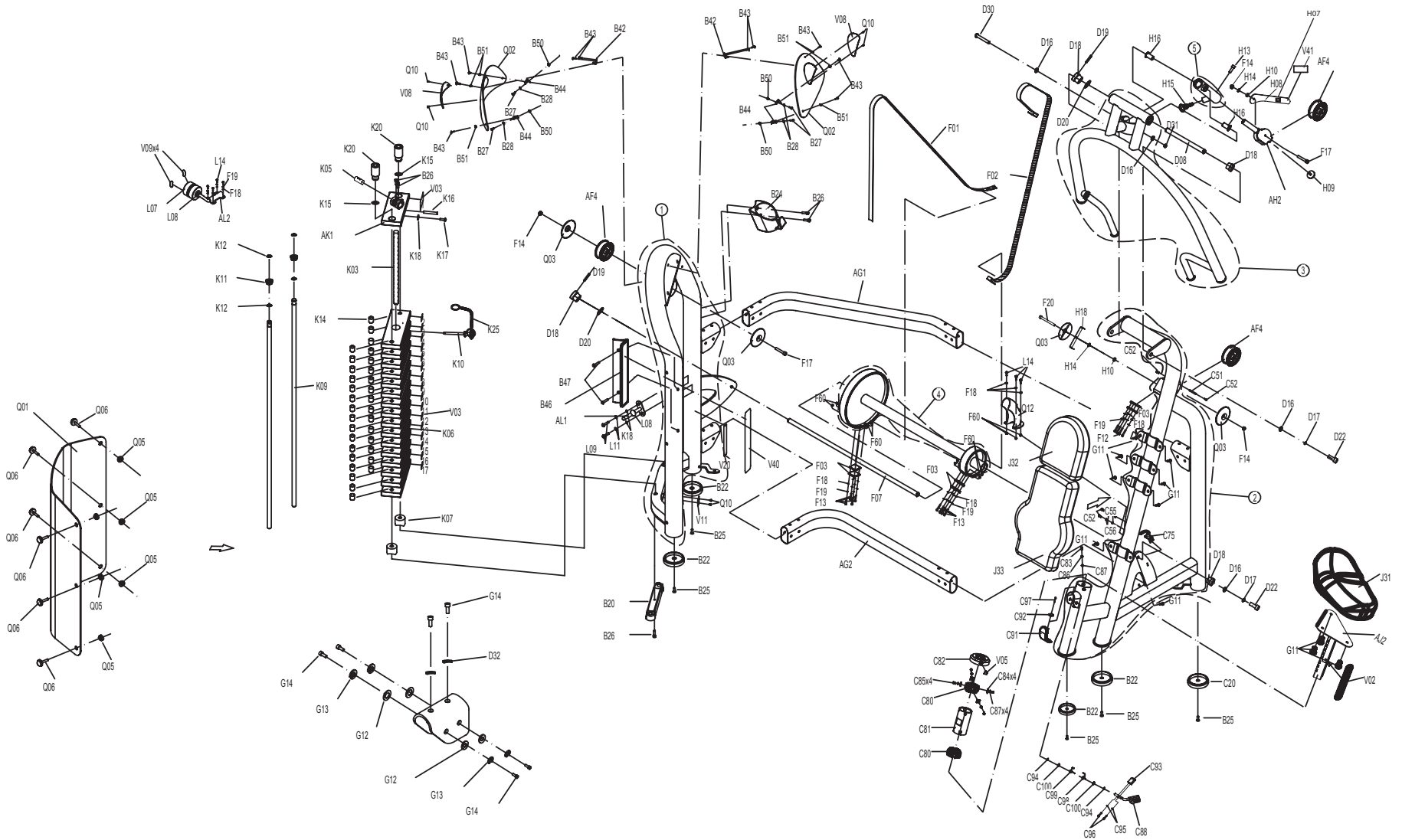
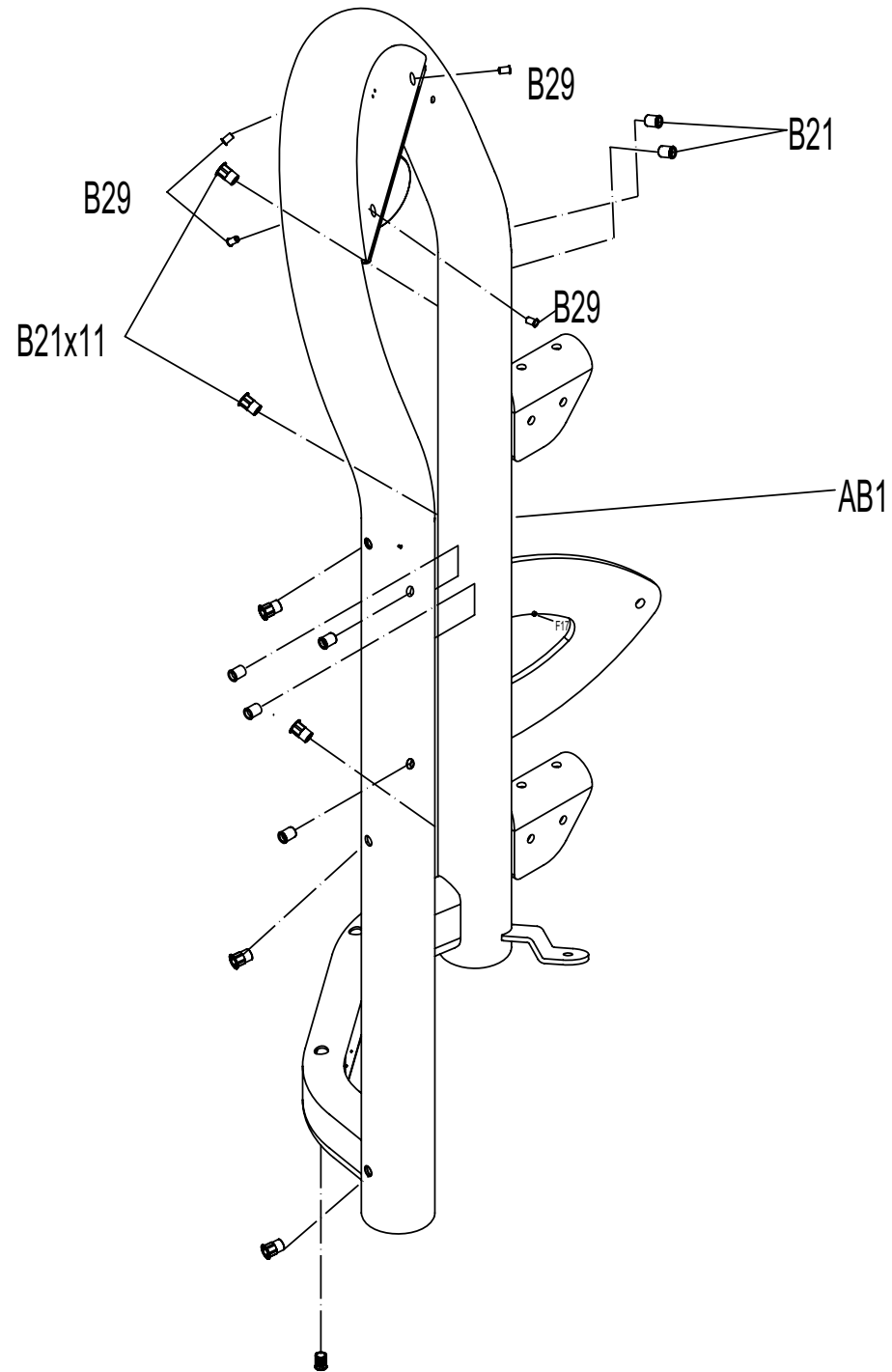


FIG NO			
NAME	FRAME SET		
FIG NO	091926	REV	A
APPROVE	JEFFREY	DATE	02/21/11



ING NO			
NAME	USER FRAME SET		
NO	1000210175	REV	A
ROVE	JEFFREY	DATE	02/21/11

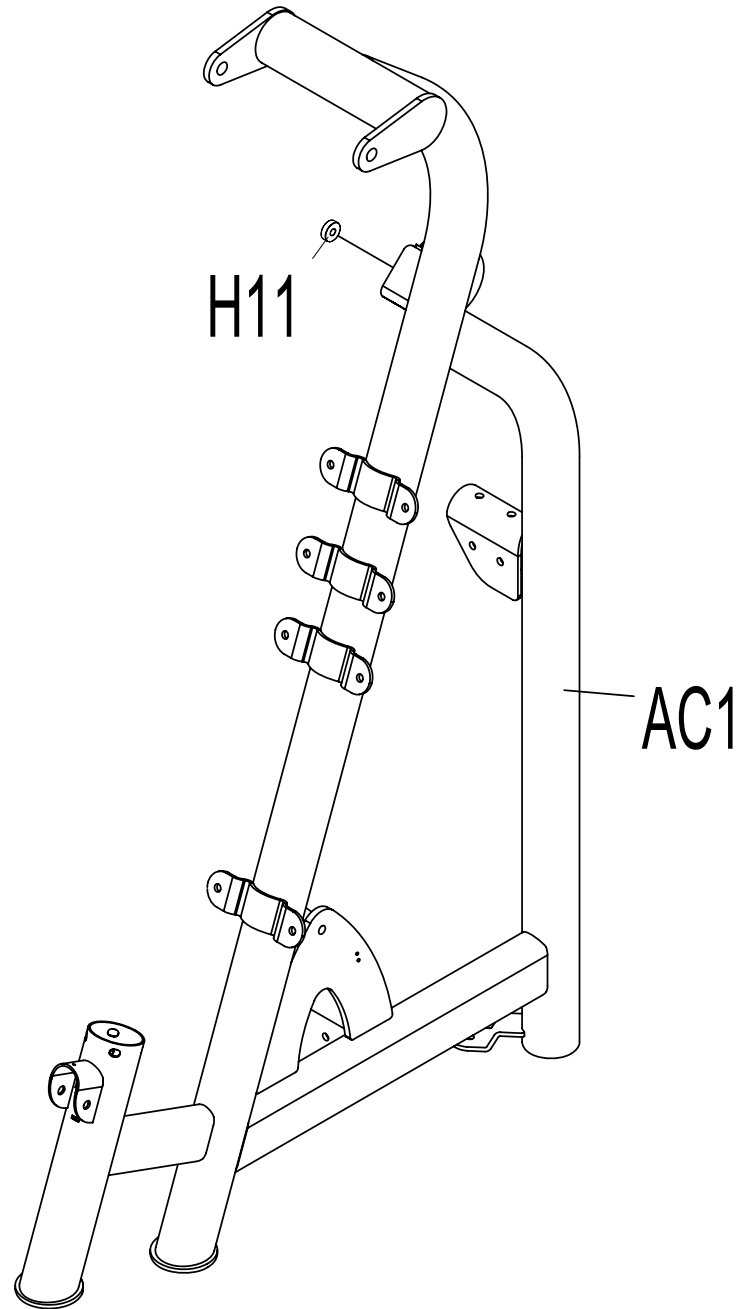


FIG NO			
NAME	ARM FRAME SET		
FIG NO	087736	REV	A
APPROVE	JEFFREY	DATE	02/21/11

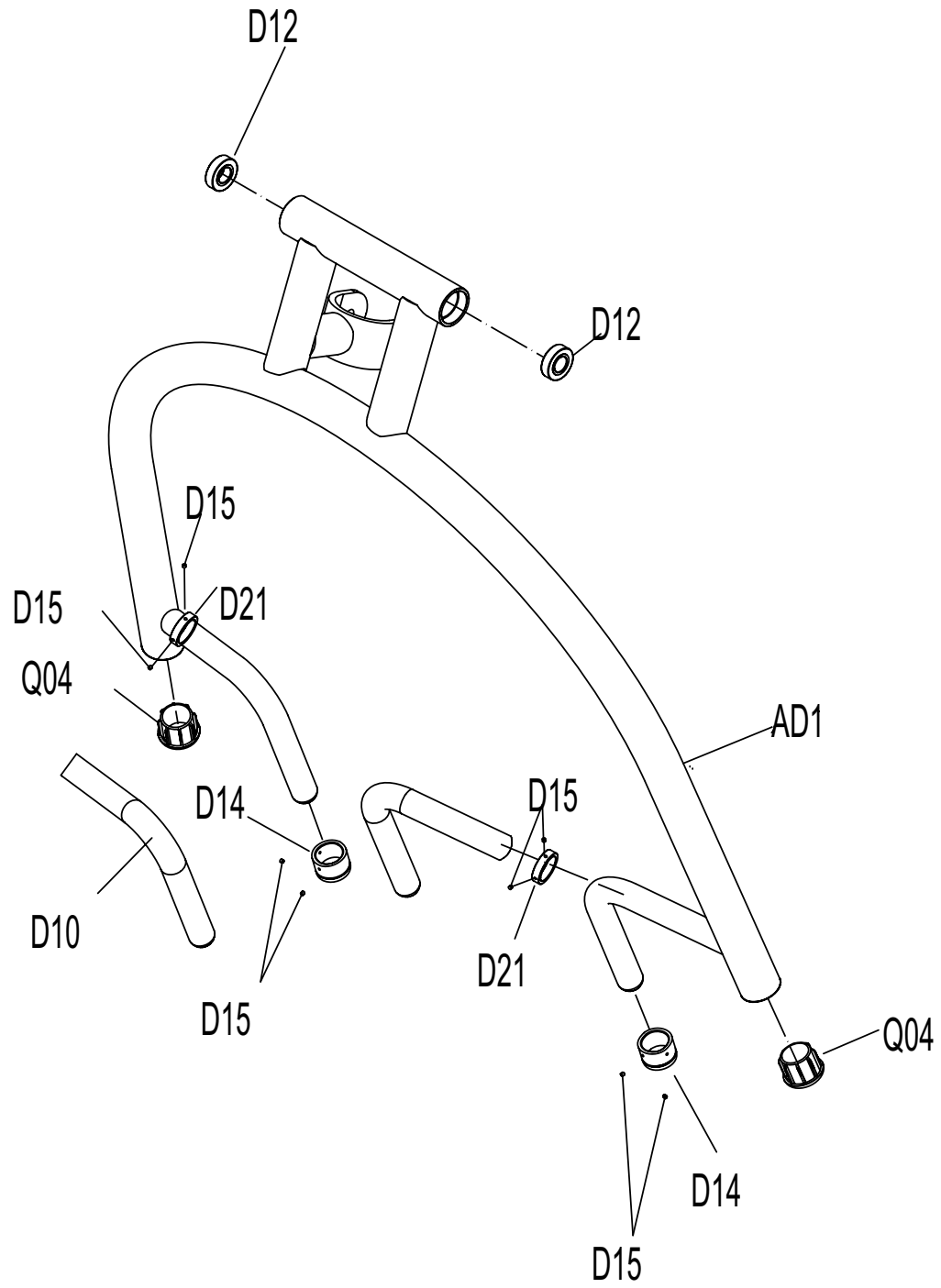


FIG NO			
NAME	CAM FRAME		
FIG NO	024101-ZG2	REV	A
APPROVE	JEFFREY	DATE	02/21/11

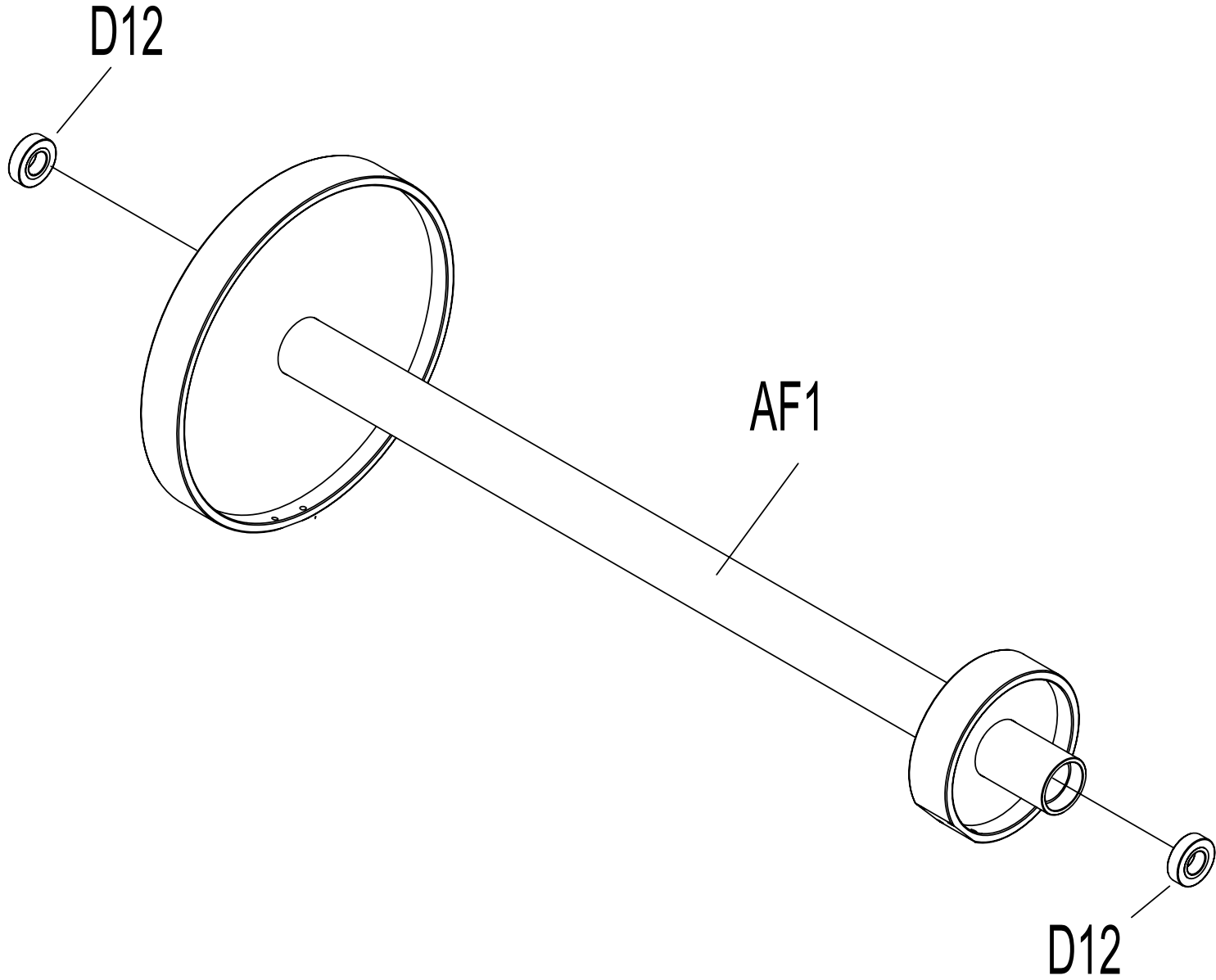


FIG NO			
NAME	ADJ SLEEVE SET		
FIG NO	087735	REV	A
APPROVE	JEFFREY	DATE	02/21/11

