

FIG NO			
NAME	MAIN FRAME SET		
FIG NO	095285	REV	A
APPROVE	JEFFREY	DATE	02/22/11

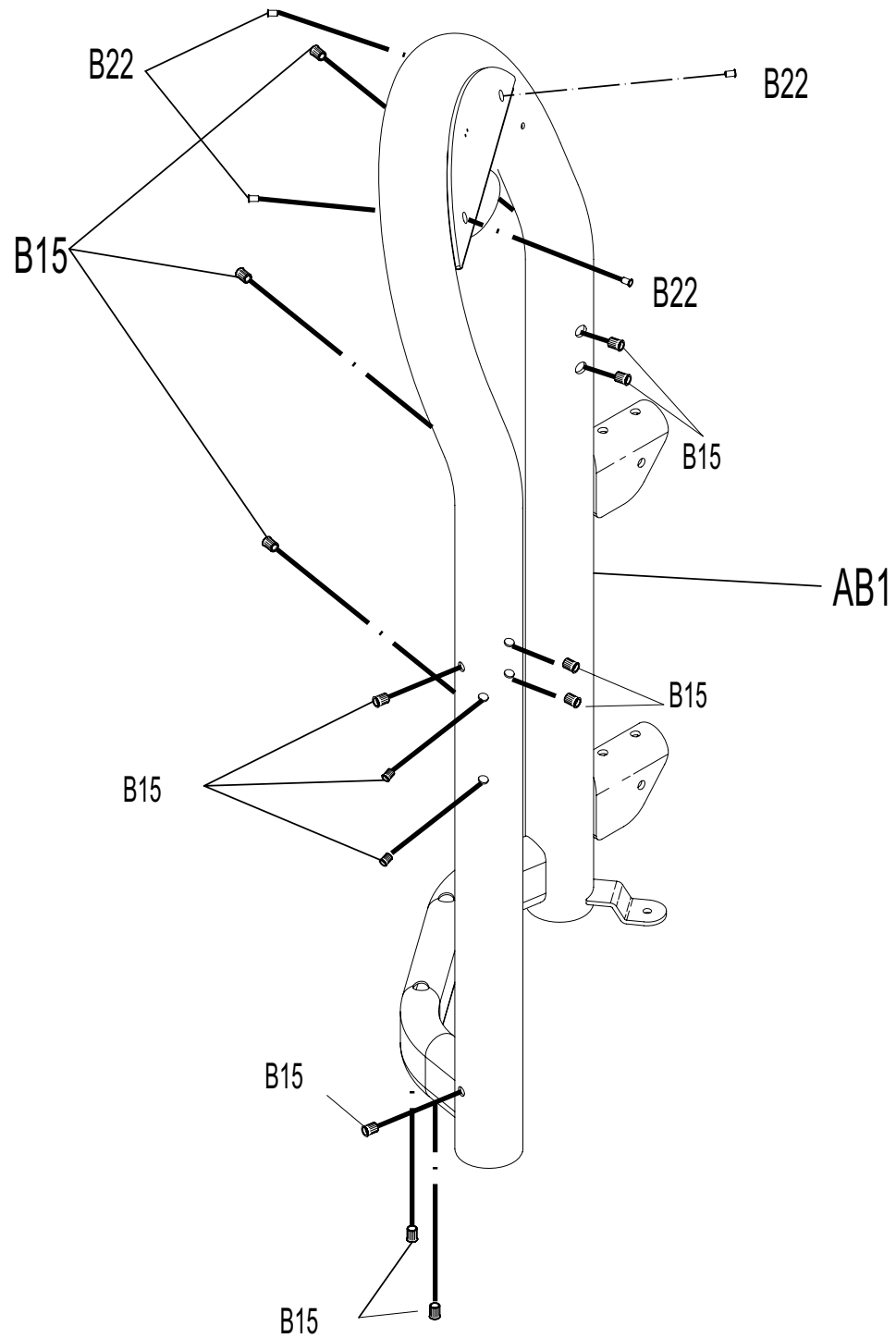


FIG NO			
NAME	RIGHT ARM FRAME		
FIG NO	1000215329	REV	A
APPROVE	JEFFREY	DATE	02/22/11

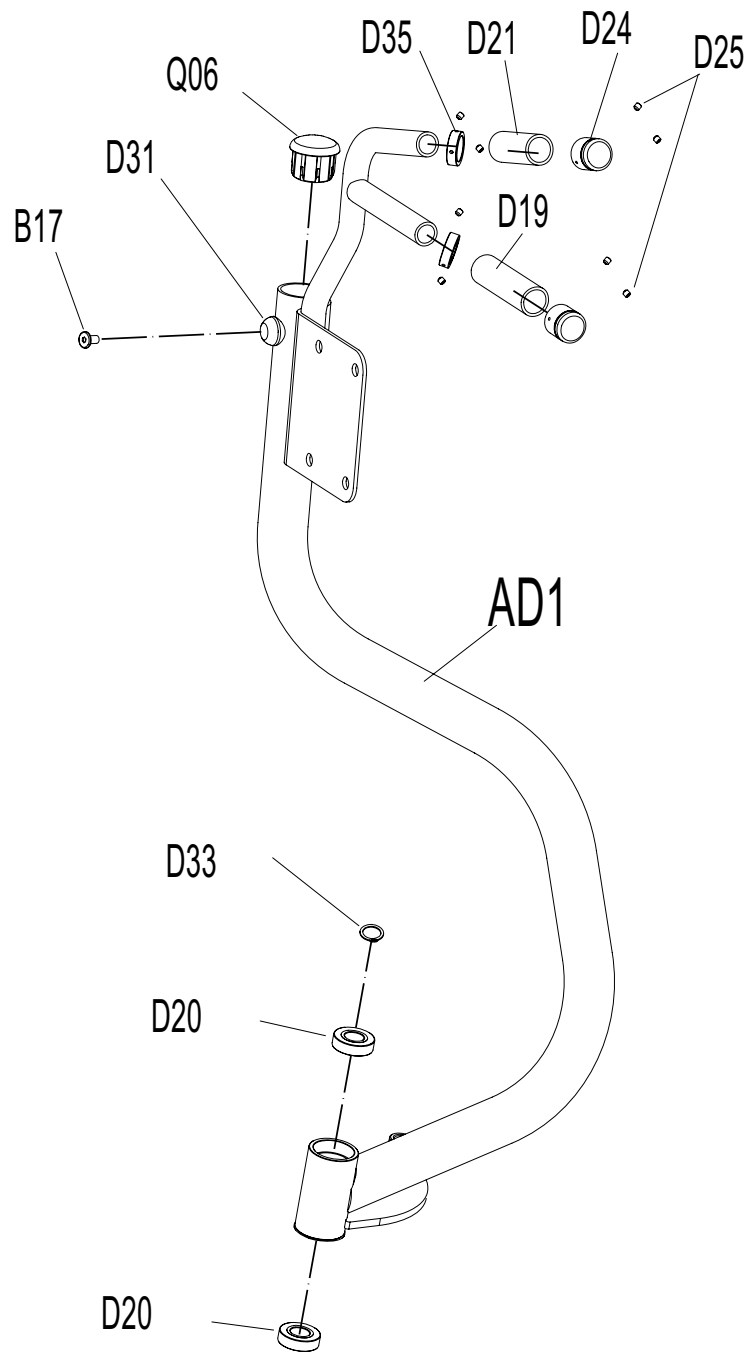
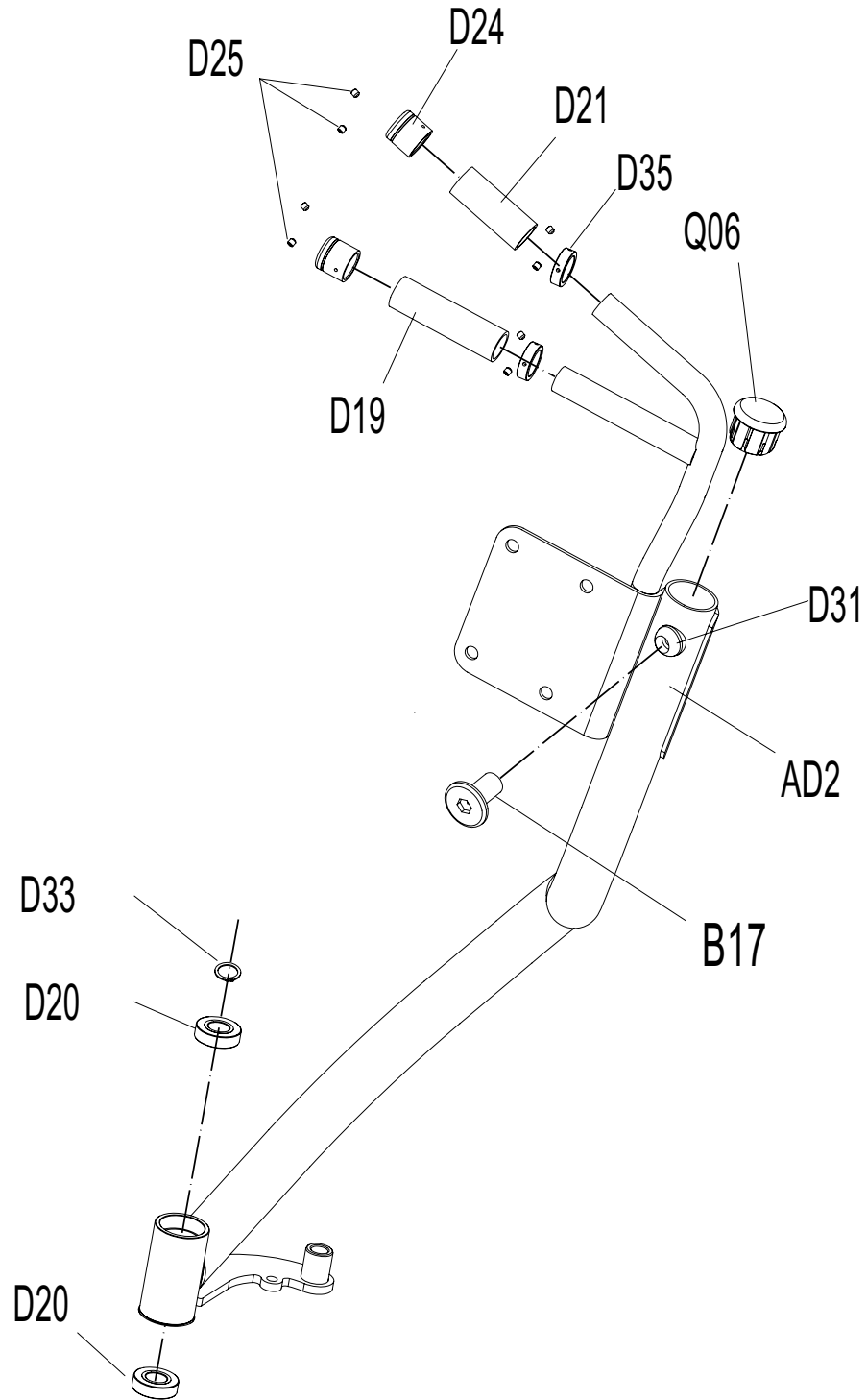


FIG NO			
NAME	LEFT ARM FRAME		
FIG NO	1000215330	REV	A
APPROVE	JEFFREY	DATE	02/22/11

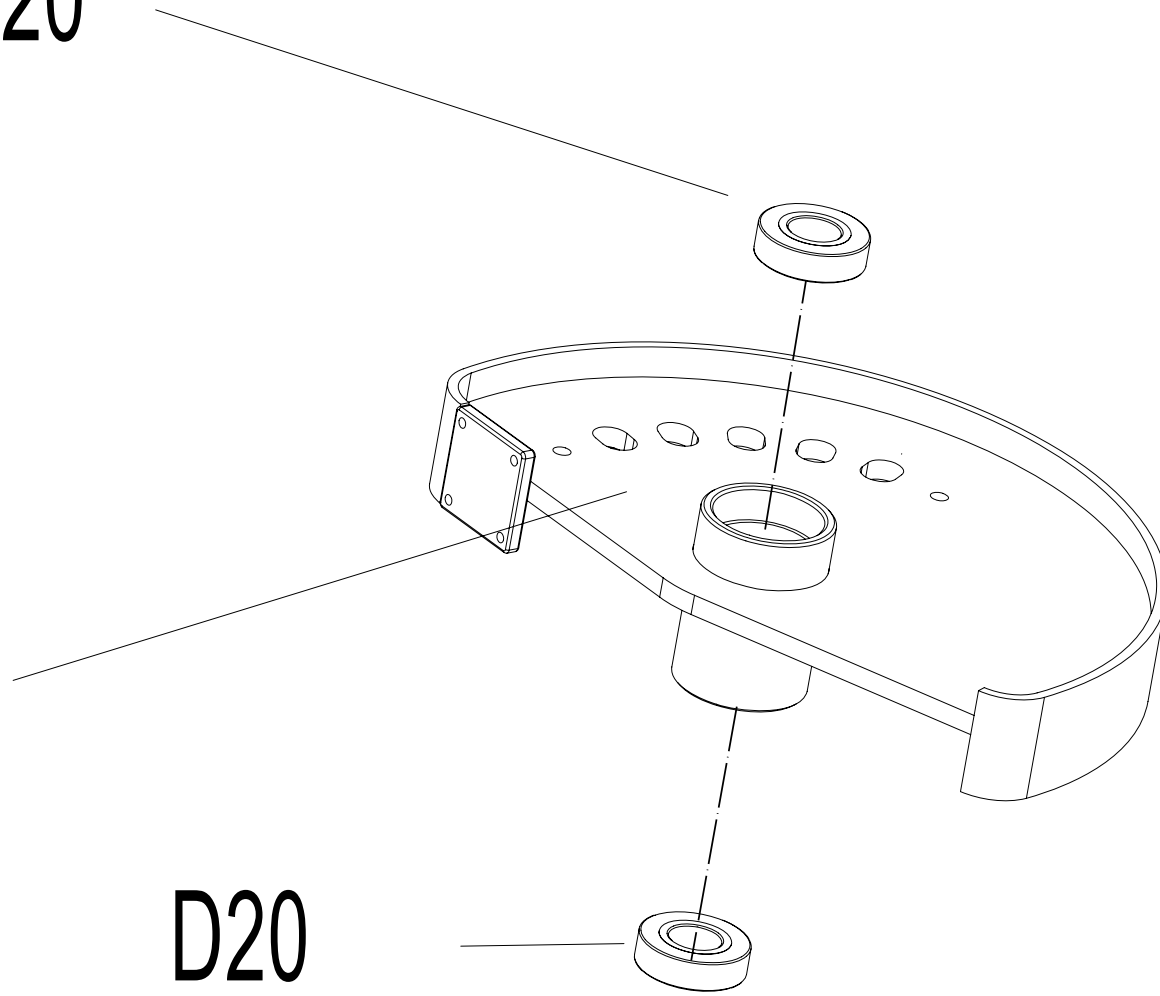


ING NO			
NAME	CAM SET;L;		
NO	1000214913	REV	A
ROVE	JEFFREY	DATE	02/22/11

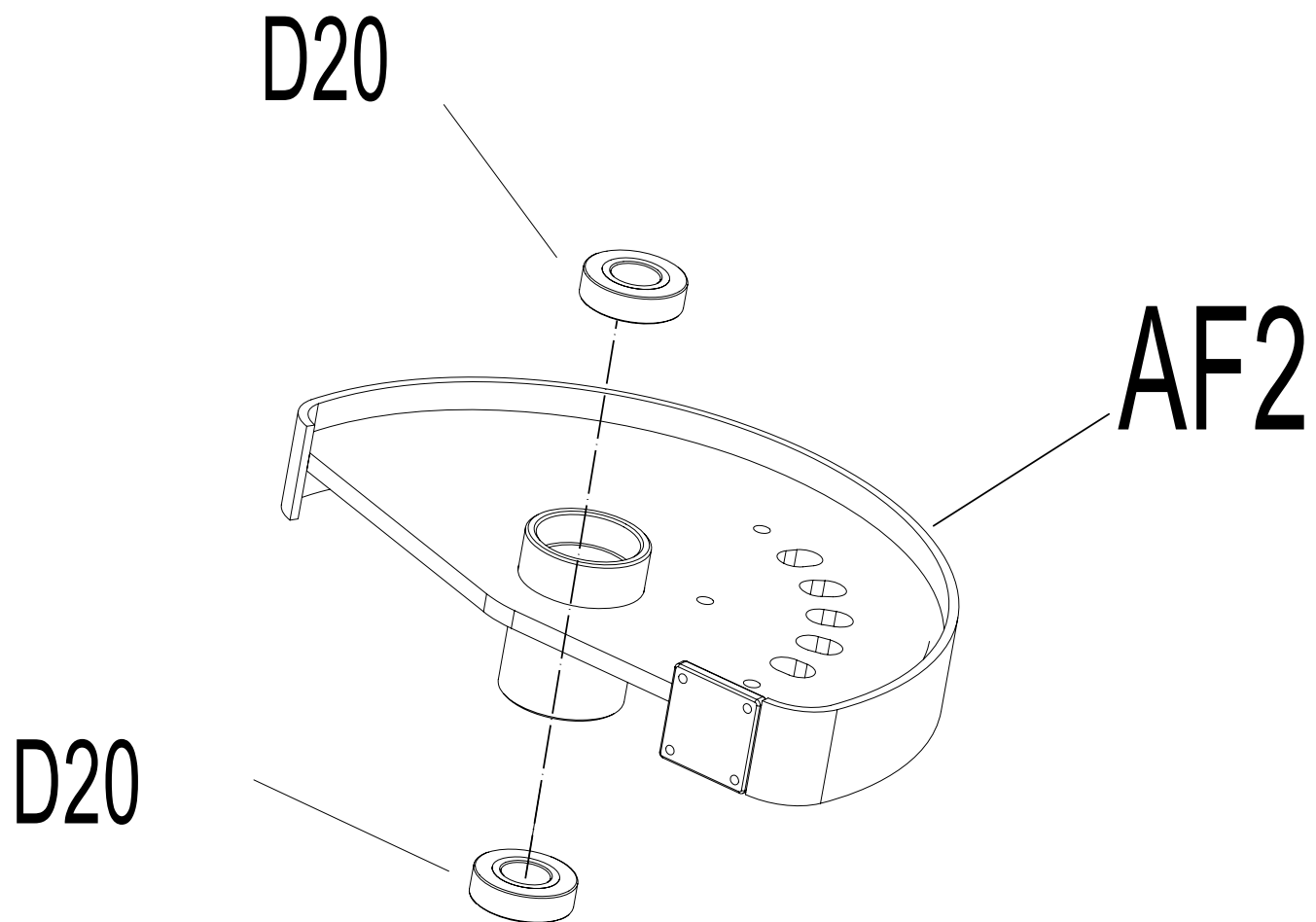
D20

AF1

D20



ING NO			
NAME	CAM SET;R;		
NO	1000214914	REV	A
ROVE	JEFFREY	DATE	02/22/11



NG NO			
NAME	SLIDING PULLEY FRAME		
NO	013444-ZG2	REV	A
ROVE	JEFFREY	DATE	02/22/11

