

FIG NO			
NAME	MAIN FRAME SET		
FIG NO	1000094437	REV	A
APPROVE	JEFFREY	DATE	12/6/10

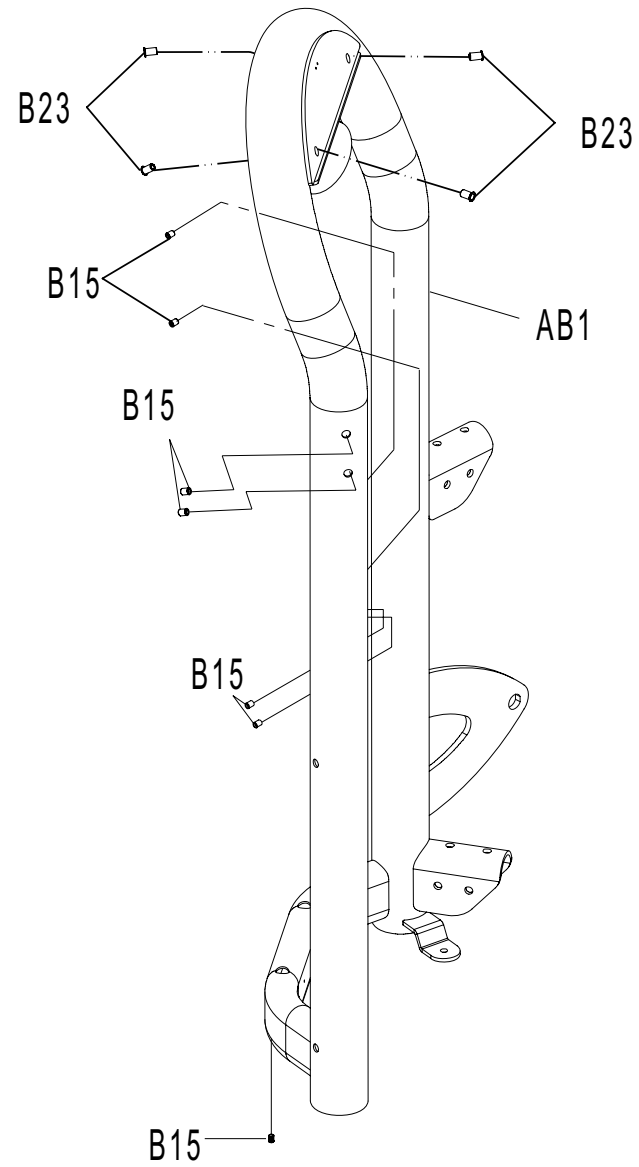


FIG NO			
NAME	LEFT SWIVEL ARM SET		
FIG NO	1000094439	REV	A
APPROVE	JEFFREY	DATE	12/6/10

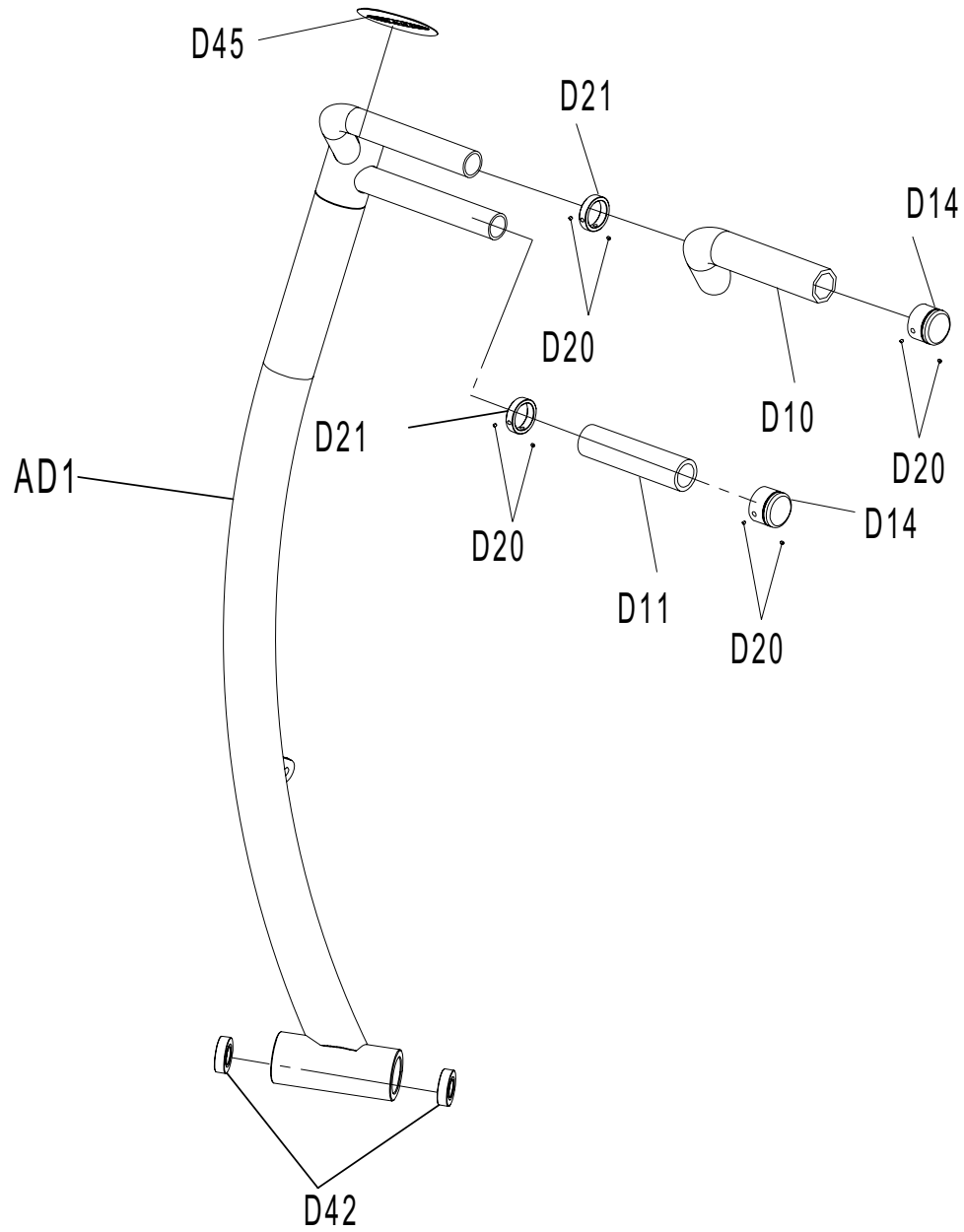
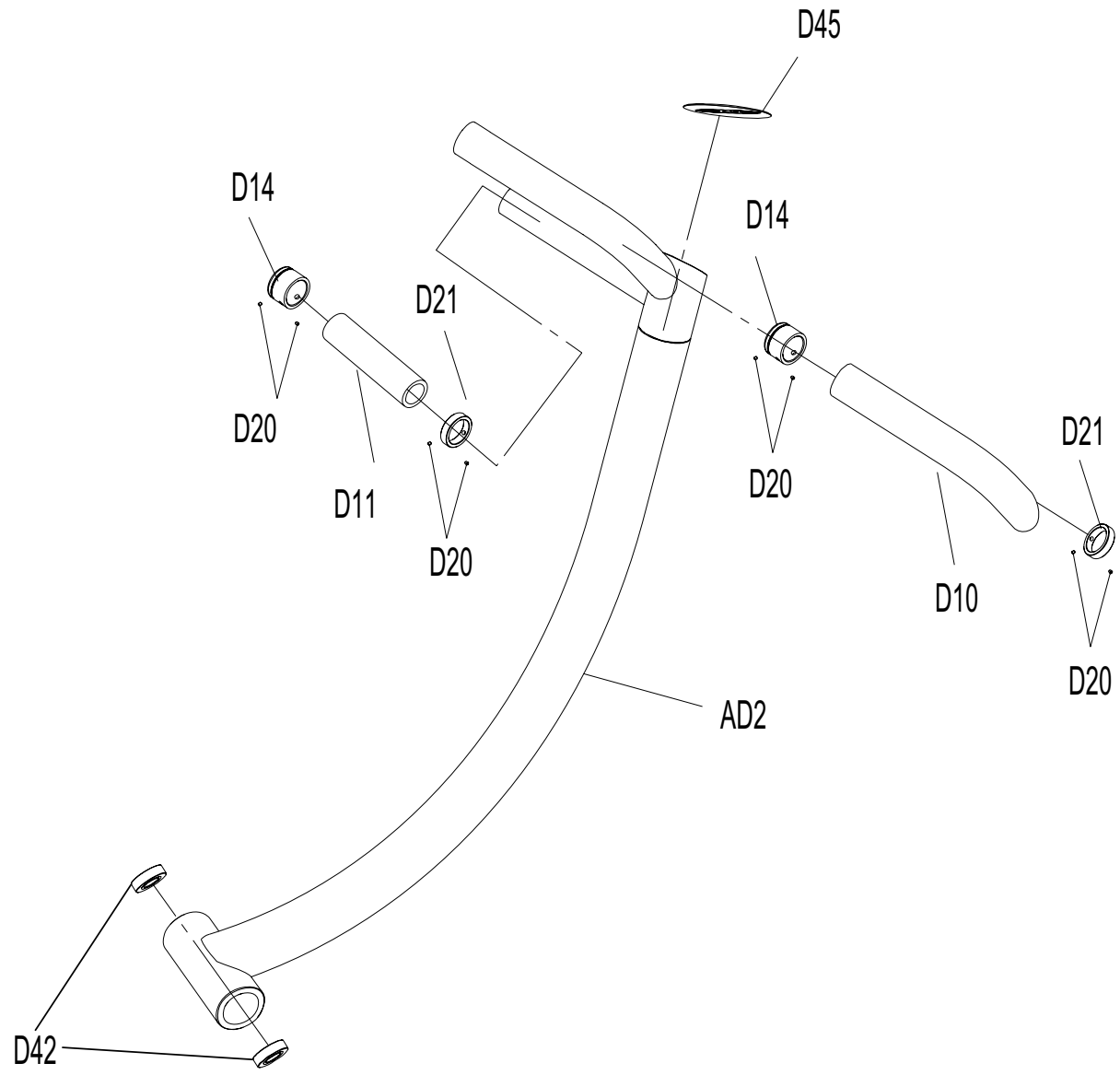


FIG NO			
NAME	RIGHT SWIVEL ARM SET		
FIG NO	1000094440	REV	A
APPROVE	JEFFREY	DATE	12/6/10



ING NO			
NAME	CAM SET		
NO	1000094441	REV	A
ROVE	JEFFREY	DATE	12/6/10

