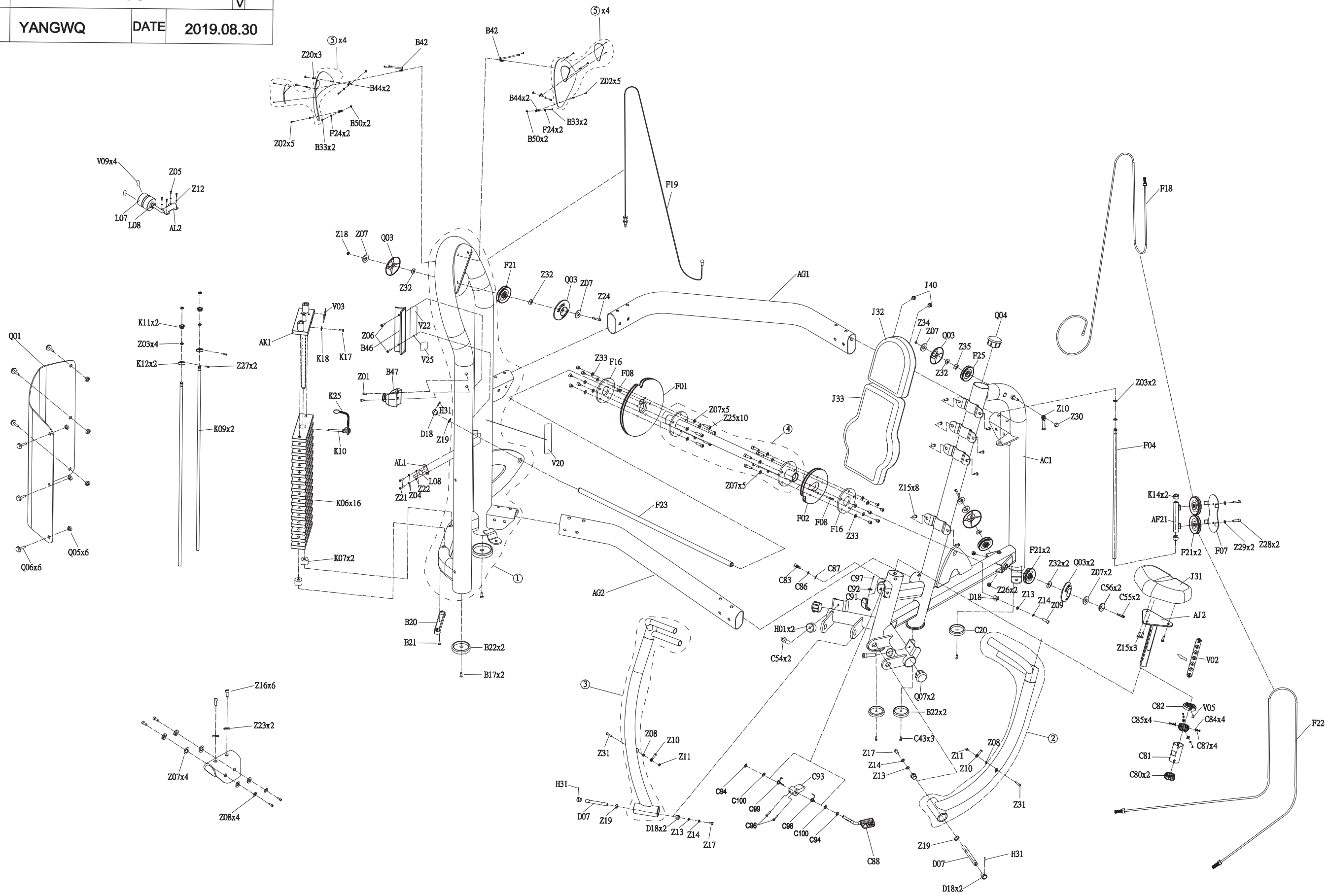
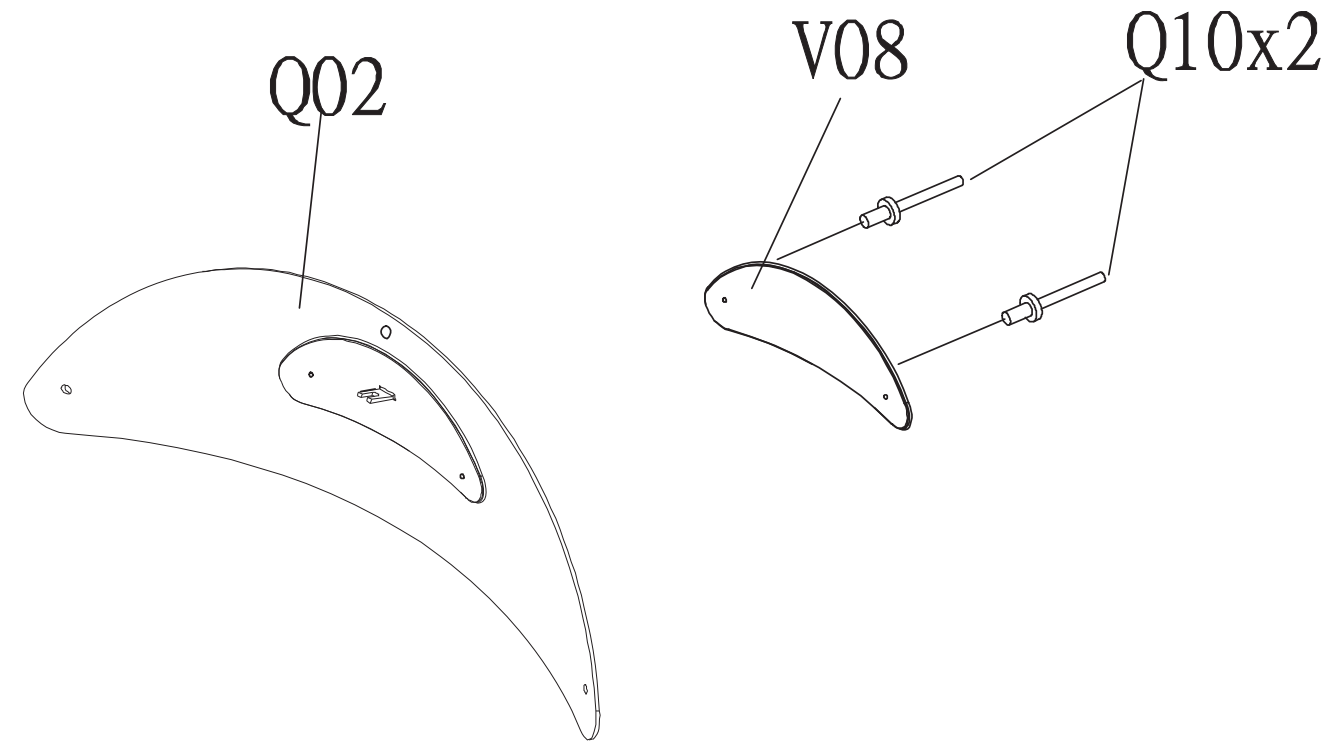


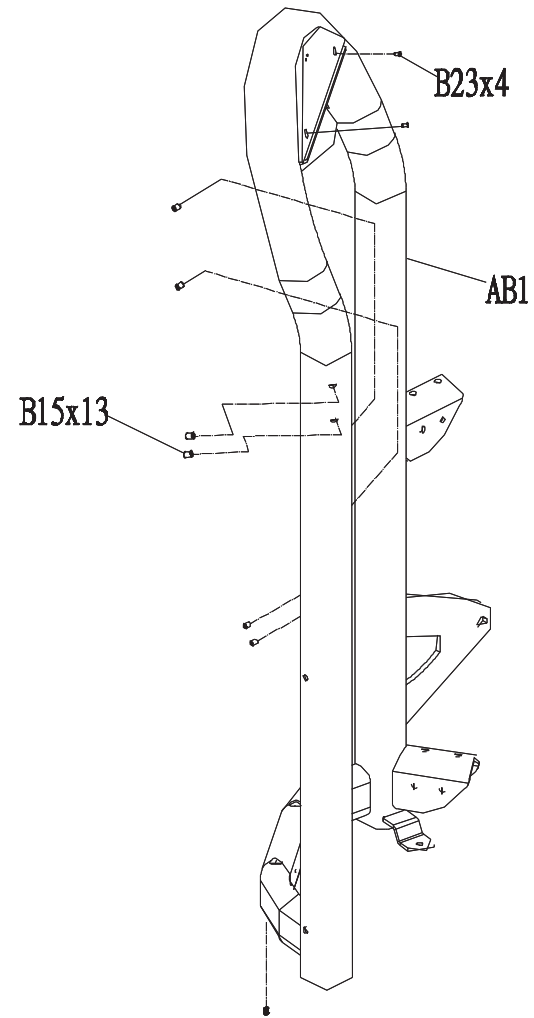
DRAWING NO	PG3GM29C-KM		
PART NAME	Explosive Diagram		
PART NO	MGM0386-00	REV	A
APPROVE	YANGWQ	DATE	2019.08.30



DRAWING NO	GM01E-A004		
PART NAME	COVER SET;Planet Fitness Purple		
PART NO	1000338414	REV	A
APPROVE	Zhouping	DATE	2016.11.22

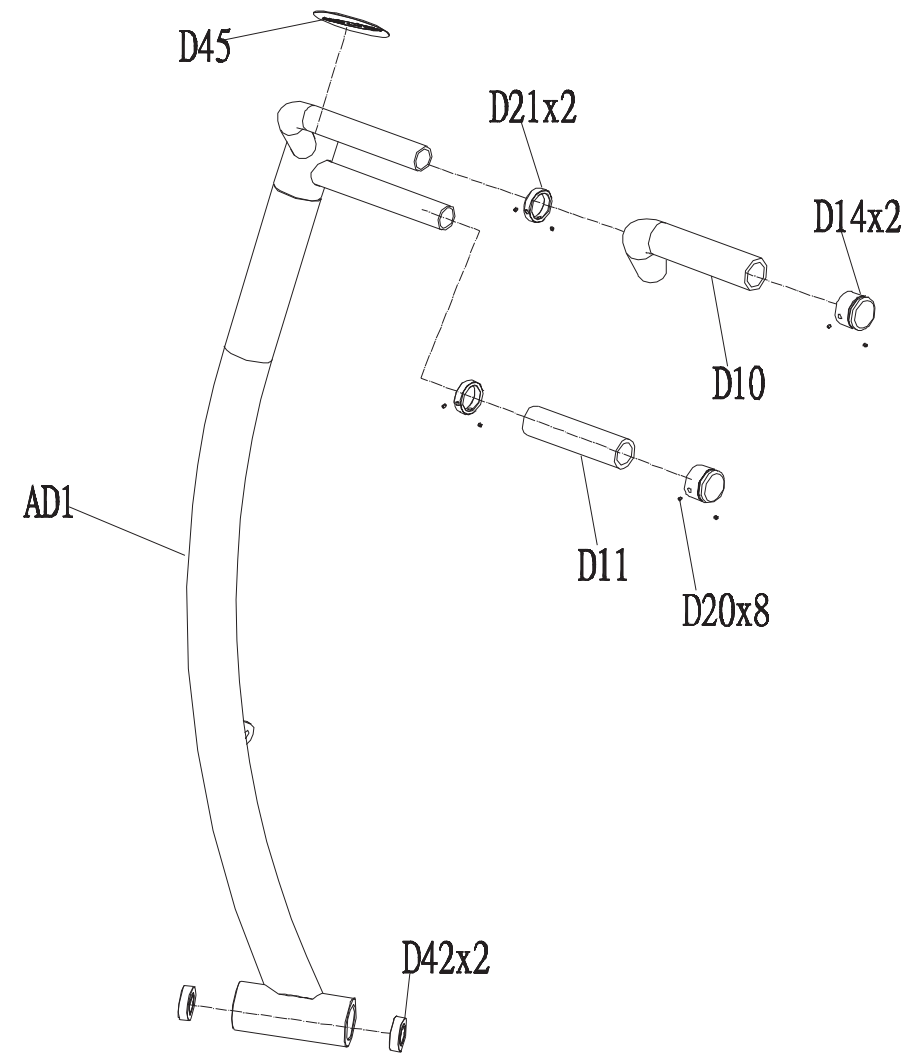


DRAWING NO	GM29C-SF01		
PART NAME	Frame Set;GM29C		
PART NO	SEE CHART	REV	A
APPROVE	GUOJING	DATE	2017-3-8



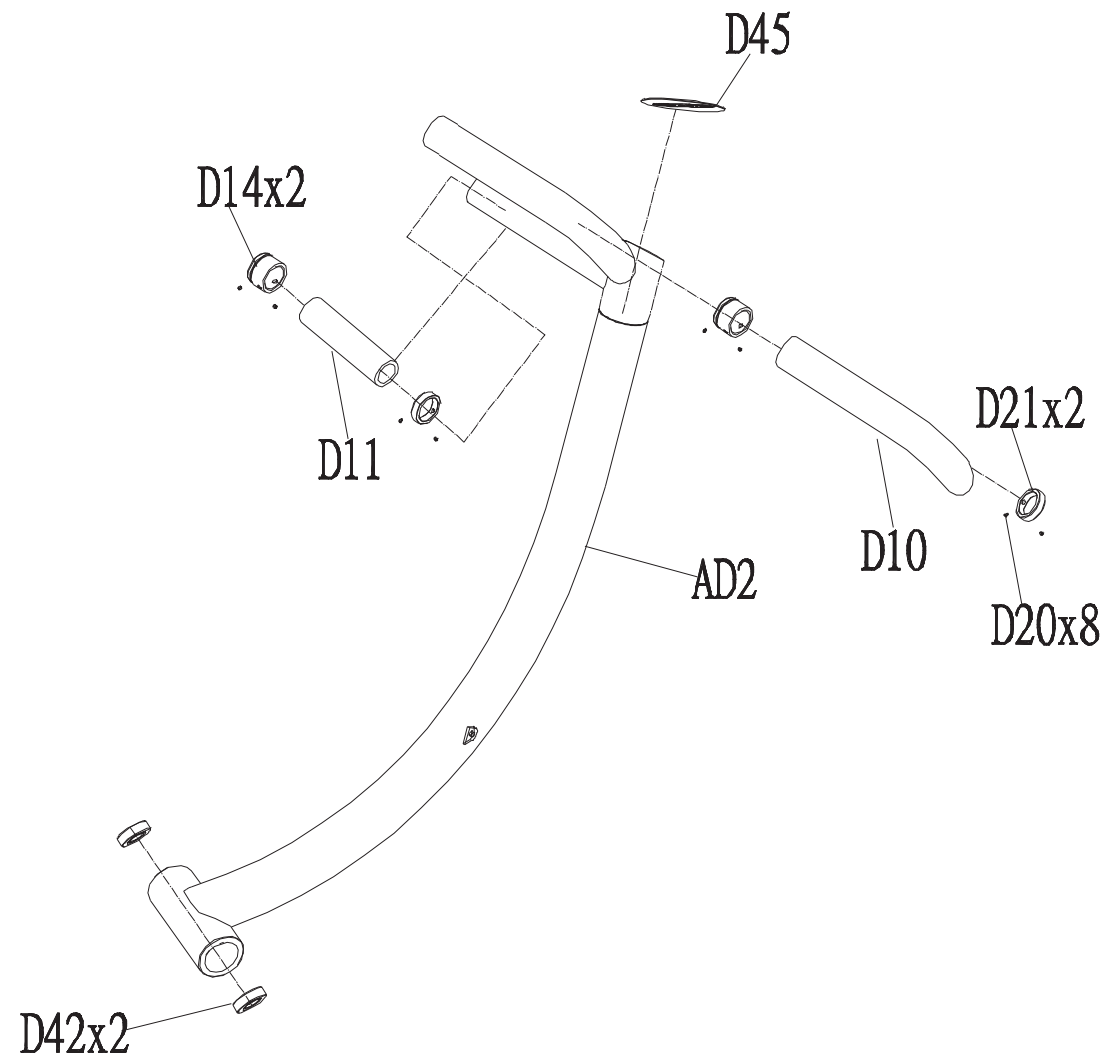
Part NO.	Color
1000320412	Black Matte
1000406606	Platinum
1000406608	Polarized Titanium
1000406614	Pearl White
1000349201	Iced Sliver
1000406611	Lace White
1000406622	Black Glossy
1000094437	Default

DRAWING NO	GM29C-SF02		
PART NAME	Swivel arm set;;left;GM29C		
PART NO	SEE CHART	REV	A
APPROVE	GUOJ ING	DATE	2017-3-8



Part NO.	Color
1000320414	Black Matte
1000406717	Platinum
1000406720	Polarized Titanium
1000406723	Pearl White
1000349202	Iced Sliver
1000406722	Lace White
1000406726	Black Glossy
	Default

DRAWING NO	GM29C-SF03		
PART NAME	Swivel arm set;;right;GM29C		
PART NO	SEE CHART	REV	A
APPROVE	GUOJING	DATE	2017-3-8



Part NO.	Color
1000320415	Black Matte
1000406731	Platinum
1000406758	Polarized Titanium
1000406760	Pearl White
1000349203	Iced Sliver
1000406735	Lace White
1000406762	Black Glossy
	Default

DRAWING NO	GM29C-SF04		
PART NAME	CAM SET		
PART NO	SEE CHART	REV	A
APPROVE	GUOJING	DATE	2017-3-8

Part NO.	Color
1000320416	Black Matte
1000406637	Platinum
1000406640	Polarized Titanium
1000406672	Pearl White
1000349204	Iced Sliver
1000406642	Lace White
1000406675	Black Glossy
1000094441	Default

