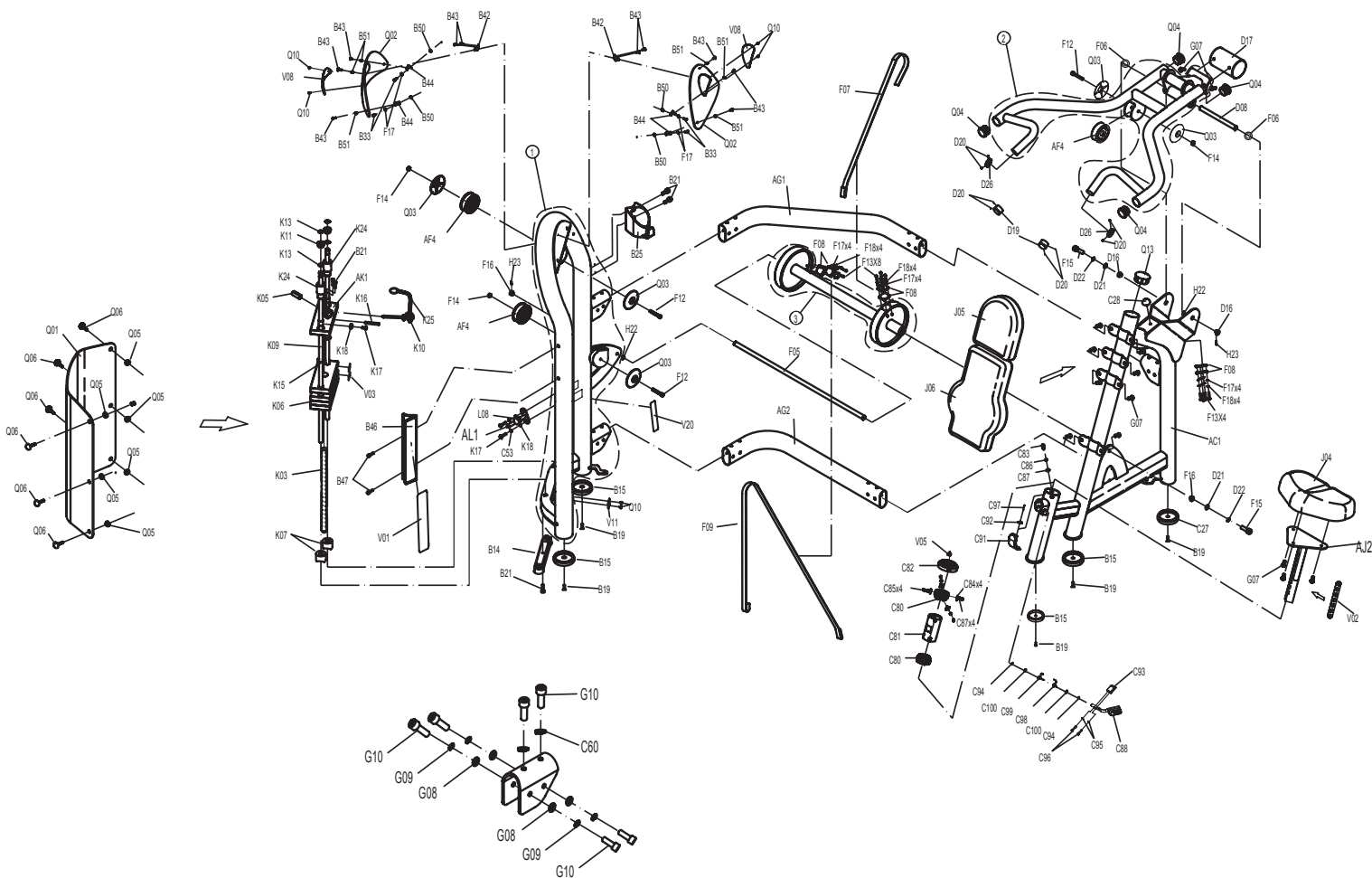
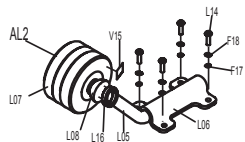
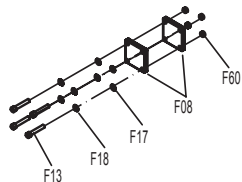
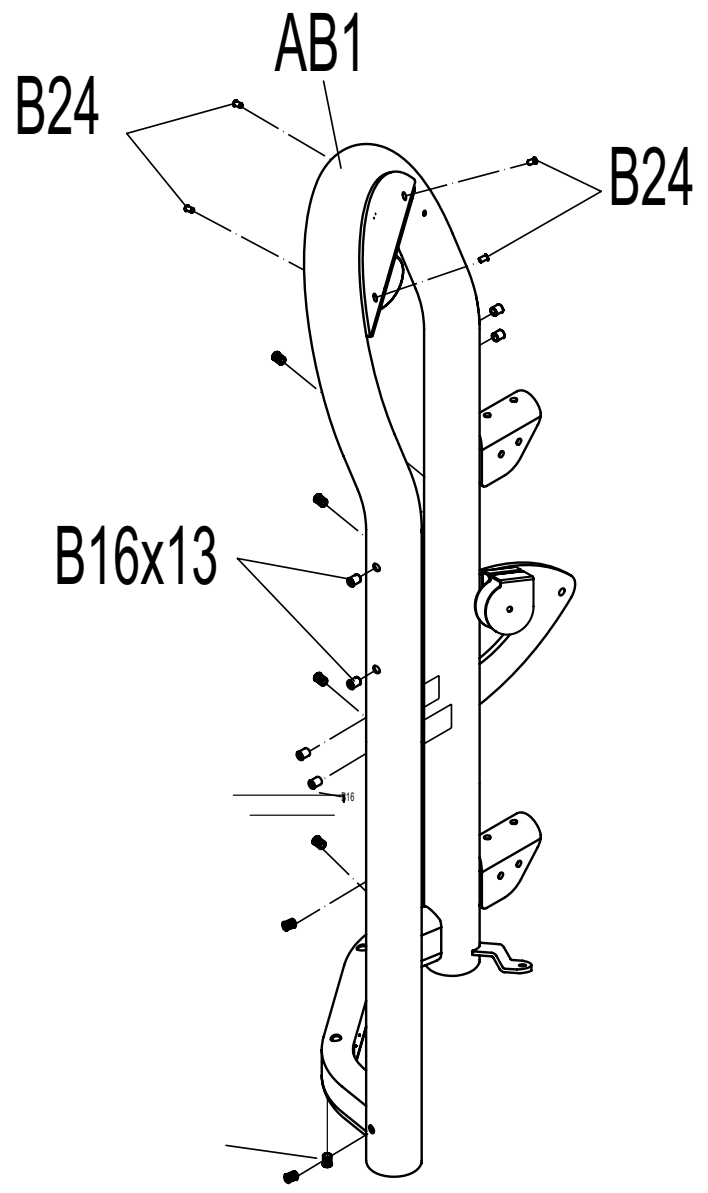


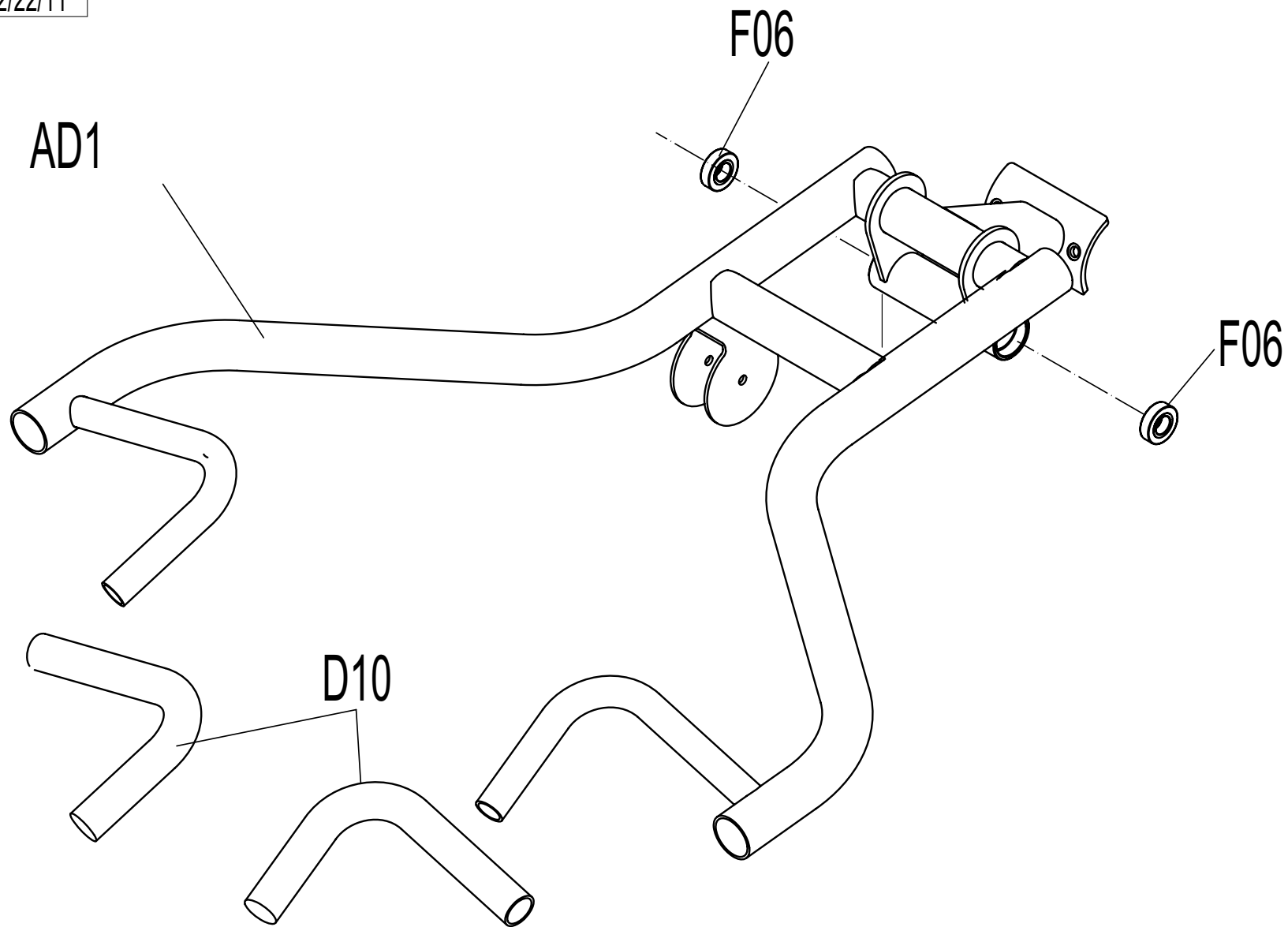
DRAWING NO	GM11C-A03		
PART NAME	GM11C-KM		
PART NO	MGM0394-00	REV	A
APPROVE	JEFFREY	DATE	02/22/11



DRAWING NO			
PART NAME	MAIN FRAME SET		
PART NO	095807	REV	A
APPROVE	JEFFREY	DATE	02/22/11



DRAWING NO			
PART NAME	LEFT ARM FRAME SET		
PART NO	088689	REV	A
APPROVE	JEFFREY	DATE	02/22/11



DRAWING NO			
PART NAME	CAM FRAME SET		
PART NO	088690	REV	A
APPROVE	JEFFREY	DATE	02/22/11

