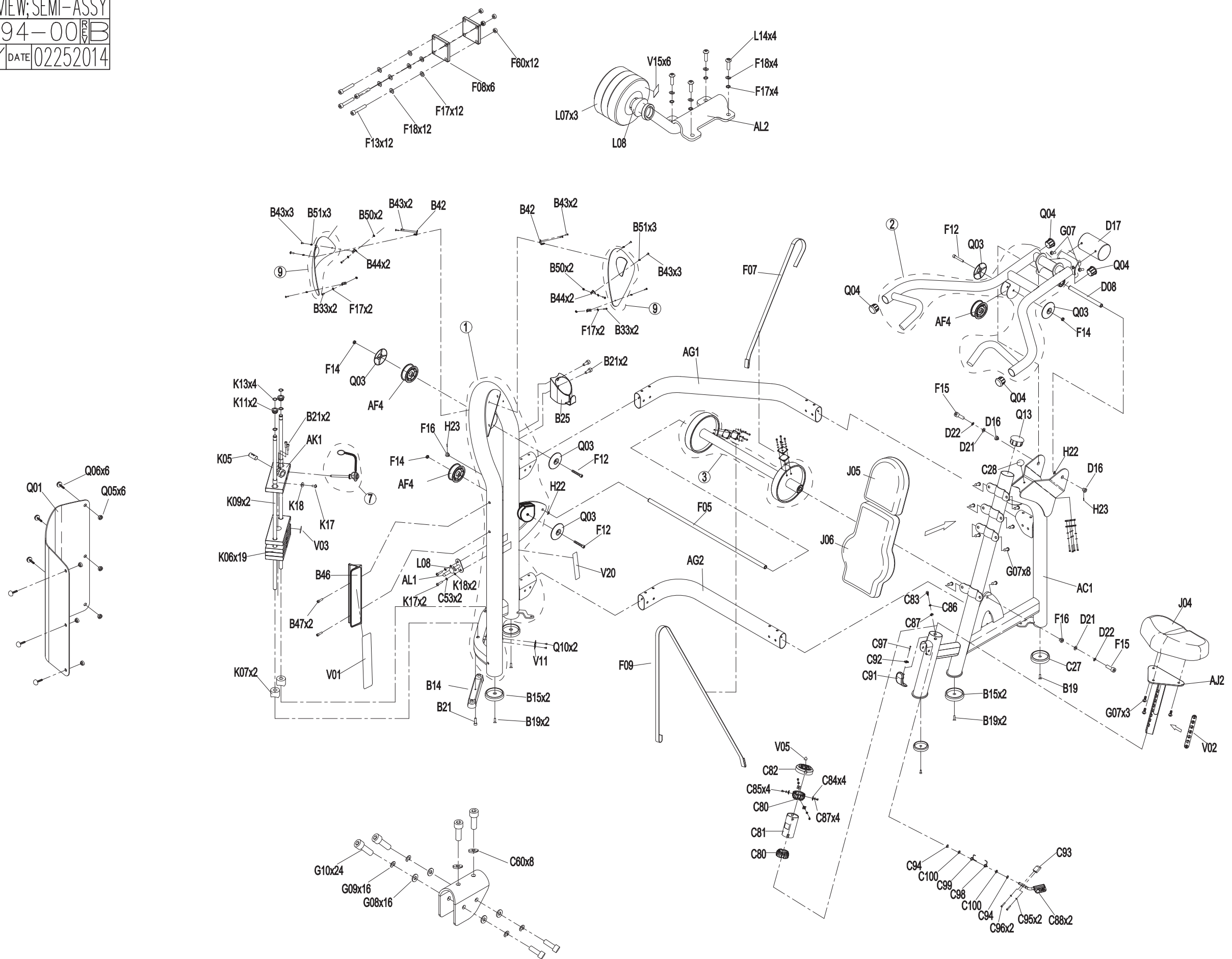
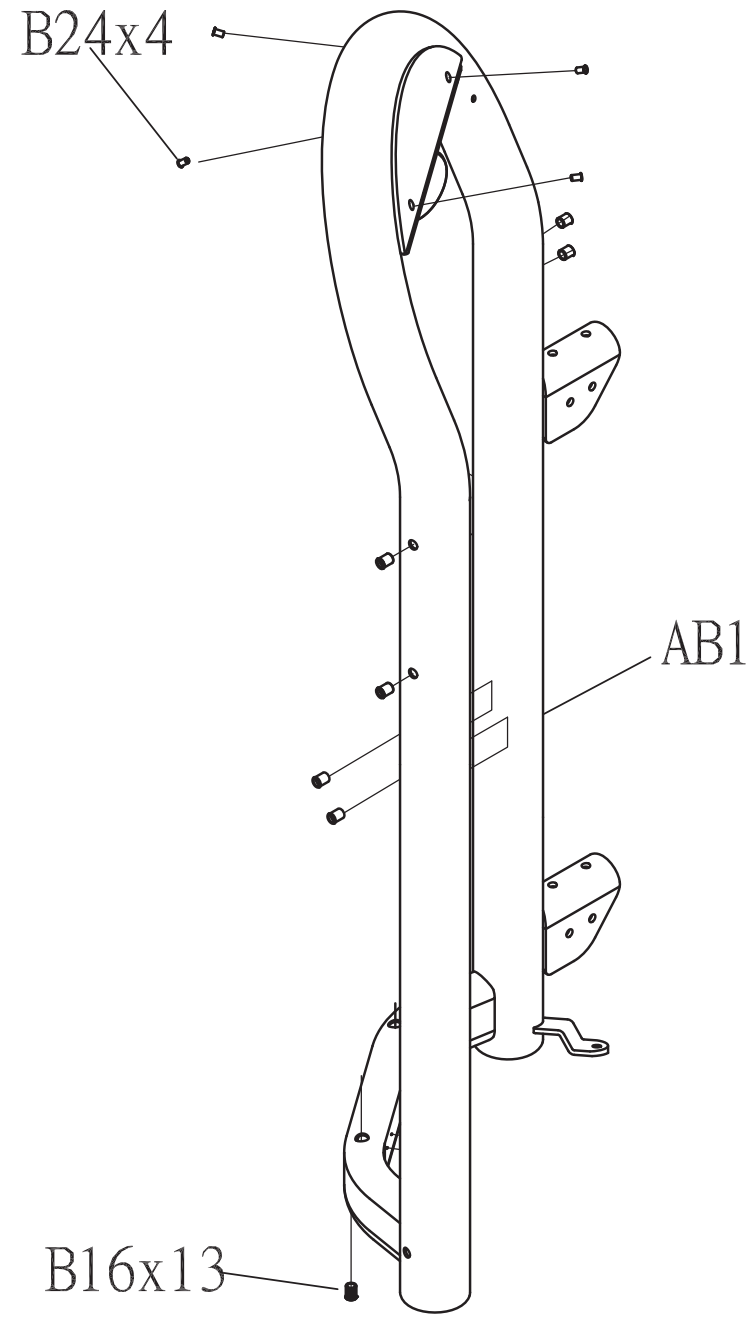


|            |                         |
|------------|-------------------------|
| DRAWING NO | GM11C-A03               |
| PART NAME  | EXPLODED_VIEW;SEMI-ASSY |
| PART NO    | MGM0394-001B            |
| APPROVE    | DENNY DATE 02252014     |

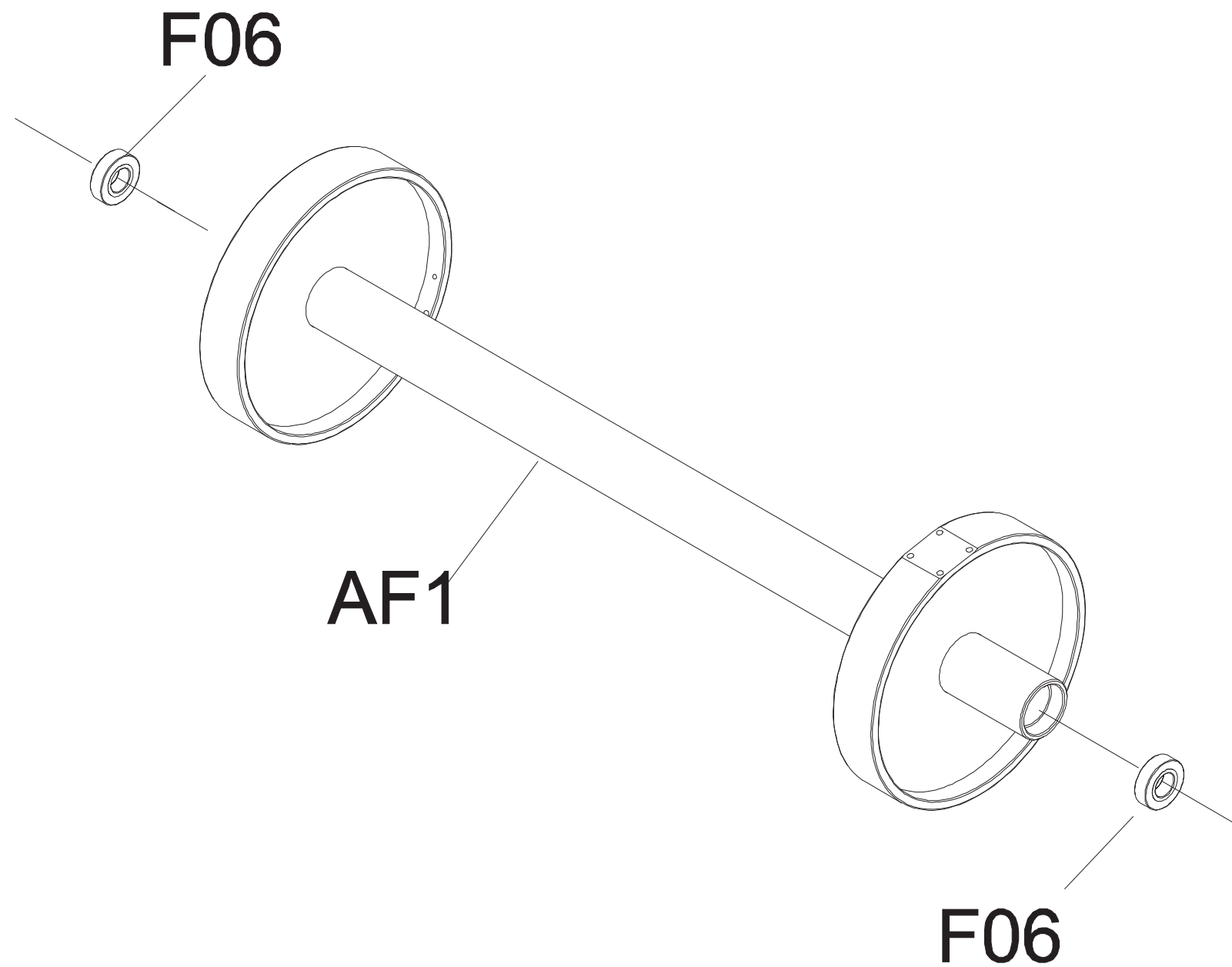


|            |                     |      |          |
|------------|---------------------|------|----------|
| DRAWING NO |                     |      |          |
| PART NAME  | Frame set;GM11KM-G3 |      |          |
| PART NO    | See chart           | REV  | A        |
| APPROVE    | Ares                | DATE | 07/11/14 |

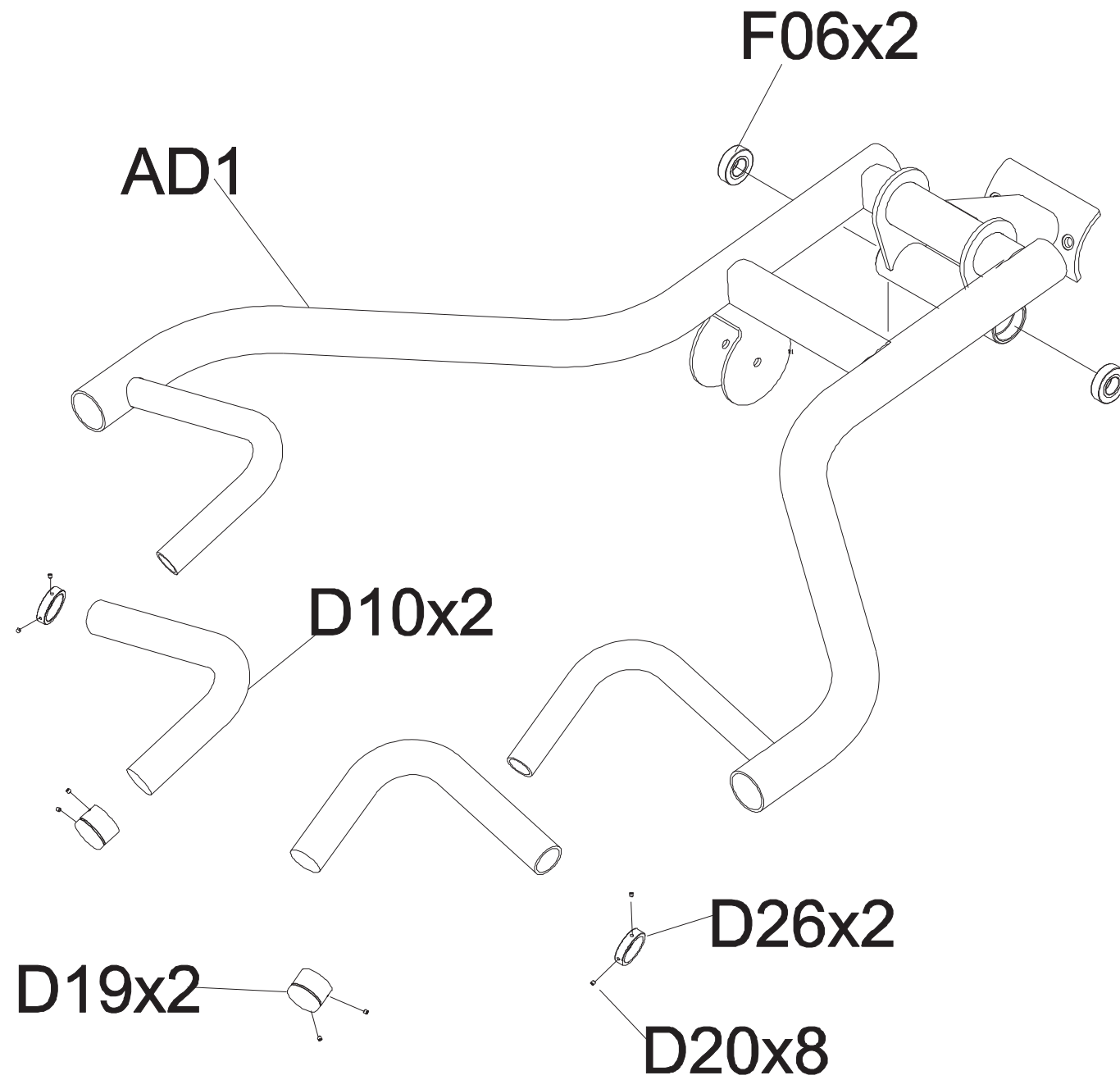
| Coulour     | Part no.   |
|-------------|------------|
| Default     | 095807     |
| Iced Sliver | 1000349205 |



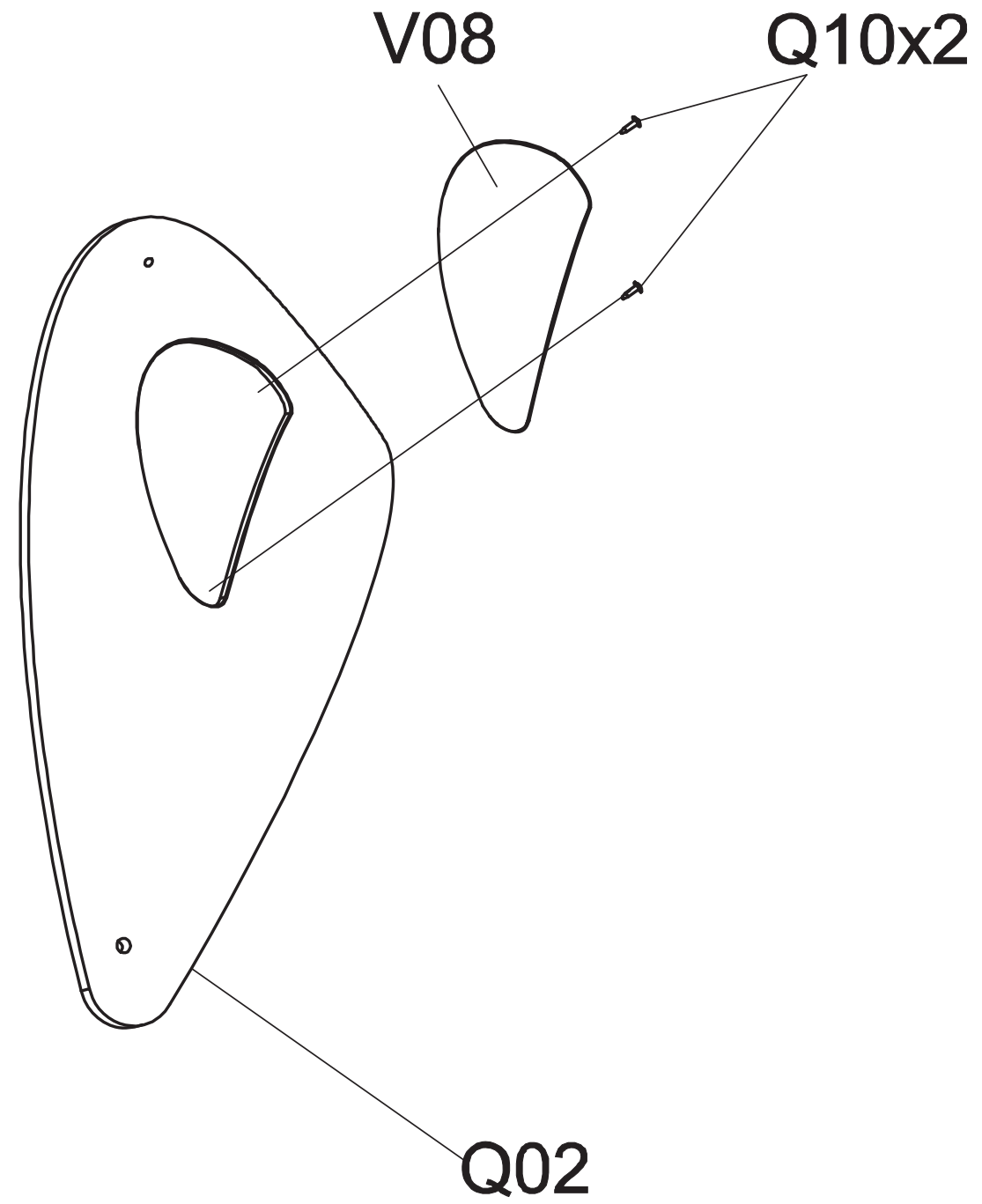
|            |                  |      |          |
|------------|------------------|------|----------|
| DRAWING NO |                  |      |          |
| PART NAME  | CAM SET;GM11D-KM |      |          |
| PART NO    | 1000349207       | REV  | A        |
| APPROVE    | KNIGHT           | DATE | 10/30/14 |



|            |                      |      |          |
|------------|----------------------|------|----------|
| DRAWING NO |                      |      |          |
| PART NAME  | Swivel arm set;GM11D |      |          |
| PART NO    | 1000349206           | REV  | A        |
| APPROVE    | KNIGHT               | DATE | 10/30/14 |



|            |                    |      |        |
|------------|--------------------|------|--------|
| DRAWING NO |                    |      |        |
| PART NAME  | COVER SET;GM11D-KM |      |        |
| PART NO    | 1000338414         | REV  | A      |
| APPROVE    | KNIGHT             | DATE | 111214 |



|            |                               |      |          |
|------------|-------------------------------|------|----------|
| DRAWING NO |                               |      |          |
| PART NAME  | ADJUST SET;SA;;;GM30C;SERVICE |      |          |
| PART NO    | 1000212618                    | REV  | A        |
| APPROVE    | Bonnie                        | DATE | 20110126 |

