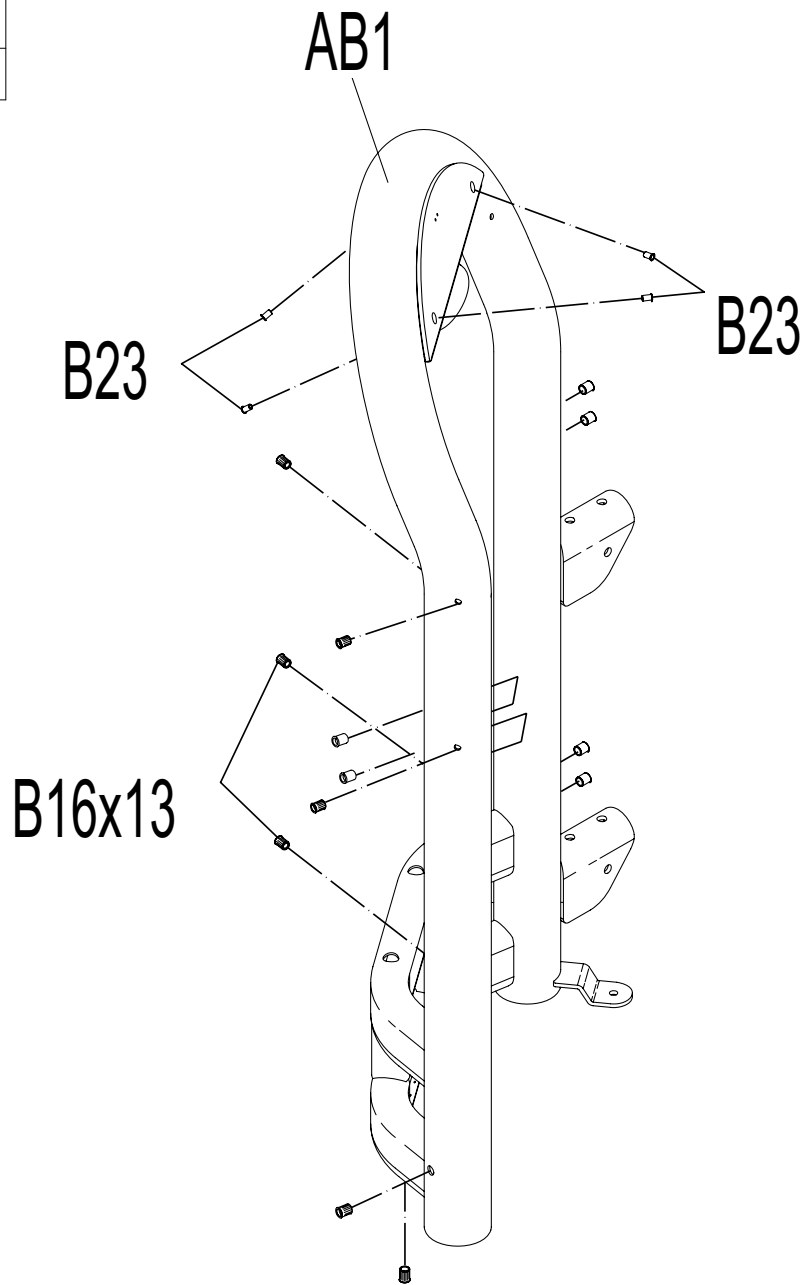
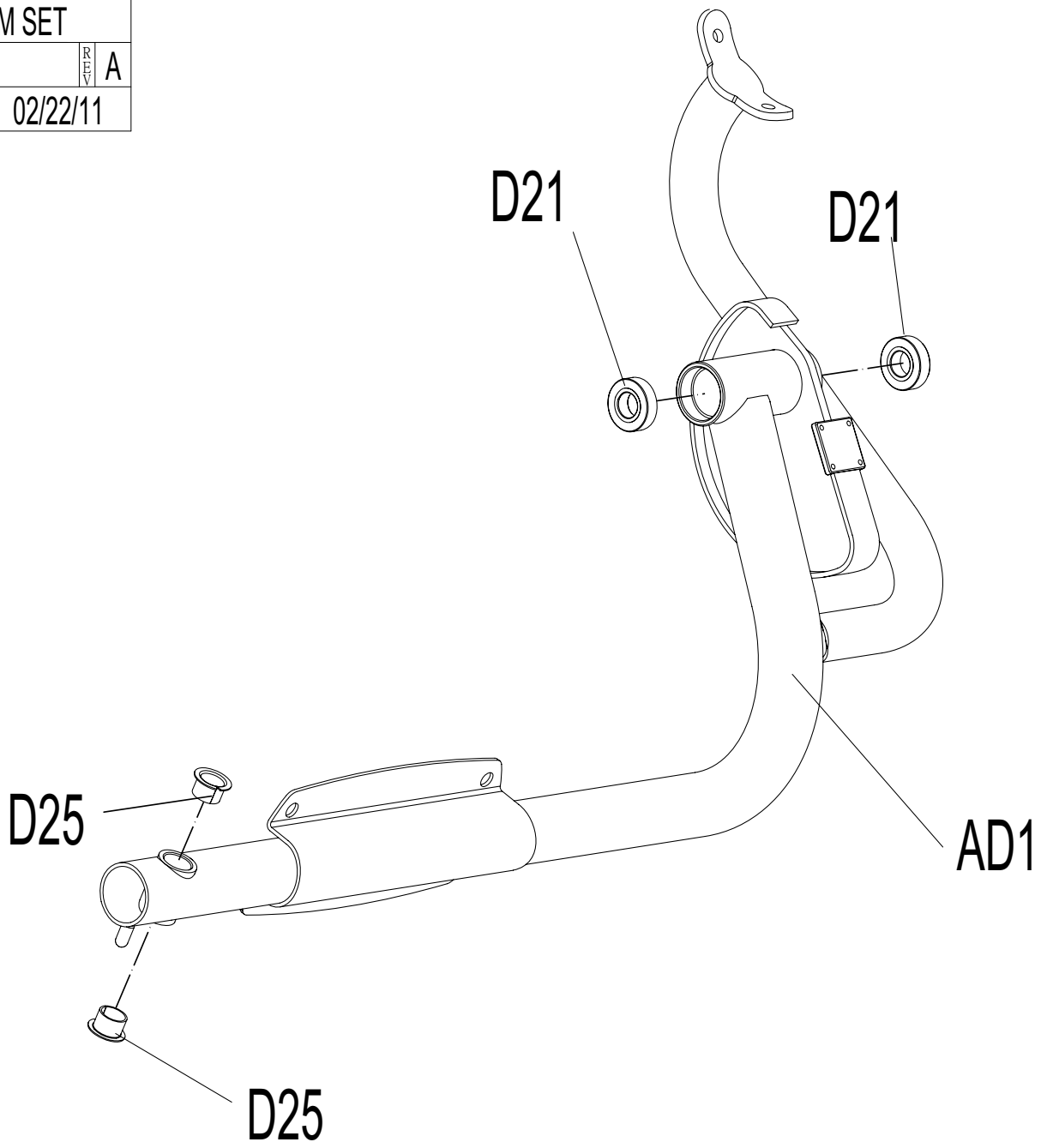


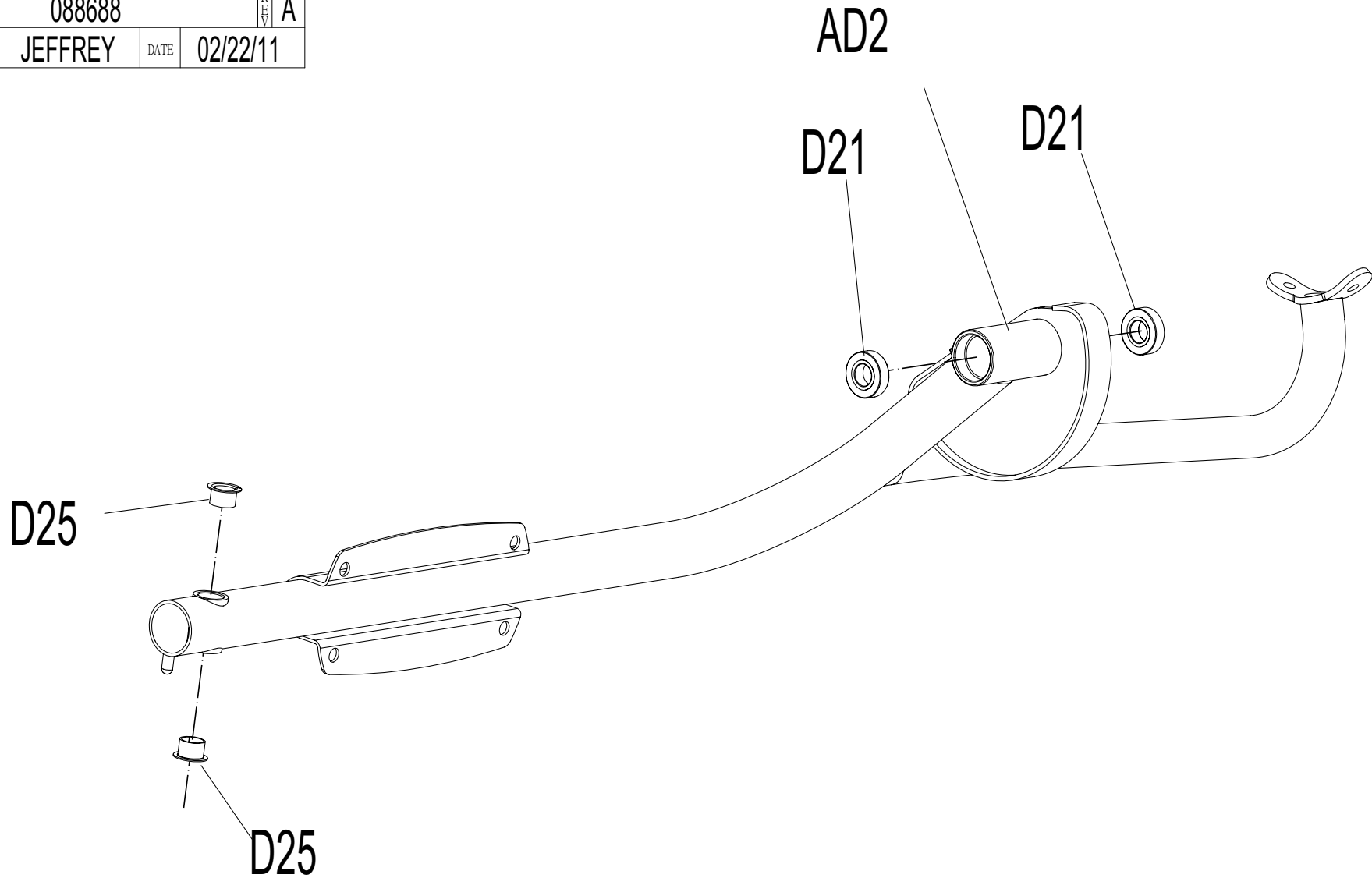
DRAWING NO			
PART NAME	MAIN FRAME SET		
PART NO	096014	REV	A
APPROVE	JEFFREY	DATE	02/22/11



DRAWING NO			
PART NAME	LEFT PEDAL ARM SET		
PART NO	087677	REV	A
APPROVE	JEFFREY	DATE	02/22/11



DRAWING NO			
PART NAME	RIGHT PEDAL ARM SET		
PART NO	088688	REV	A
APPROVE	JEFFREY	DATE	02/22/11



DRAWING NO			
PART NAME	HANDLE BAR FRAME		
PART NO	096013	REV	A
APPROVE	JEFFREY	DATE	02/22/11

