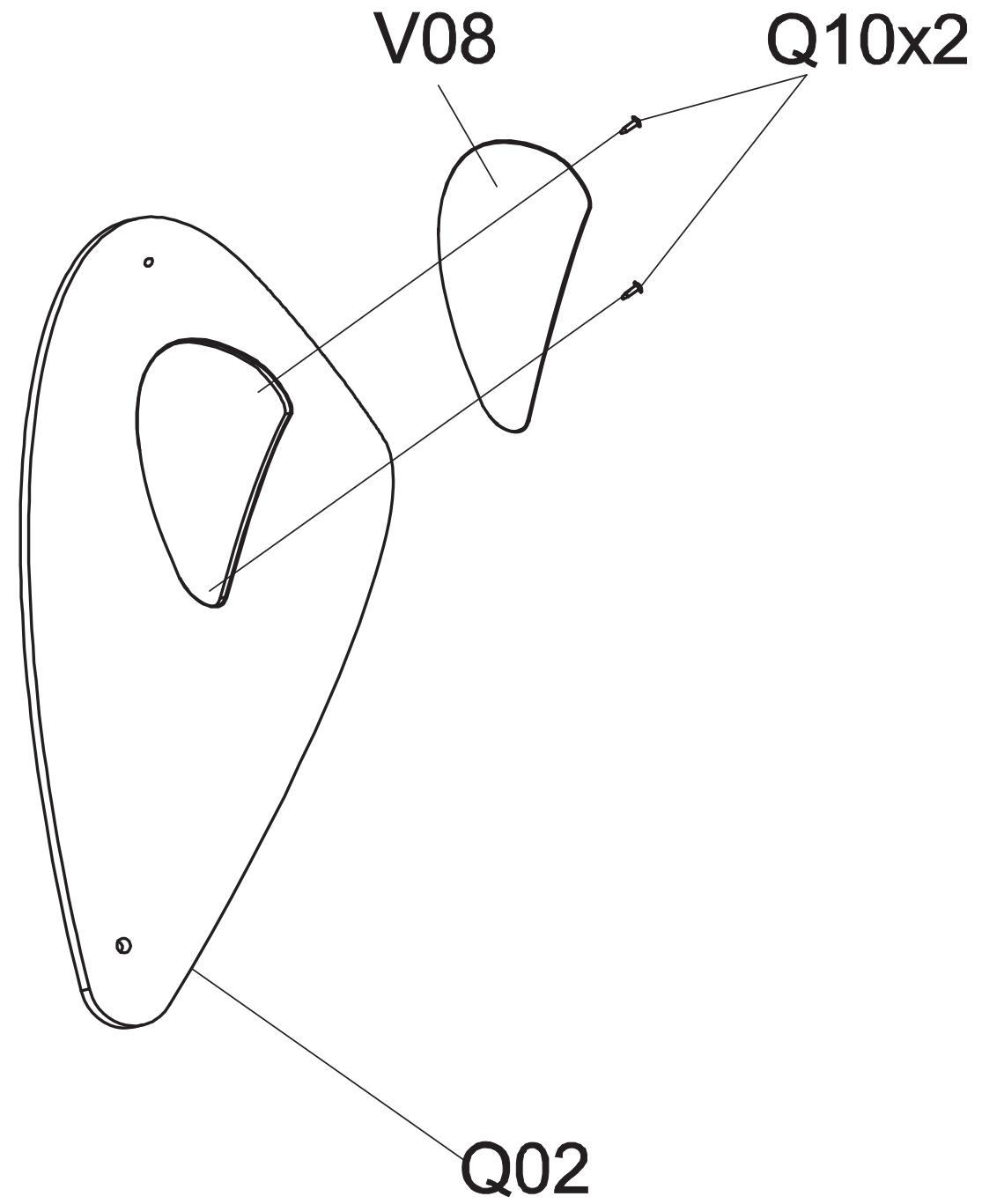
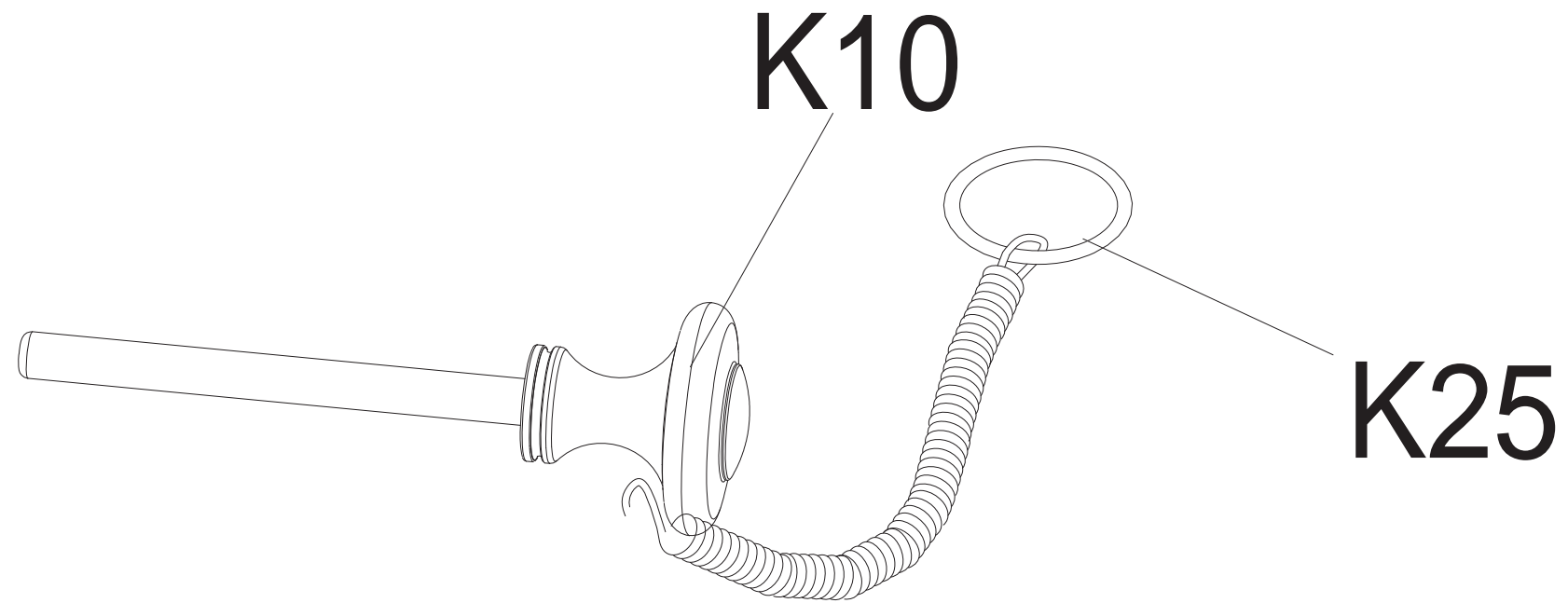


DRAWING NO			
PART NAME	COVER SET;GM11D-KM		
PART NO	1000338414	REV	A
APPROVE	KNIGHT	DATE	111214

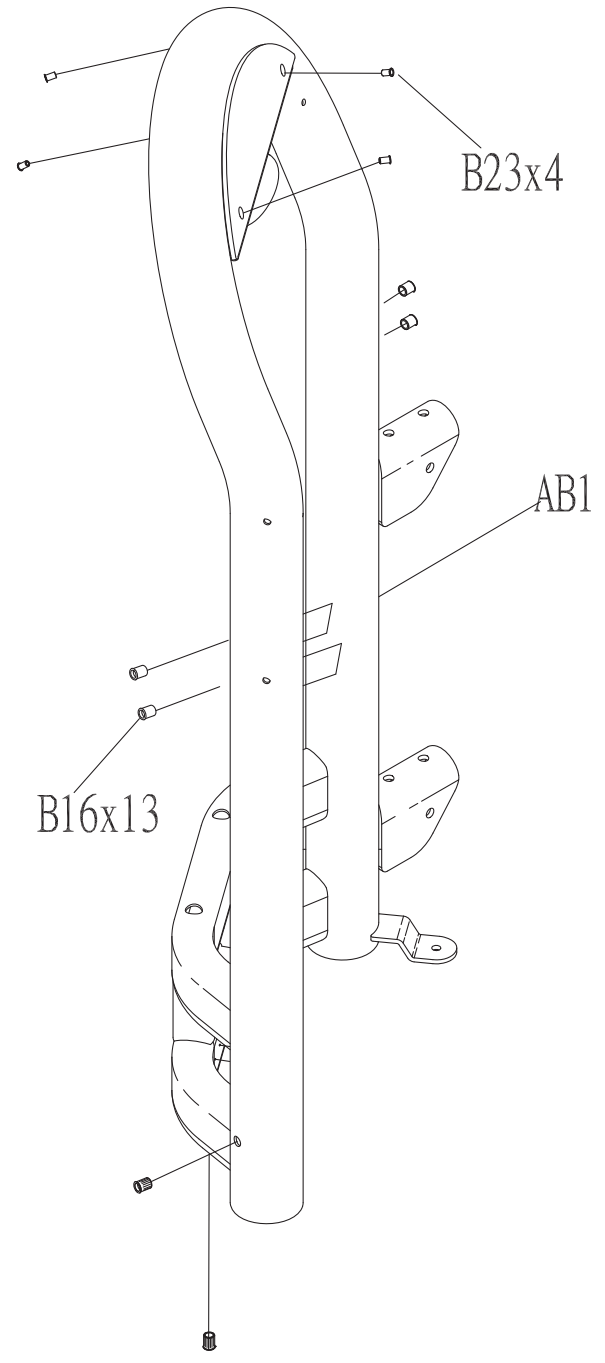


DRAWING NO			
PART NAME	ADJUST SET;SA;;;GM30C;SERVICE		
PART NO	1000212618	REV	A
APPROVE	Bonnie	DATE	20110126



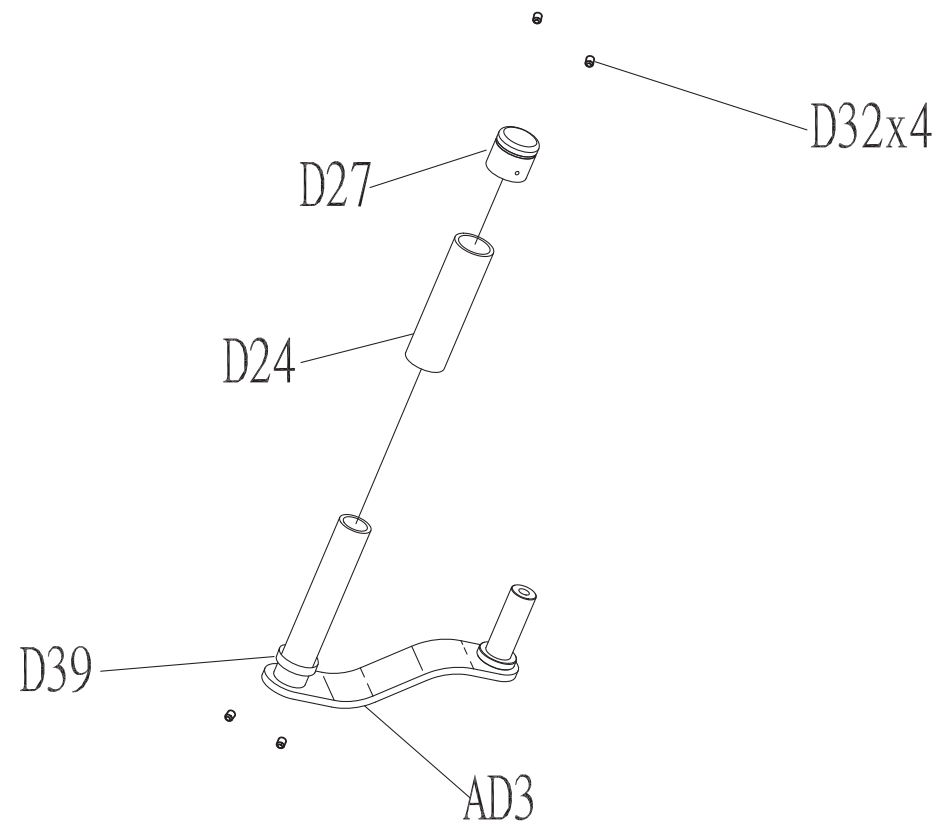
DRAWING NO			
PART NAME	Frame Set;GM12C		
PART NO	See chart	REV	A
APPROVE	Ares	DATE	07/11/14

Coulour	Part no.
Default	096014
Black Matte	1000320093
Iced Sliver	1000349208



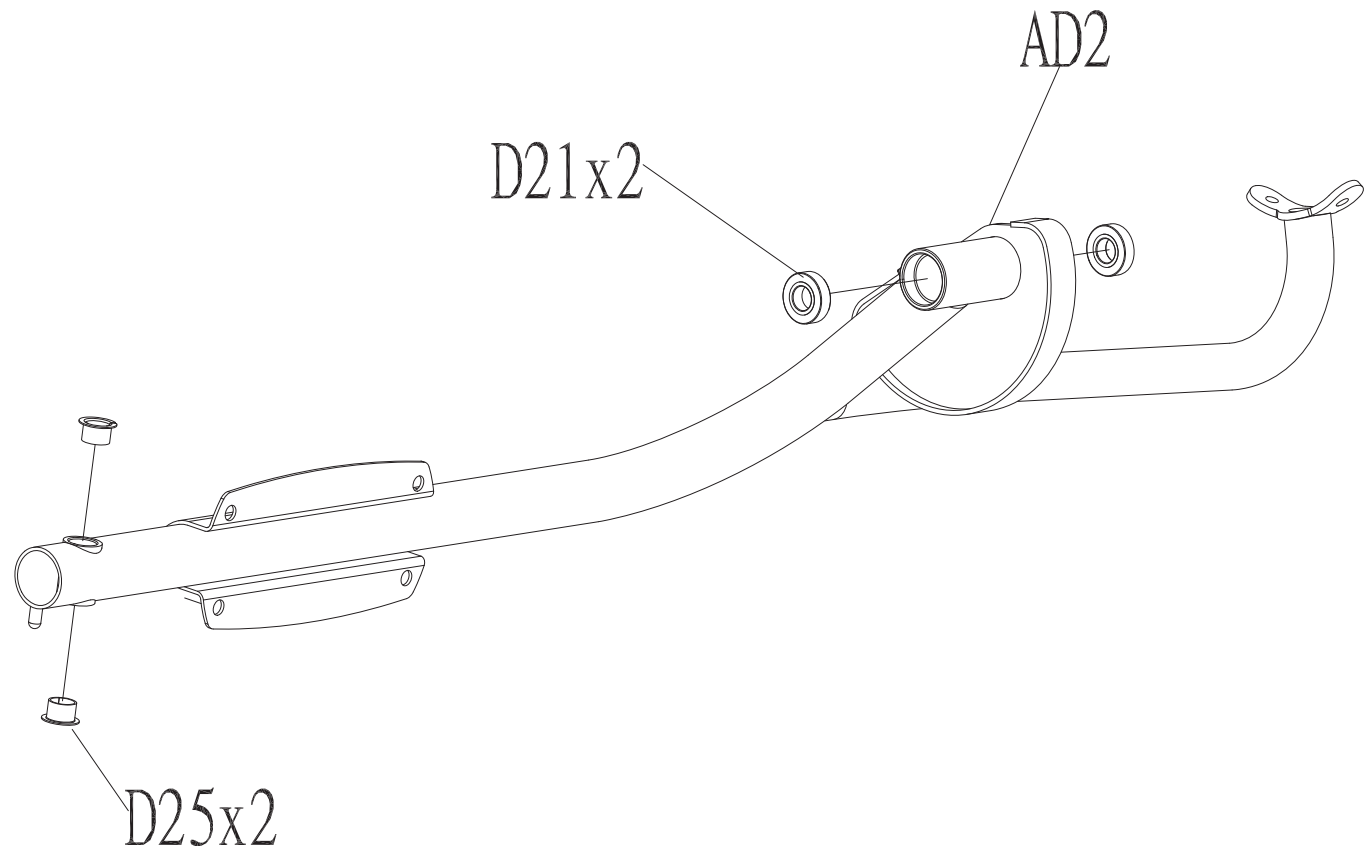
DRAWING NO			
PART NAME	Handle Set;GM12C		
PART NO	See chart	REV	A
APPROVE	Ares	DATE	07/14/14

Coulour	Part no.
Default	096013
Black Matte	1000320096
Iced Sliver	1000349211



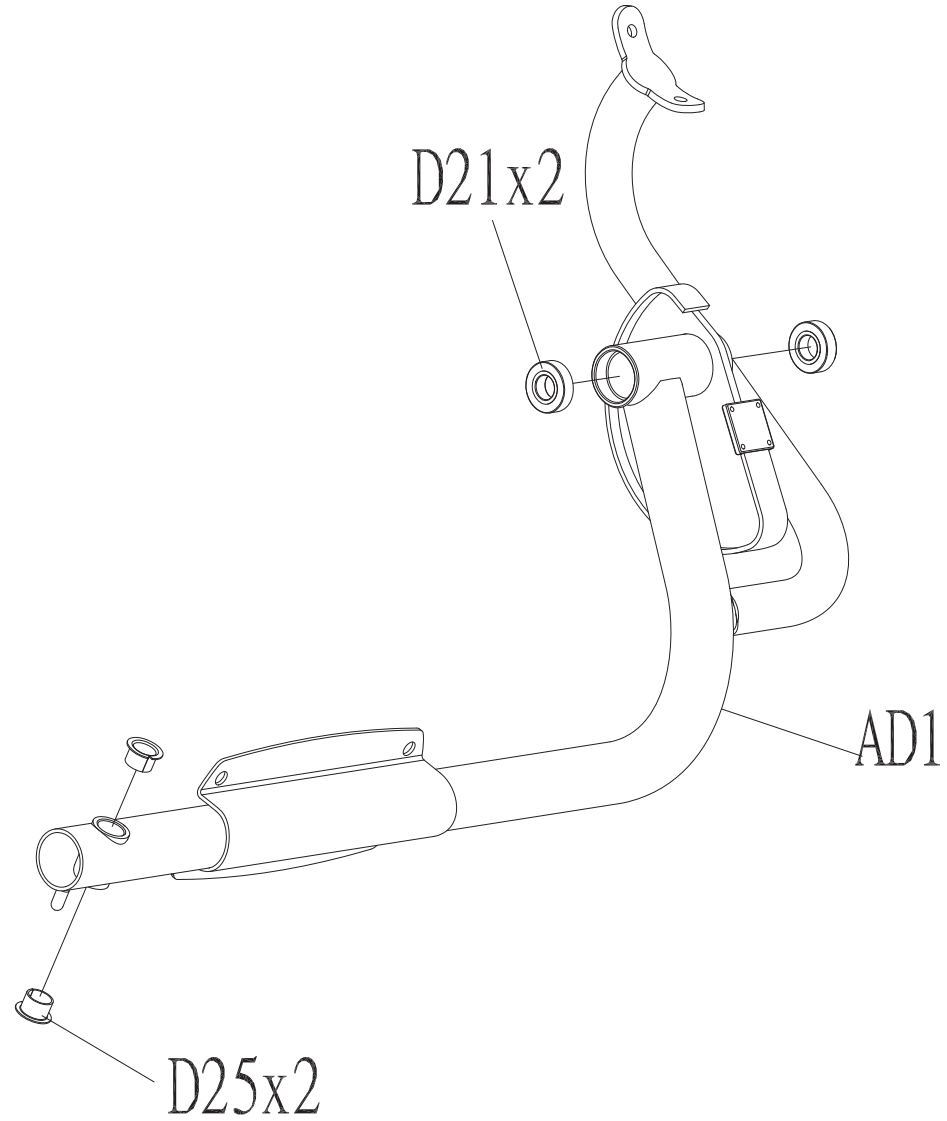
DRAWING NO			
PART NAME	Pedal arm set;;right;GM12C		
PART NO	See chart	REV	A
APPROVE	Ares	DATE	07/11/14

Coulour	Part no.
Default	088688
Black Matte	1000320095
Iced Sliver	1000349210

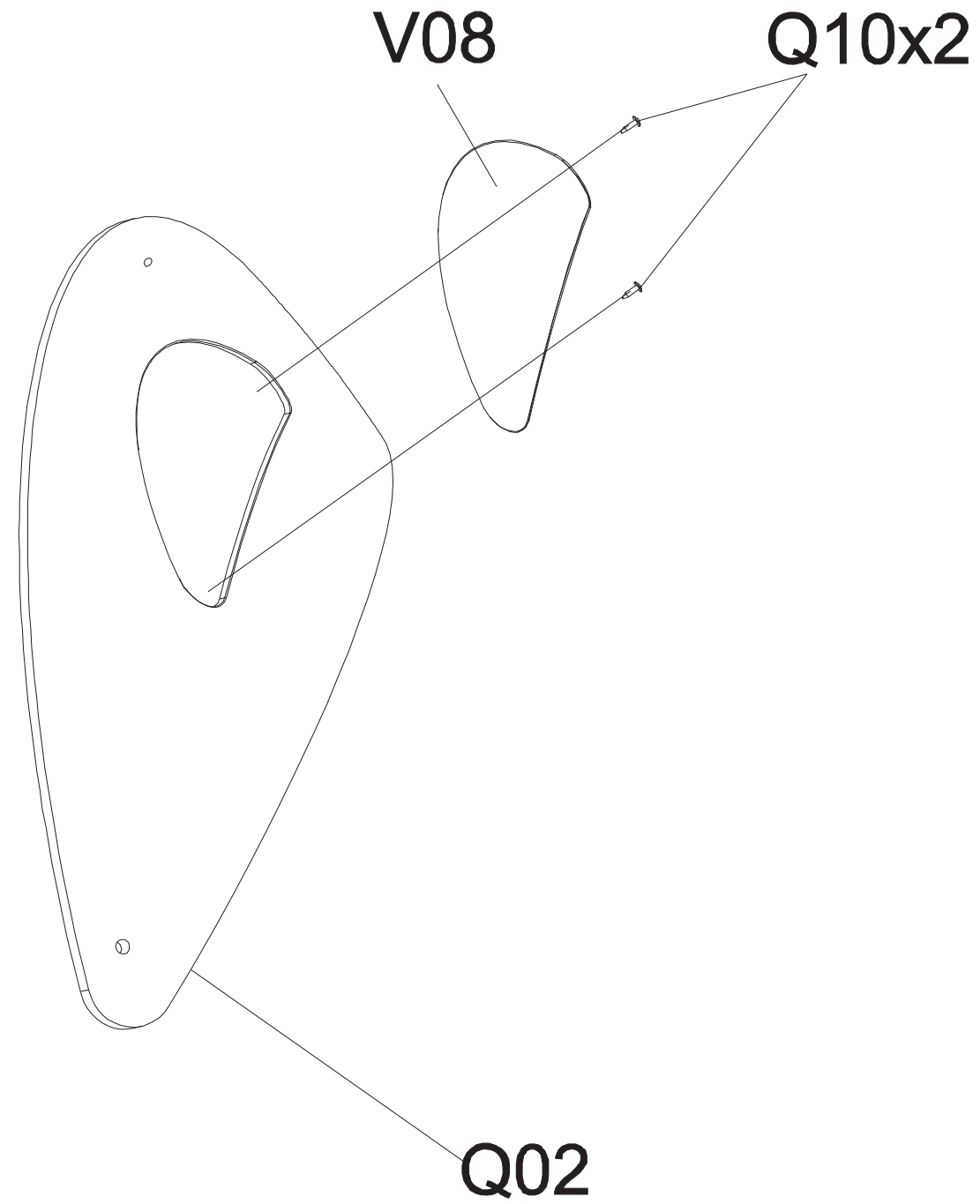


DRAWING NO			
PART NAME	Pedal arm set;;left;GM12C		
PART NO	See chart	REV	A
APPROVE	Ares	DATE	07/11/14

Coulour	Part no.
Default	087677
Black Matte	1000320094
Iced Sliver	1000349209



DRAWING NO			
PART NAME	COVER SET;GM11D-KM		
PART NO	085775	REV	A
APPROVE	KNIGHT	DATE	111214



DRAWING NO			
PART NAME	COVER SET;GM11D-KM		
PART NO	085728	REV	A
APPROVE	KNIGHT	DATE	111214

