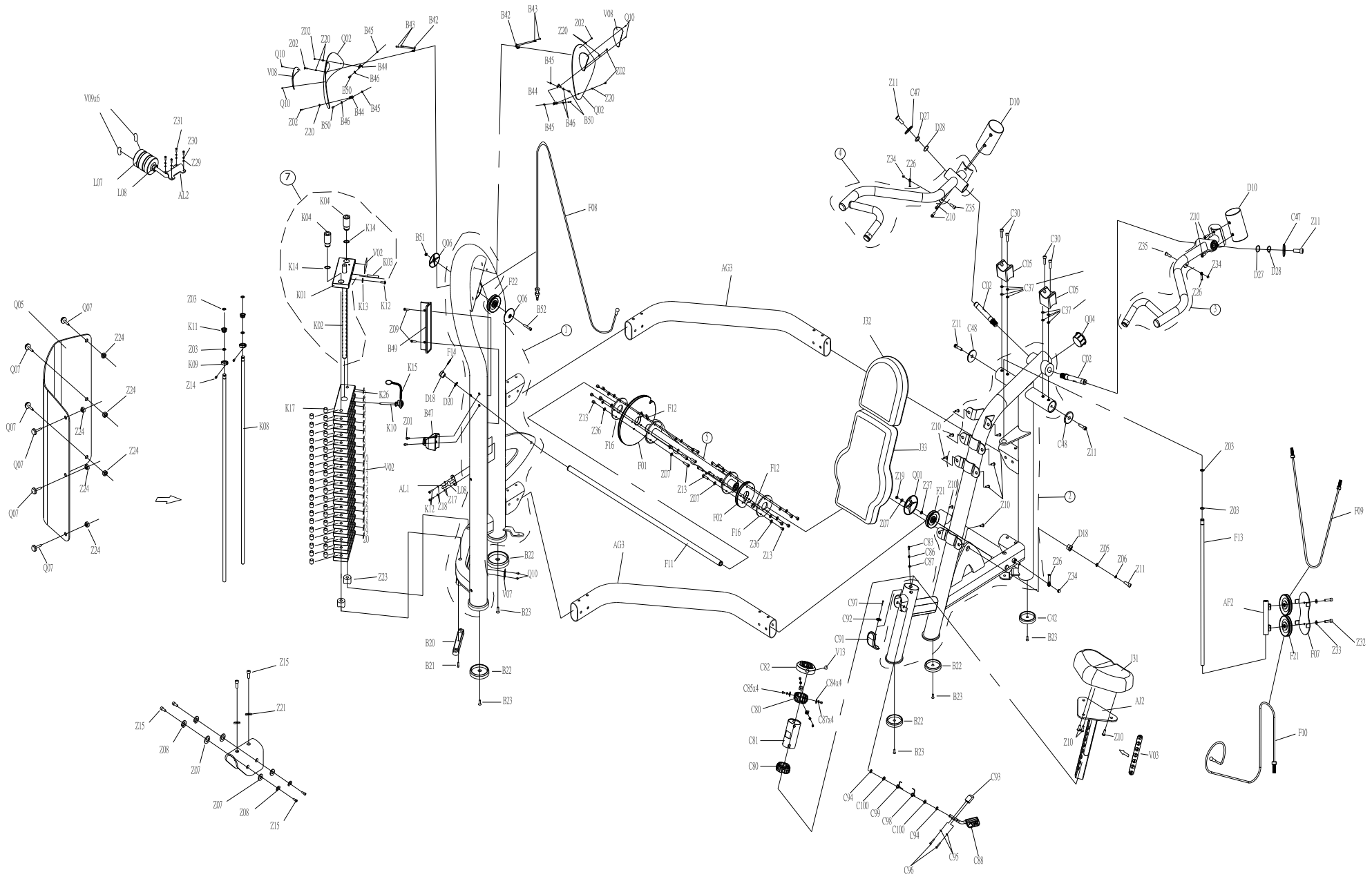
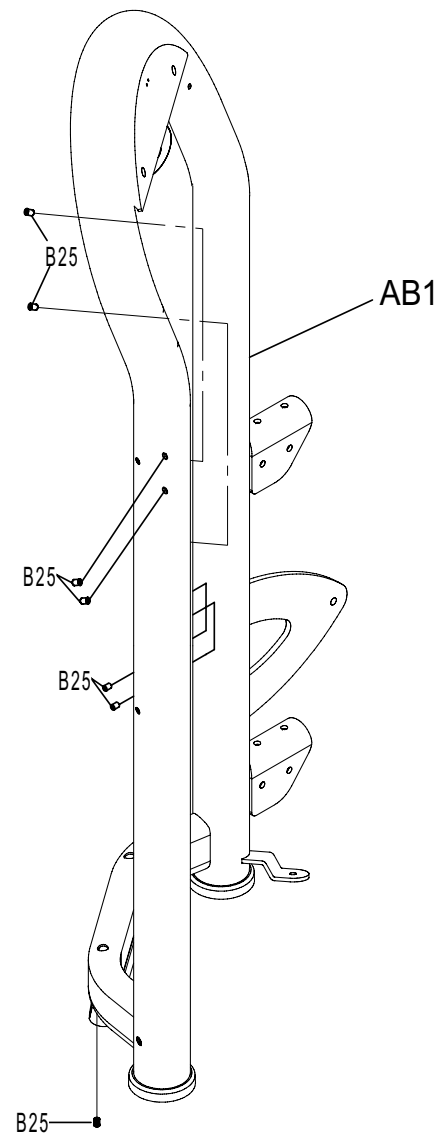


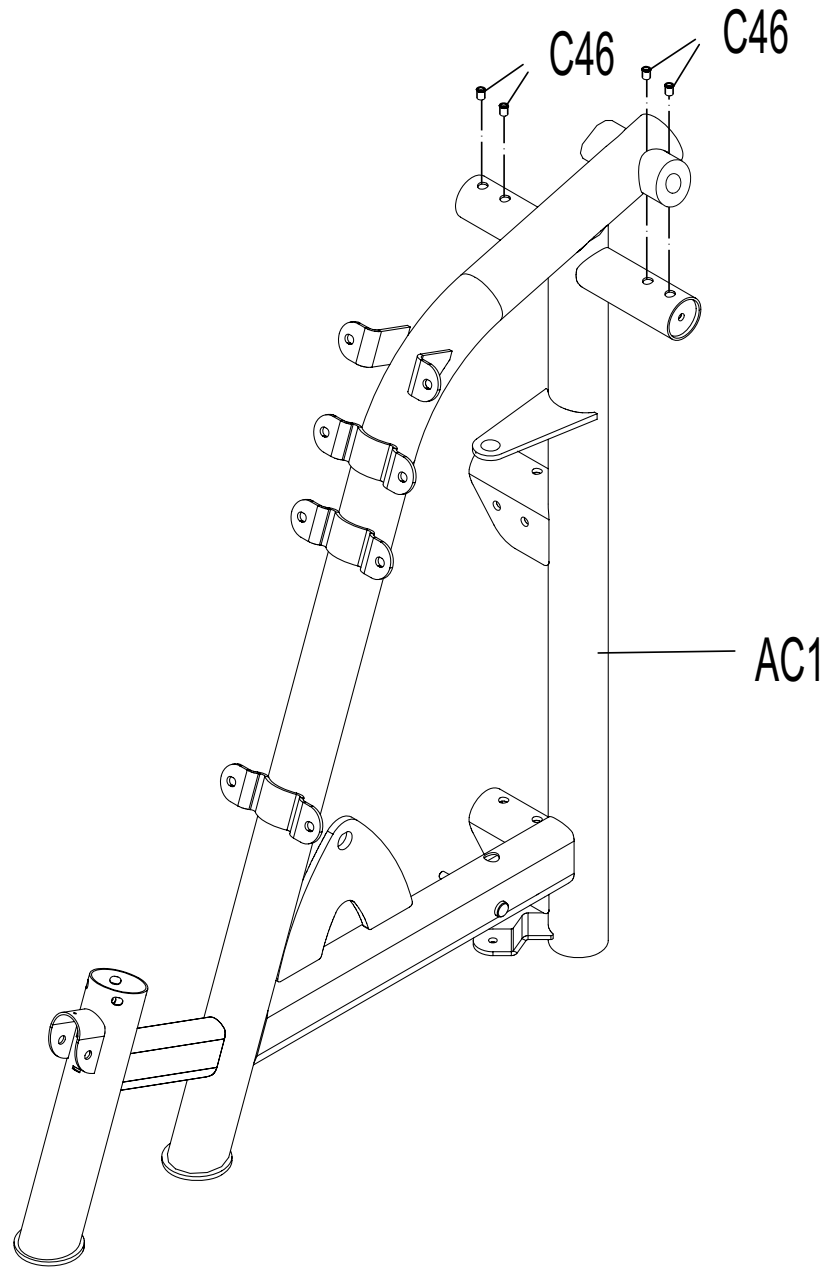
DRAWING NO	GM27C-A03		
PART NAME	GM27C-KM		
PART NO	MGM0384-00	REV	A
APPROVE	JEFFREY	DATE	02/24/11



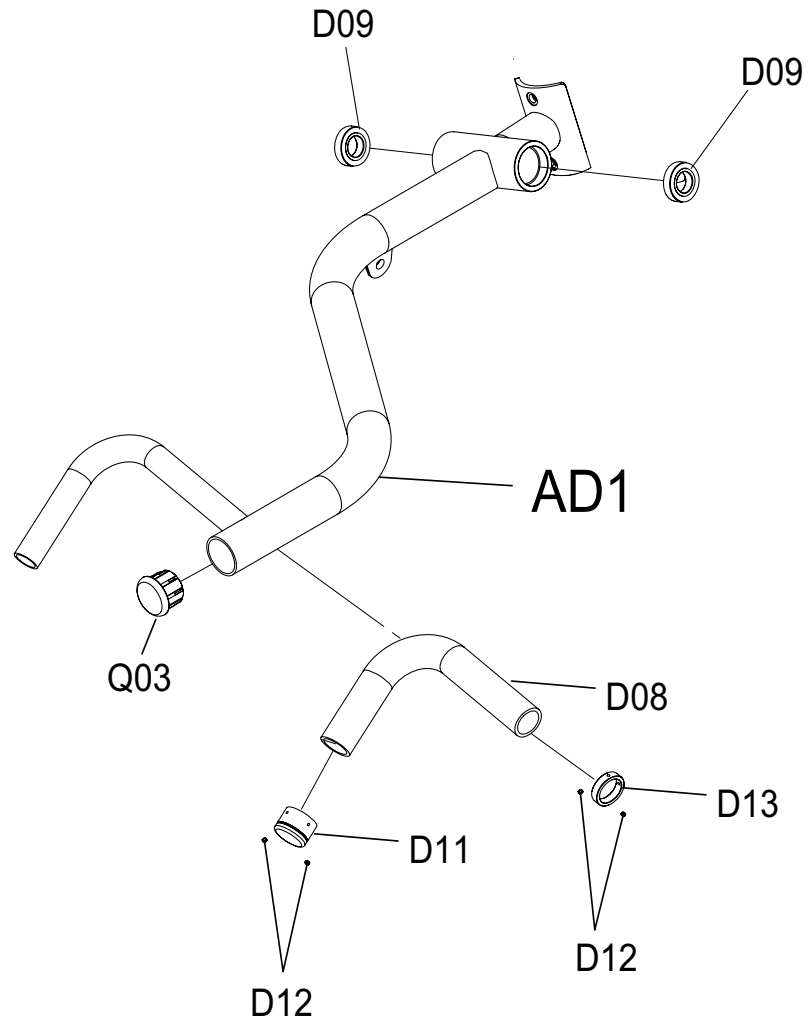
DRAWING NO			
PART NAME	MAIN FRAME SET		
PART NO	100094063		
APPROVE	NICOLE	DATE	20101203



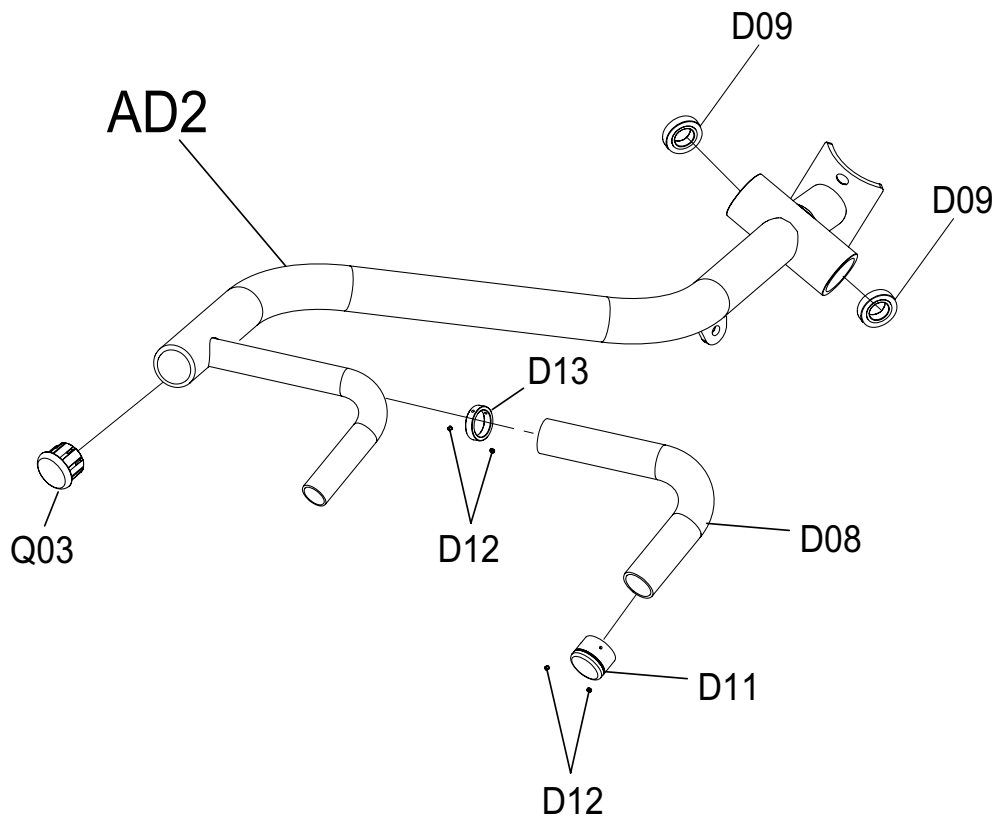
DRAWING NO			
PART NAME	USER FRAME SET		
PART NO	1000212406	REV	A
APPROVE	JEFFREY	DATE	02/24/11



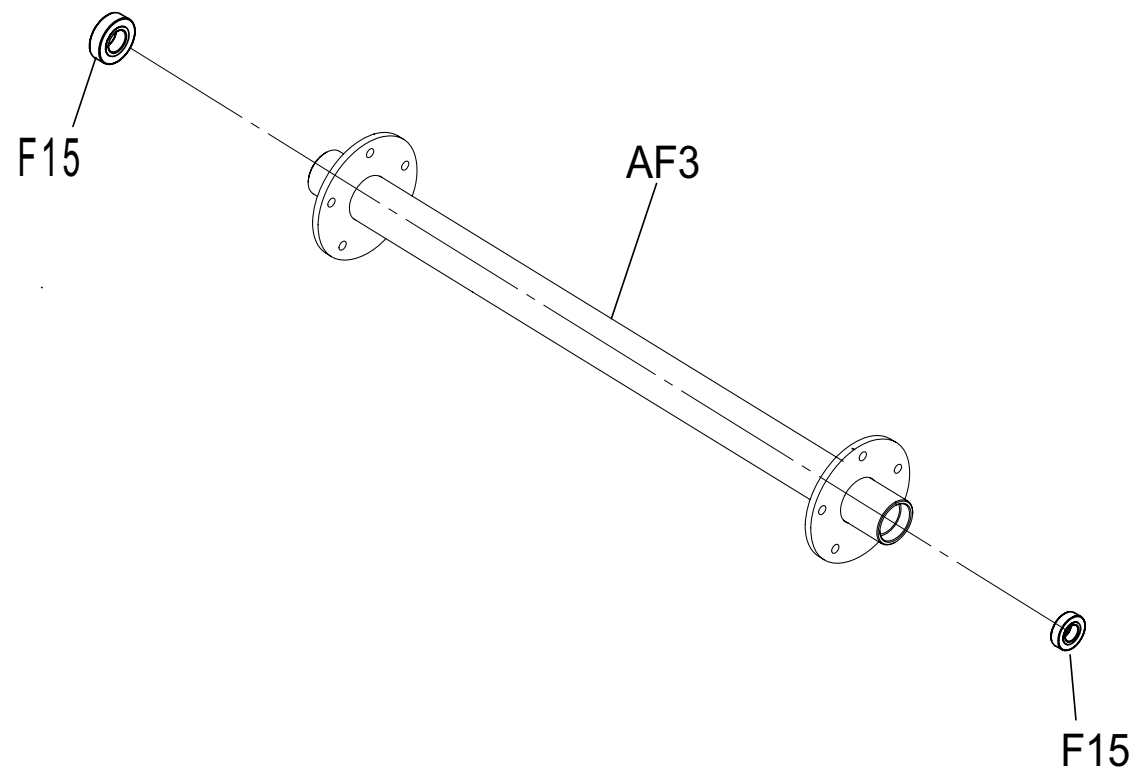
DRAWING NO			
PART NAME	LEFT SWIVEL ARM SET		
PART NO	1000094066		
APPROVE	NICOLE	DATE	20101203



DRAWING NO			
PART NAME	RIGHT SWIVEL ARM SET		
PART NO	1000094067		
APPROVE	NICOLE	DATE	20101203



DRAWING NO			
PART NAME	CAM SET		
PART NO	1000094065		
APPROVE	NICOLE	DATE	20101203



DRAWING NO			
PART NAME	Weight plate Set Top		
PART NO	089336		
APPROVE	NICOLE	DATE	20101203

