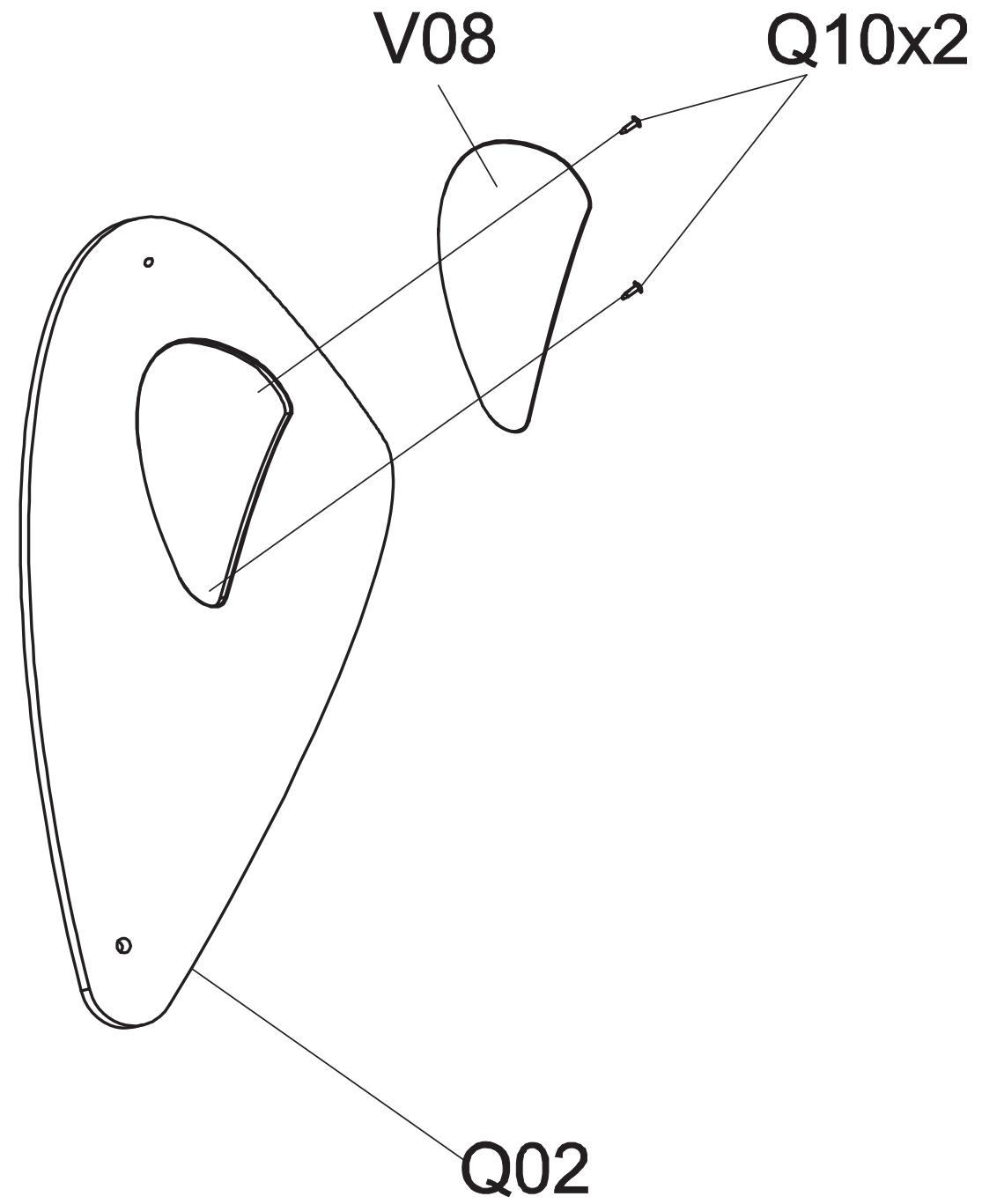
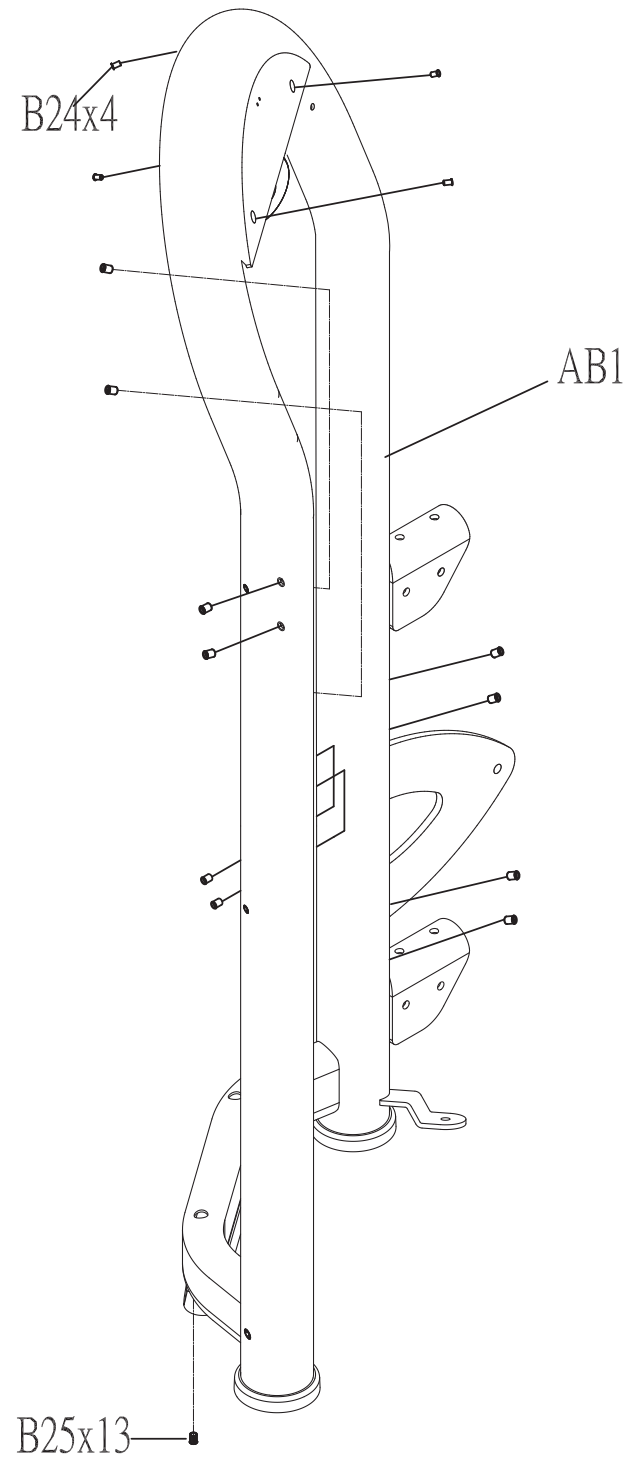


DRAWING NO			
PART NAME	COVER SET;GM11D-KM		
PART NO	1000338414	REV	A
APPROVE	KNIGHT	DATE	111214

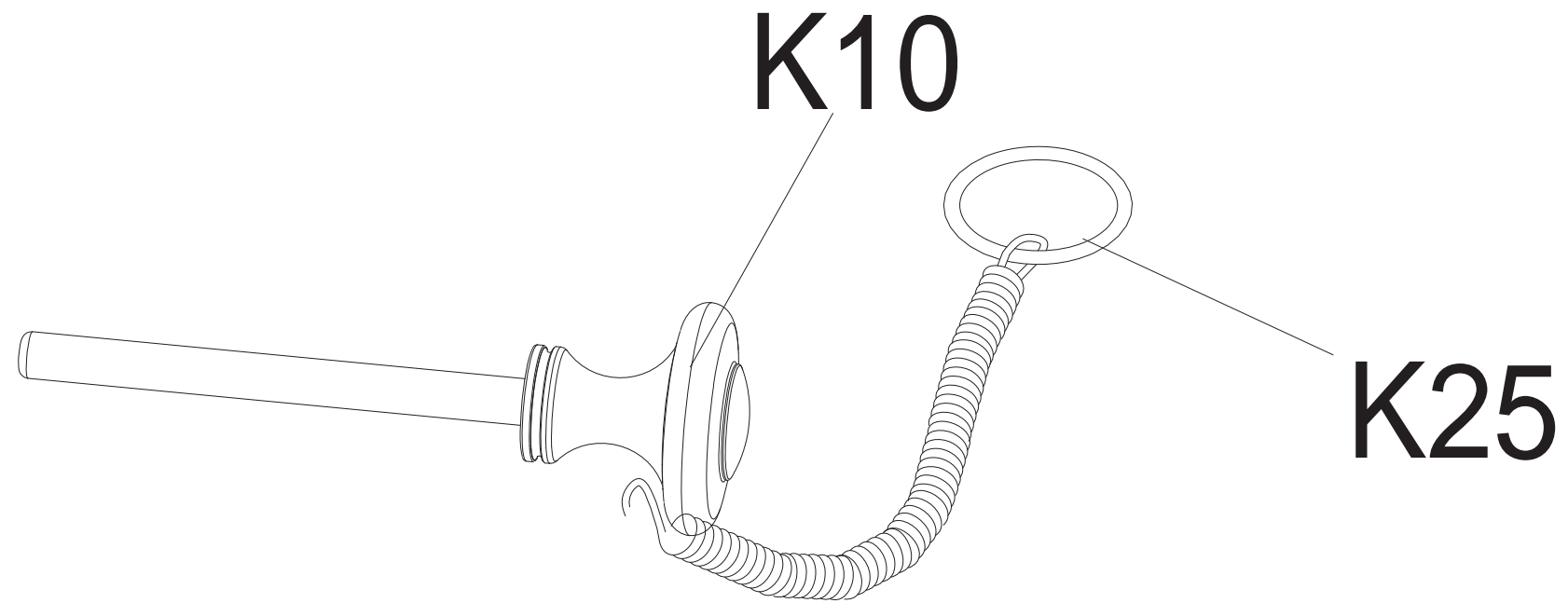


DRAWING NO			
PART NAME	Frame Set;GM27C;;Service		
PART NO	See chart	REV	A
APPROVE	Ares	DATE	07/15/14

Coulour	Part no.
Default	1000214915
Black Matte	1000320394
Iced Sliver	1000349219

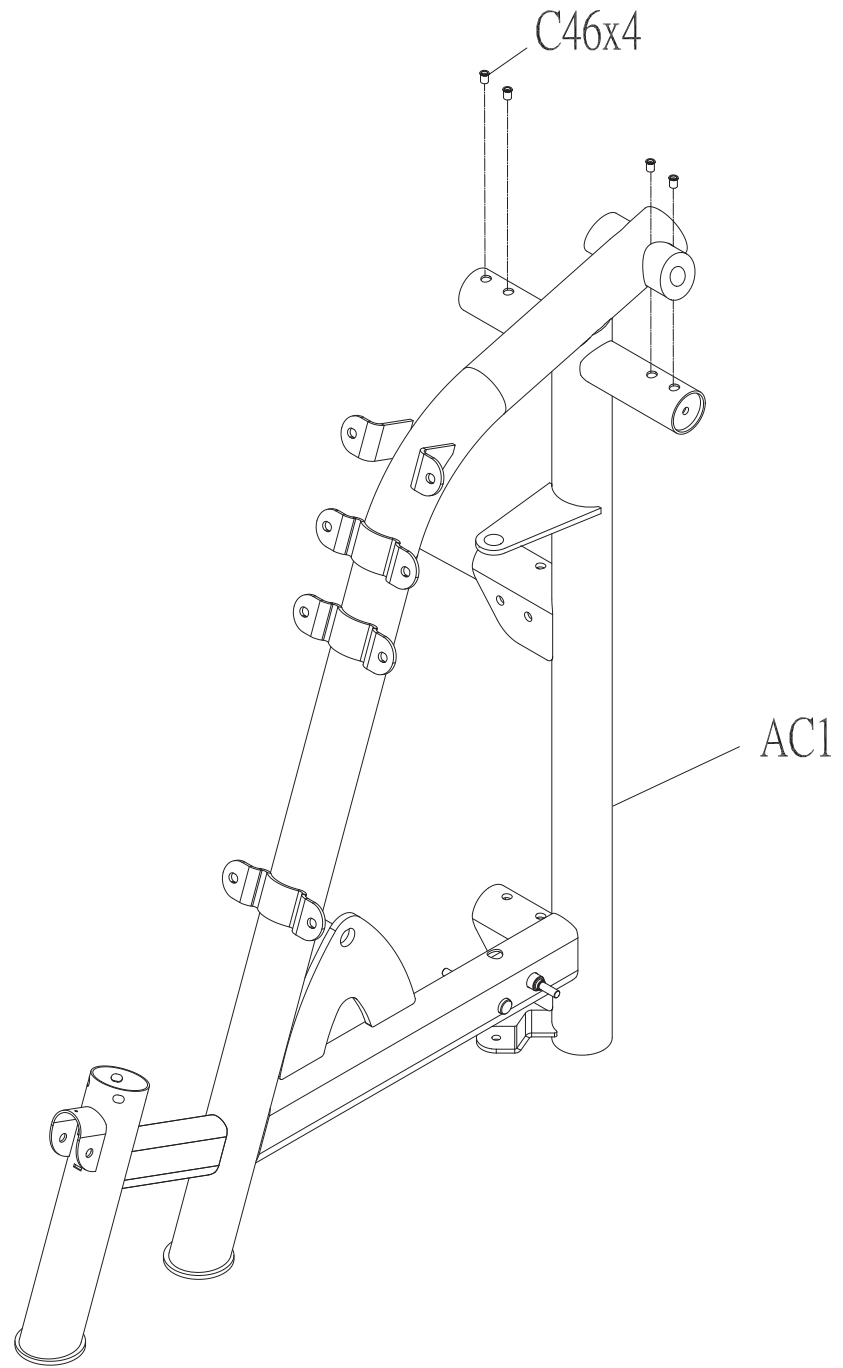


DRAWING NO			
PART NAME	ADJUST SET;SA;;;GM30C;SERVICE		
PART NO	1000212618	REV	A
APPROVE	Bonnie	DATE	20110126



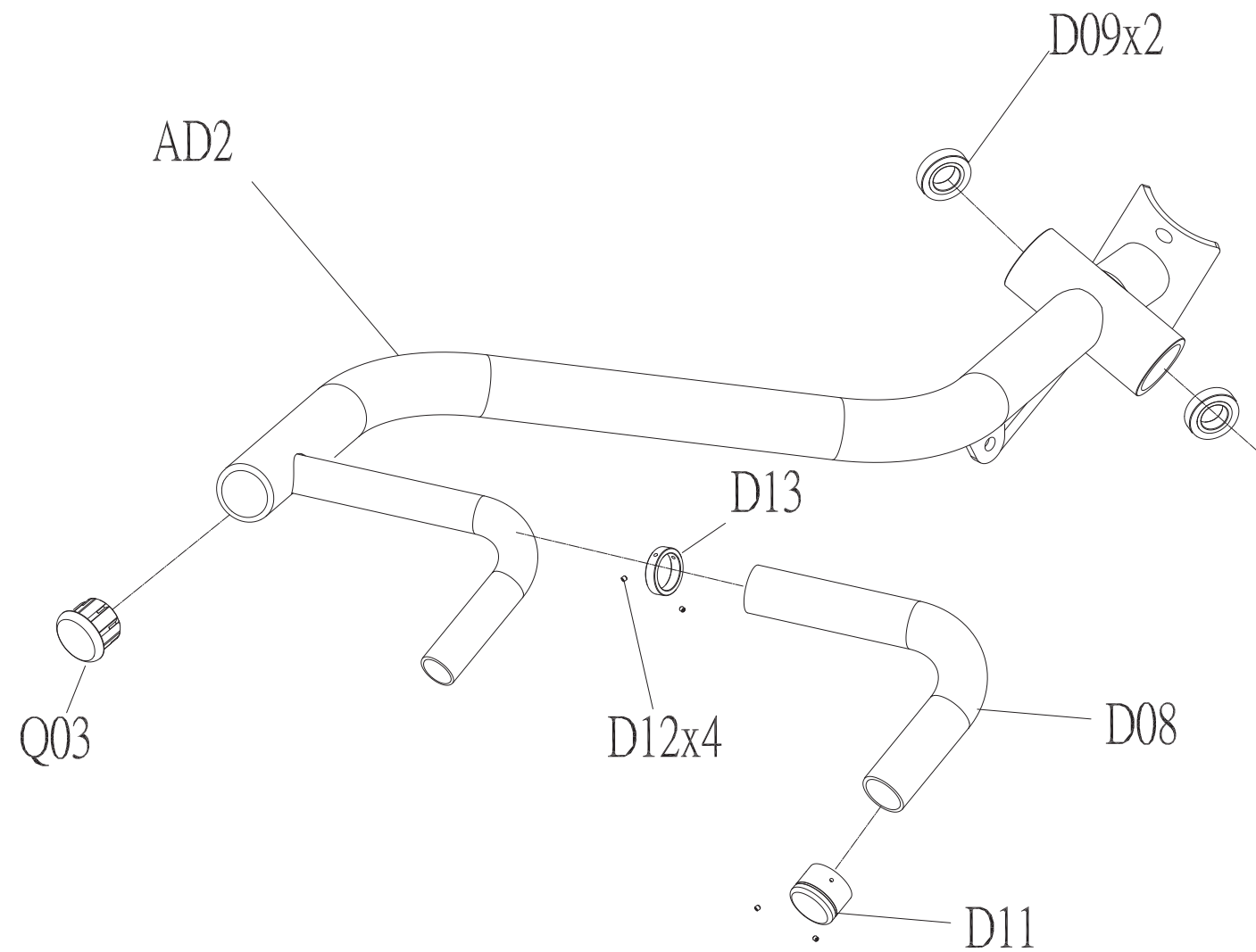
DRAWING NO			
PART NAME	Base Set;GM27C;;Service		
PART NO	See chart	REV	A
APPROVE	Ares	DATE	07/15/14

Coulour	Part no.
Default	1000212406
Black Matte	1000320395
Iced Sliver	1000349221



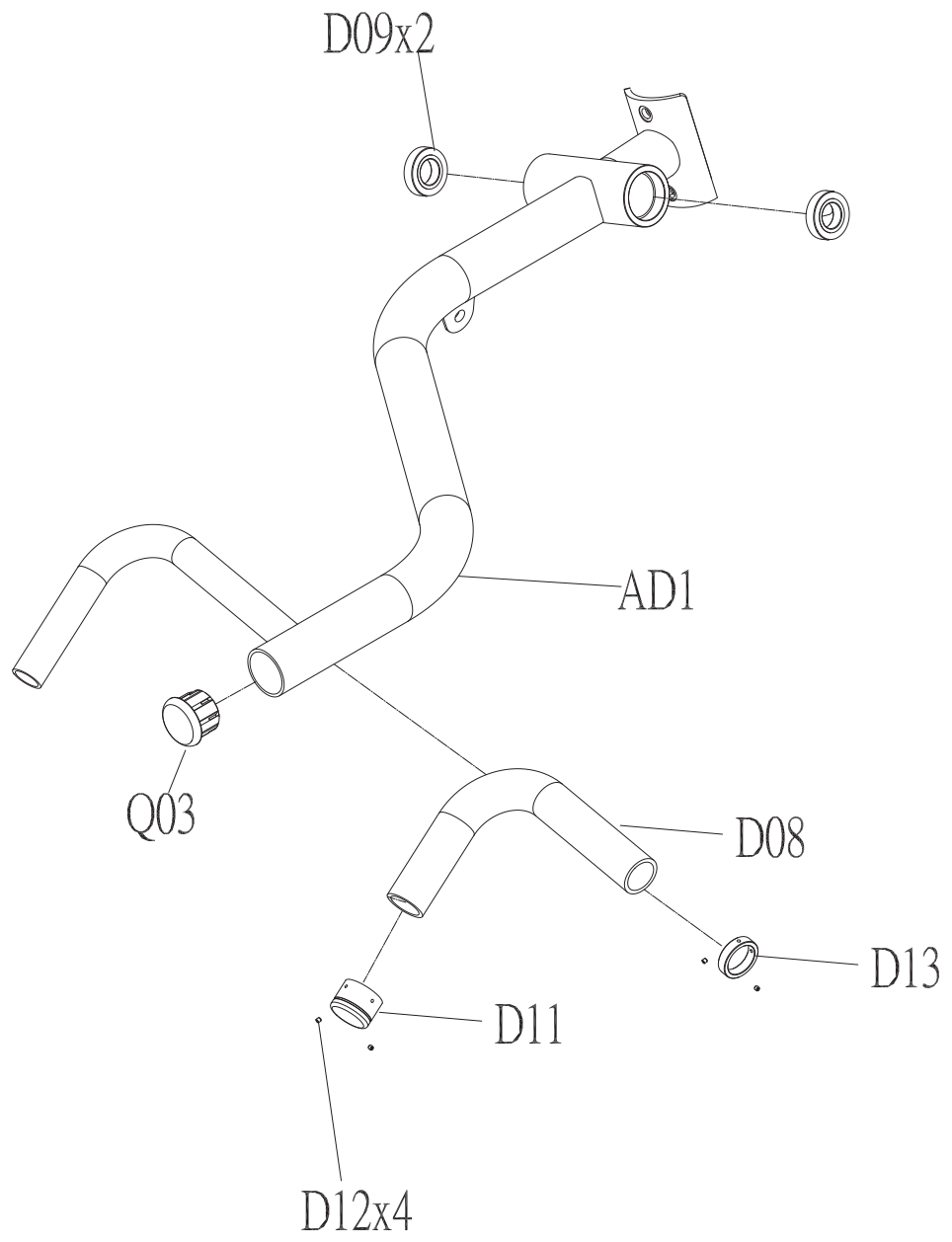
DRAWING NO			
PART NAME	Swivel arm set;;right;GM27C		
PART NO	See chart	REV	A
APPROVE	Ares	DATE	07/15/14

Coulour	Part no.
Default	1000094067
Black Matte	1000320397
Iced Sliver	1000349222



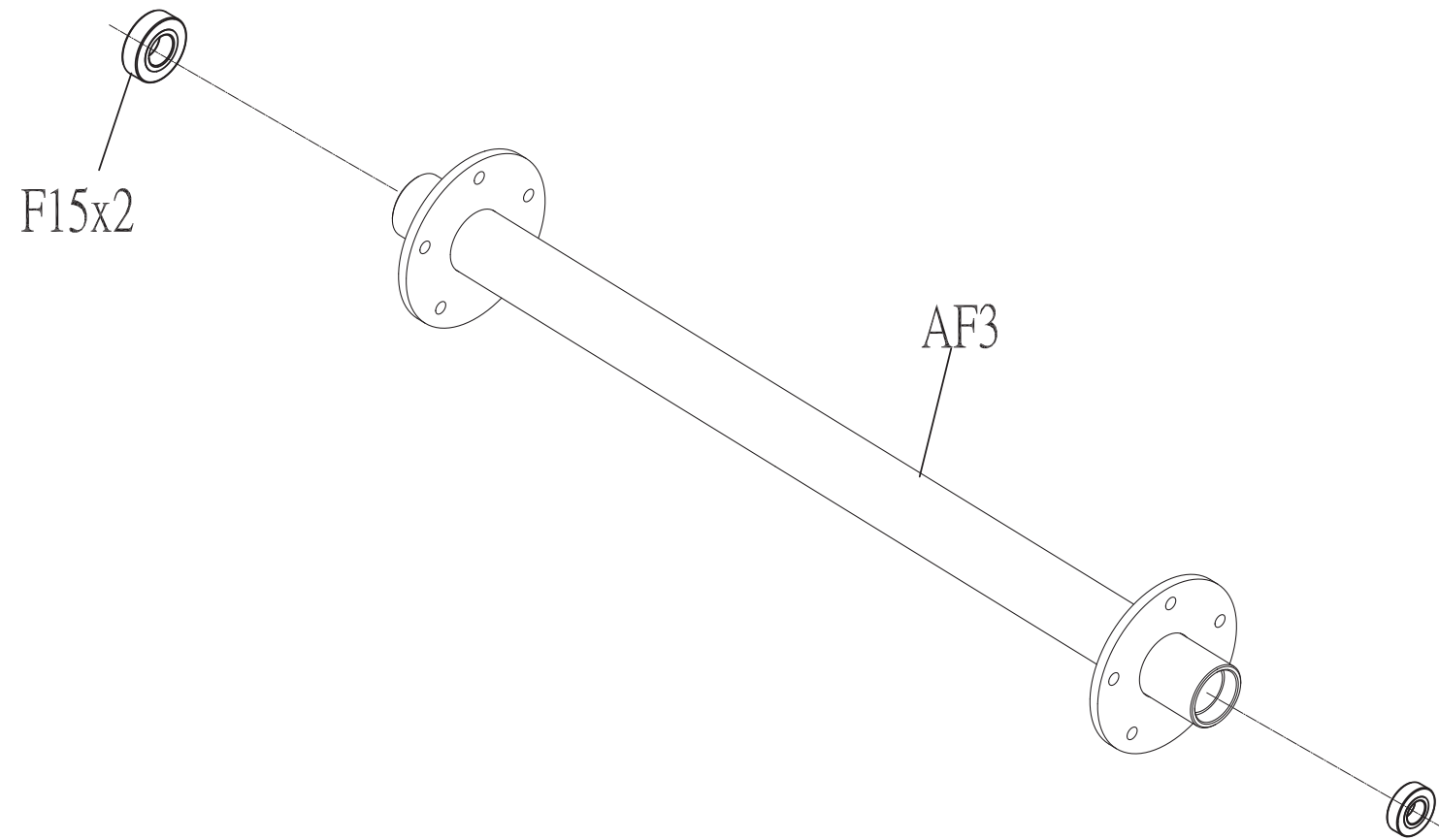
DRAWING NO			
PART NAME	Swivel arm set;left;GM27C;		
PART NO	See chart	REV	A
APPROVE	Ares	DATE	07/15/14

Coulour	Part no.
Default	1000094066
Black Matte	1000320396
Iced Sliver	1000349220

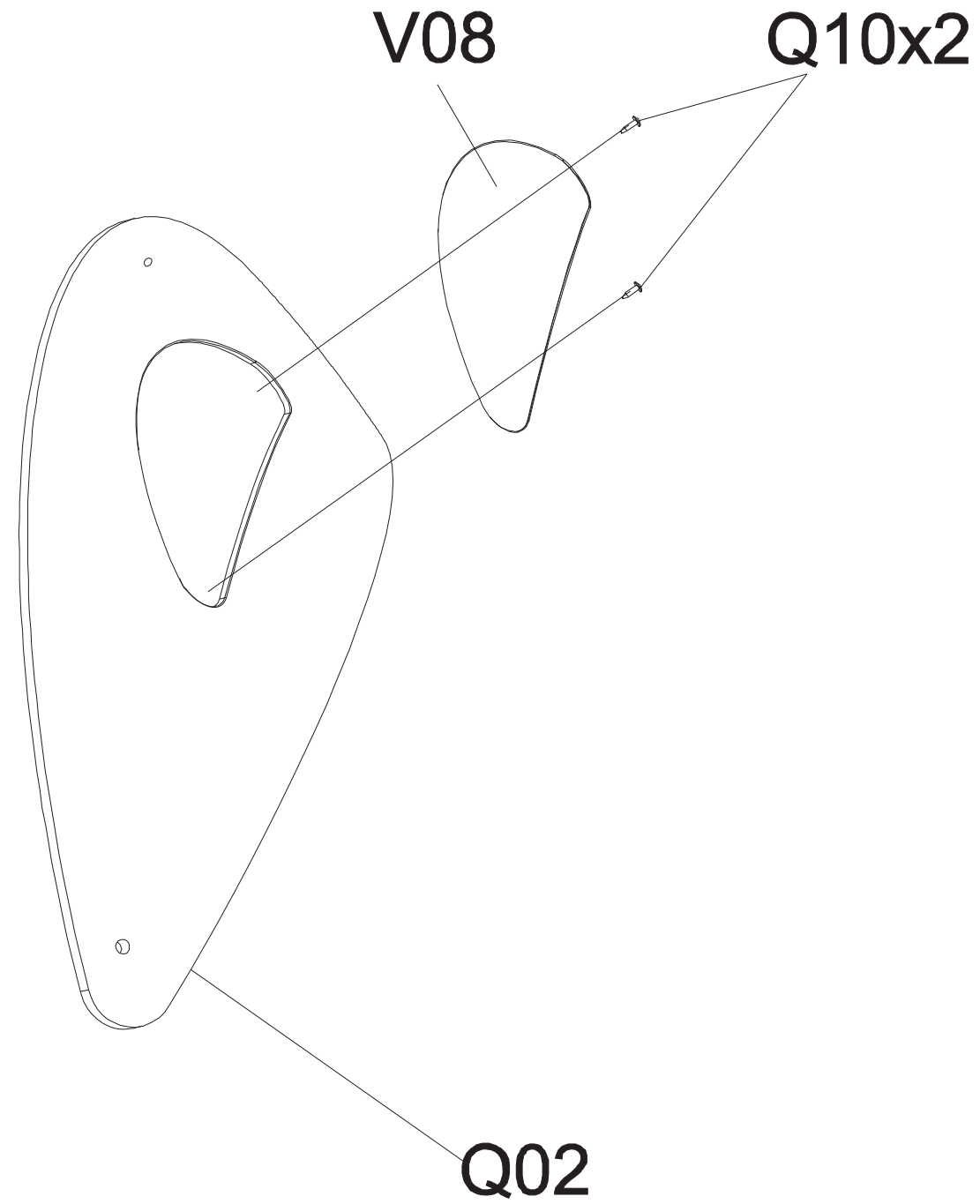


DRAWING NO			
PART NAME	CAM SET;GM27C;;Service		
PART NO	See chart	REV	A
APPROVE	Ares	DATE	07/15/14

Coulour	Part no.
Default	1000094065
Black Matte	1000320398
Iced Sliver	1000349223



DRAWING NO			
PART NAME	COVER SET;GM11D-KM		
PART NO	085775	REV	A
APPROVE	KNIGHT	DATE	111214



DRAWING NO			
PART NAME	COVER SET;GM11D-KM		
PART NO	085728	REV	A
APPROVE	KNIGHT	DATE	111214

