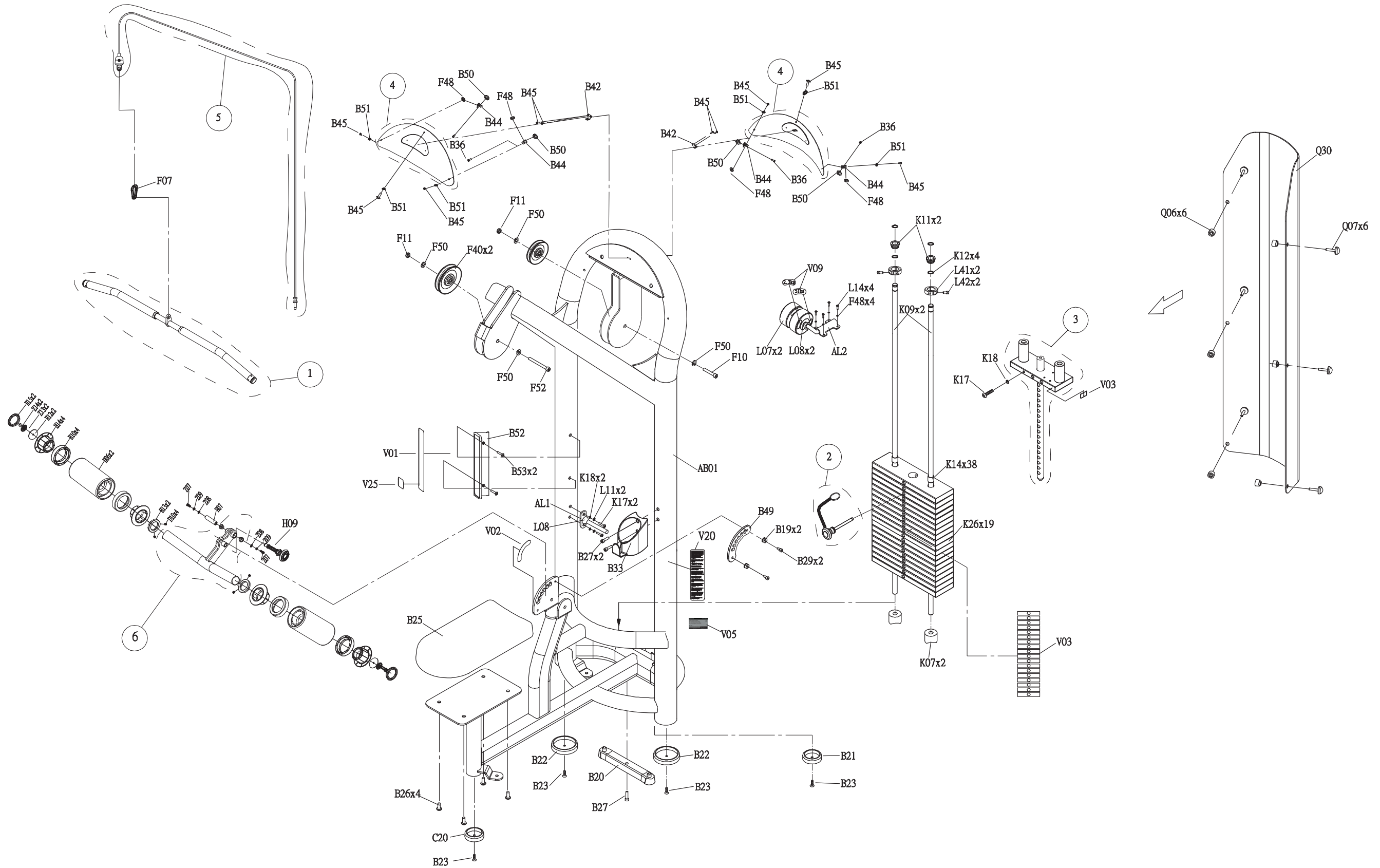
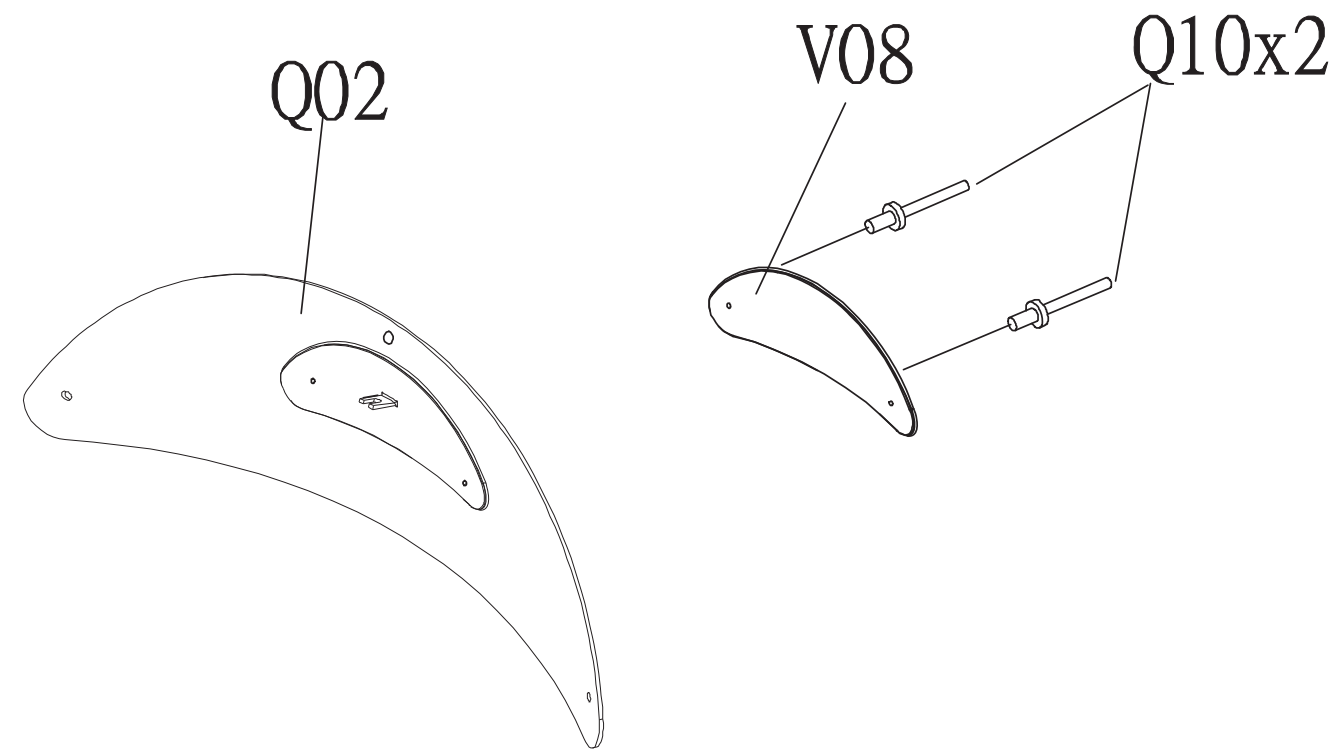


DRAWING NO	PG3GM01E-KM
PART NAME	Explosive Diagram
PART NO	MGM0594-00
APPROVE	Taoyongchun
DATE	2019.12.07
REV	A

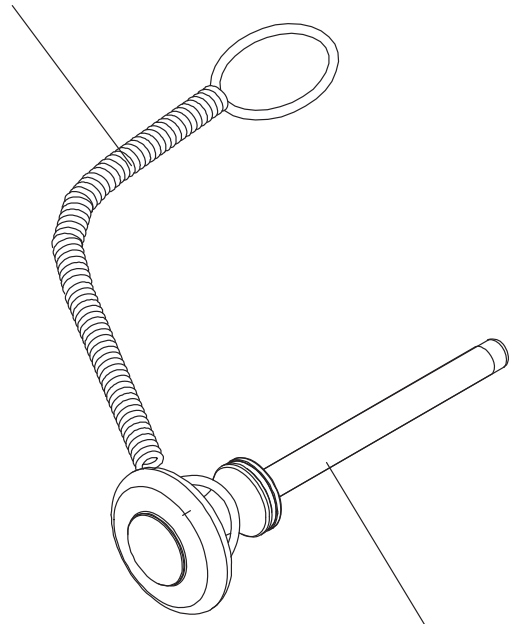


DRAWING NO	GM01E-AQ02		
PART NAME	COVER SET;MATRIX		
PART NO	085728	REV	A
APPROVE	Zhouping	DATE	2016.11.22



DRAWING NO	GM30C-SF01		
PART NAME	Adjust Set;Sa;GM30C;Service		
PART NO	1000212618	REV	A
APPROVE	Zhouping	DATE	2016.11.15

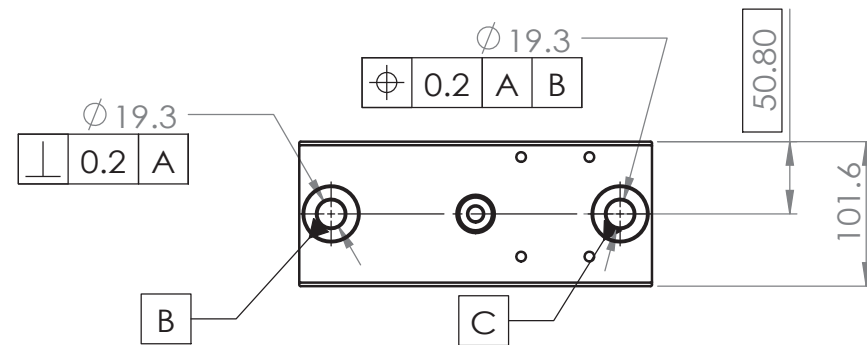
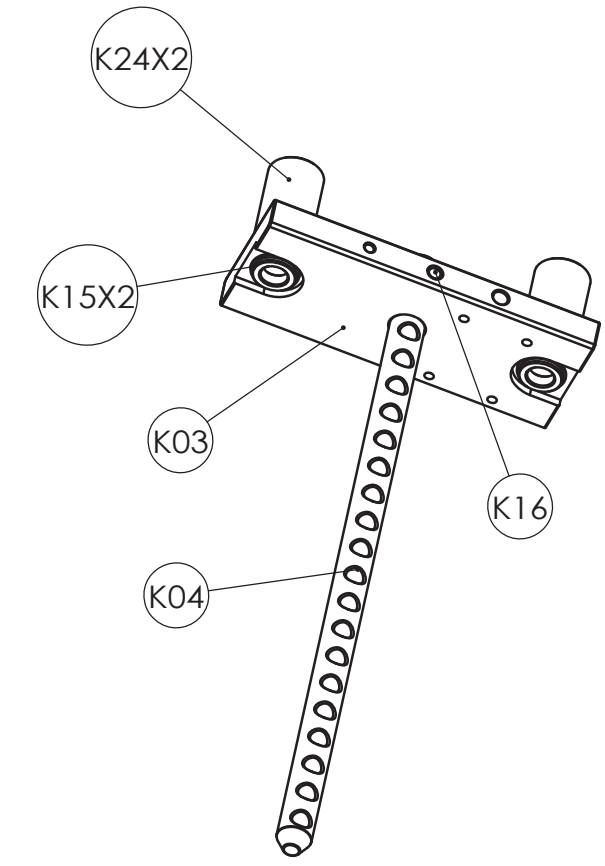
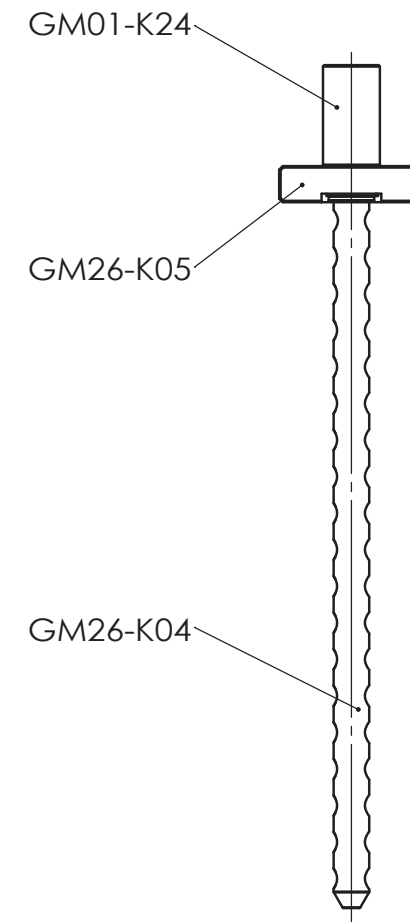
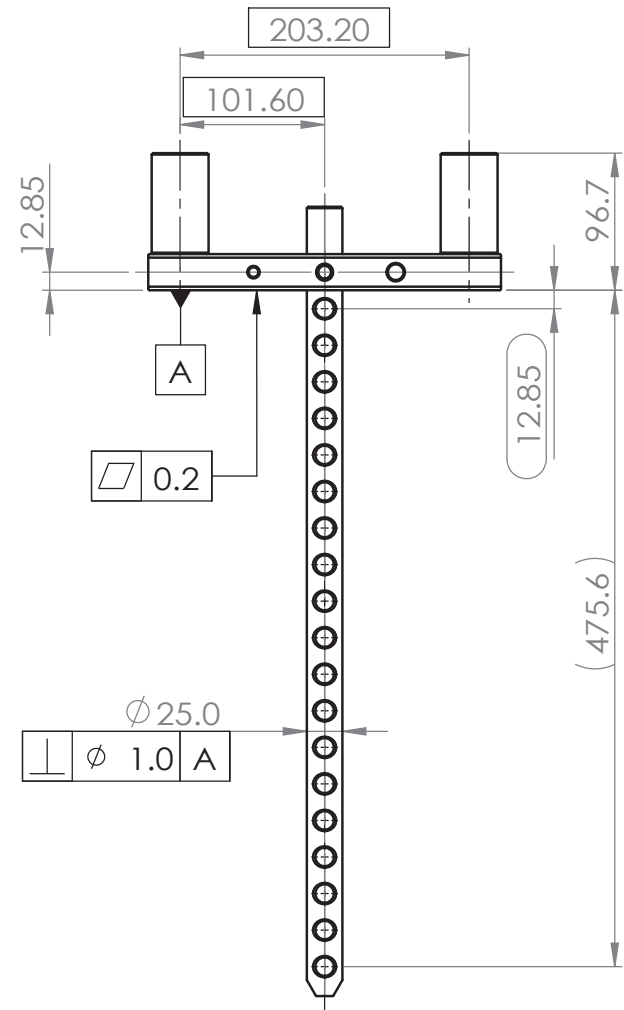
K25



K10

UNLESS OTHERWISE SPECIFIED TOLERANCES ARE:

LENGTH		ANGLE	
X.	±1.5	X.	±1°
X.X	±0.5	X.X	±0.5°
X.XX	±0.20	X.XX	±0.10°
X.XXX	±0.100		



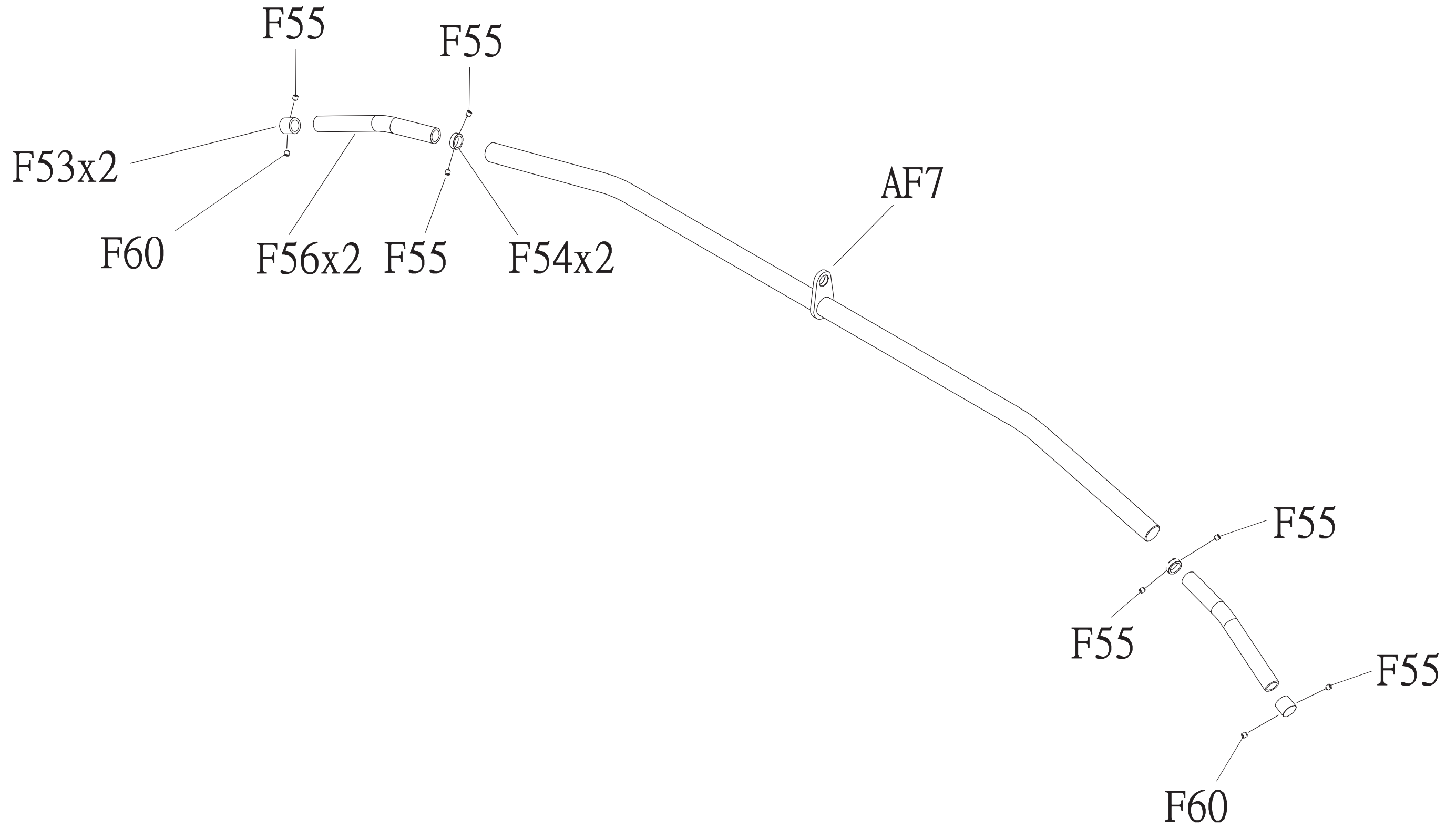
備註:
 1. 所有尺寸為最終尺寸;
 2. 此為外觀件, 須依喬山標準檢驗.

Notes:
 1. All dimension is coated dimension;
 2. It's a parts that could be seen by user, should be made in accordance with JIS Inspection Standard.

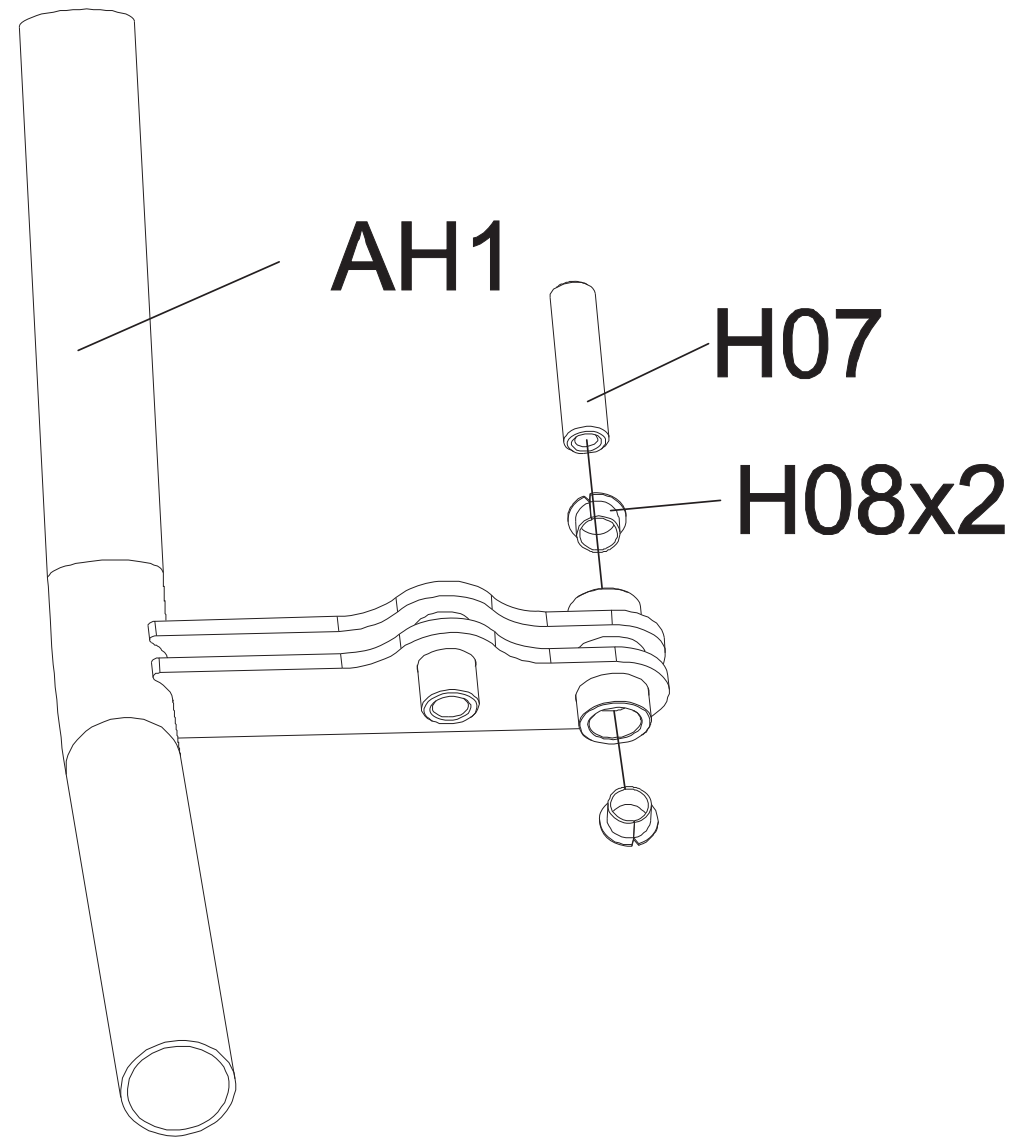
△							
△							
△							
△							
A	13050199	RELEASED FOR PRODUCTION	SPENCER	061013	ARES	060613	
LET 項目	ECO NO 設變單號	DESCRIPTION 修改內容	APPROVER 審核	DATE 日期	DESIGN 設計	DATE 日期	

UNIT 單位	mm	MODEL NO 機種	LAT PULL DOWN	WIP(PD)
SCALE 比例	1:10	DRAWING NO 圖號	GM26-AK10	
SHEET SIZE 圖紙大小	A3	PART NAME(CH) 零件名稱(中文)	上層選擇片組;加工	
		PART NAME(EN) 零件名稱(英文)	WEIGHT PLATESSET;EXTRAWORK	
		SAP PART NO SAP料號	1000318298	REV A
		喬山健康科技(台灣)有限公司 JOHNSON HEALTH TEC. (TAIWAN) CO.,LTD		
		喬山健康科技(上海)有限公司 JOHNSON HEALTH TEC. (SHANGHAI) CO.,LTD		○

DRAWING NO	GM01B-SF01		
PART NAME	Handle set;Semi-Assy		
PART NO	1000355590	REV	A
APPROVE	Daiyijun	DATE	2020.04.13

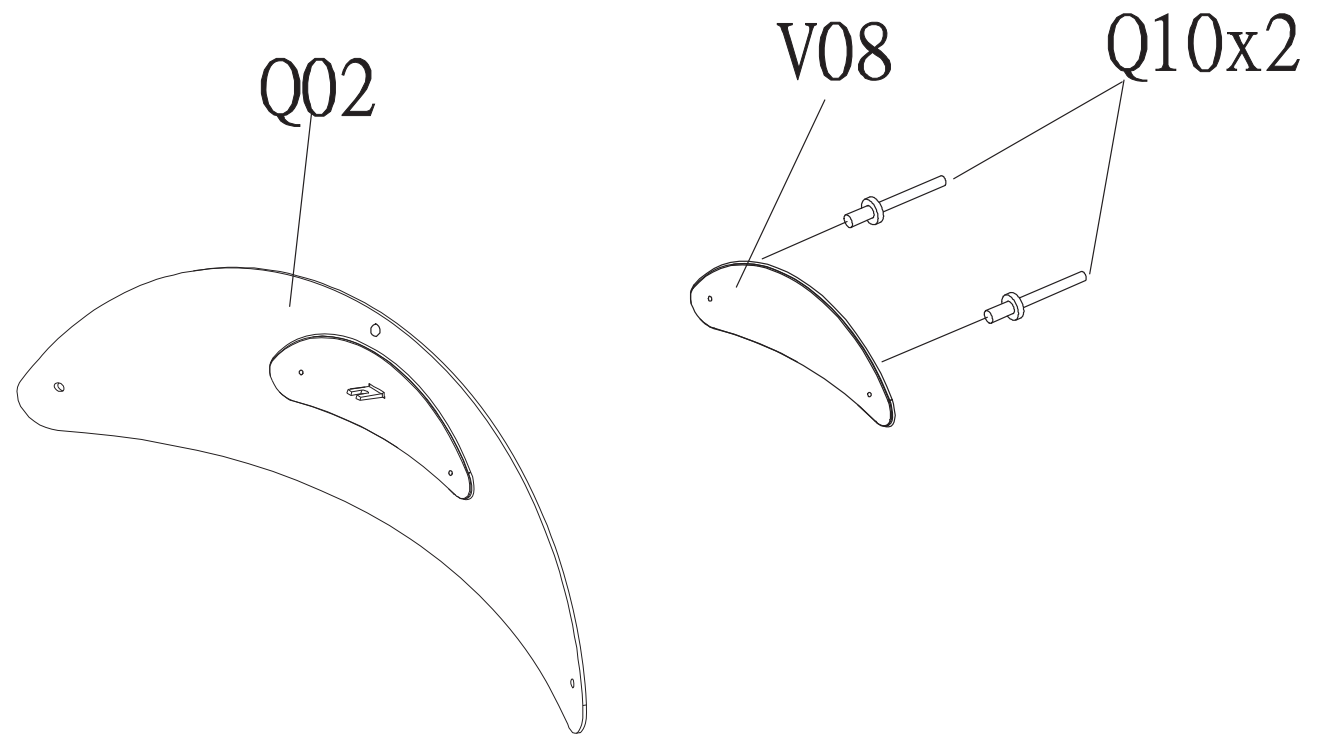


DRAWING NO	PL08B-SF05		
PART NAME	Adjust set;Semi-Assy;		
PART NO	SEE CHART	REV	B
APPROVE	Sam	DATE	02.25.2020



PART NO	Painting Color
1000360737	Iced Sliver
1000360739	Platinum
1000360740	Polarrized Titanium
1000360742	lace White
1000360738	Black Matte
1000360741	Black Glossy
1000440339	PF Yellow
1000439026	PF Purple
1000439028	O-PF Purple
1000449234	Blue PT300C

DRAWING NO	GM01E-AQ01		
PART NAME	COVER SET;GM01E-KM		
PART NO	1000390203	REV	A
APPROVE	Zhouping	DATE	2016.11.15



DRAWING NO	GM01E-SF05		
PART NAME	Steel Rope Set; Φ 6.0x2247L;GM01E;		
PART NO	1000446648	REV	A
APPROVE	Taoyongchun	DATE	2020.05.28

