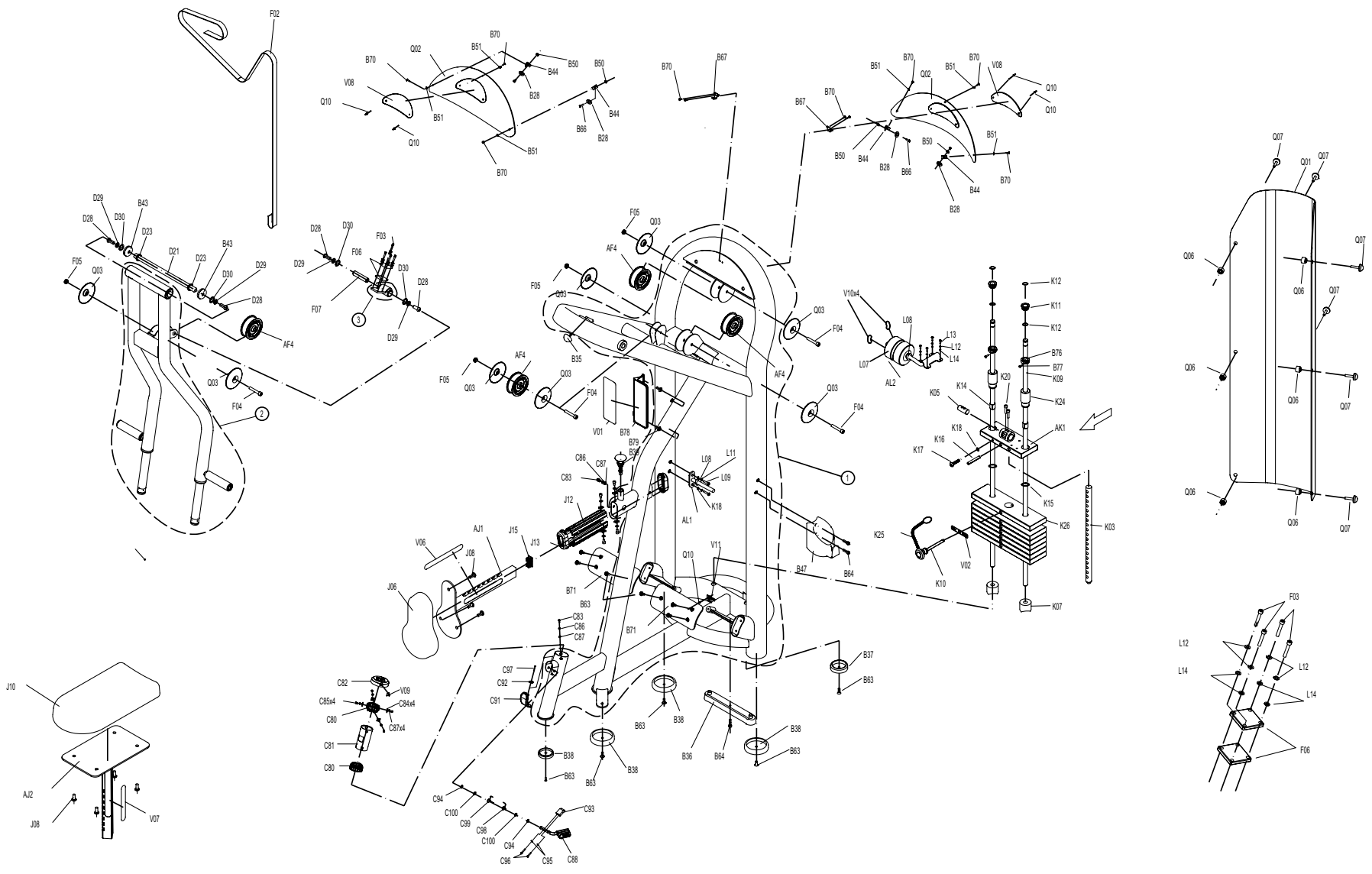


DRAWING NO	GM20C-A03		
PART NAME	GM20C-KM		
PART NO	MGM0392-00	REV	A
APPROVE	JEFFREY	DATE	02/24/11



ENG NO			
NAME	FRAME SET		
NO	1000211151	REV	A
APPROVE	JEFFREY	DATE	02/24/11

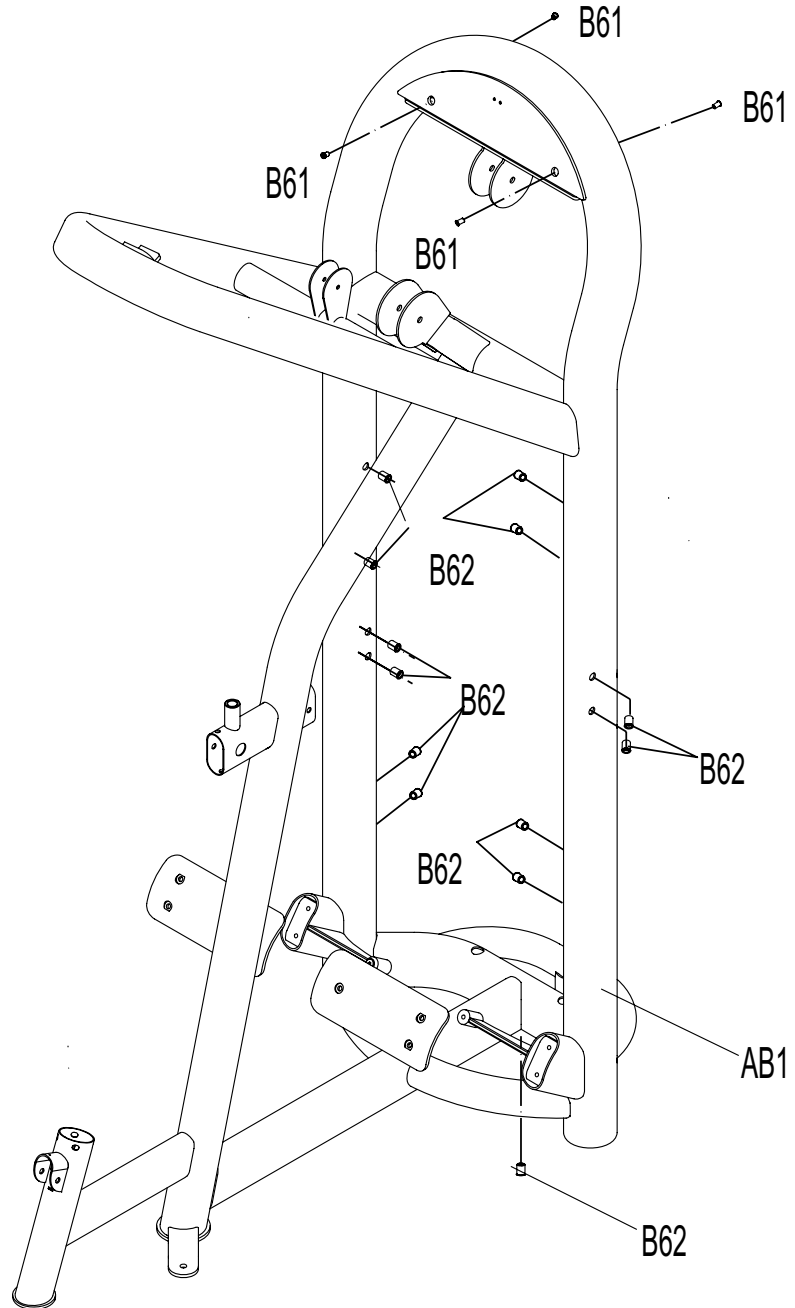
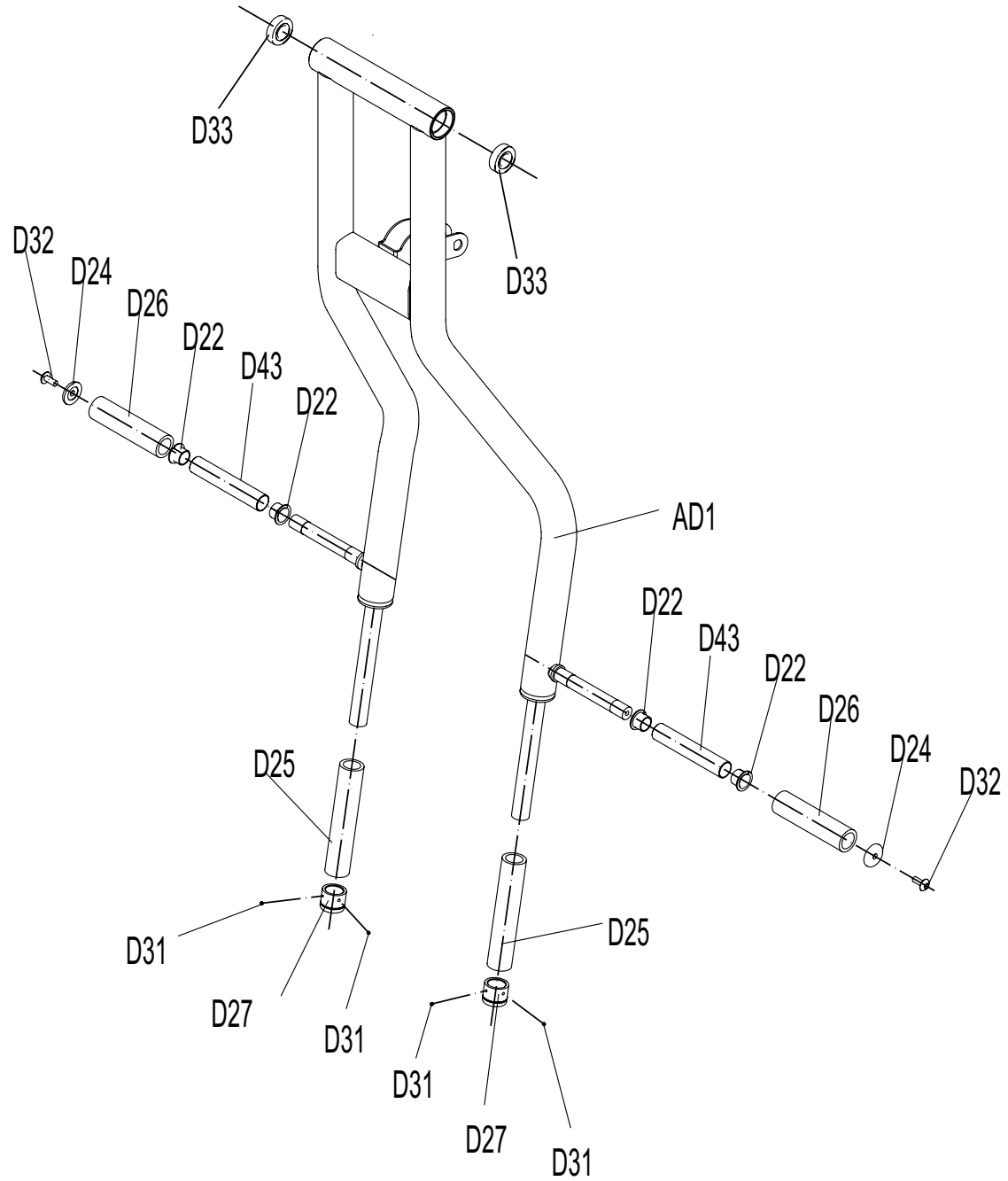
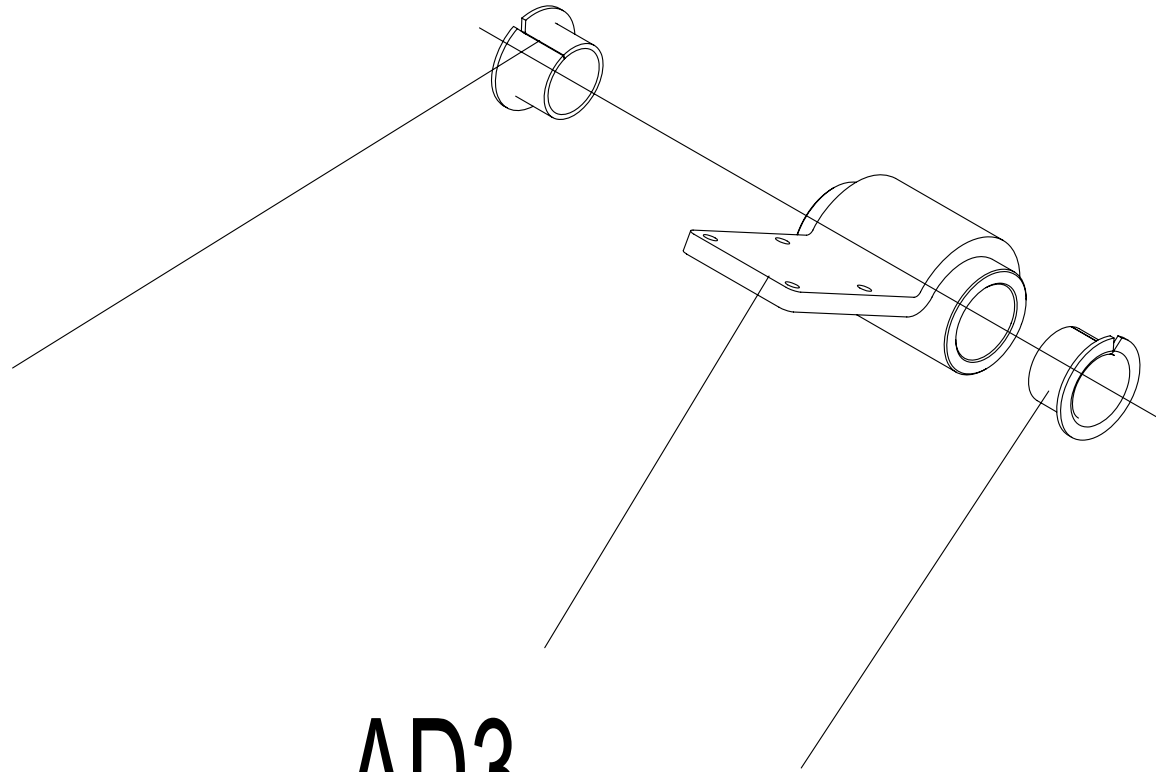


FIG NO			
NAME	PEDAL ARM SET		
FIG NO	1000211399	REV	A
APPROVE	JEFFREY	DATE	02/24/11



ING NO			
NAME	FIX SET		
NO	1000211400	REV	A
ROVE	JEFFREY	DATE	02/24/11

D22



AD3

D22