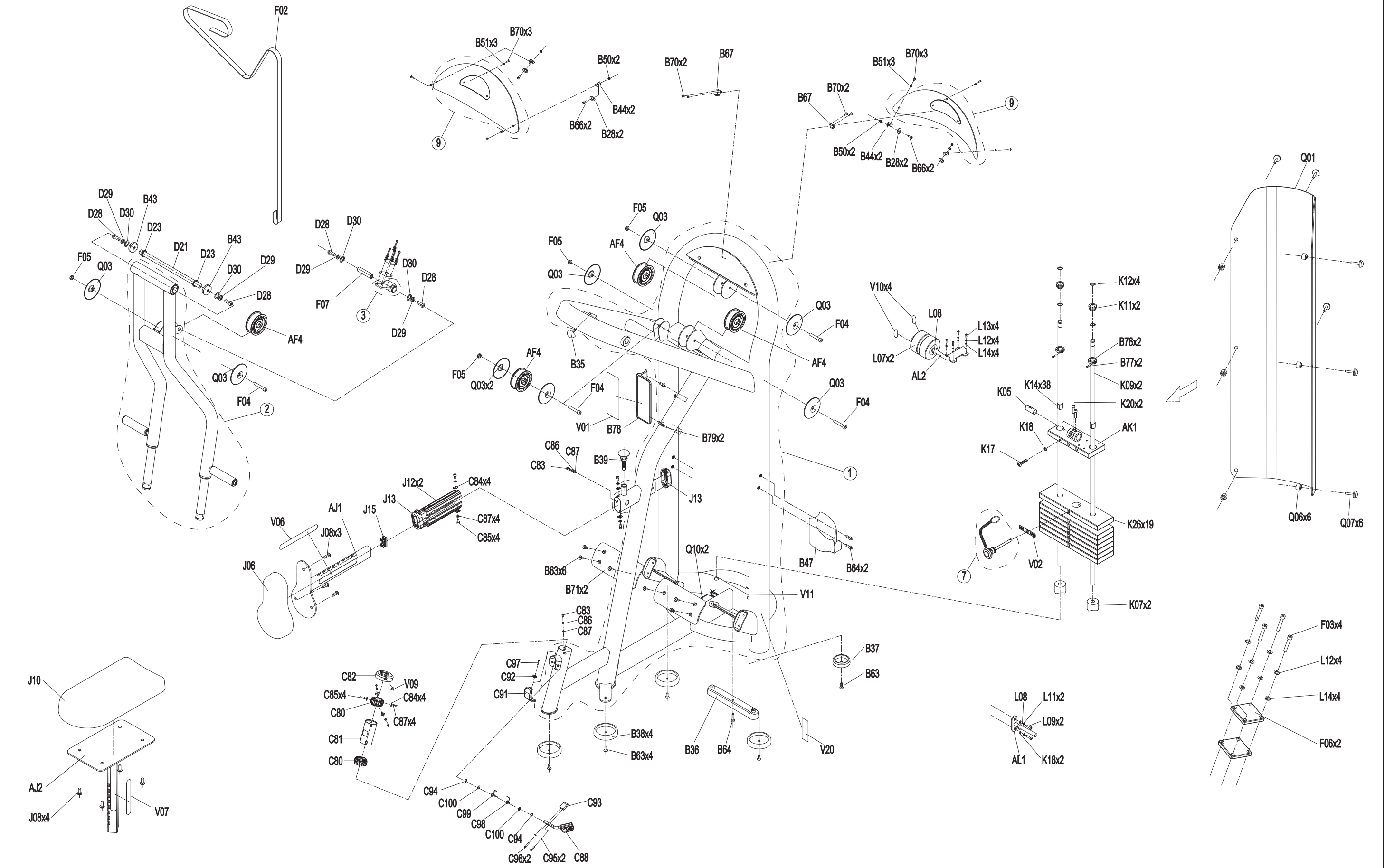
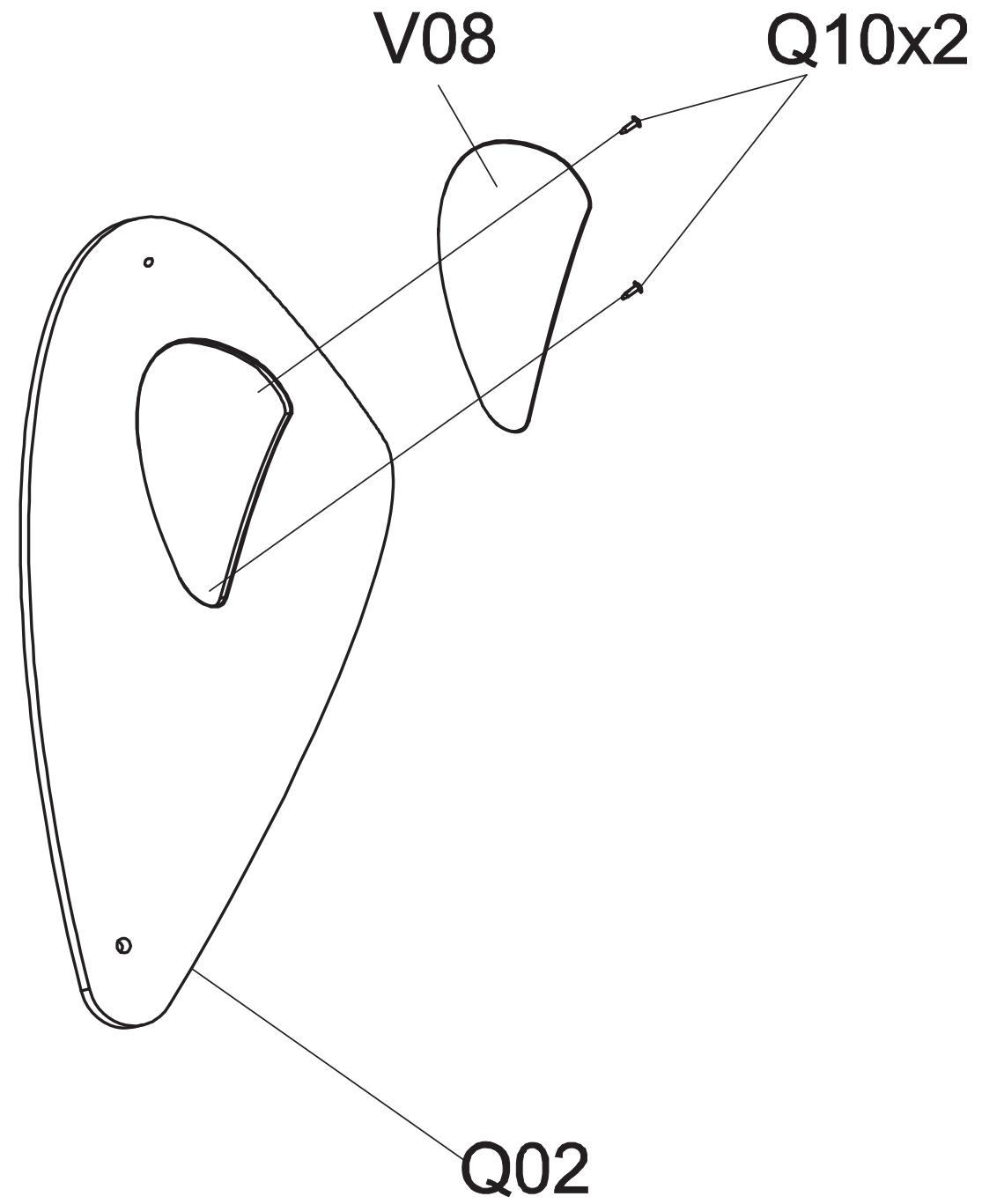


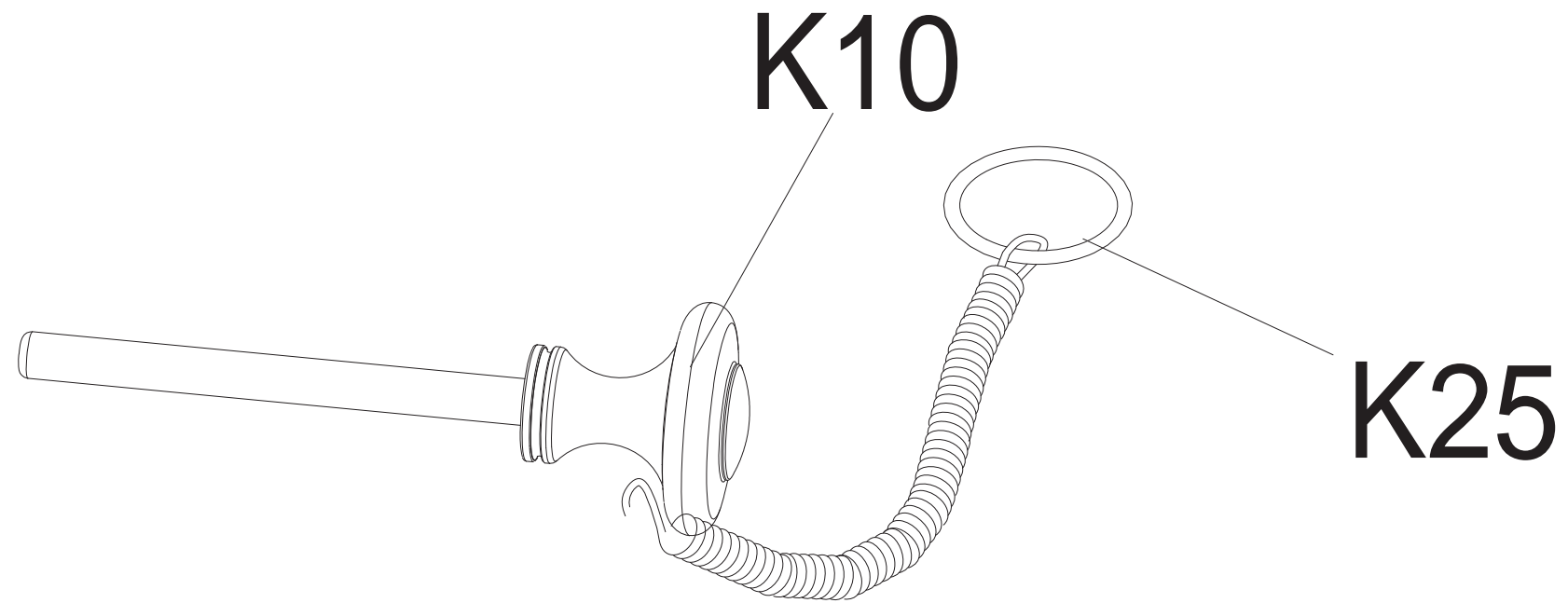
DRAWING NO	GM20C-A03
PART NAME	EXPLODED_VIEW;SEMI-ASSY
PART NO	MGM0392-001B
APPROVE	DENNY DATE 03052014



DRAWING NO			
PART NAME	COVER SET;GM11D-KM		
PART NO	1000338414	REV	A
APPROVE	KNIGHT	DATE	111214

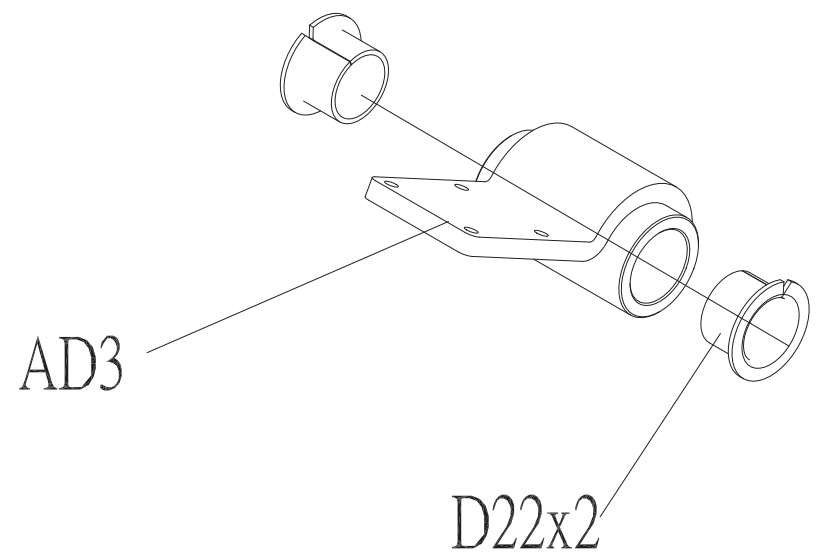


DRAWING NO			
PART NAME	ADJUST SET;SA;;;GM30C;SERVICE		
PART NO	1000212618	REV	A
APPROVE	Bonnie	DATE	20110126



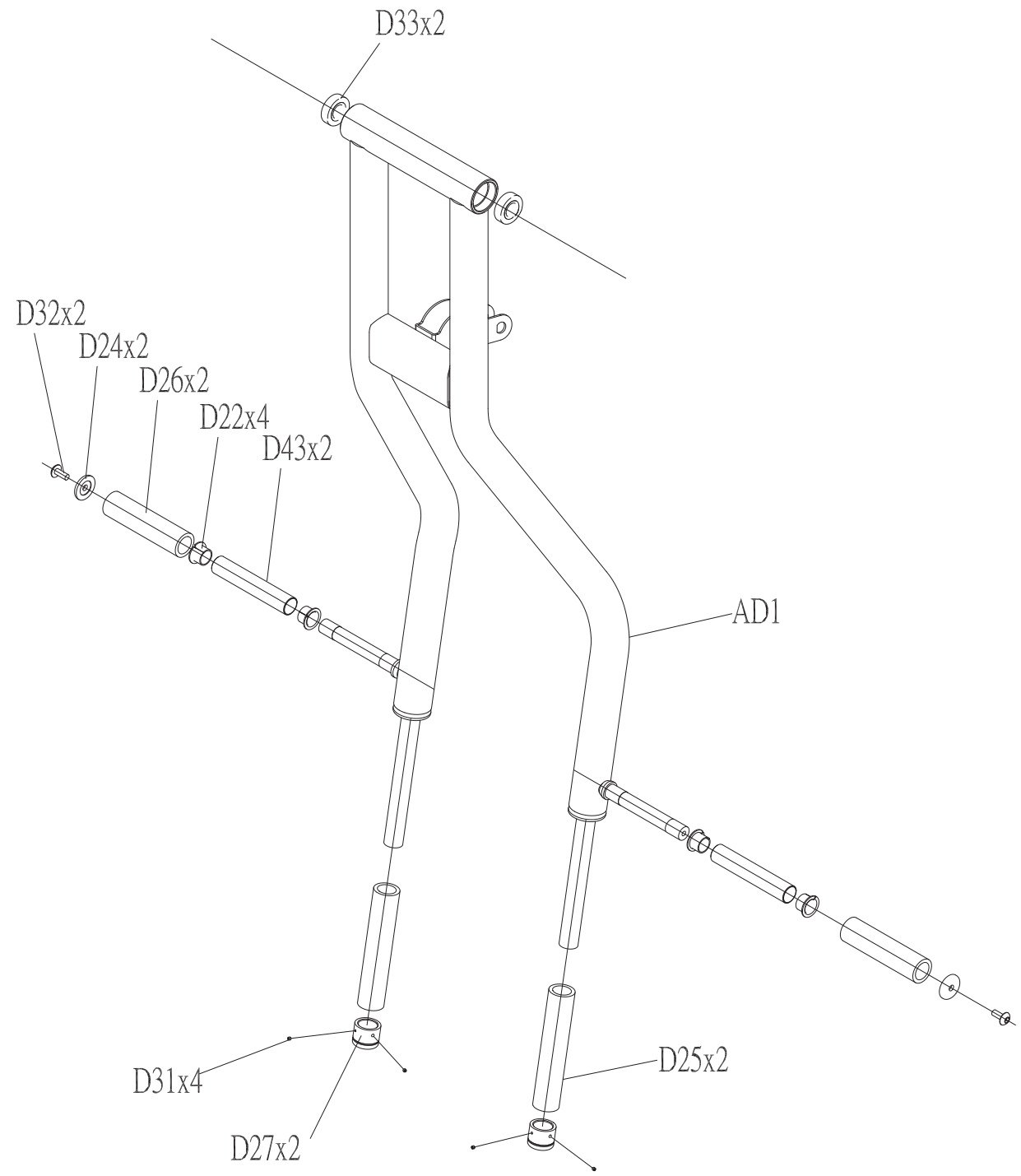
DRAWING NO			
PART NAME	Fixed chipset;GM20CKM-G3;		
PART NO	See chart	REV	A
APPROVE	Ares	DATE	07/16/14

Coulour	Part no.
Default	1000211400
Black Matte	1000320228
Iced Sliver	1000349228



DRAWING NO			
PART NAME	Swivel arm set;GM20CKM-G3		
PART NO	See chart	REV	A
APPROVE	Ares	DATE	07/16/14

Coulour	Part no.
Default	1000211399
Black Matte	1000320227
Iced Sliver	1000349227



DRAWING NO			
PART NAME	Frame Set;GM20CKM-G3		
PART NO	See chart	REV	A
APPROVE	Ares	DATE	07/16/14

Coulour	Part no.
Default	1000211151
Black Matte	1000320226
Iced Sliver	1000349226

