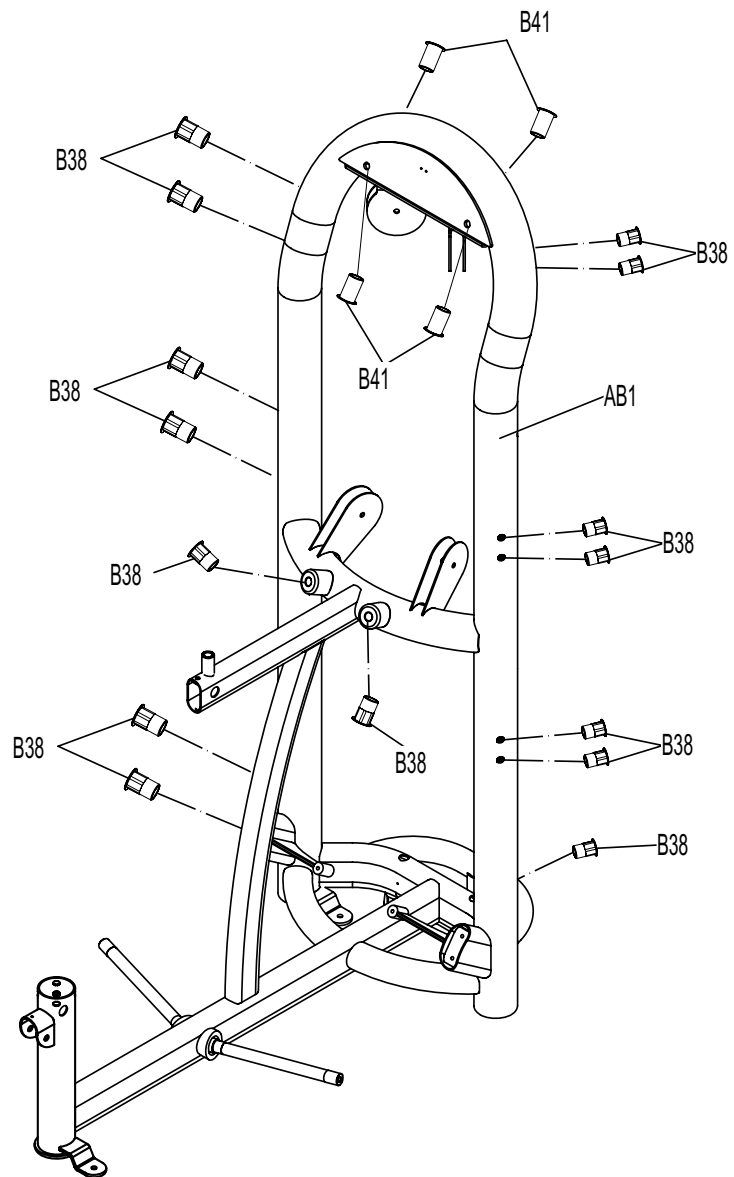
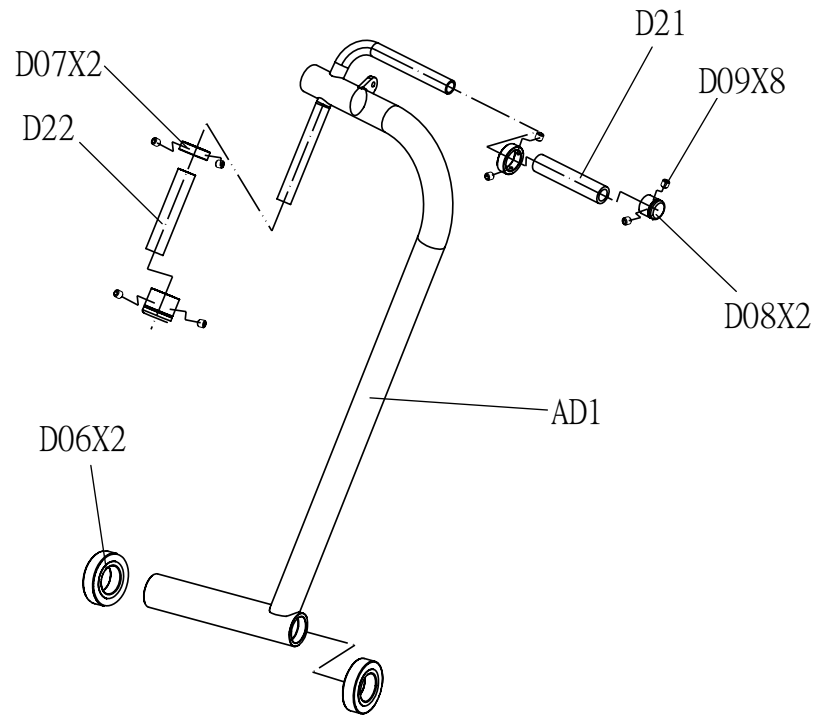


DRAWING NO			
PART NAME	MAIN FRAME SET		
PART NO	1000212918	REV	A
APPROVE	JEFFREY	DATE	02/25/11



DRAWING NO			
PART NAME	RIGHT SWIVEL ARM SET		
PART NO	1000092795		
APPROVE	Liuxd	DATE	12/20

REV
A



DRAWING NO					
PART NAME	LEFT SWIVEL ARM SET				
PART NO	1000092794				
APPROVE	Liuxd	DATE	12/20	REV	A

