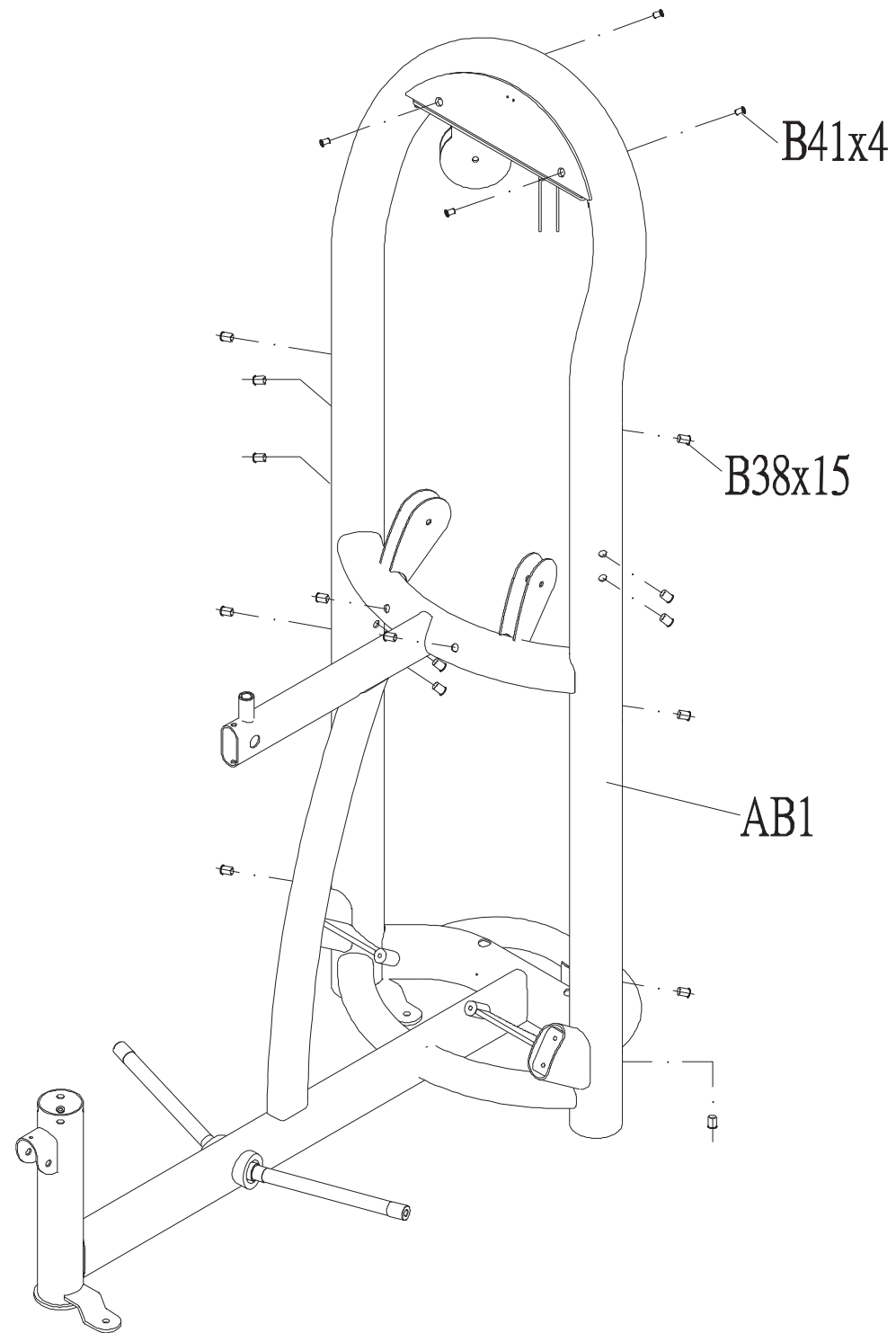




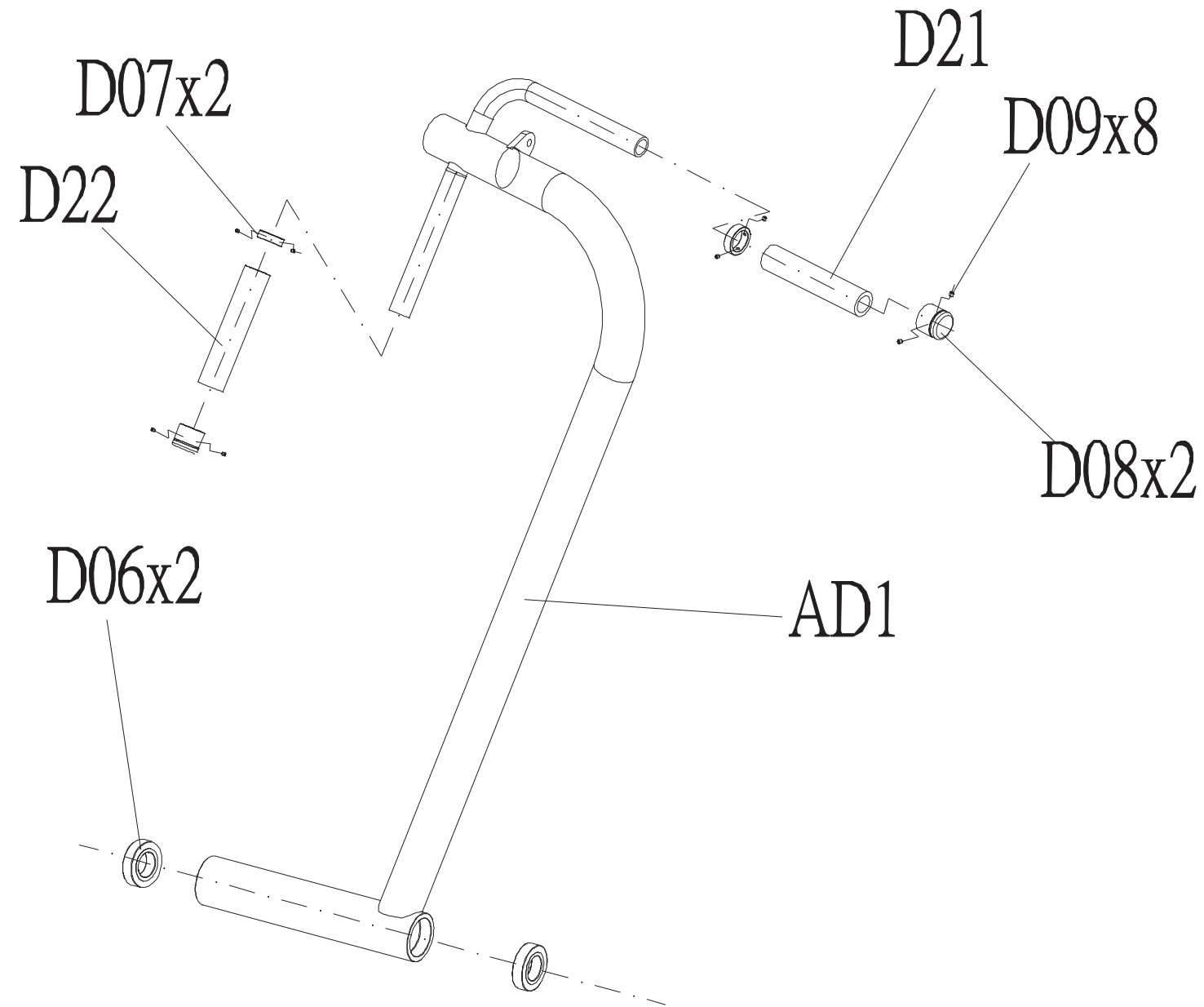
DRAWING NO			
PART NAME	Frame Set;GM28		
PART NO	SEE CHART	REV	A
APPROVE	ARES	DATE	2015/01/20

COLOR	PART NO.
DEFAULT	1000212918
BLACK MATTE	1000320402
ICED SLIVER	1000349233



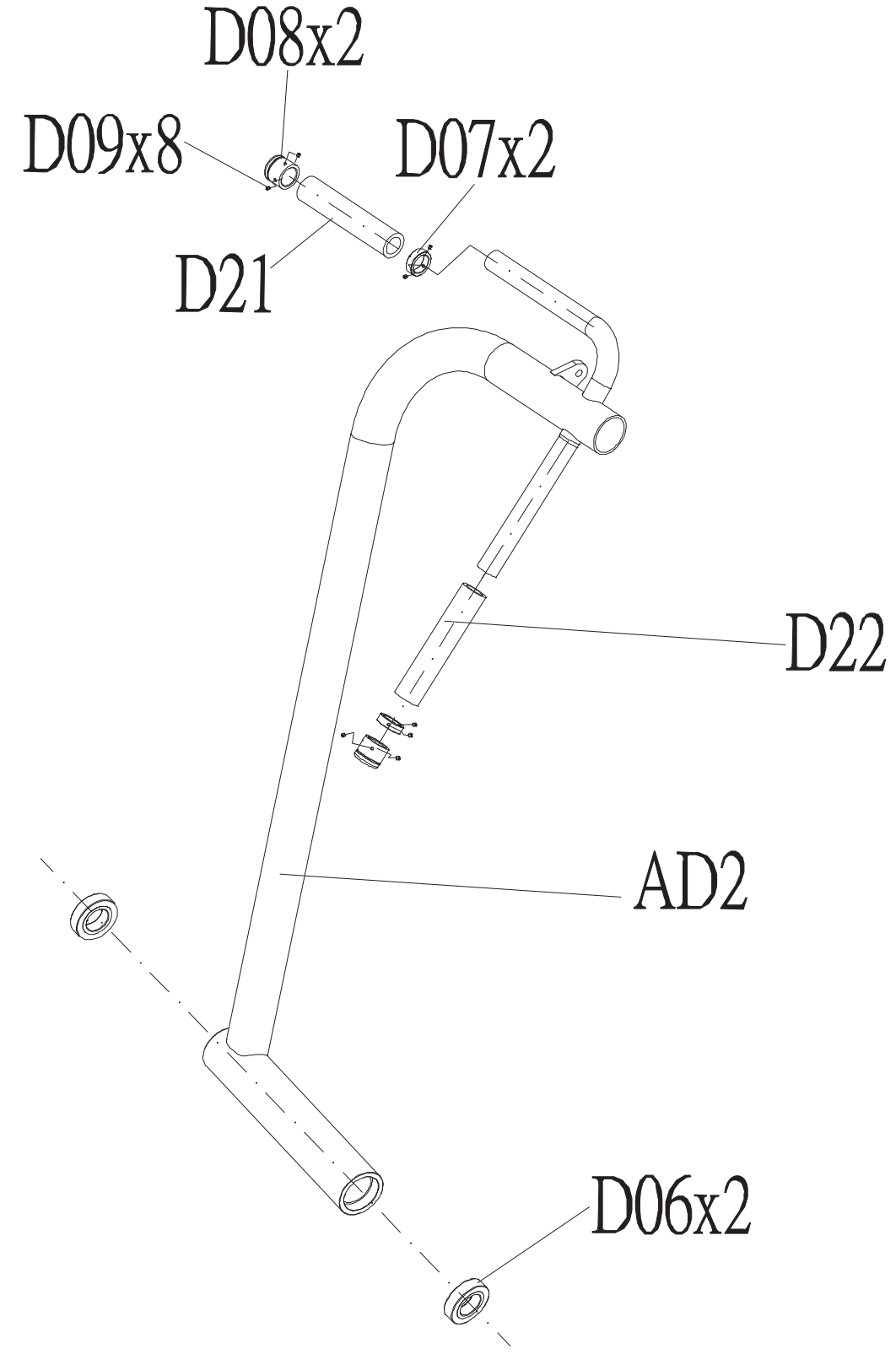
DRAWING NO			
PART NAME	RIGHT SWIVEL ARM SET;GM28		
PART NO	SEE CHART	REV	A
APPROVE	ARES	DATE	2015/01/20

COLOR	PART NO.
DEFAULT	1000092795
BLACK MATTE	1000320404
ICED SLIVER	1000349234

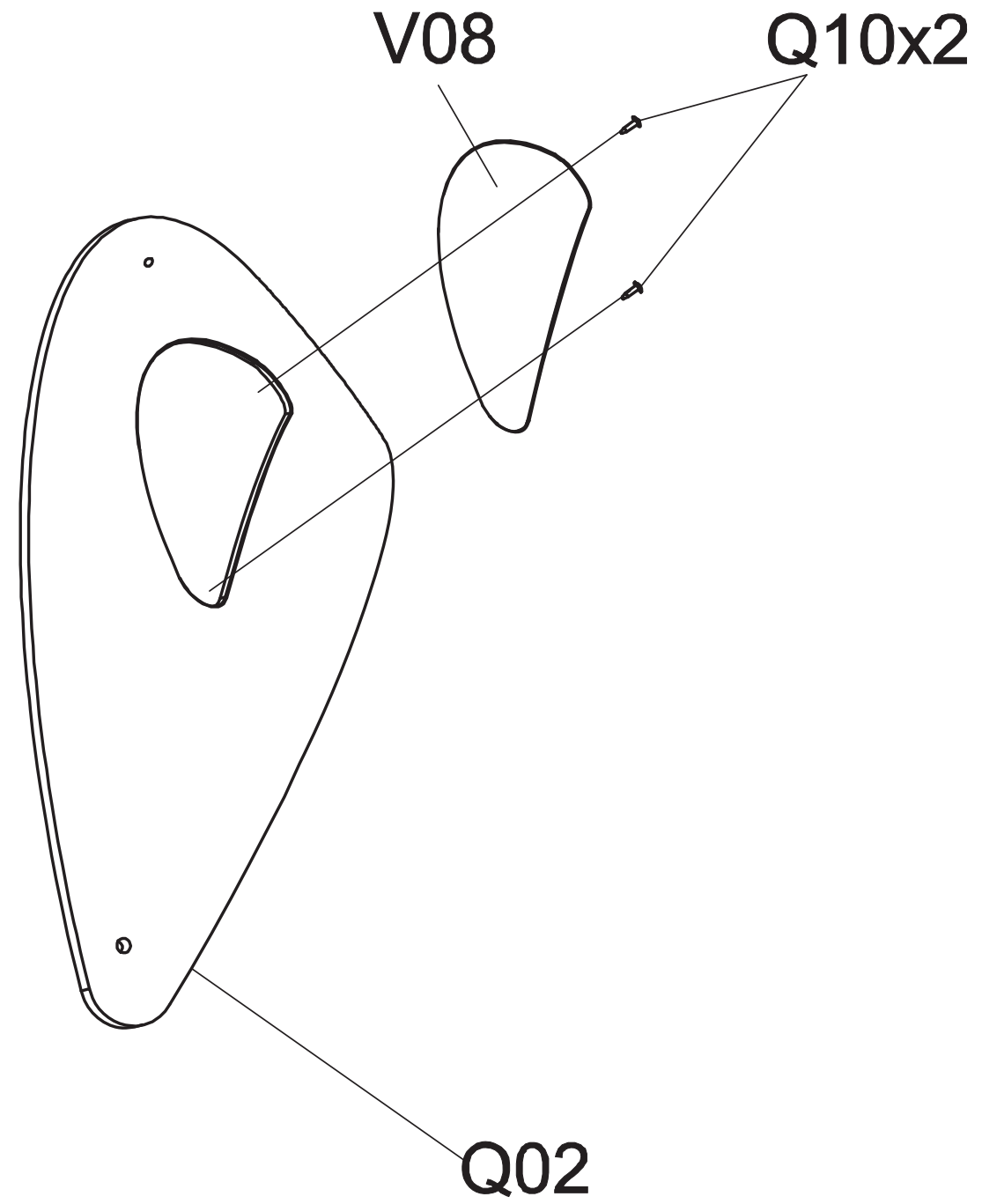


DRAWING NO			
PART NAME	LEFT SWIVEL ARM SET;GM28		
PART NO	SEE CHART <table border="1" style="display: inline-table; vertical-align: middle;"><tr><td>REV</td><td>A</td></tr></table>	REV	A
REV	A		
APPROVE	ARES <table border="1" style="display: inline-table; vertical-align: middle;"><tr><td>DATE</td><td>2015/01/20</td></tr></table>	DATE	2015/01/20
DATE	2015/01/20		

COLOR	PART NO.
DEFAULT	1000092794
BLACK MATTE	1000320403
ICED SLIVER	1000349235



DRAWING NO			
PART NAME	COVER SET;GM11D-KM		
PART NO	1000338414	REV	A
APPROVE	KNIGHT	DATE	111214



DRAWING NO			
PART NAME	ADJUST SET;SA;;;GM30C;SERVICE		
PART NO	1000212618	REV	A
APPROVE	Bonnie	DATE	20110126

