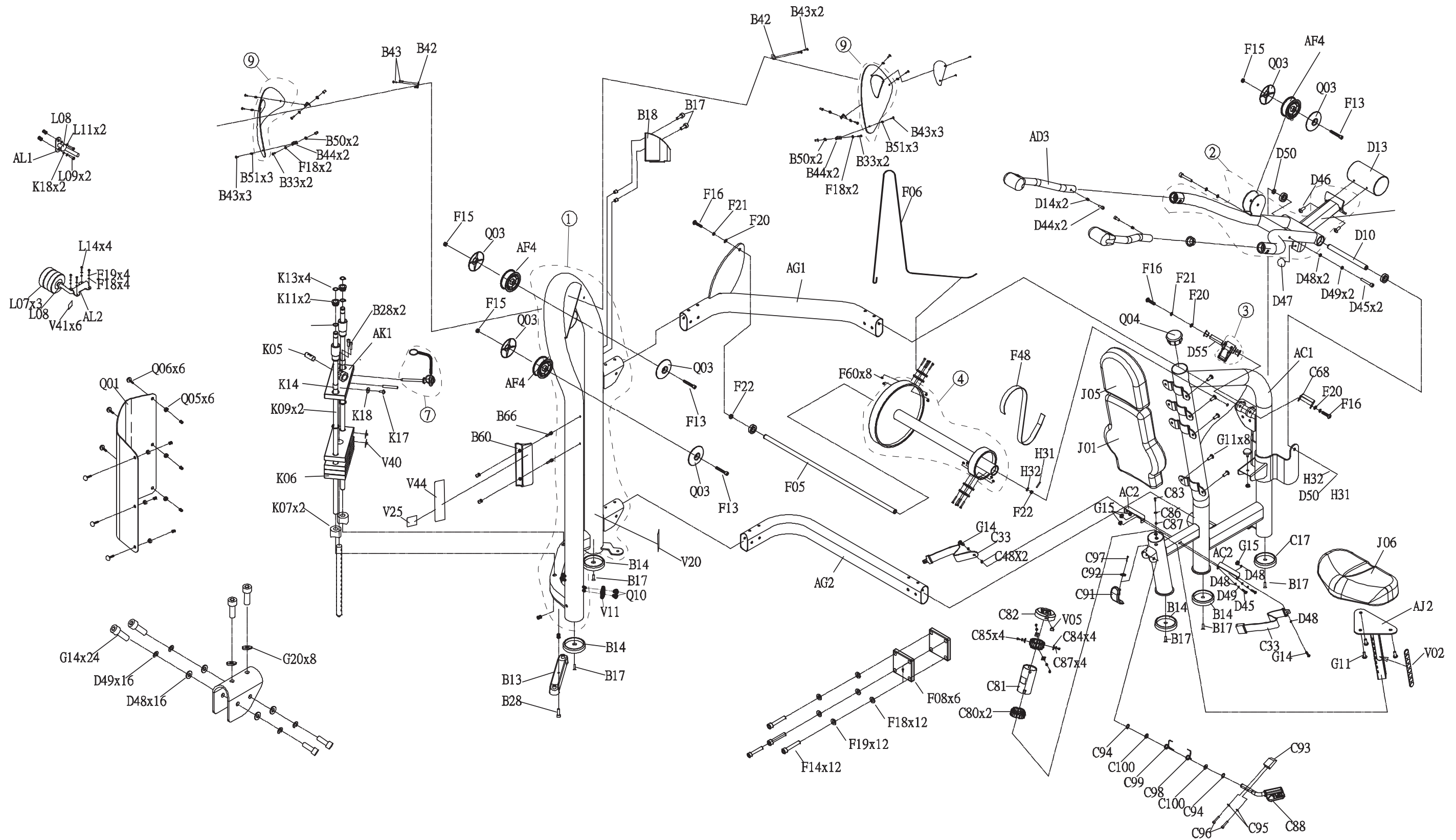
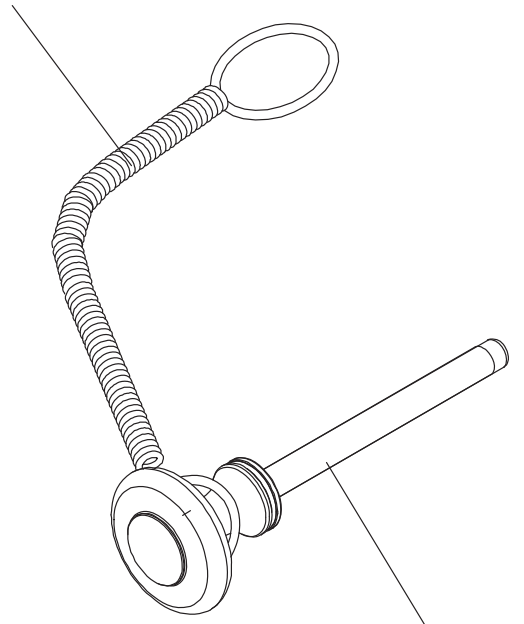


DRAWING NO	PG3GM13C-KM		
PART NAME	Explosive Diagram		
PART NO	MGM0389-00	REV	A
APPROVE	LIUSHUO	DATE	2019.05.18



DRAWING NO	GM30C-SF01		
PART NAME	Adjust Set;Sa;GM30C;Service		
PART NO	1000212618	REV	A
APPROVE	Zhouping	DATE	2016.11.15

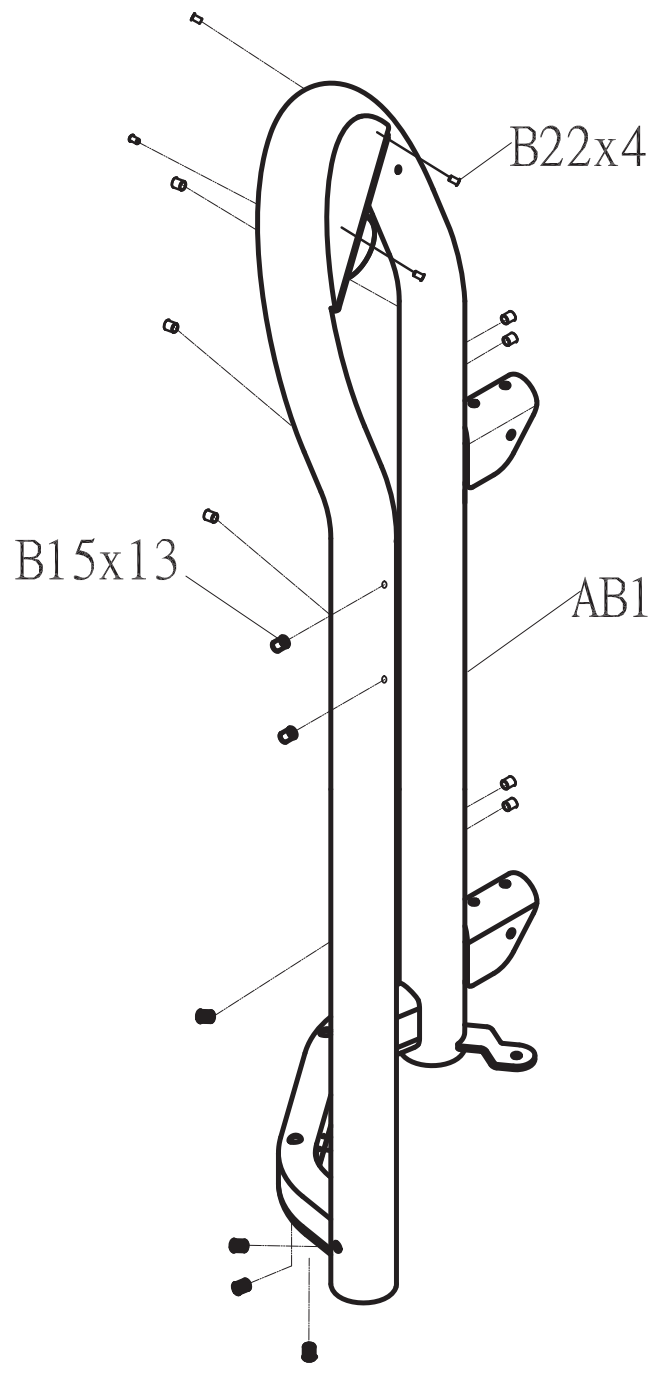
K25



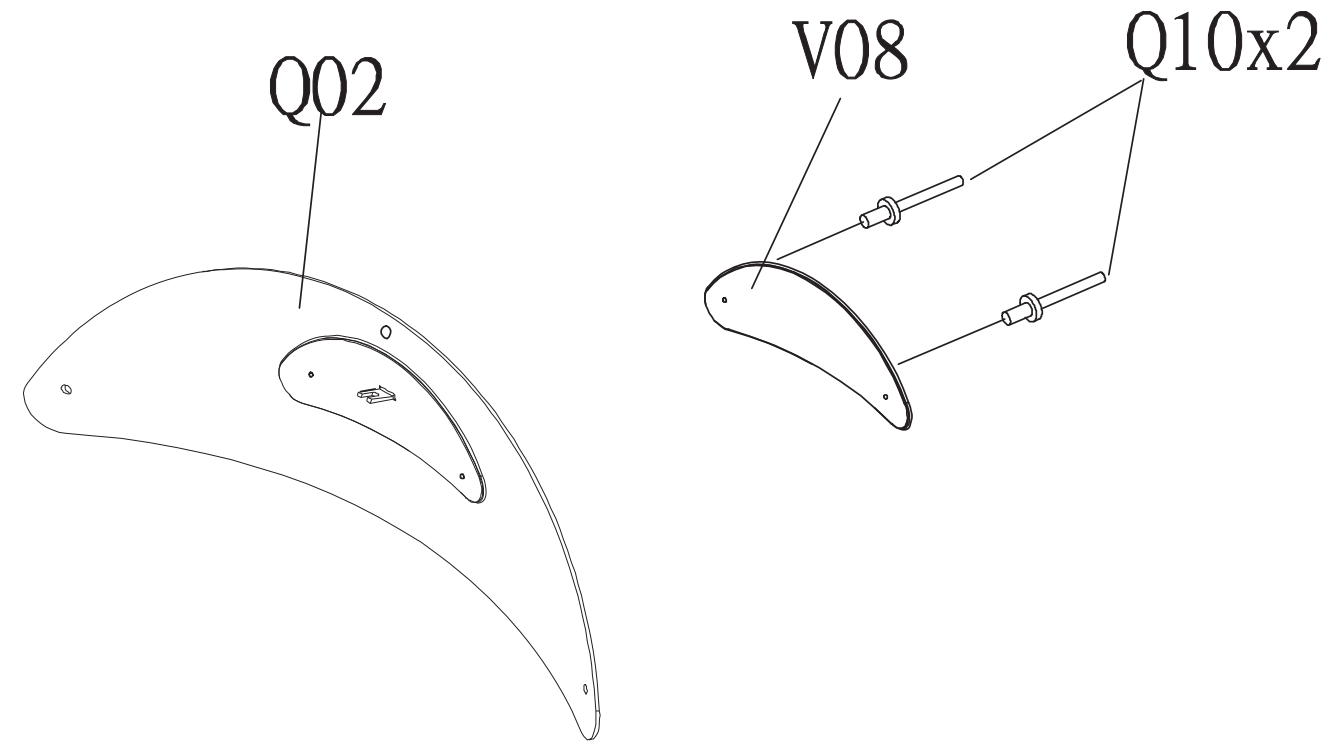
K10

DRAWING NO			
PART NAME	Frame Set;GM13C;;Service		
PART NO	See chart	REV	A
APPROVE	Ares	DATE	07/18/14

Coulour	Part no.
Default	1000214917
Black Matte	1000320108
Iced Sliver	1000349240

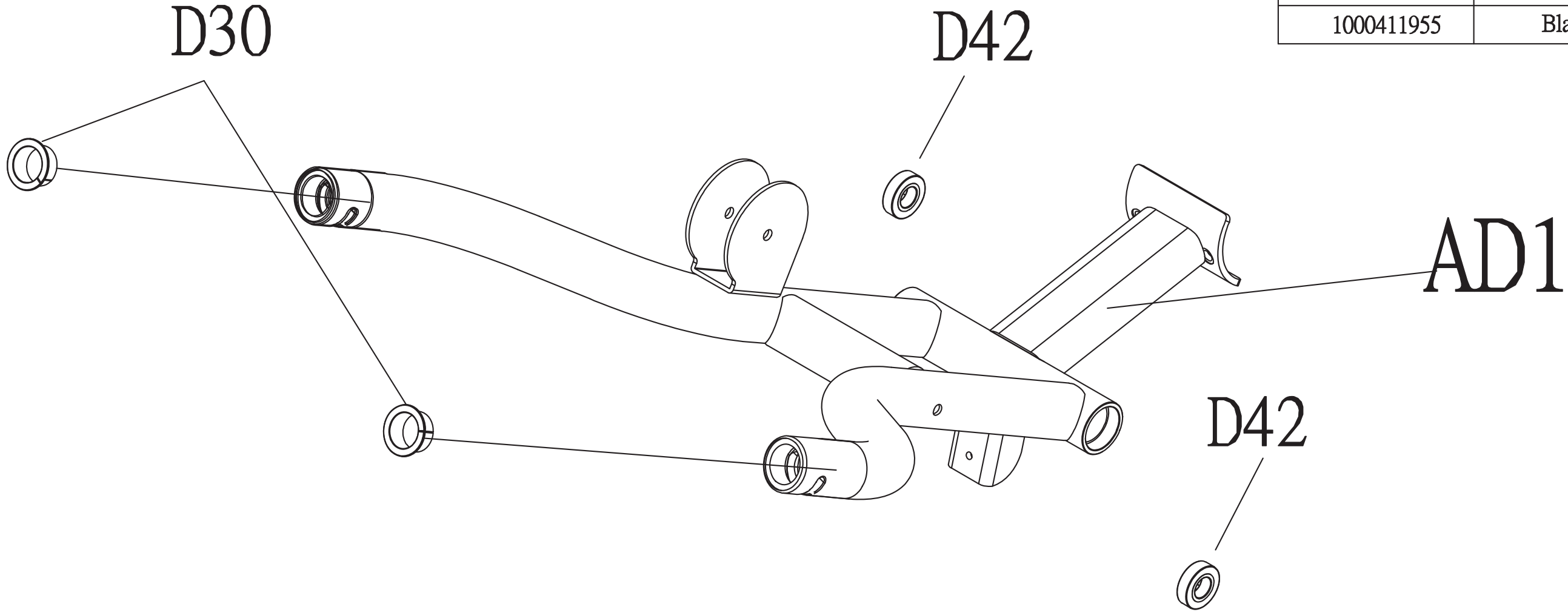


DRAWING NO	GM01E-A004		
PART NAME	COVER SET;Planet Fitness Purple		
PART NO	1000338414	REV	A
APPROVE	Zhouping	DATE	2016.11.22



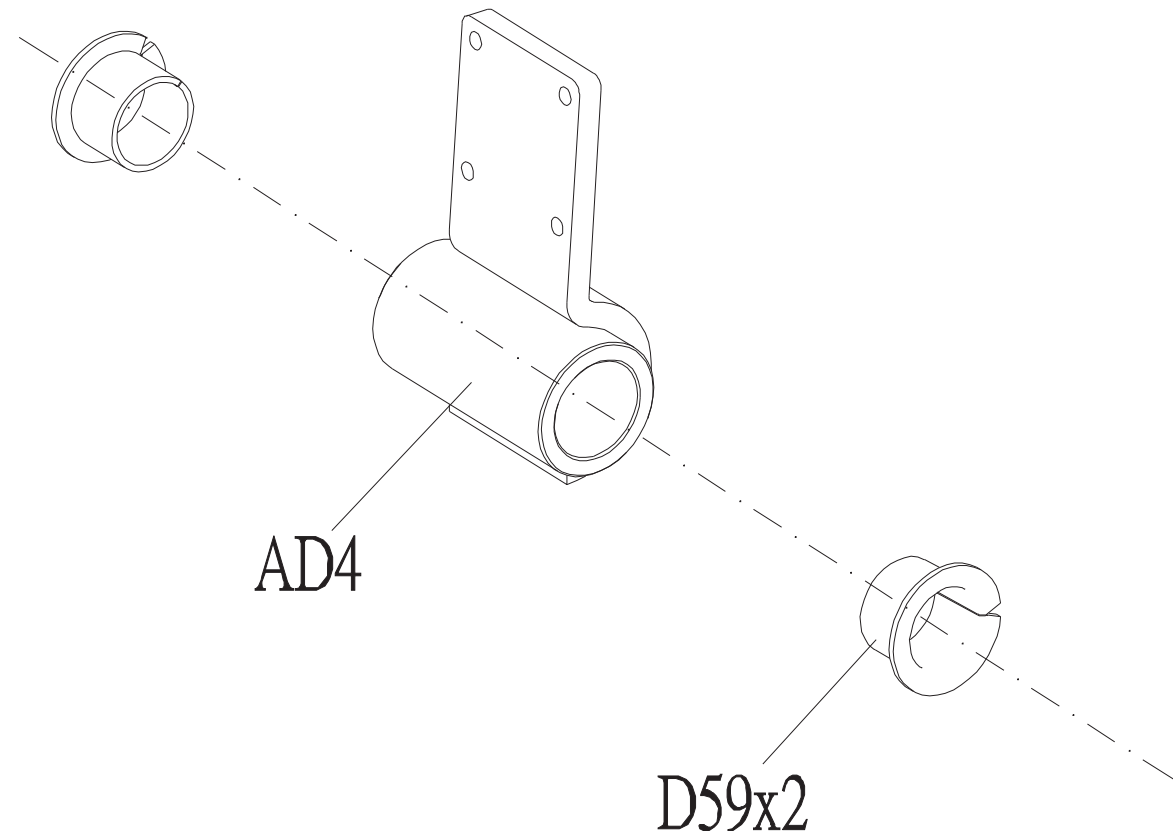
DRAWING NO	GM13C-SF02		
PART NAME	Jib group		
PART NO	See Chart	REV	A
APPROVE	SUN	DATE	2017.7.28

SAP NO.	Color
1000320109	Black Matte
1000411947	<b>Platinum</b>
1000411949	Polarized Titanium
1000411953	Pearl White
1000349241	Iced Sliver
1000411951	Lace White
1000411955	Black Glossy



DRAWING NO			
PART NAME	SWIVEL ARM SET;GM13		
PART NO	SEE CHART	REV	A
APPROVE	ARES	DATE	2015/01/15

COLOR	PART NO.
DEFAULT	088002
BLACK MATTE	1000320110
ICED SLIVER	1000349242



DRAWING NO	GM13C-SF04		
PART NAME	The cam group		
PART NO	See Chart	REV	A
APPROVE	SUN	DATE	2017.7.28

SAP NO.	Color
1000320111	Black Matte
1000411981	<b>Platinum</b>
1000411983	Polarized Titanium
1000411987	Pearl White
1000349243	Iced Sliver
1000411985	Lace White
1000411989	Black Glossy

