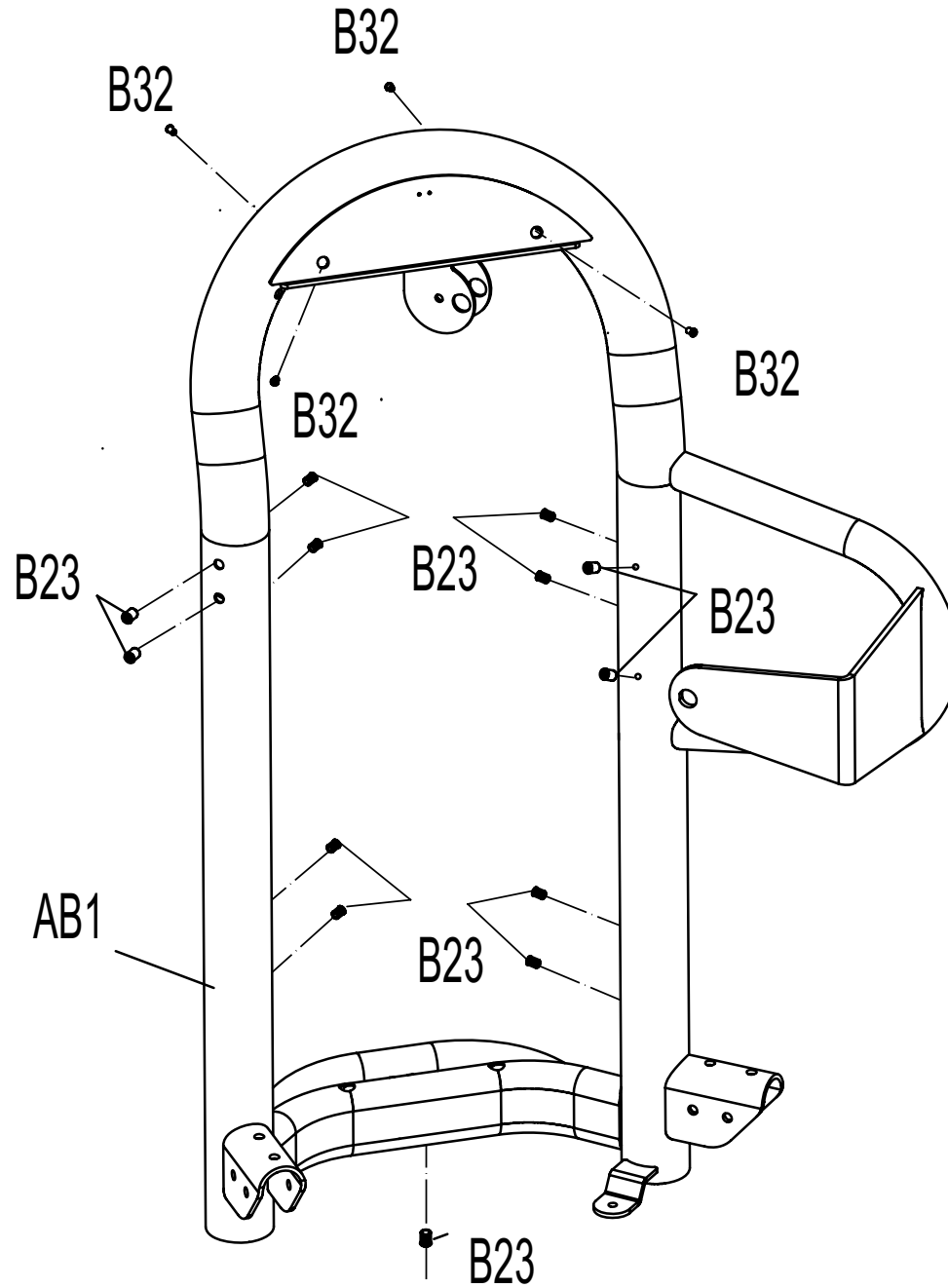
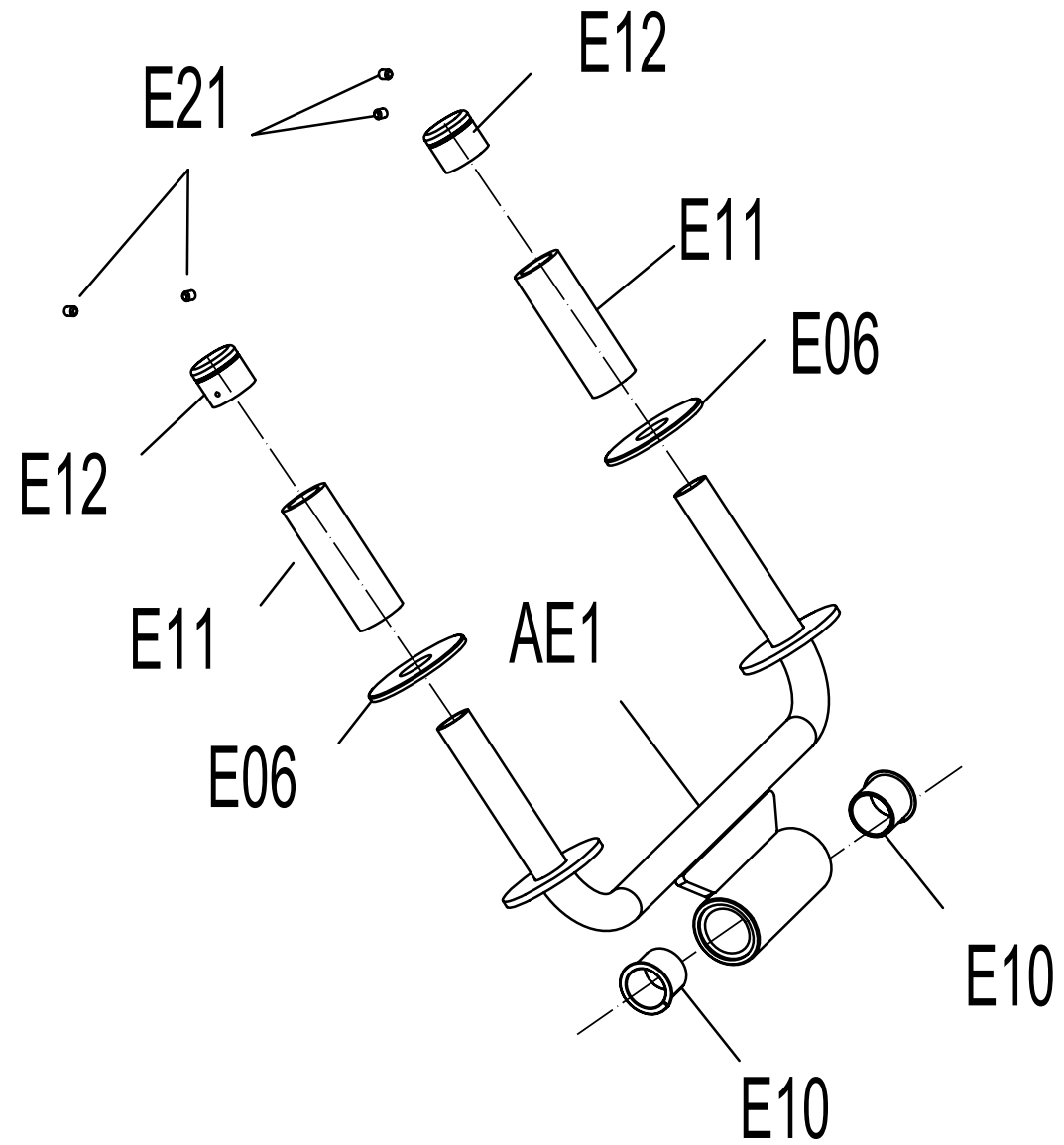


ING NO			
NAME	FRAME SET		
NO	1000211496	REV	A
ROVE	JEFFREY	DATE	02/24/22



ING NO			
NAME	HANDLE SET		
T NO	1000211498	REV	A
ROVE	JEFFREY	DATE	02/24/22



ING NO			
NAME	DRIVE SET		
NO	1000211499	REV	A
ROVE	JEFFREY	DATE	02/24/22

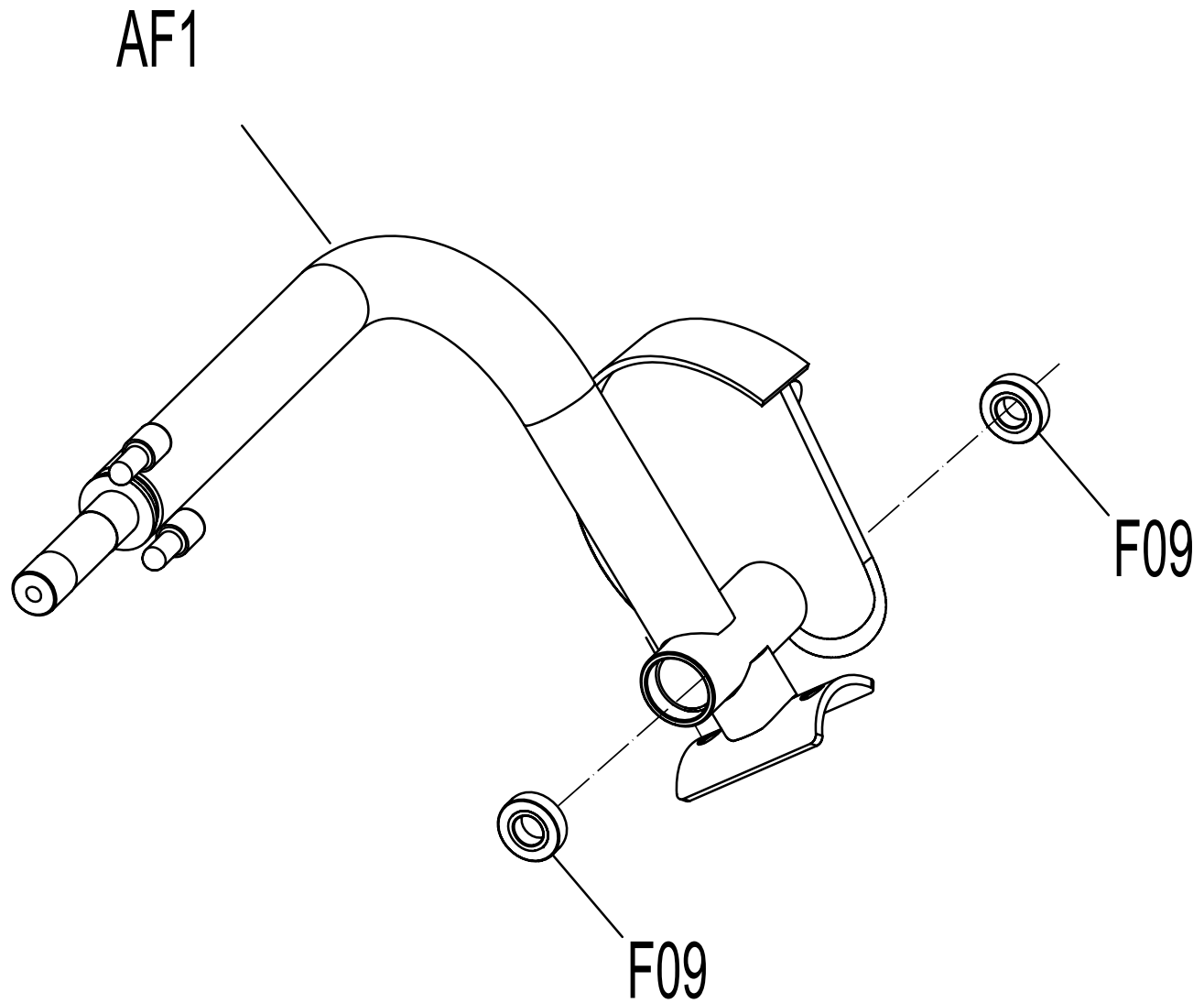


FIG NO			
NAME	DISASSEMBLY CONNECT SET		
FIG NO	1000211501	REV	A
APPROVE	JEFFREY	DATE	02/24/22

