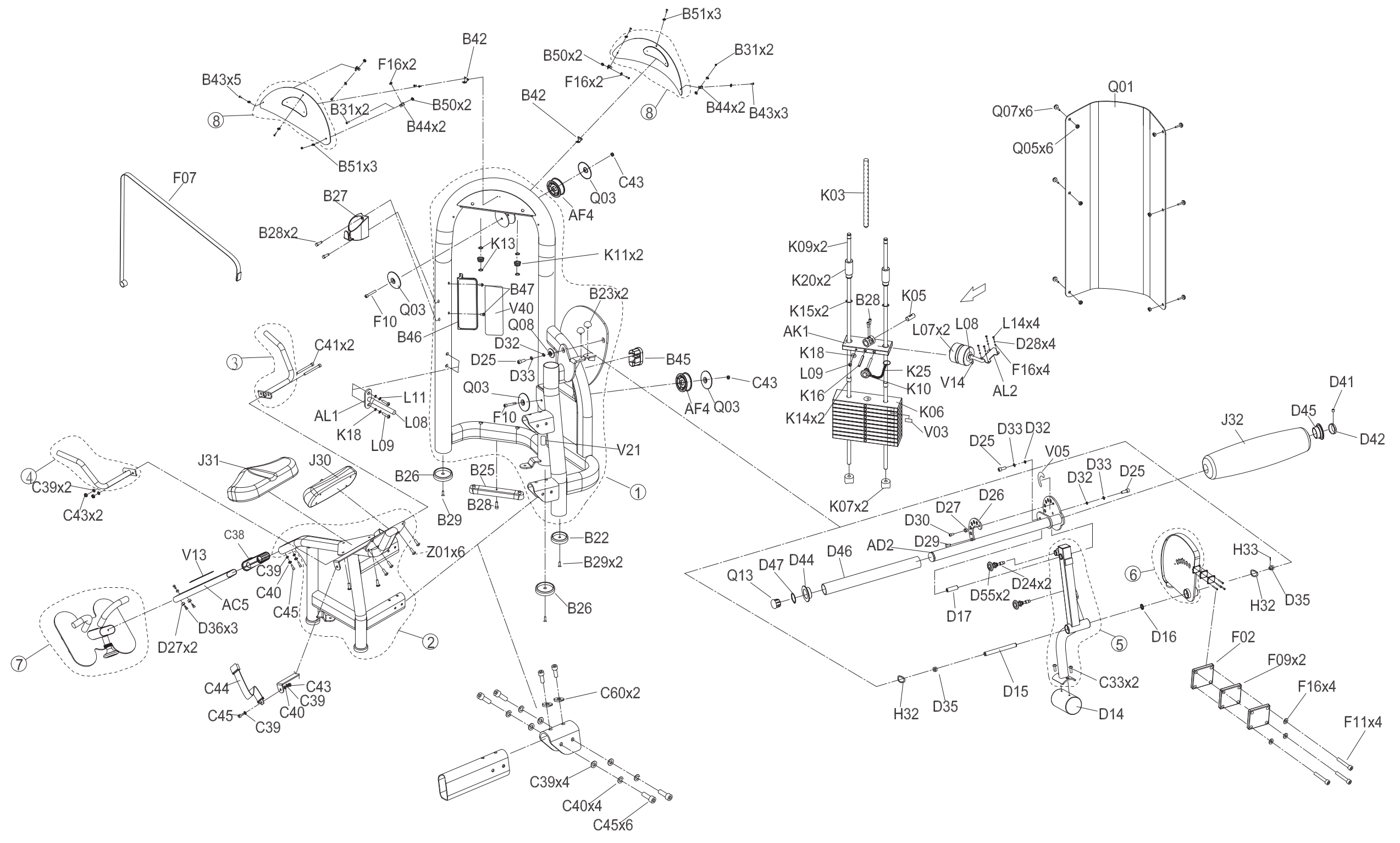
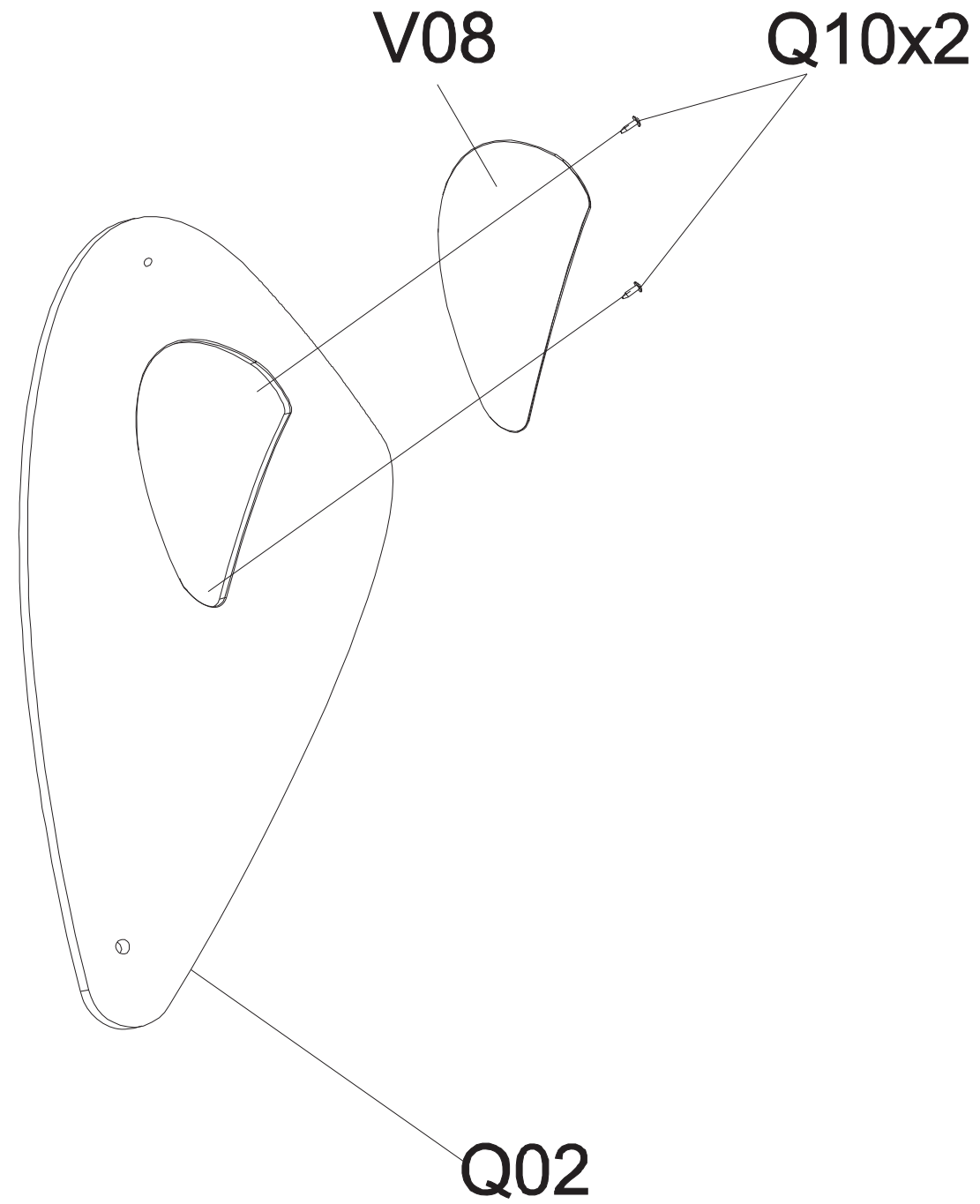


DRAWING NO	PG3GM03B-KM		
MODEL NO	Explosive Rendering;GMO3		
PART NO	MGM0281-00	REV	B
APPROVE	Area	DATE	02/02/2014

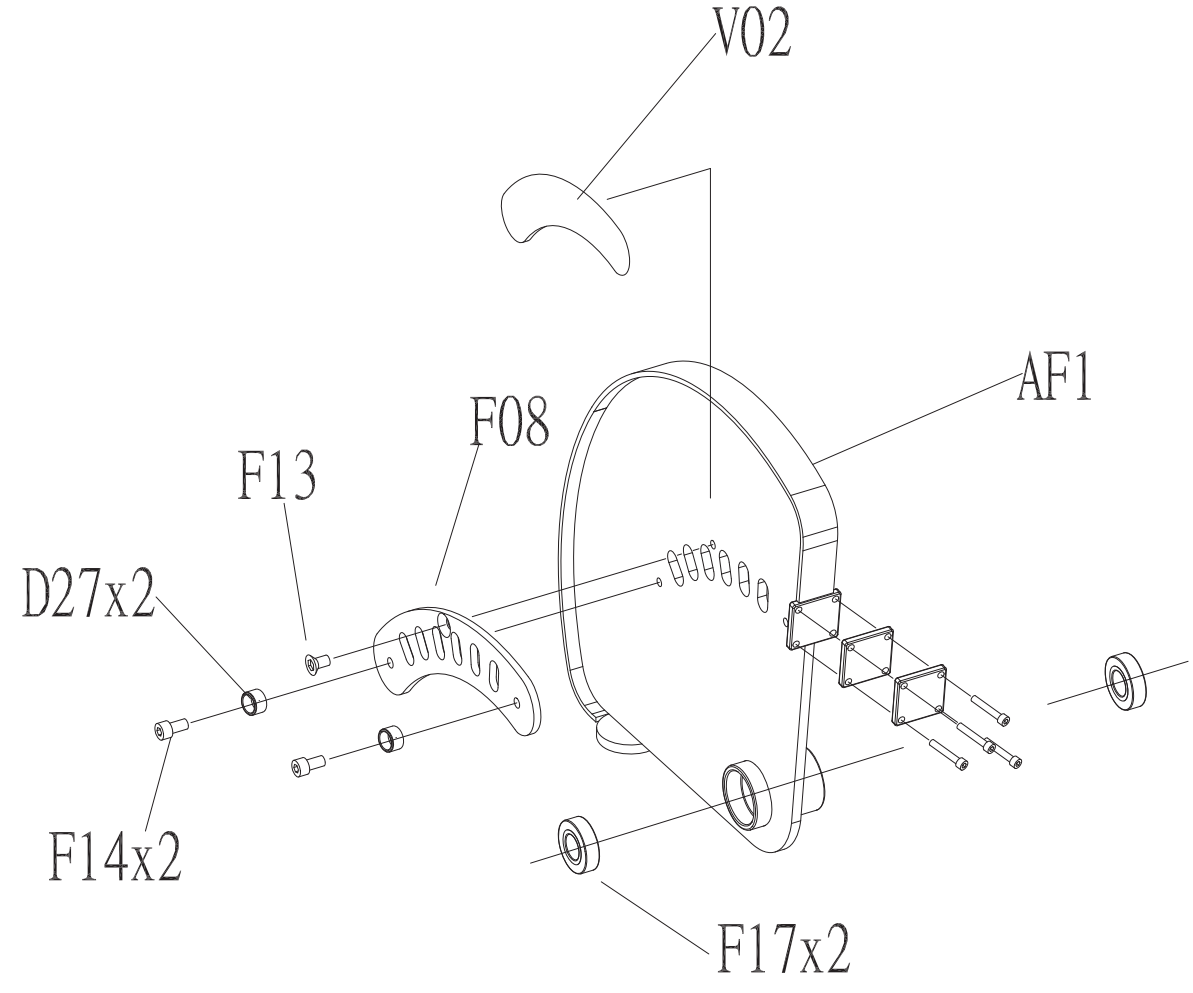


DRAWING NO			
PART NAME	COVER SET;GM11D-KM		
PART NO	085775	REV	A
APPROVE	KNIGHT	DATE	111214



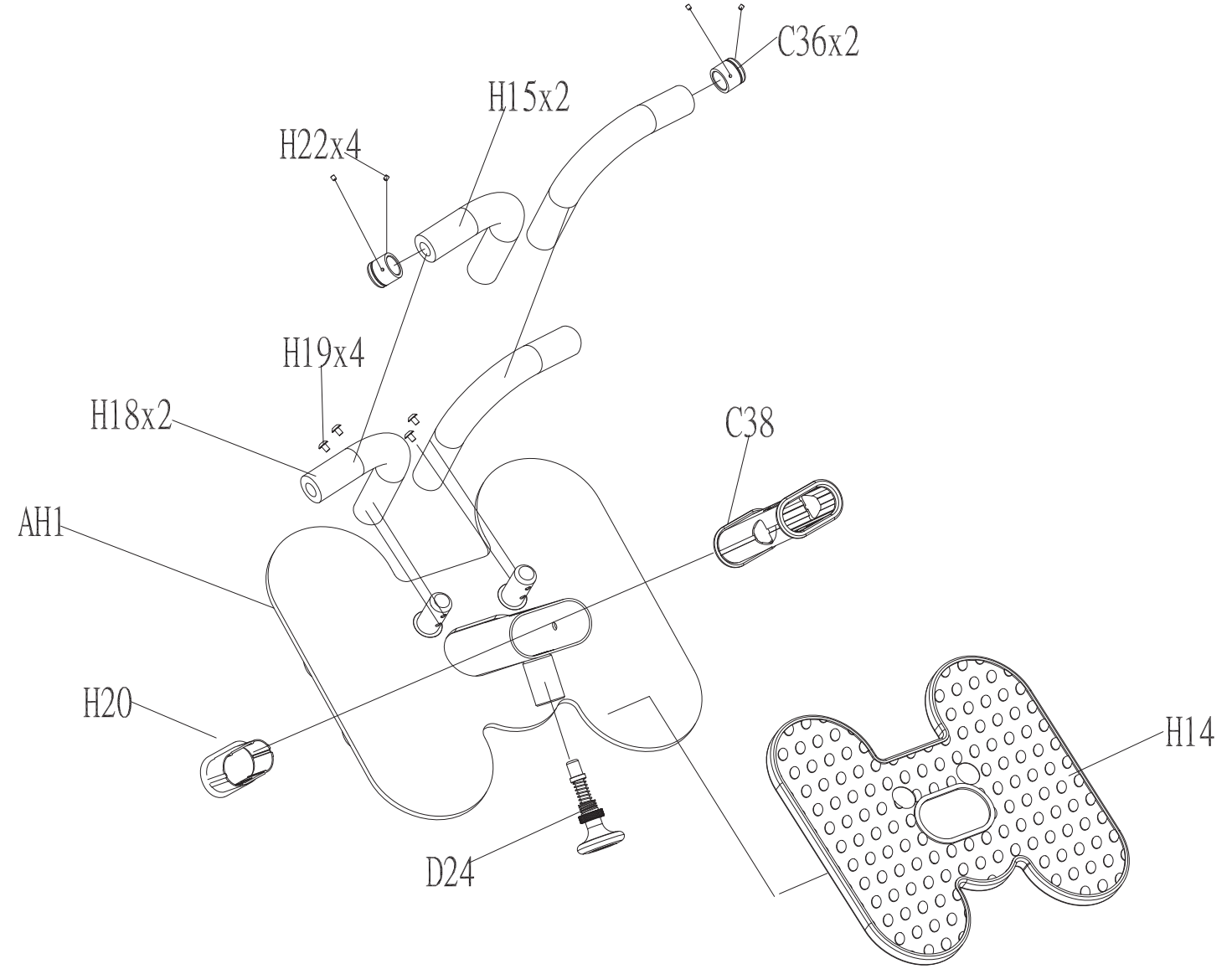
DRAWING NO			
PART NAME	CAM SET;GM03KM-G3;;		
PART NO	See chart	REV	A
APPROVE	Ares	DATE	07/22/14

Coulour	Part no.
Default	087969
Black Matte	1000319916
Iced Sliver	1000349258

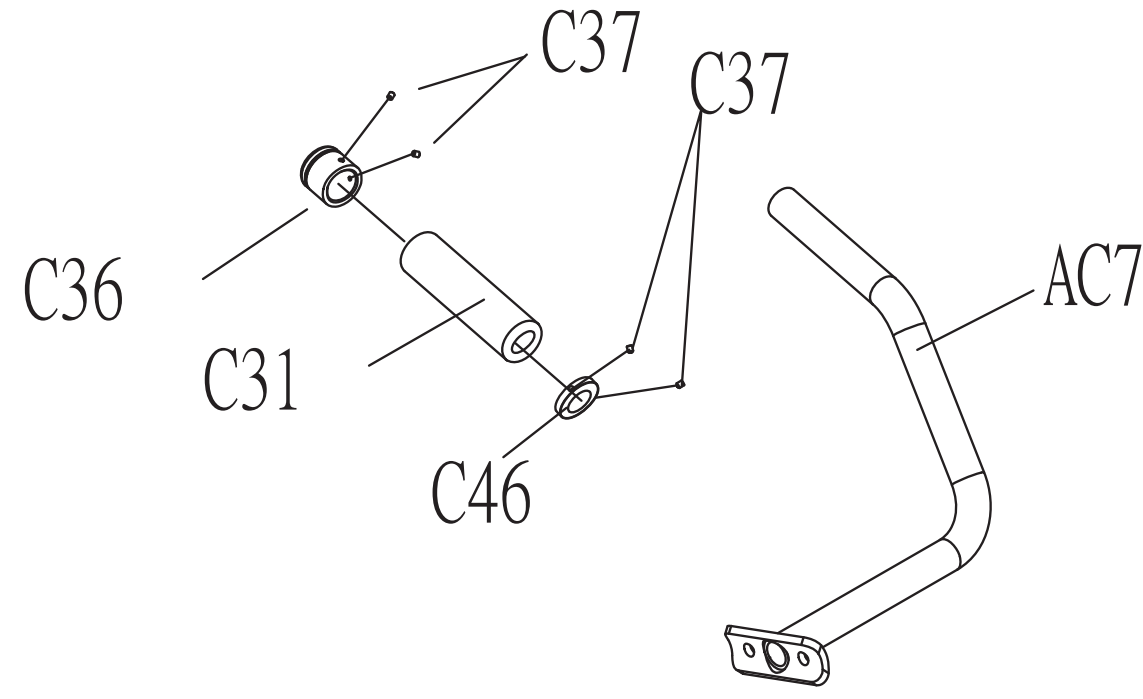
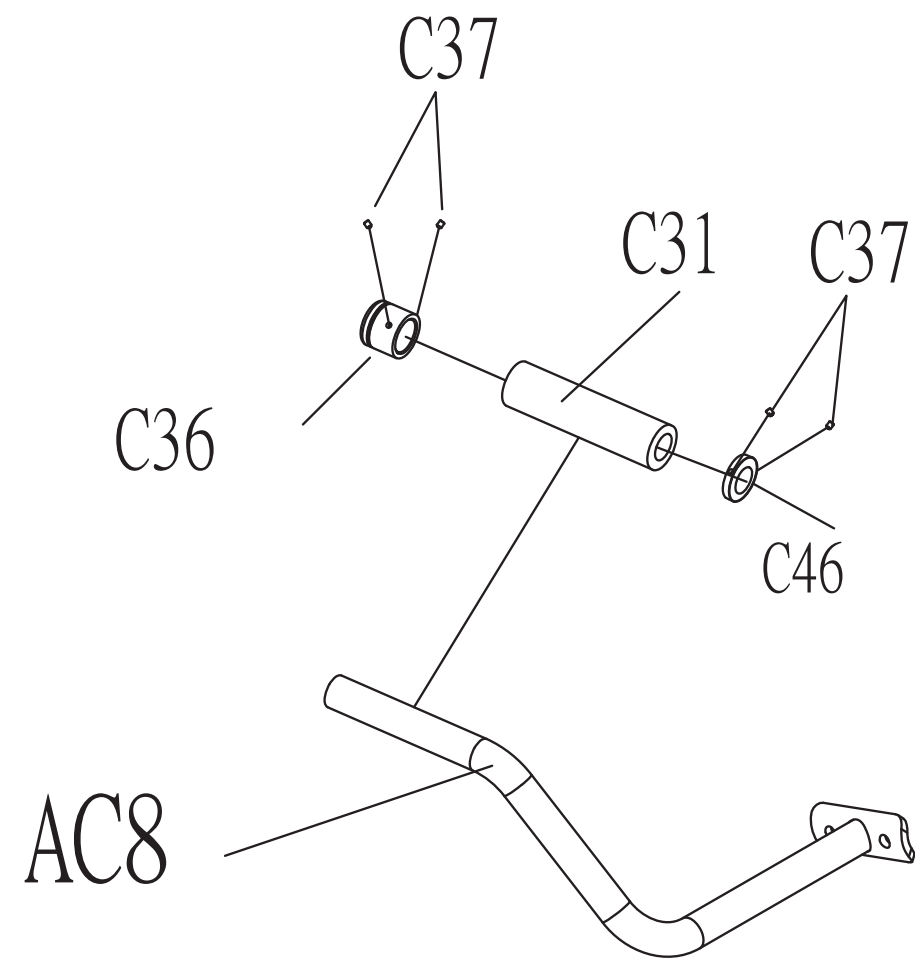


DRAWING NO			
PART NAME	Foot Adjustable Set;GM03		
PART NO	See chart	REV	A
APPROVE	Ares	DATE	07/22/14

Coulour	Part no.
Default	087974
Black Matte	1000319917
Iced Sliver	1000349259

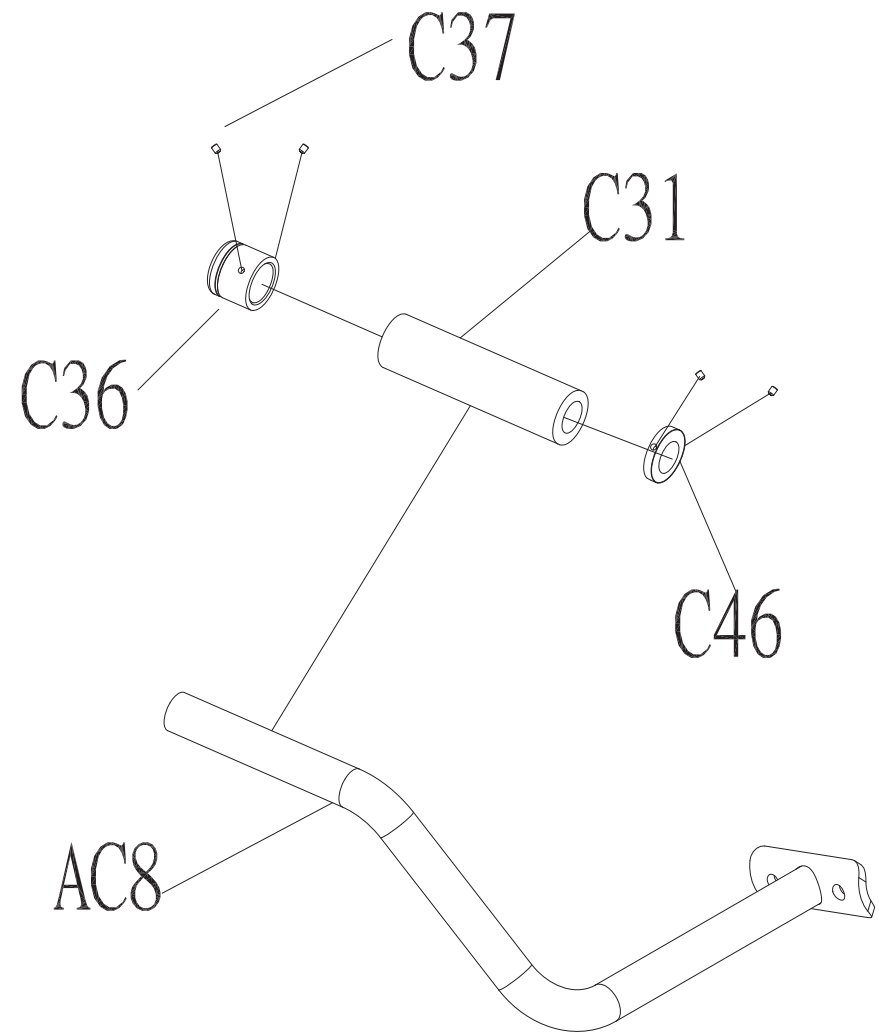


DRAWING NO 圖 號		
PART NAME(CH) 零件名稱(中文)	握把焊接組(黑色)	
PART NAME(EN) 零件名稱(英文)	HANDLEBAR SET(PANTING)	
SAP PART NO SAP料號	024106-ZG2	REV   A



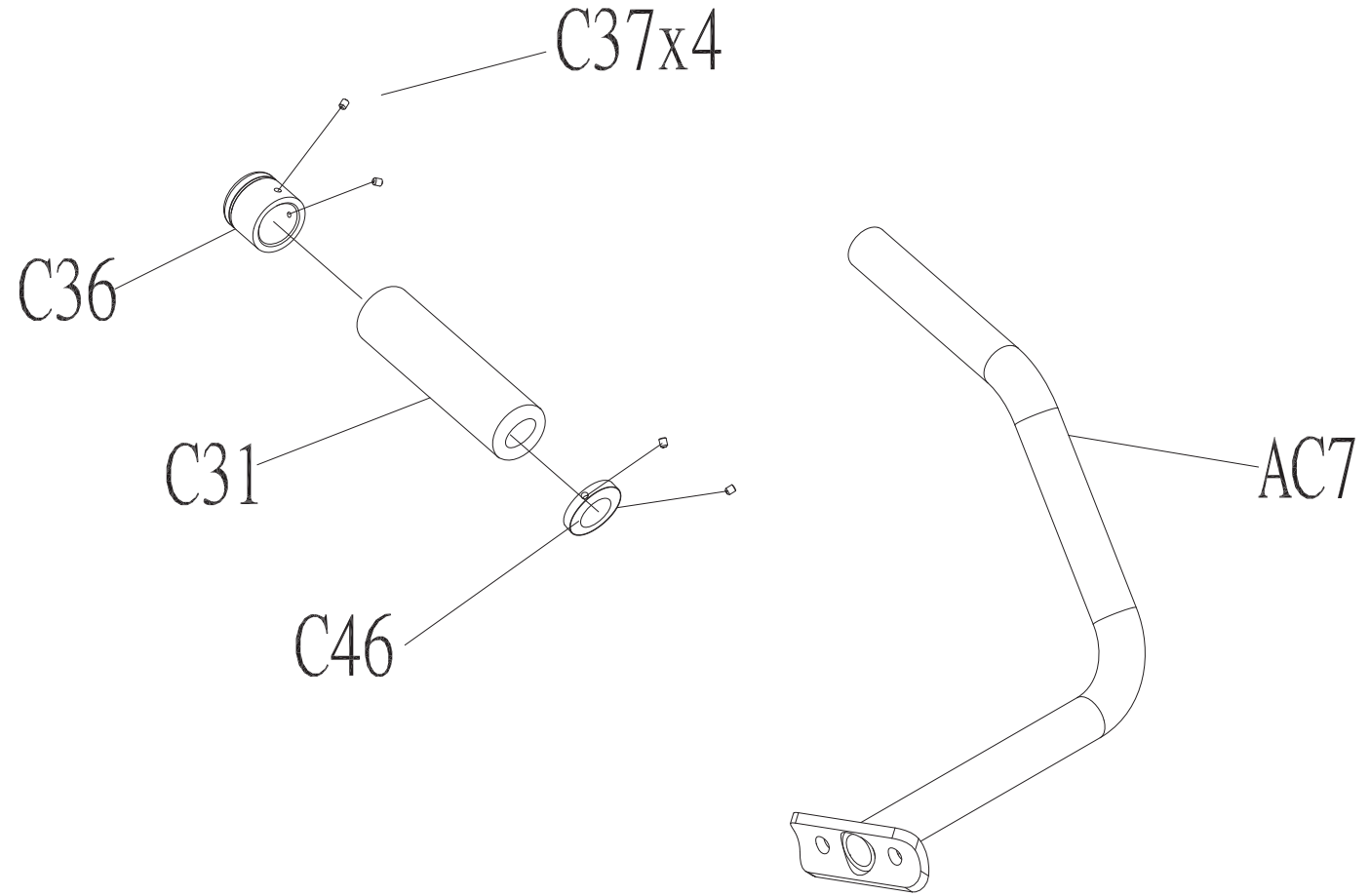
DRAWING NO			
PART NAME	Handle Set;;left;GM03KM-G3;		
PART NO	See chart	REV	A
APPROVE	Ares	DATE	07/22/14

Coulour	Part no.
Default	024106-ZG2-L
Black Matte	1000319913
Iced Sliver	1000349254



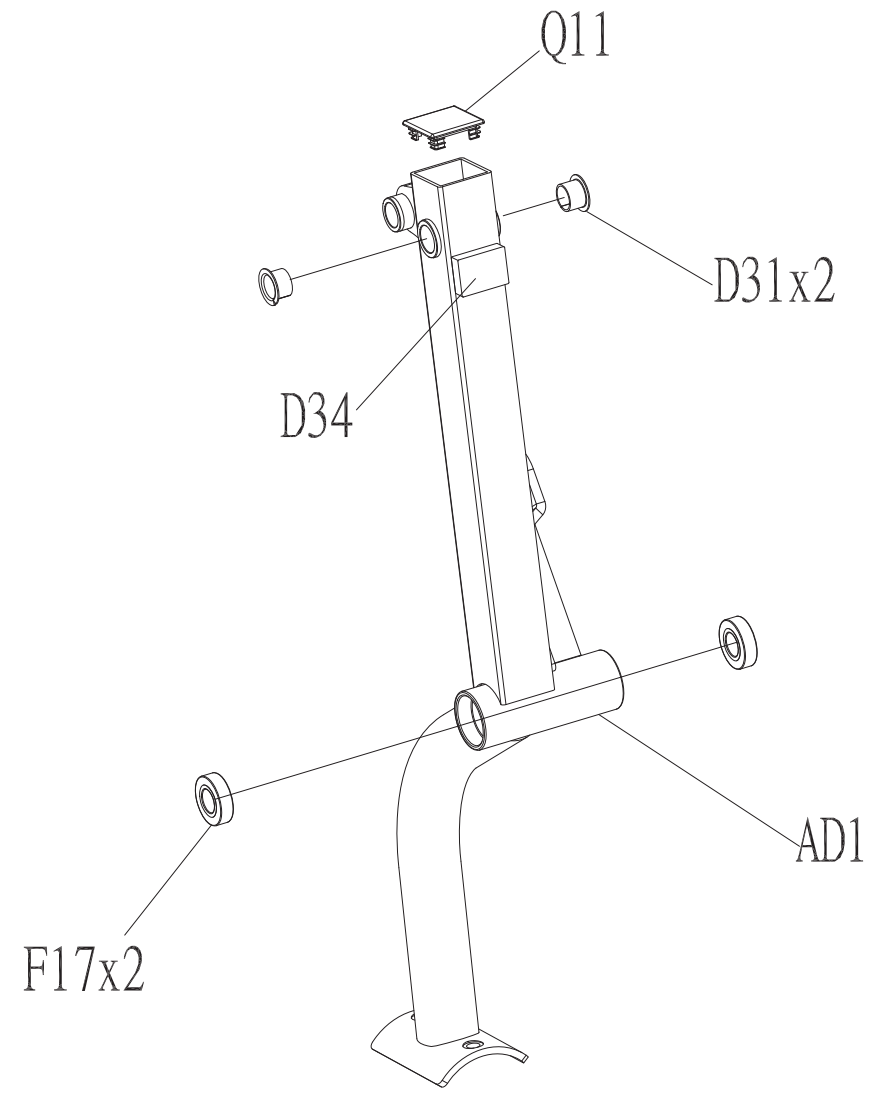
DRAWING NO			
PART NAME	Handle Set;;right;GM03KM-G3		
PART NO	See chart	REV	A
APPROVE	Ares	DATE	07/22/14

Coulour	Part no.
Default	071936
Black Matte	1000319914
Iced Sliver	1000349255



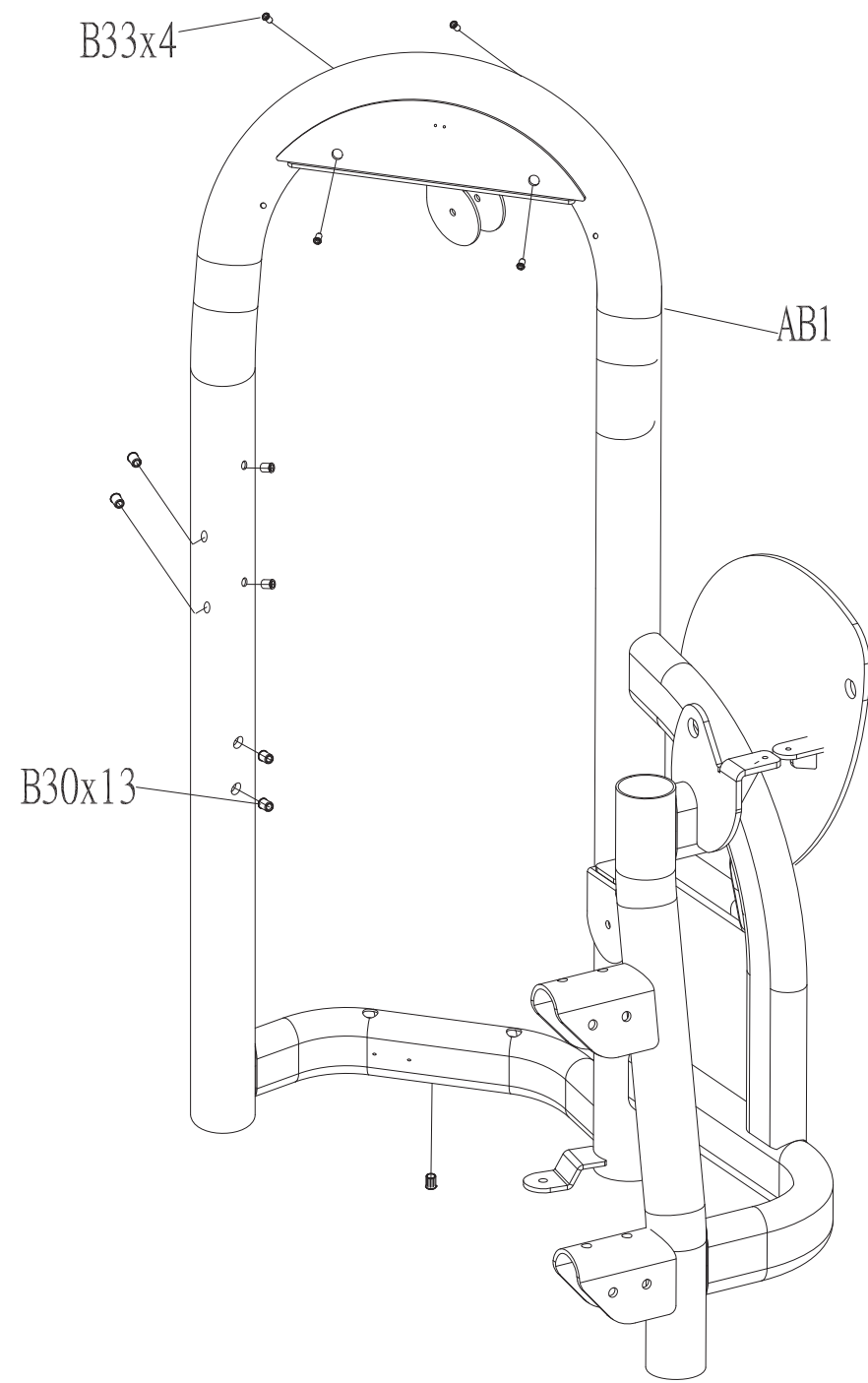
DRAWING NO			
PART NAME	Swivel arm set;GM03KM-G3		
PART NO	See chart	REV	A
APPROVE	Ares	DATE	07/22/14

Coulour	Part no.
Default	087976
Black Matte	1000319915
Iced Sliver	1000349256



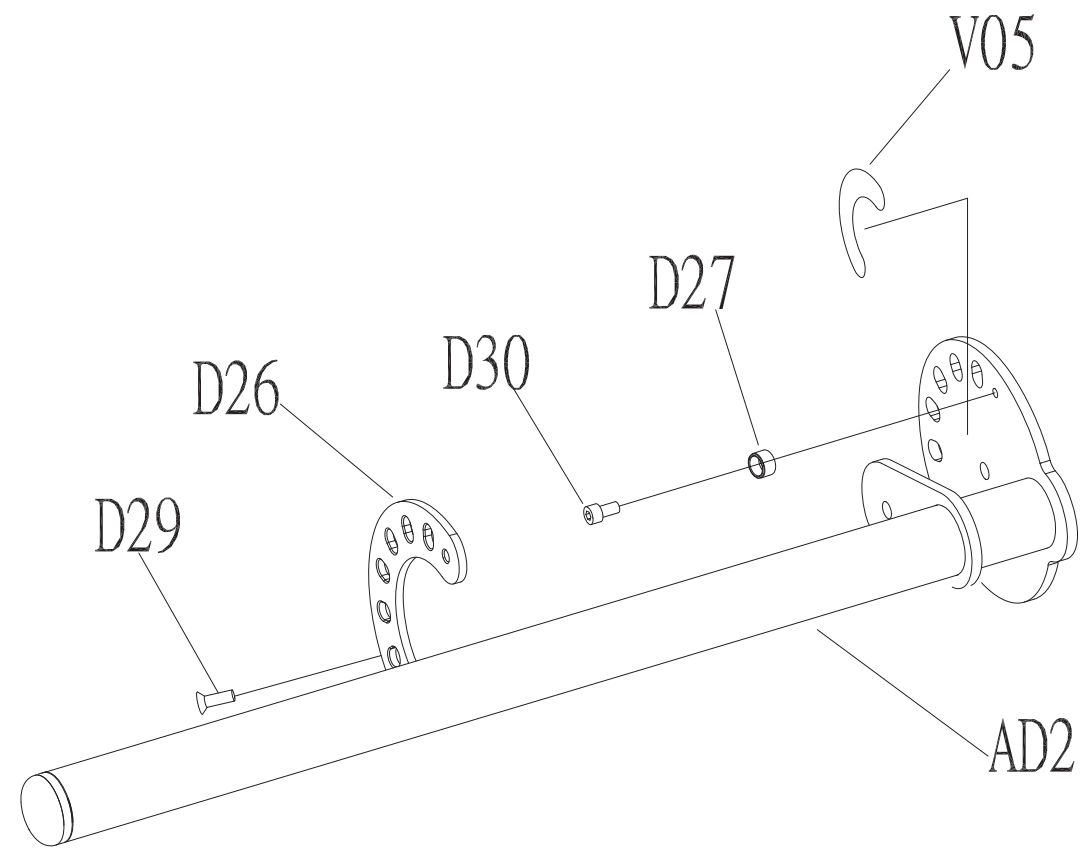
DRAWING NO			
PART NAME	Frame set;GM03KM-G3		
PART NO	See chart	REV	A
APPROVE	Ares	DATE	07/22/14

Coulour	Part no.
Default	095279
Black Matte	1000319920
Iced Sliver	1000349252



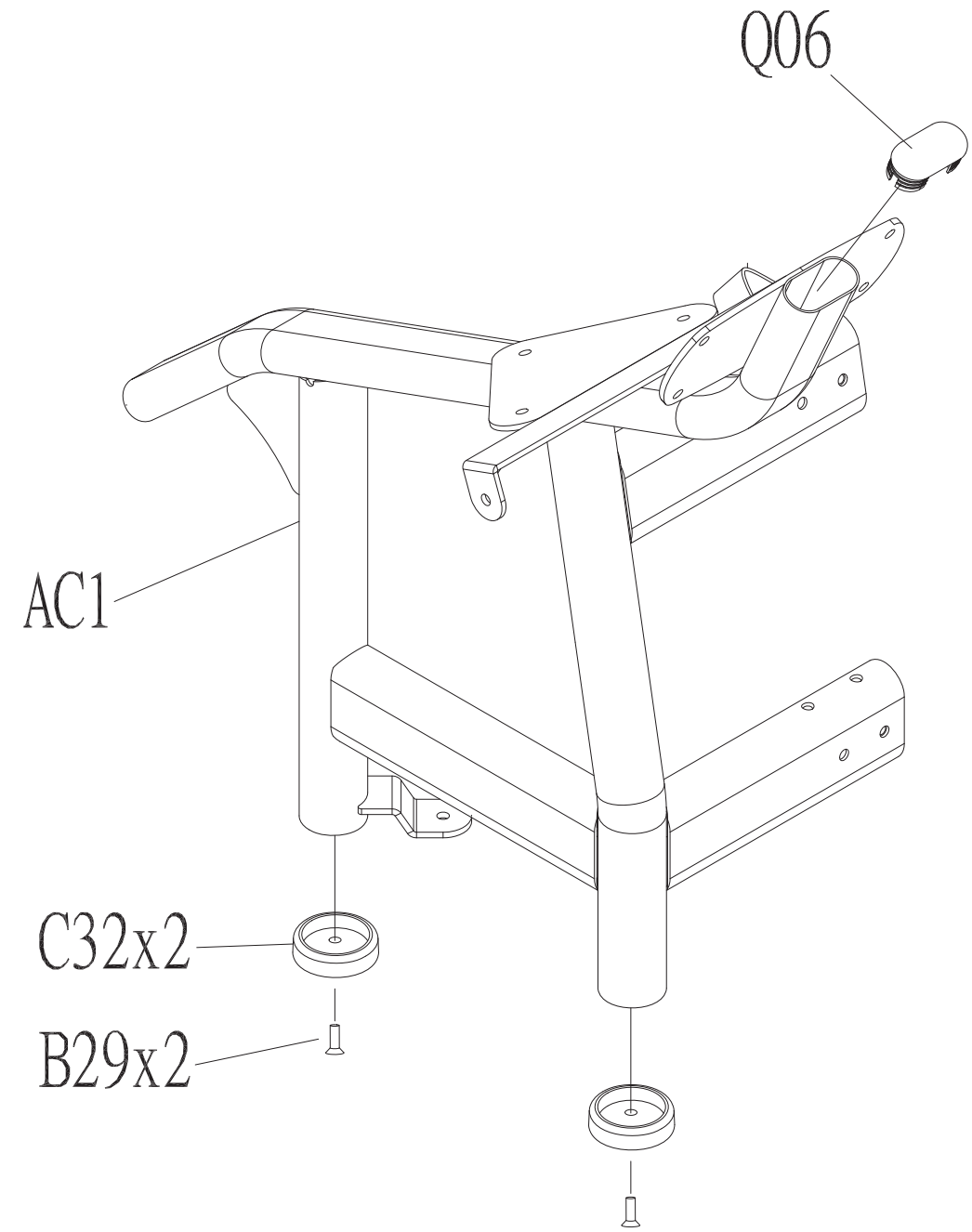
DRAWING NO			
PART NAME	Back Pad Fixing Teube Set;GM03		
PART NO	See chart	REV	A
APPROVE	Ares	DATE	07/22/14

Coulour	Part no.
Default	087973
Black Matte	1000319945
Iced Sliver	1000349257



DRAWING NO			
PART NAME	Base Set;GM03KM-G3		
PART NO	See chart	REV	A
APPROVE	Ares	DATE	07/22/14

Coulour	Part no.
Default	024104-ZG2
Black Matte	1000319919
Iced Sliver	1000349253



DRAWING NO			
PART NAME	Extrawork;Pulley set		
PART NO	SR1101001AA	REV	A
APPROVE		DATE	

