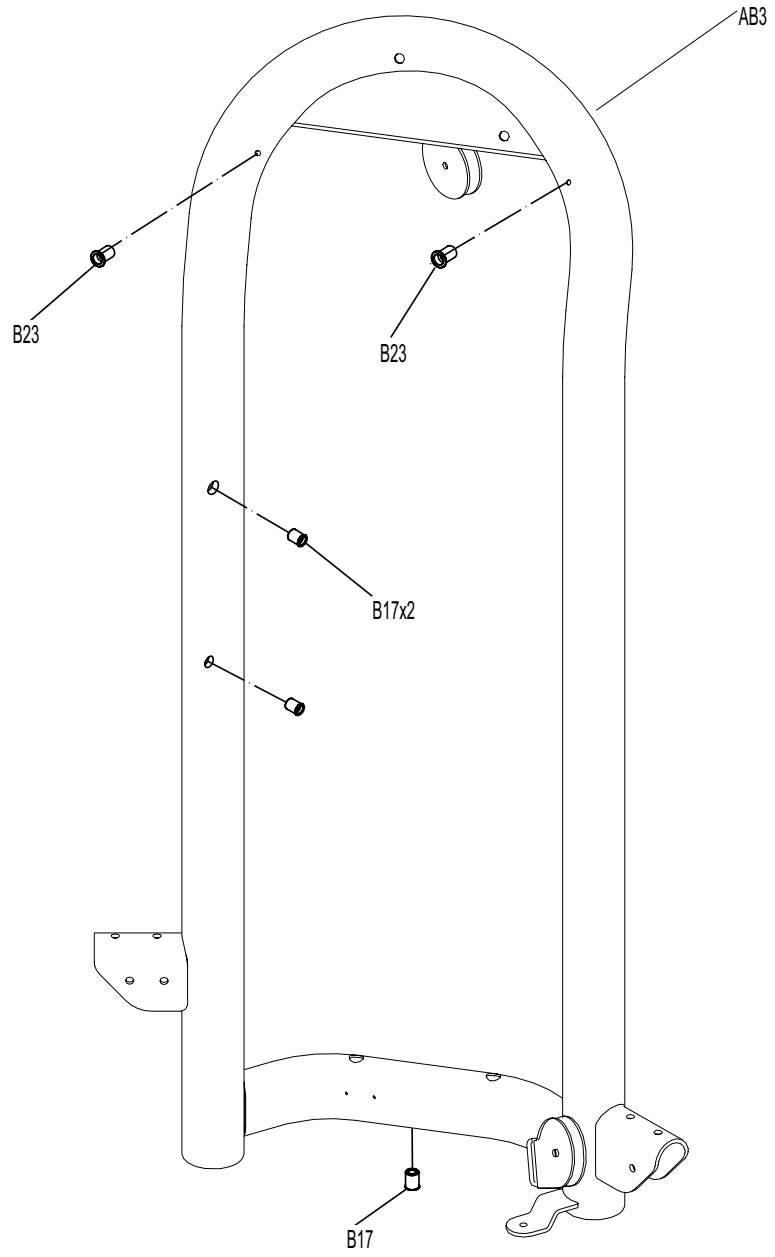




DRAWING NO			
PART NAME	Frame Set;SA		
PART NO	1000204500	REV	A
APPROVE	Bonnie	DATE	20101215



ING NO			
NAME	Link Arm Set		
NO	1000204507	REV	A
ROVE	JEFFREY	DATE	03/26/11

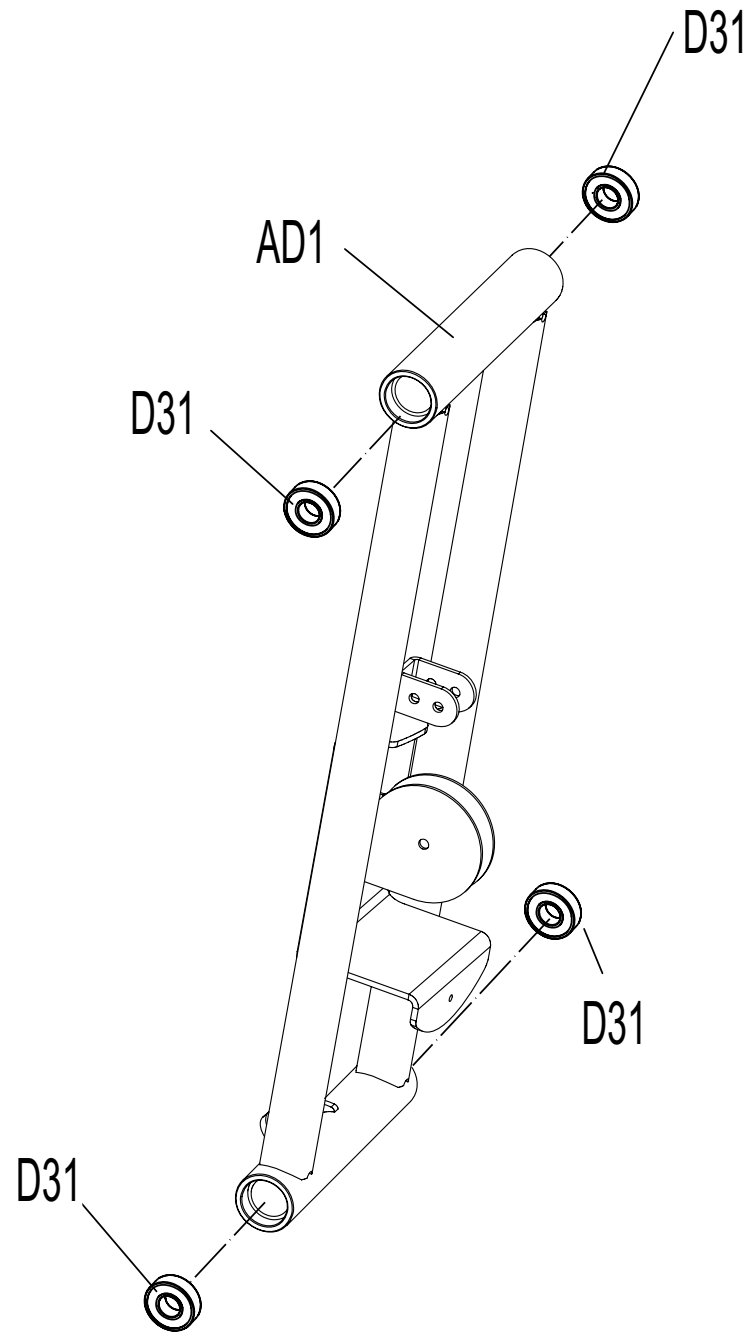
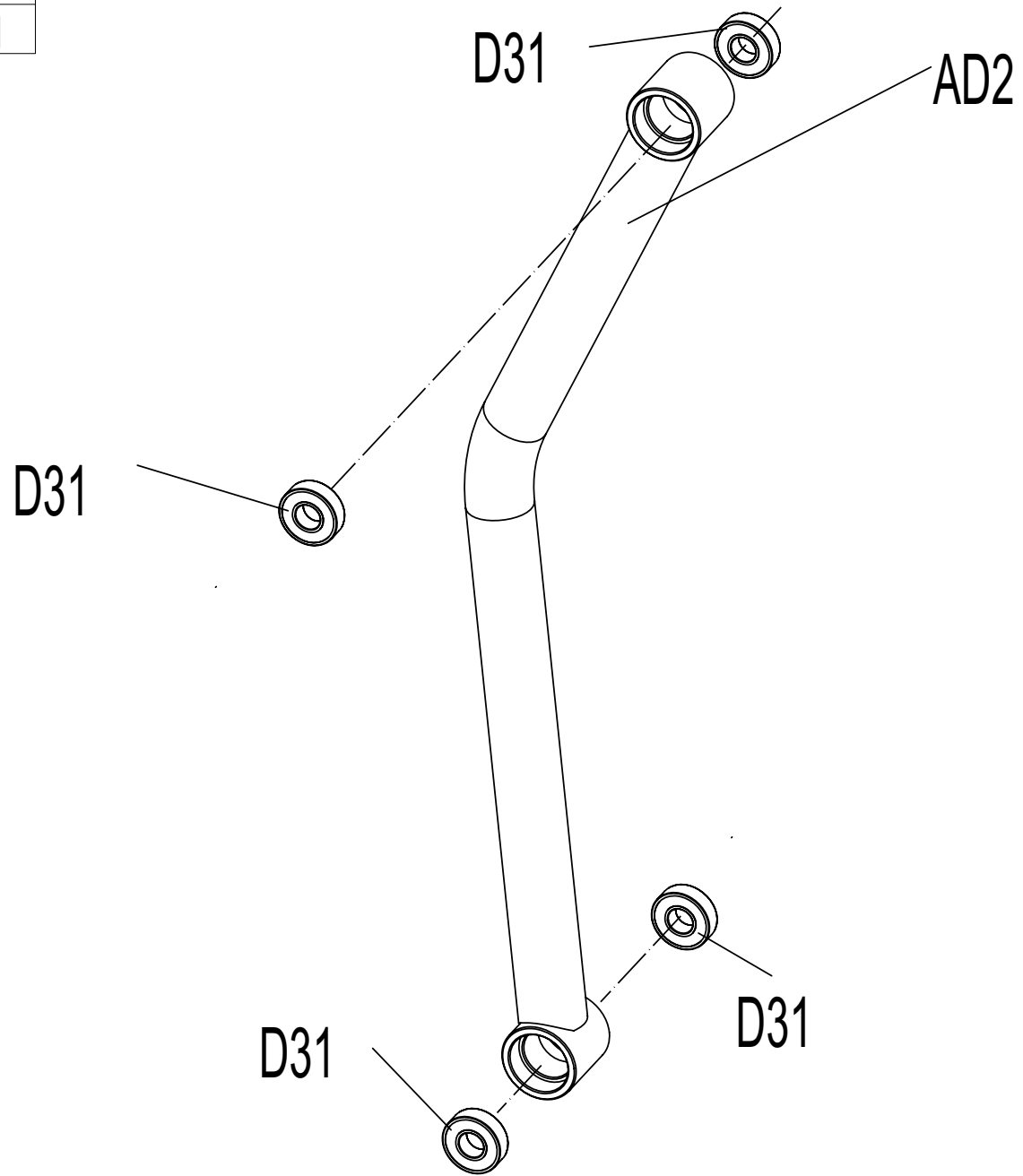


FIG NO			
NAME	Link Arm Set		
FIG NO	1000204508	REV	A
APPROVE	JEFFREY	DATE	03/26/11



ING NO			
NAME	HANDLEBAR SET;L		
NO	1000204517	REV	A
ROVE	JEFFREY	DATE	03/26/11

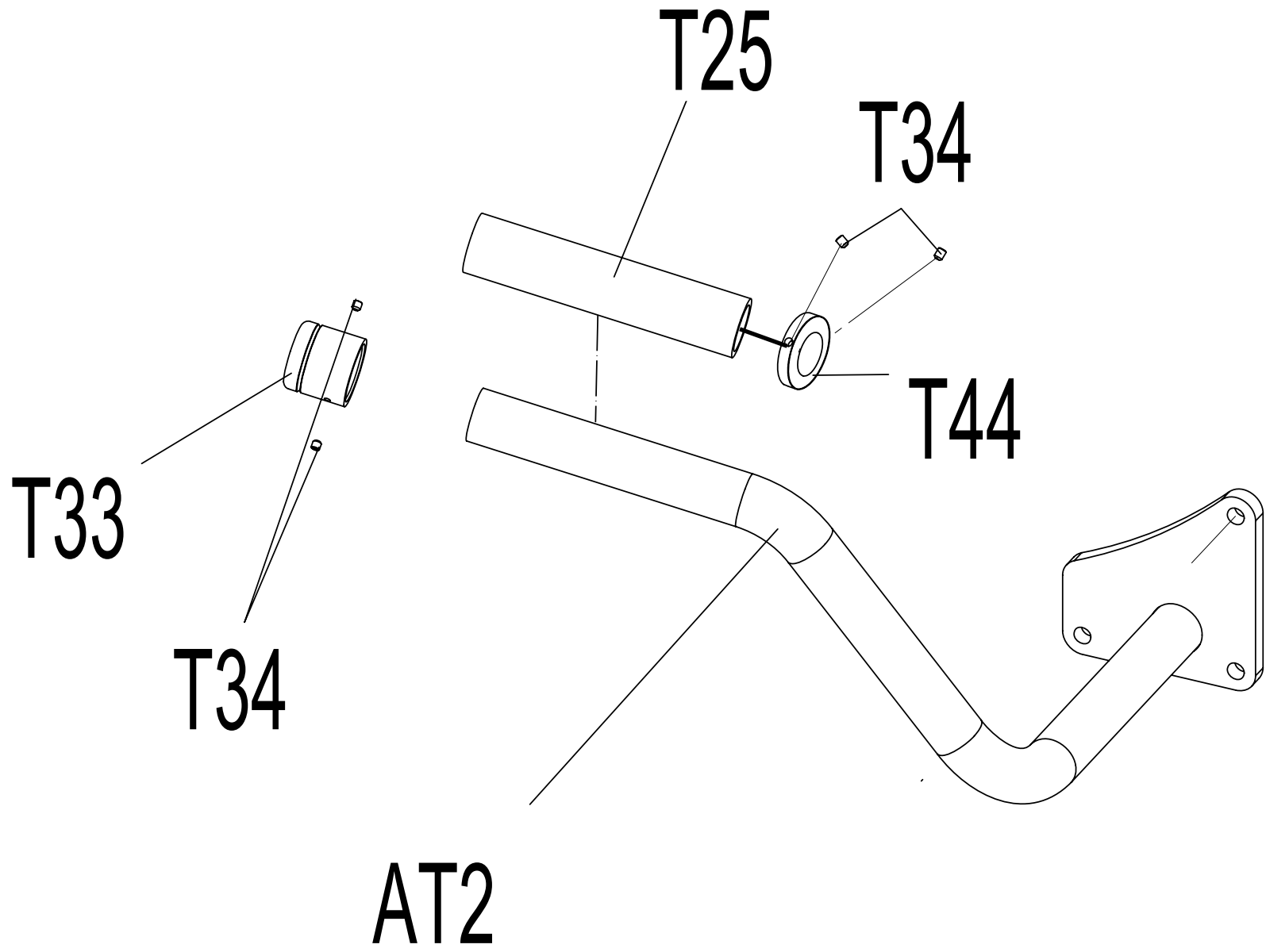


FIG NO			
NAME	HANDLEBAR SET;R		
FIG NO	1000204518	REV	A
APPROVE	JEFFREY	DATE	03/26/11

T33

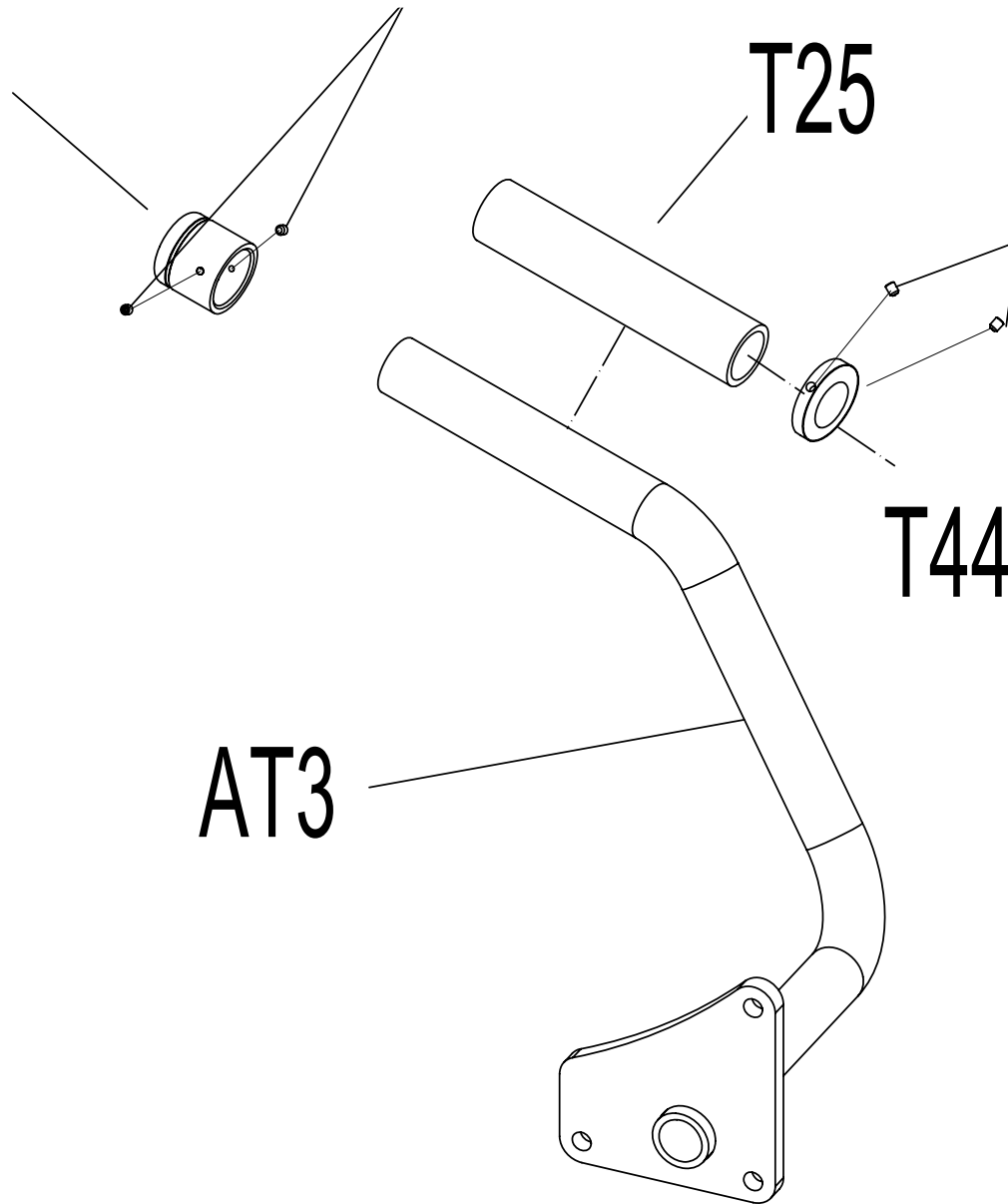
T34

T25

T34

T44

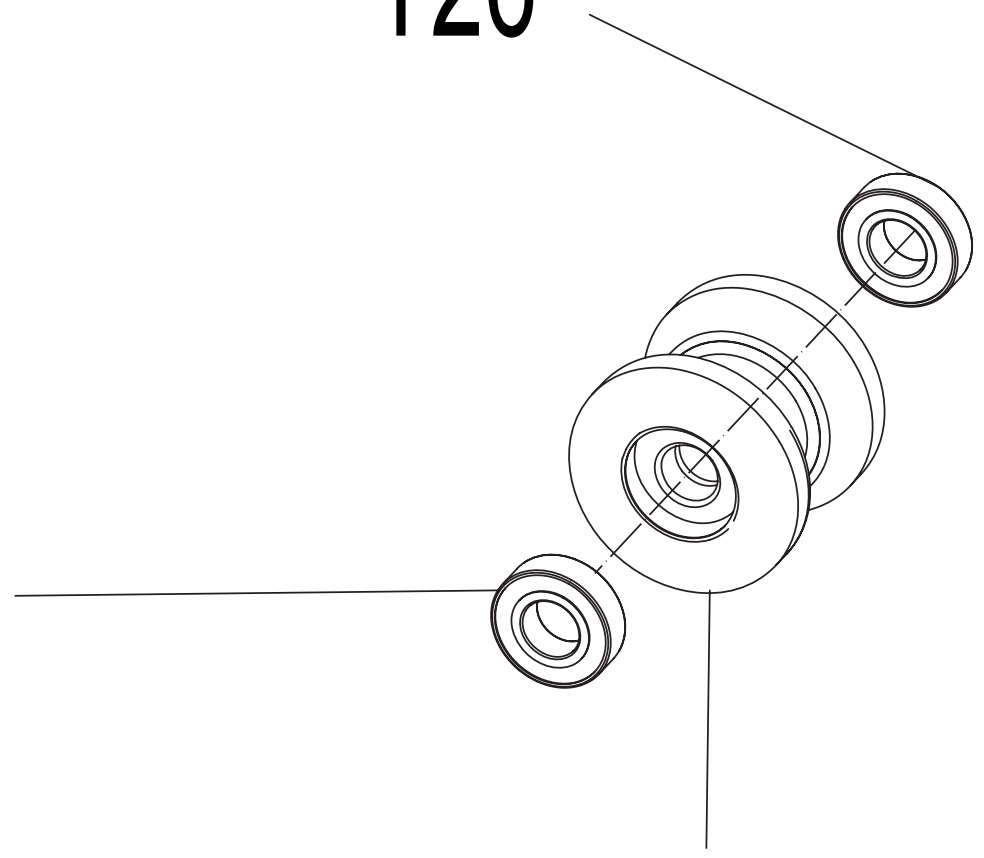
AT3



ING NO			
NAME	Wheel Set:D		
NO		REV	A
ROVE	JEFFREY	DATE	03/26/11

T26

T26



T50

ING NO			
NAME	Wheel Set;U		
NO		REV	A
ROVE	JEFFREY	DATE	03/26/11

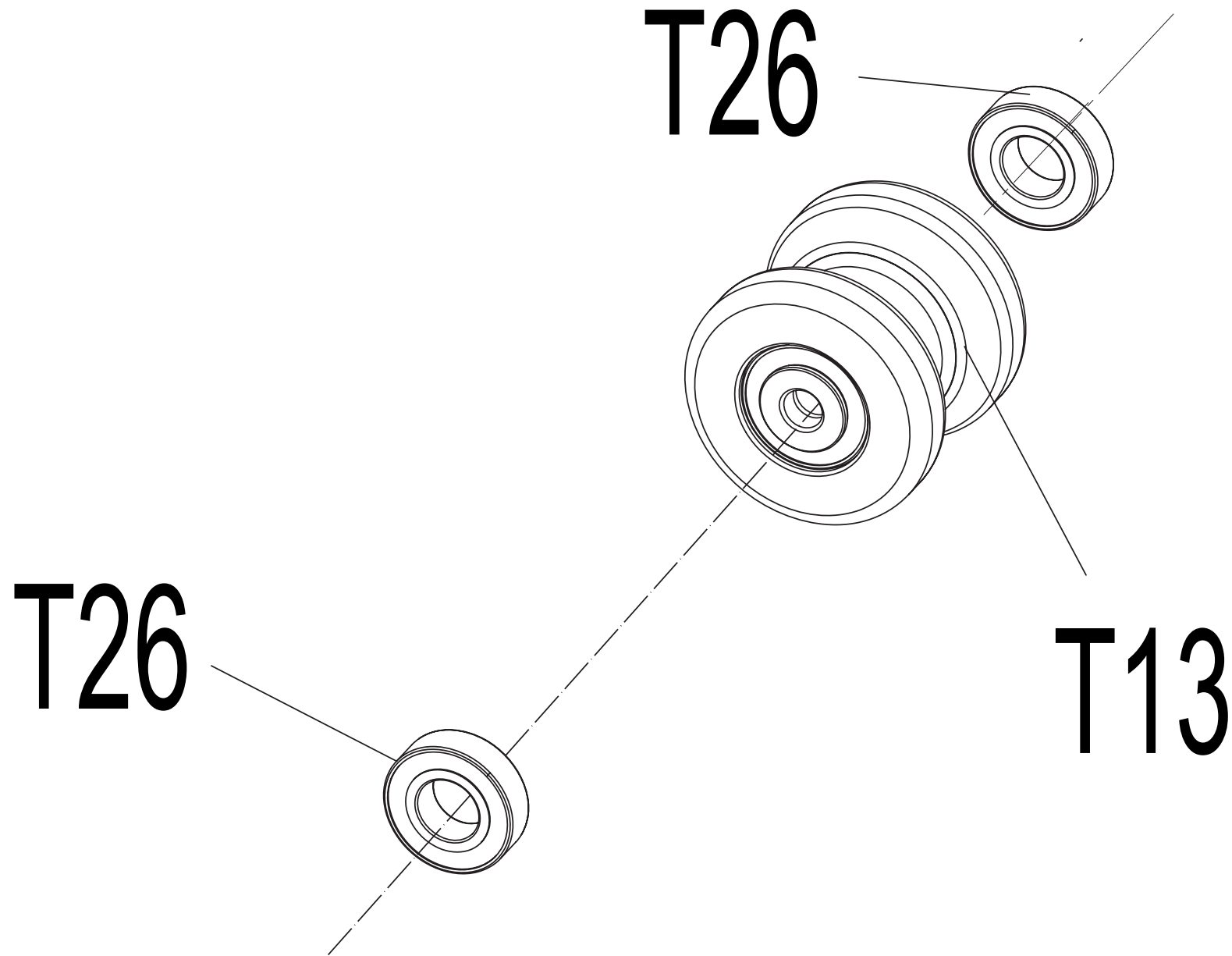


FIG NO			
NAME	Seat Set		
REV NO		REV	A
APPROVE	JEFFREY	DATE	03/26/11

