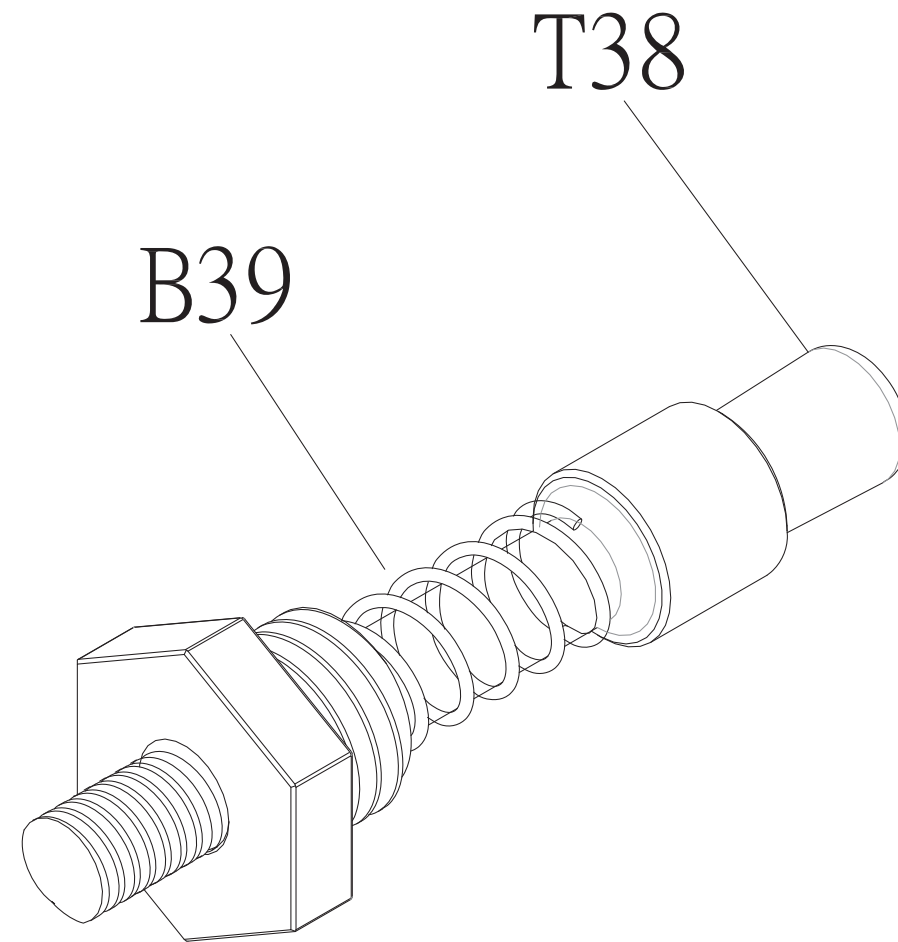
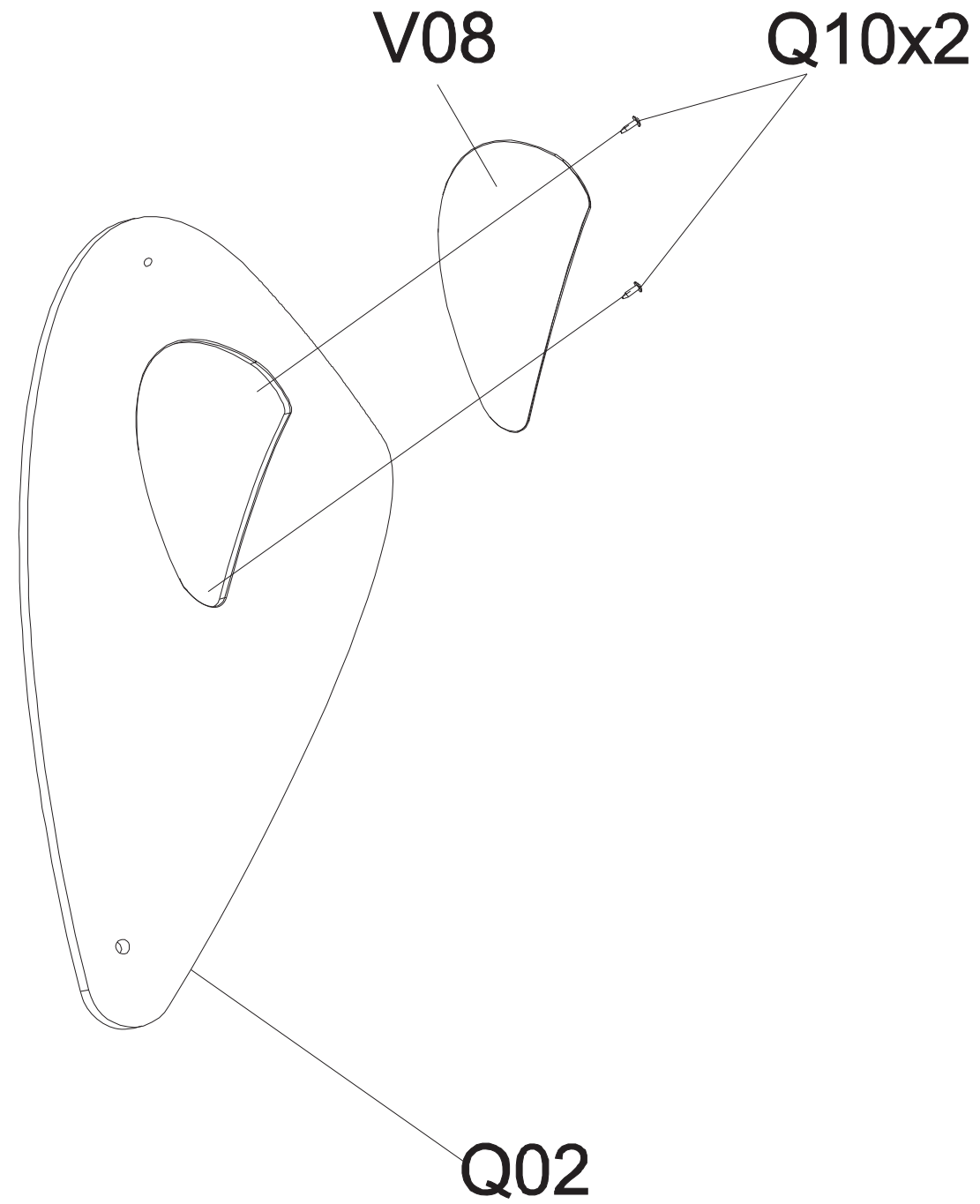


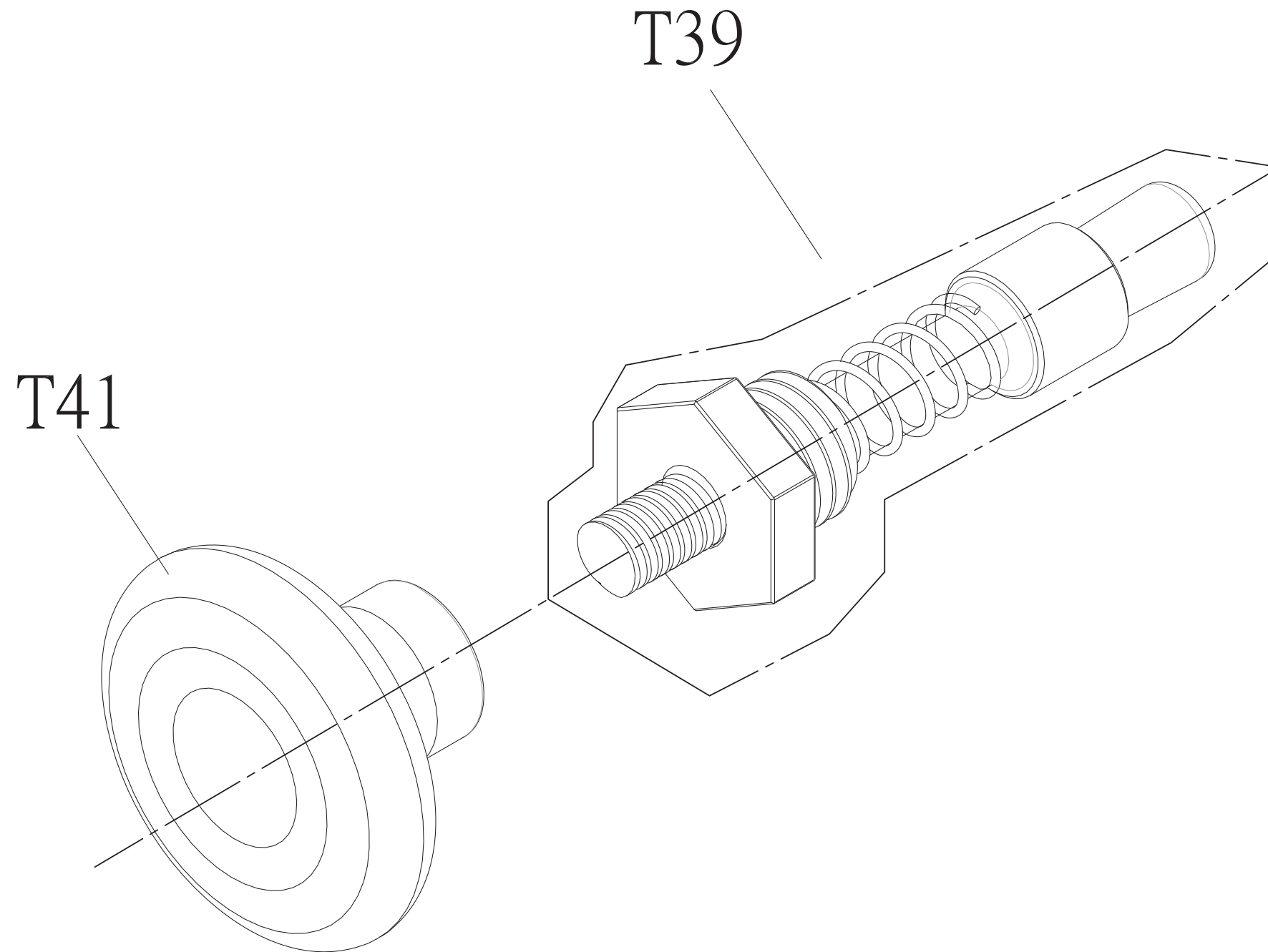
DRAWING NO	
PART NAME	Pin set;SA
PART NO	014791-B
APPROVE	Ares
DATE	2013/03/08



DRAWING NO			
PART NAME	COVER SET;GM11D-KM		
PART NO	085728	REV	A
APPROVE	KNIGHT	DATE	111214

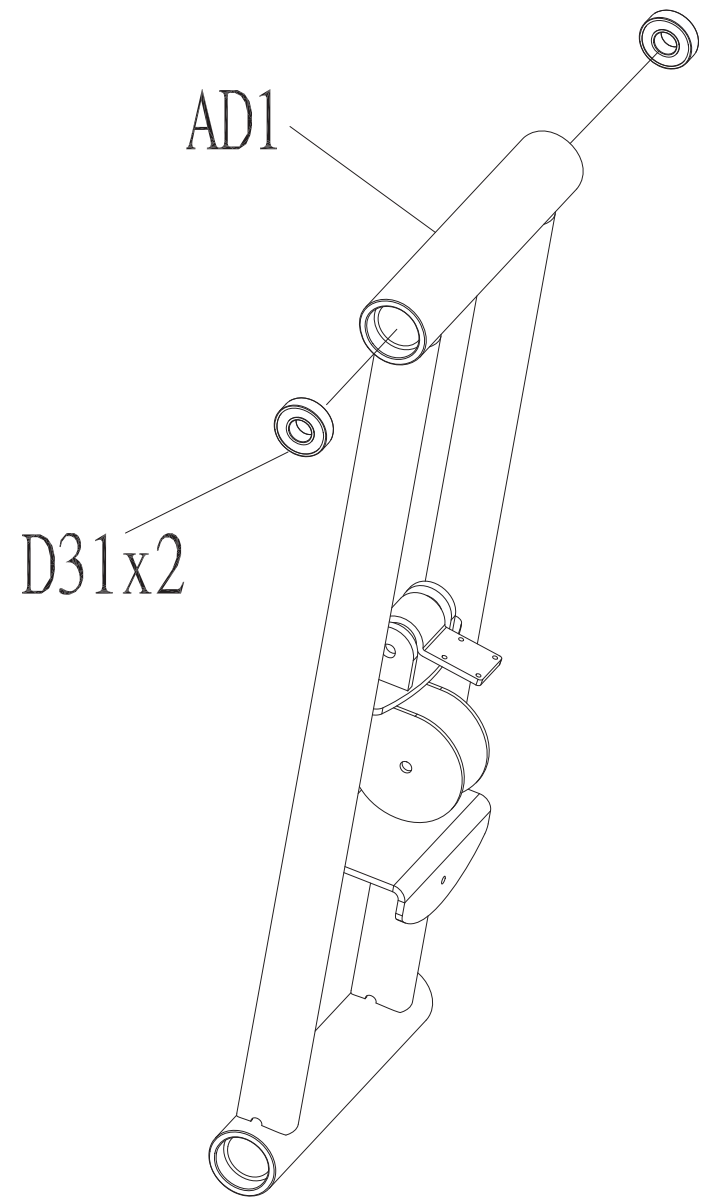


DRAWING NO	
PART NAME	Pin set;SA
PART NO	1000099694
APPROVE	Ares
DATE	2013/03/08



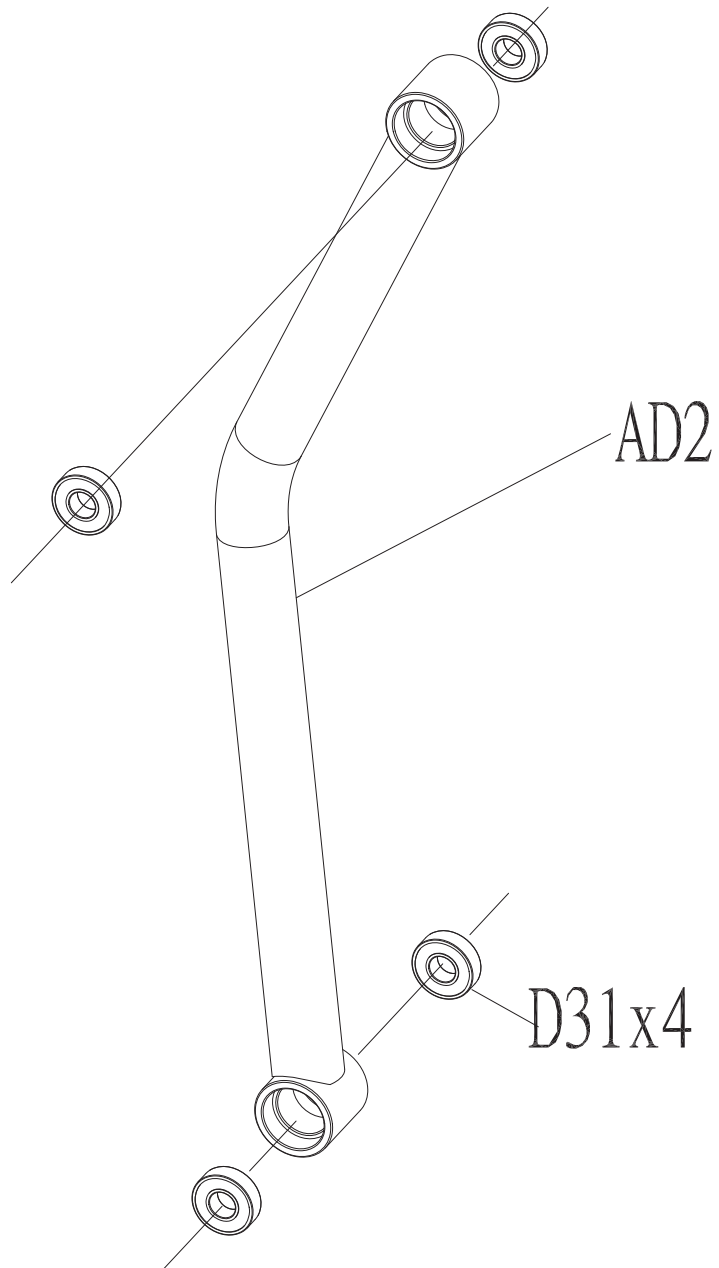
DRAWING NO			
PART NAME	Swivel arm set;GM10B		
PART NO	See chart	REV	A
APPROVE	Ares	DATE	07/24/14

Coulour	Part no.
Default	1000204507
Black Matte	1000319962
Iced Sliver	1000349270



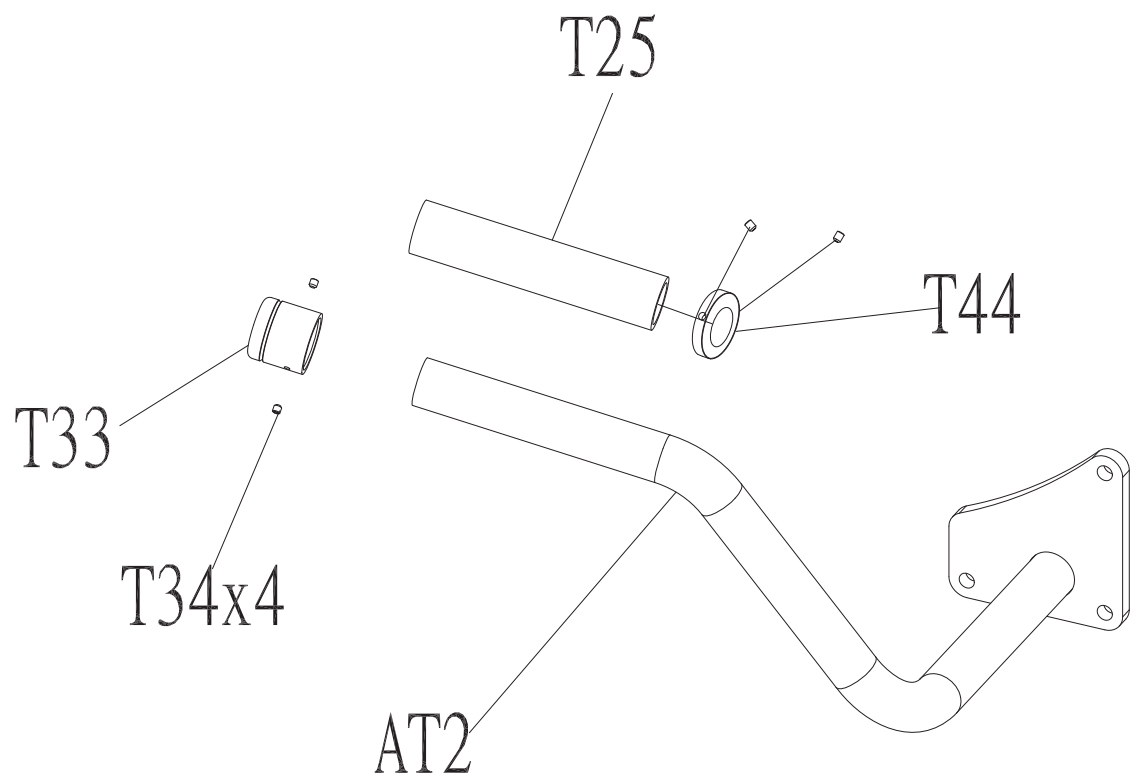
DRAWING NO			
PART NAME	Linkage Tube Set;GM10B		
PART NO	See chart	REV	A
APPROVE	Ares	DATE	07/24/14

Coulour	Part no.
Default	1000204508
Black Matte	1000319963
Iced Sliver	1000349271



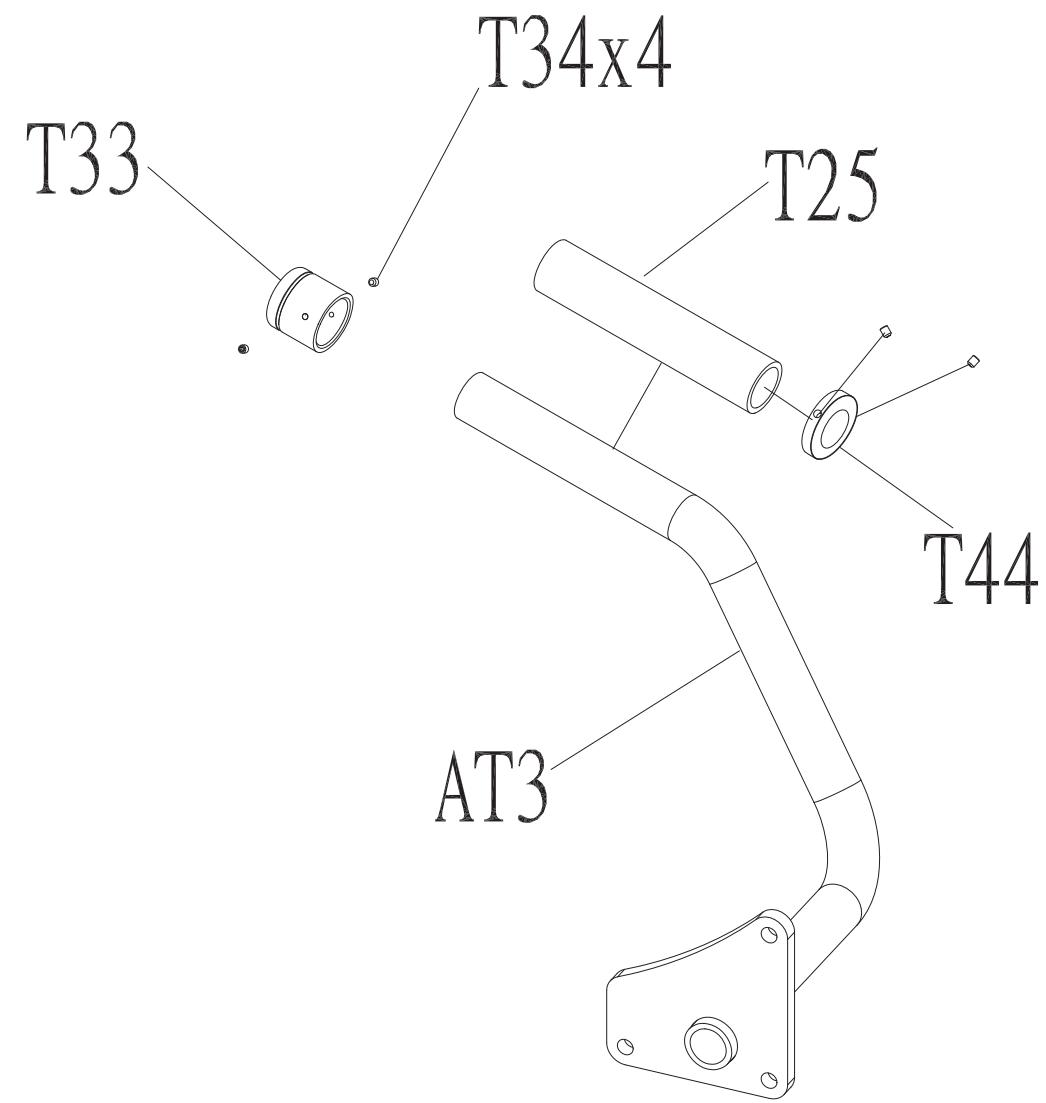
DRAWING NO			
PART NAME	Handle Set;;left;GM10B		
PART NO	See chart	REV	A
APPROVE	Ares	DATE	07/24/14

Coulour	Part no.
Default	1000204517
Black Matte	1000319964
Iced Sliver	1000349272



DRAWING NO			
PART NAME	Handle Set;;right;GM10B		
PART NO	See chart	REV	A
APPROVE	Ares	DATE	07/24/14

Coulour	Part no.
Default	1000204518
Black Matte	1000319965
Iced Sliver	1000349273

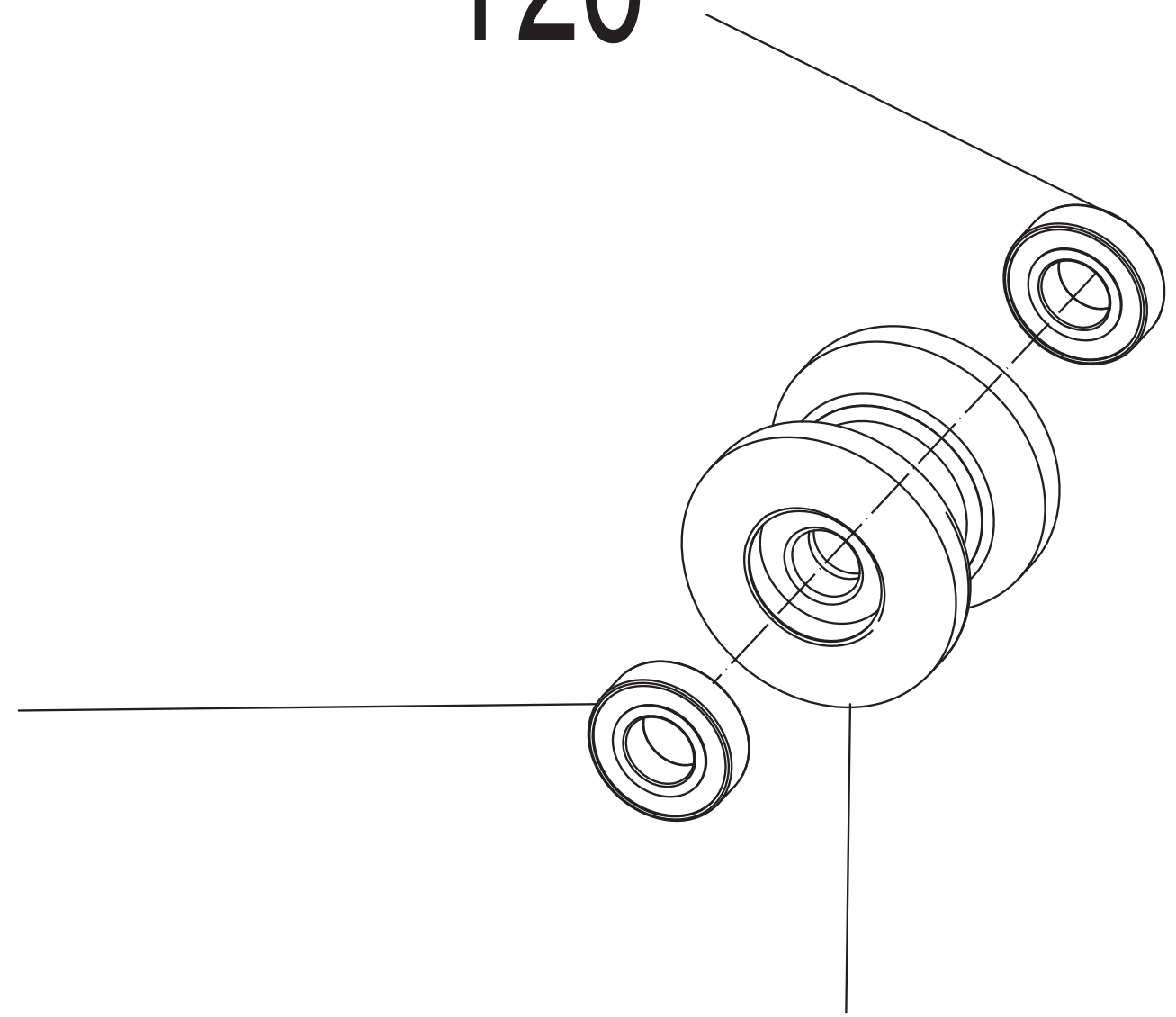


DRAWING NO			
PART NAME	Wheel Set:D		
PART NO	1000204523	REV	A
APPROVE	JEFFREY	DATE	03/26/11

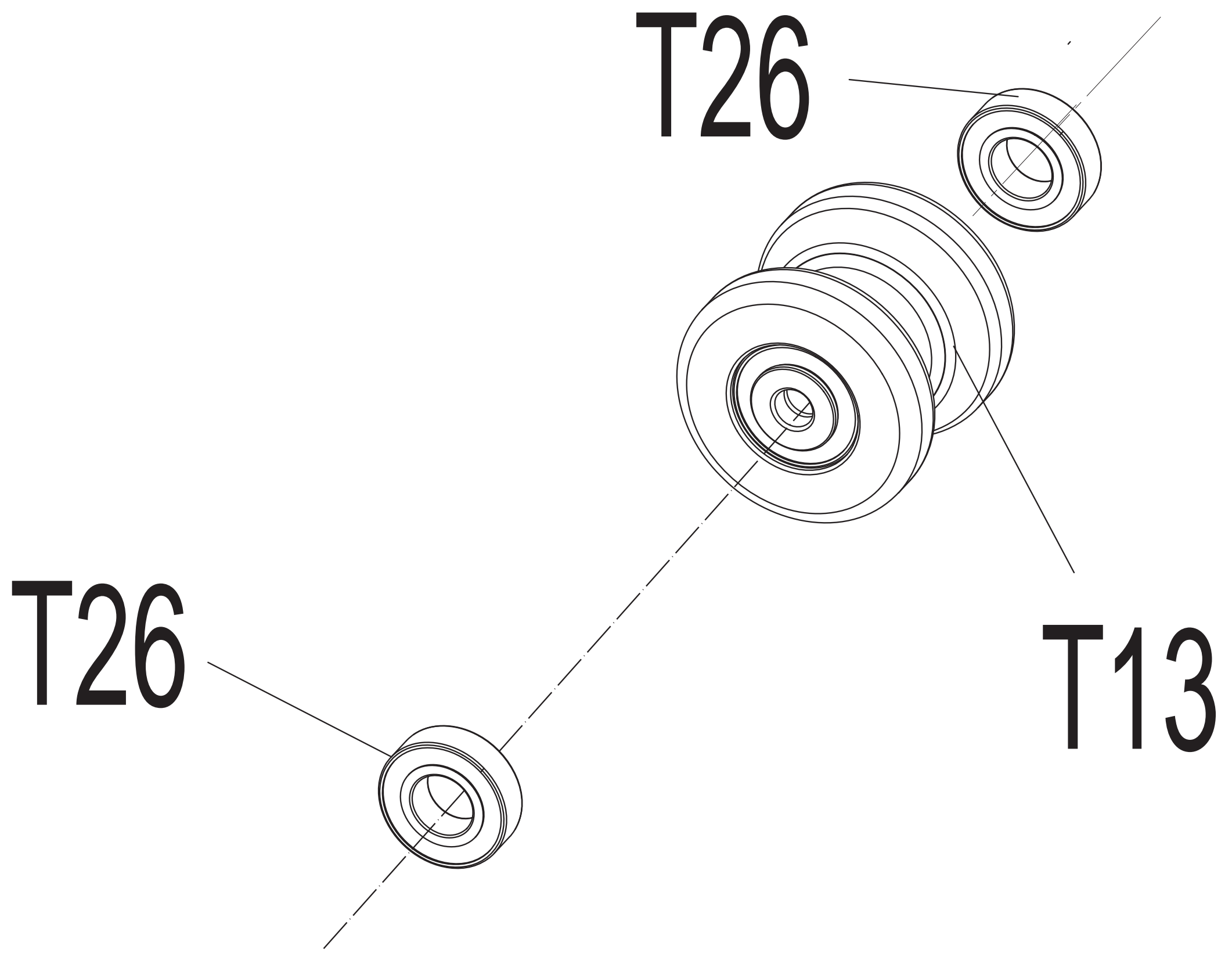
T26

T26

T50

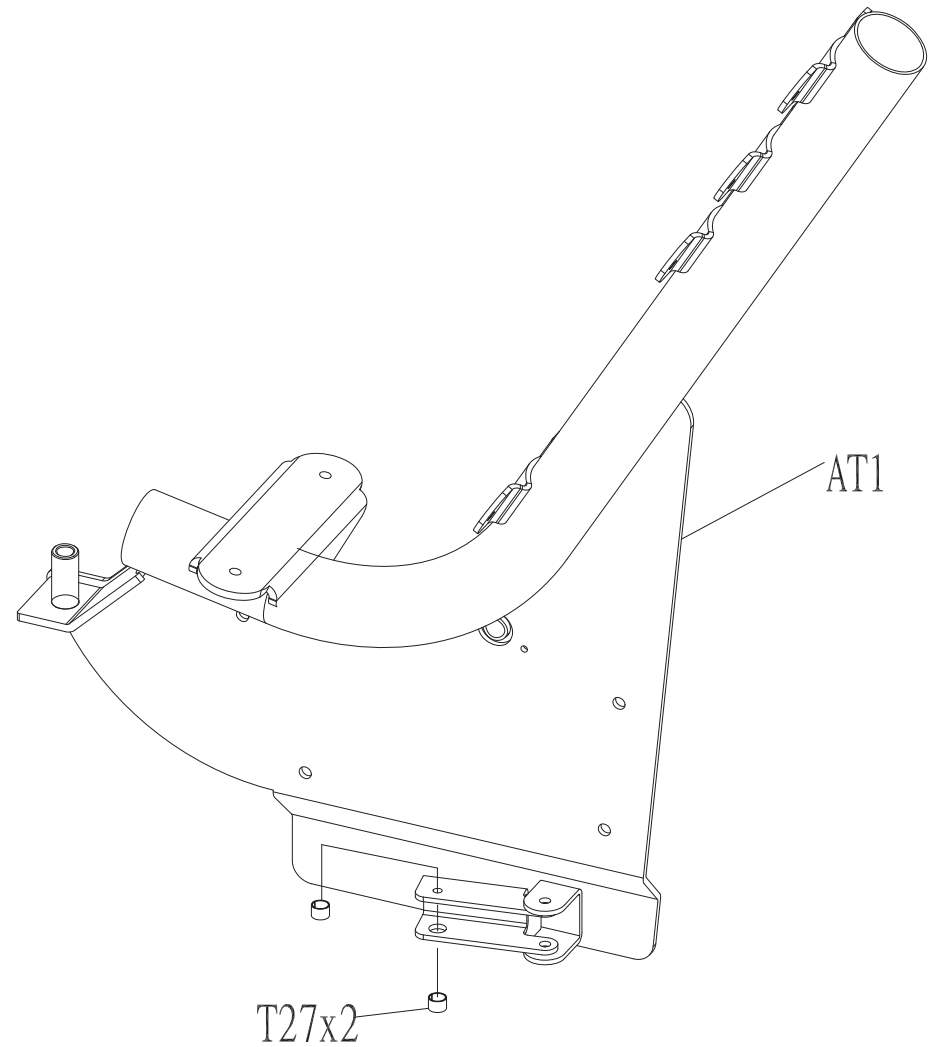


DRAWING NO			
PART NAME	Wheel Set;U		
PART NO	1000204524	REV	A
APPROVE	JEFFREY	DATE	03/26/11

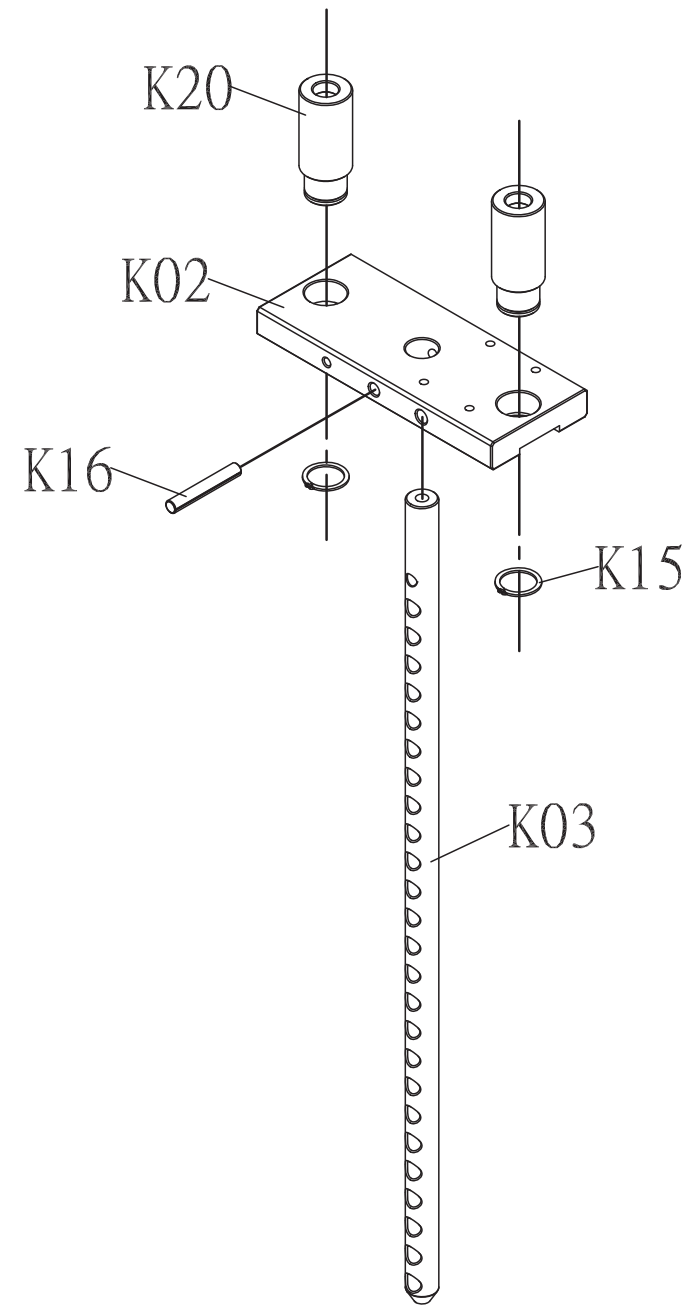


DRAWING NO			
PART NAME	seat set;GM10B;		
PART NO	See chart	REV	A
APPROVE	Ares	DATE	07/24/14

Coulour	Part no.
Default	1000215903
Black Matte	1000319966
Iced Sliver	1000349274



DRAWING NO	
PART NAME	Up Weight Plate Set
PART NO	1000318299
APPROVE	Ares
DATE	2013/07/15



DRAWING NO			
PART NAME	Frame Set;GM10B;;Service		
PART NO	See chart	REV	A
APPROVE	Ares	DATE	07/24/14

Coulour	Part no.
Default	1000204500
Black Matte	1000319961
Iced Sliver	1000349269

