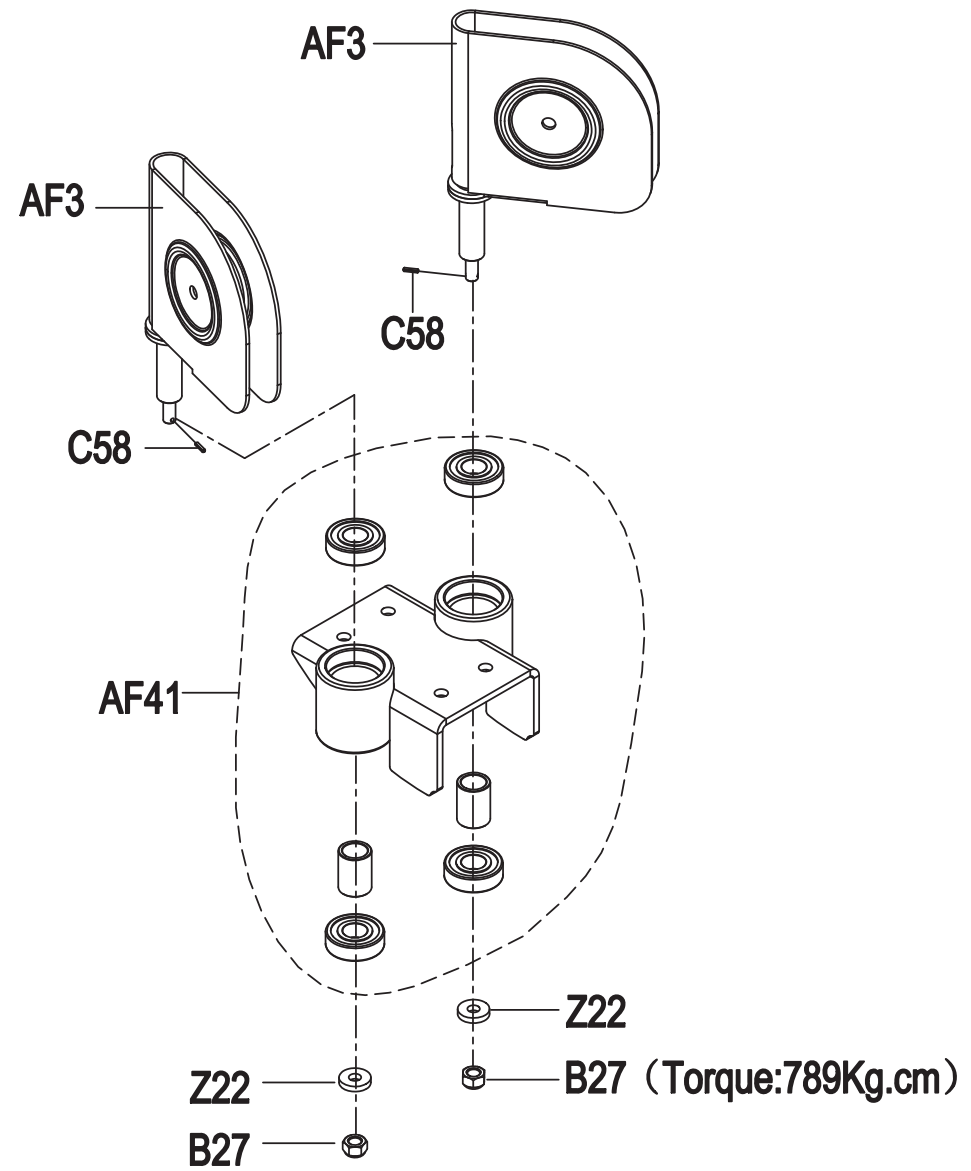


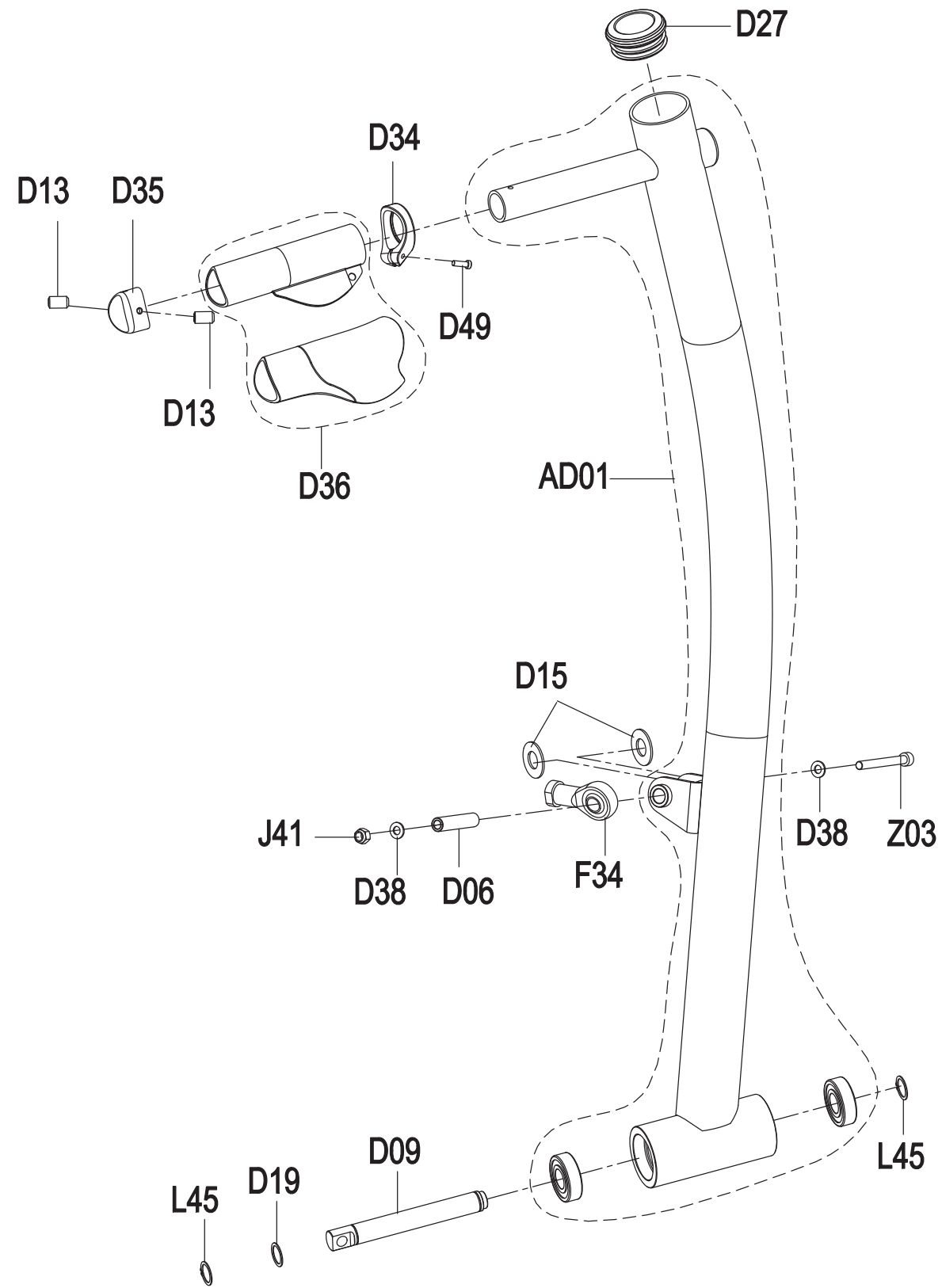
DRAWING NO	GM118-SF01		
PART NAME	Sliding Pulley Set;Semi-Assy		
PART NO	See Chart		A
APPROVE	BILL	DATE	11.01.2017

Part NO.	Color
1000416167	Iced Sliver
1000416168	Platinum
1000416169	Polarized Titanium
1000416171	Lace White
1000416172	Pearl White
1000416173	Mat Black
1000416174	Black Glossy



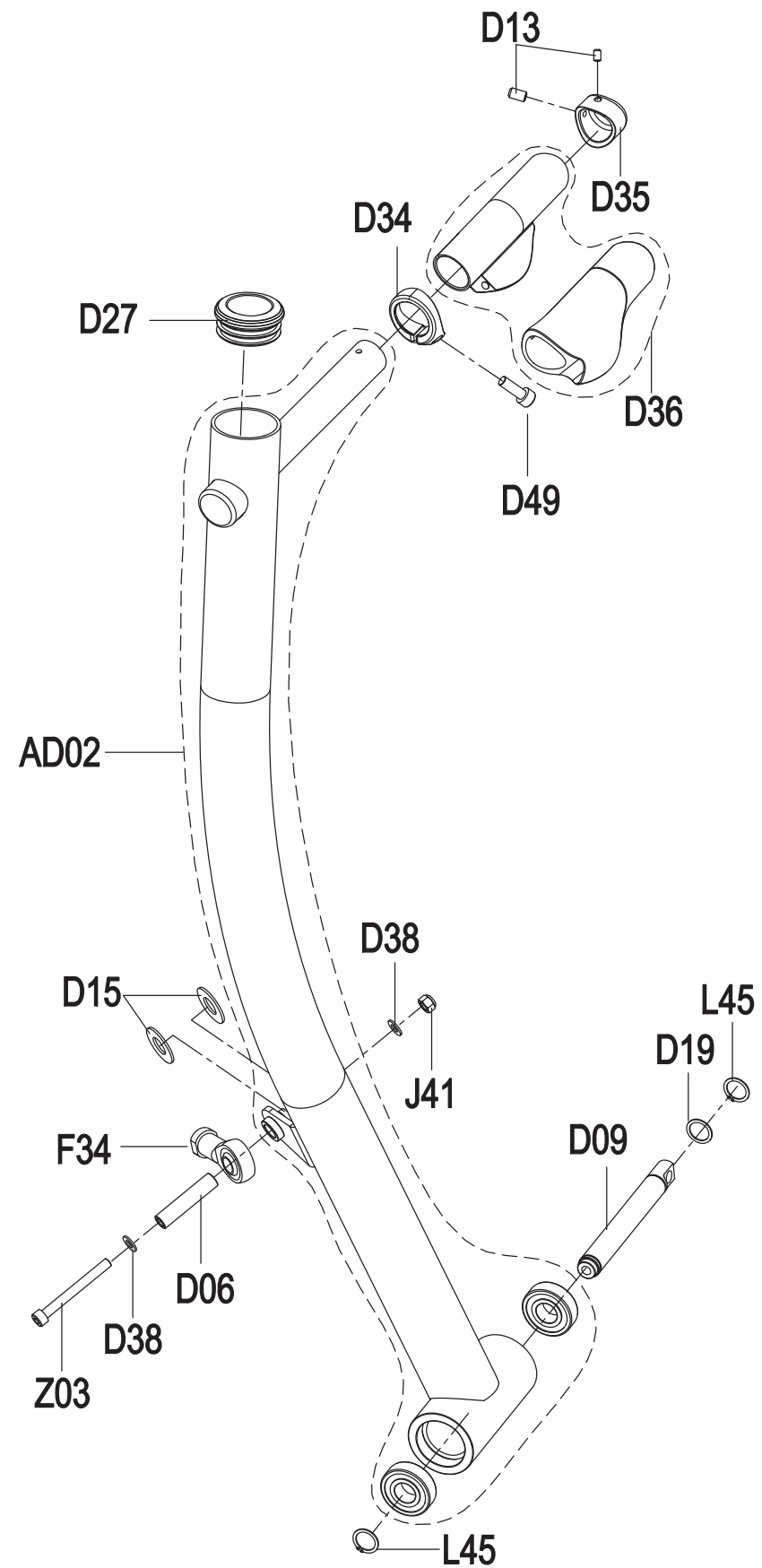
DRAWING NO	GM118-SF02		
PART NAME	Pedal Arm set;Semi-Assy;left		
PART NO	See Chart		A
APPROVE	BILL	DATE	11.01.2017

Part NO.	Color
1000416228	Iced Sliver
1000416229	Platinum
1000416230	Polarized Titanium
1000416232	Lace White
1000416233	Pearl White
1000416235	Mat Black
1000416236	Black Glossy



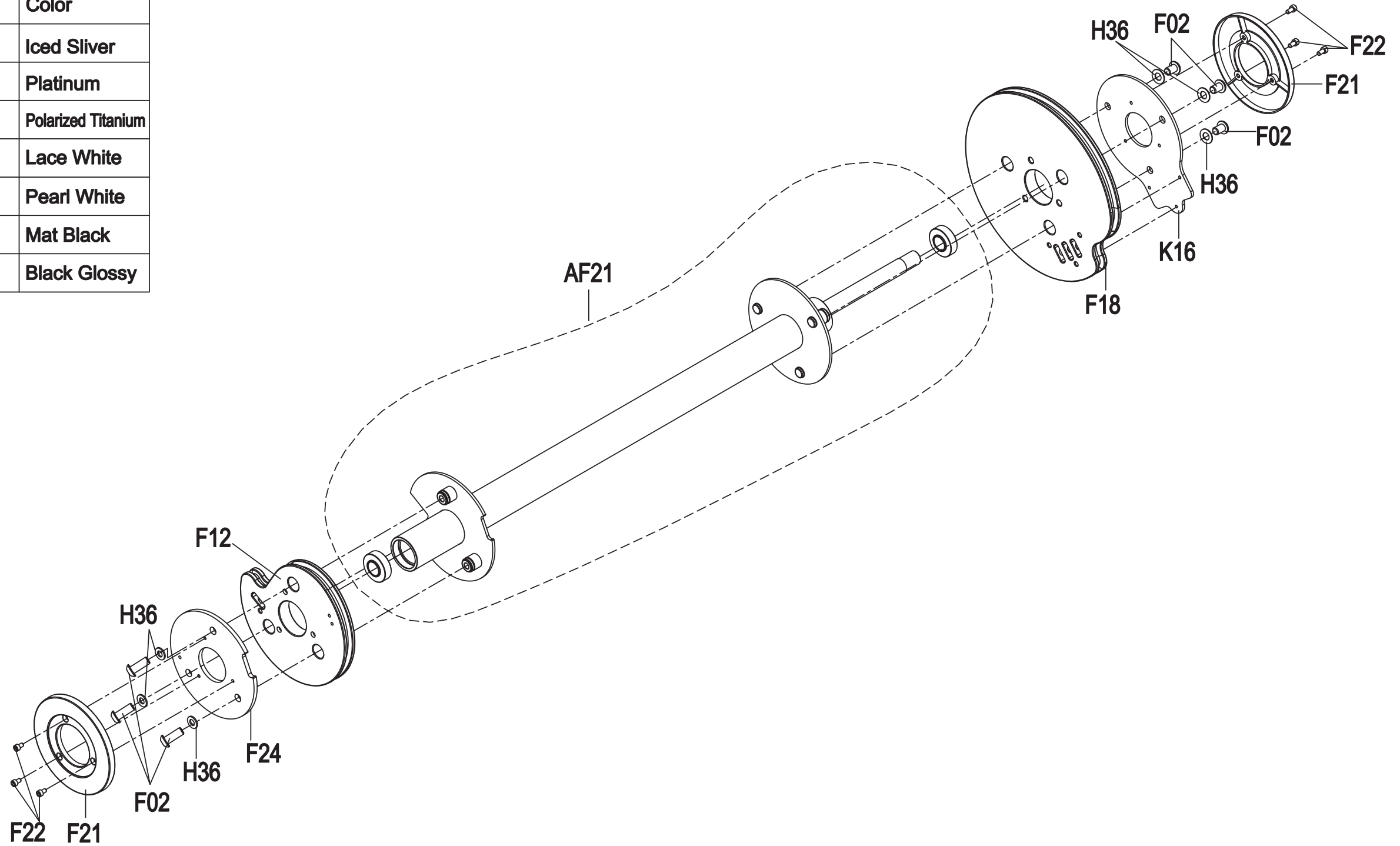
DRAWING NO	GM118-SF03		
PART NAME	Pedal Arm set;Semi-Assy;right		
PART NO	See Chart		A
APPROVE	BILL	DATE	11.01.2017

Part NO.	Color
1000416250	Iced Sliver
1000416261	Platinum
1000416262	Polarized Titanium
1000416263	Lace White
1000416264	Pearl White
1000416265	Mat Black
1000416266	Black Glossy



DRAWING NO	GM118-SF04		
PART NAME	Swivel Axle Set;Semi-Assy		
PART NO	See Chart		A
APPROVE	BILL	DATE	11.01.2017

Part NO.	Color
1000416274	Iced Sliver
1000416275	Platinum
1000416276	Polarized Titanium
1000416277	Lace White
1000416278	Pearl White
1000416279	Mat Black
1000416280	Black Glossy



DRAWING NO	GM118-SF05		
PART NAME	Grip Set ; Assembling		
PART NO	See Chart	A	
APPROVE	BILL	DATE	11.01.2017

Part NO.	Color
1000416338	Iced Sliver
1000416339	Platinum
1000416340	Polarized Titanium
1000416341	Lace White
1000416342	Pearl White
1000416343	Mat Black
1000416344	Black Glossy

