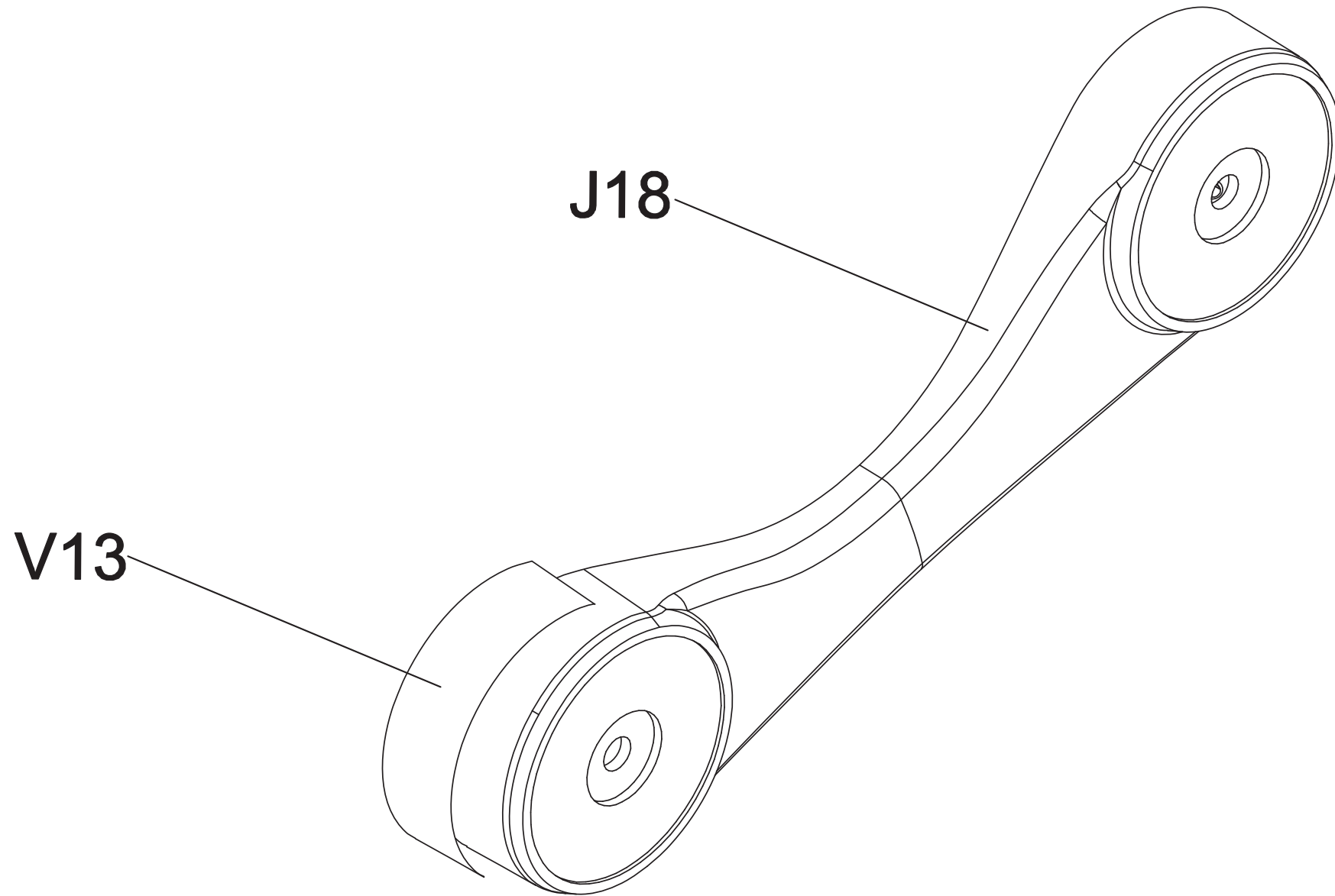
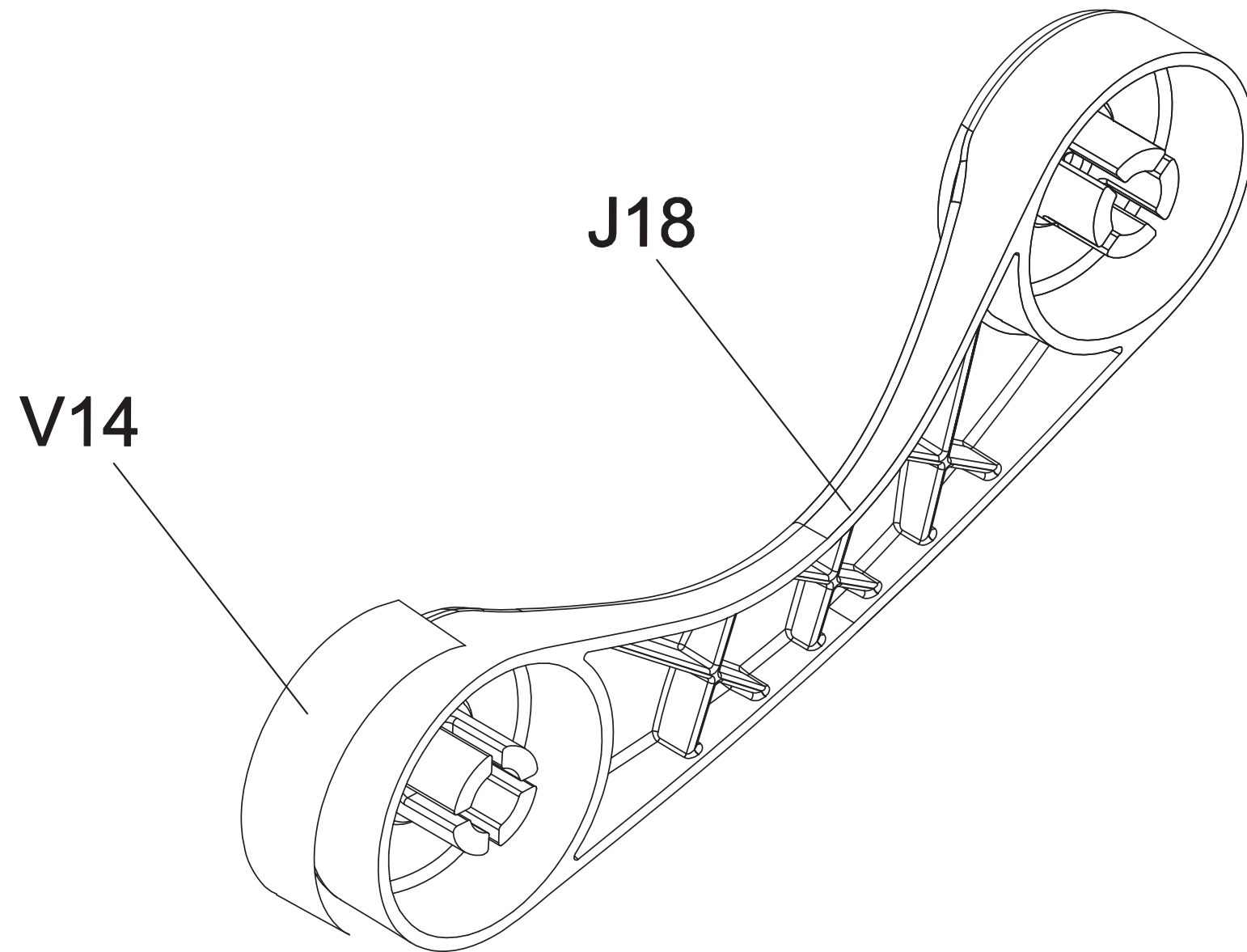




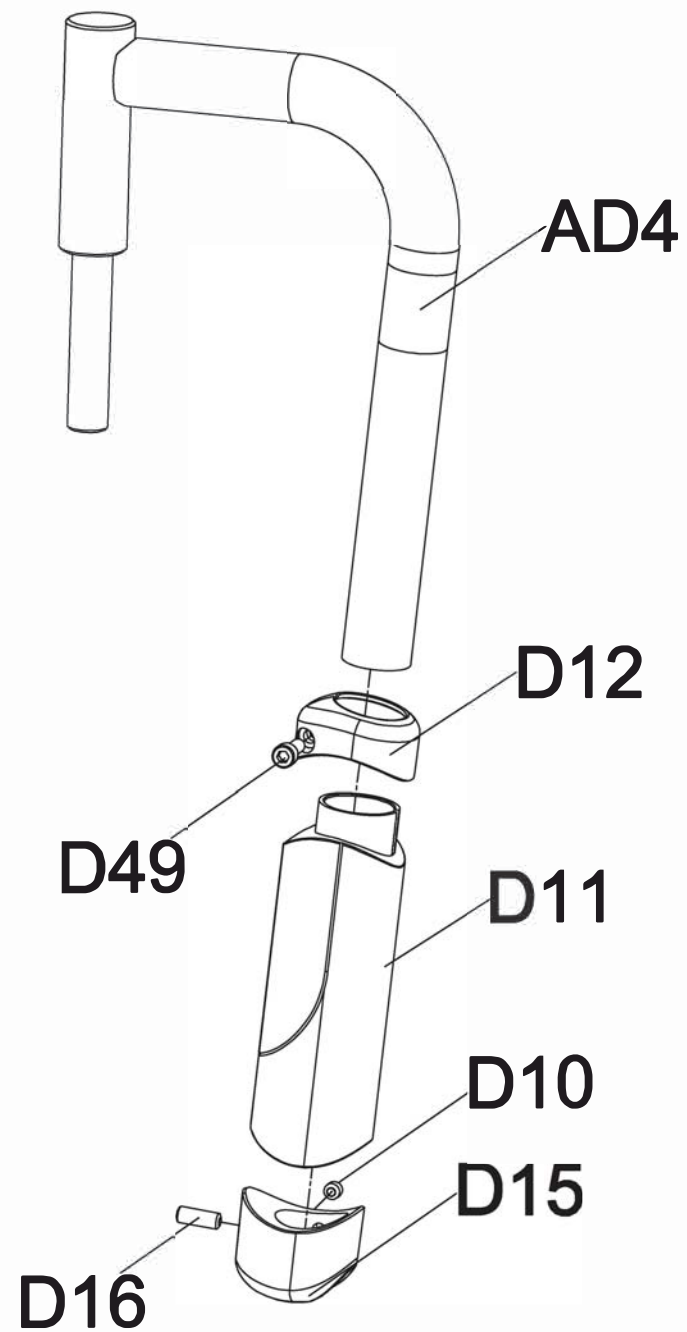
DRAWING NO	GM124-SF04		
PART NAME	Seat Connect Rod;Right Down		
PART NO	1000413267	REV	A
APPROVE	Jo	DATE	10152017



DRAWING NO	GM124-SF05		
PART NAME	Seat Connect Rod;Lift Down		
PART NO	1000413268	REV	A
APPROVE	Jo	DATE	10152017



DRAWING NO	GM58-SF01		
PART NAME	Handle set		
PART NO	See Chart	REV	A
APPROVE	Jo	DATE	12112017



Part NO.	Color
1000415561	Iced Sliver
1000415563	Platinum
1000415809	Polarized Titanium
1000415810	Lace White
1000415811	Pearl White
1000415812	Black Matte
1000415813	BlackGlossy