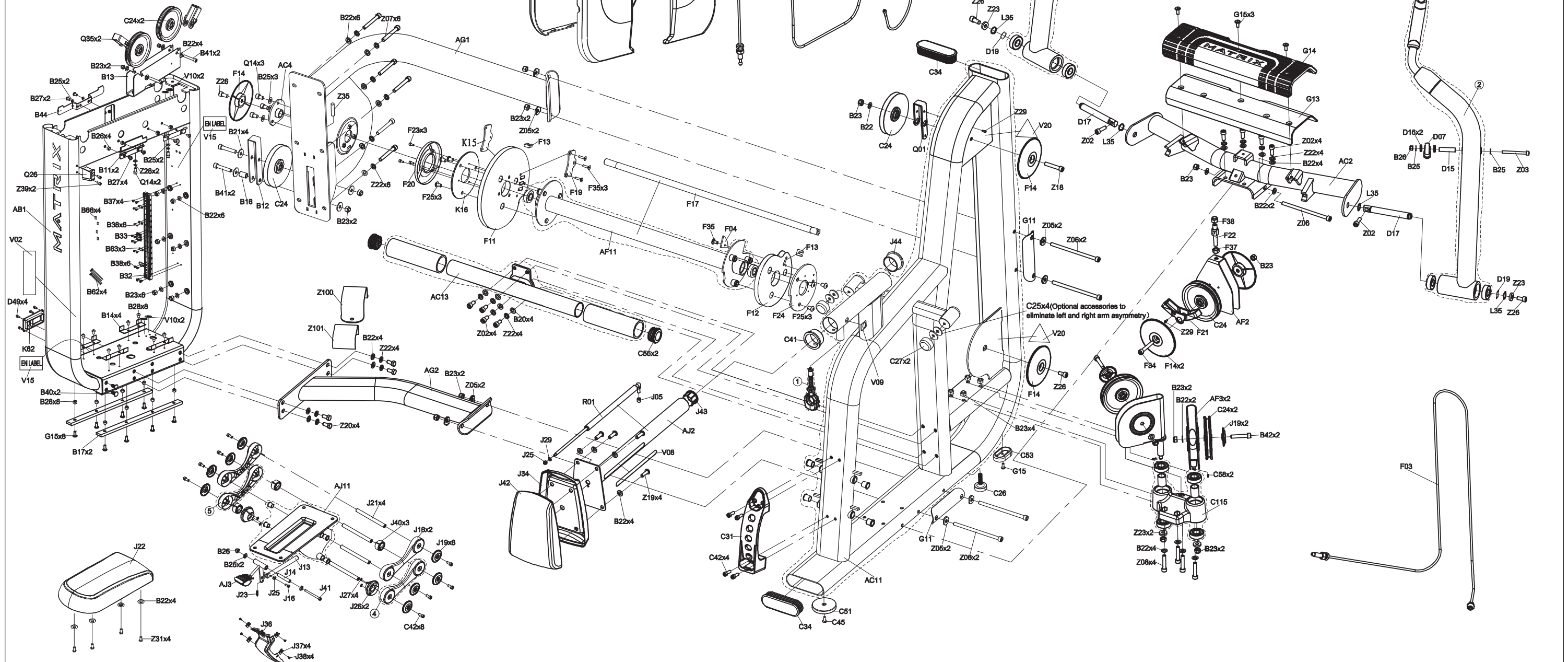
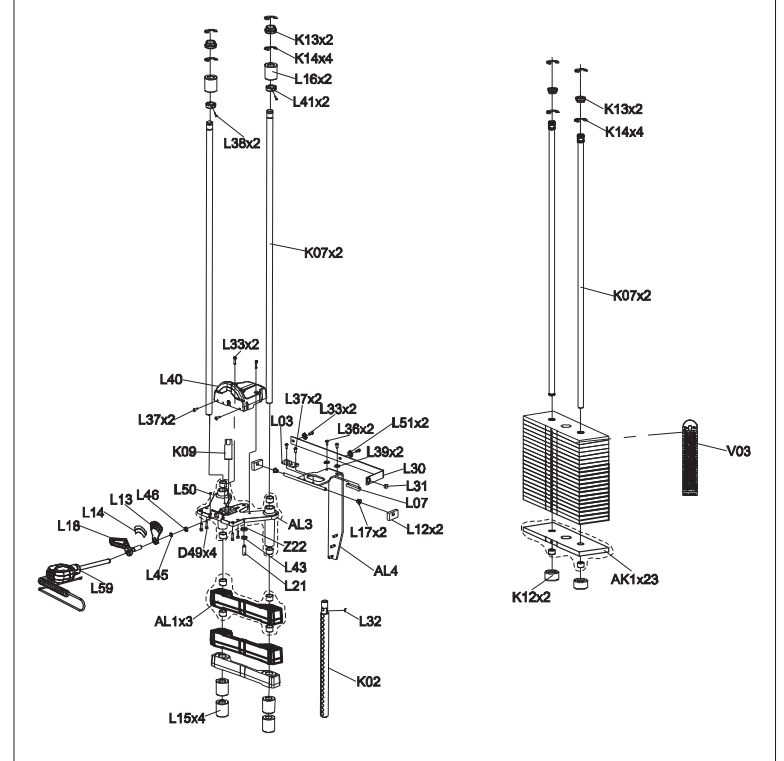
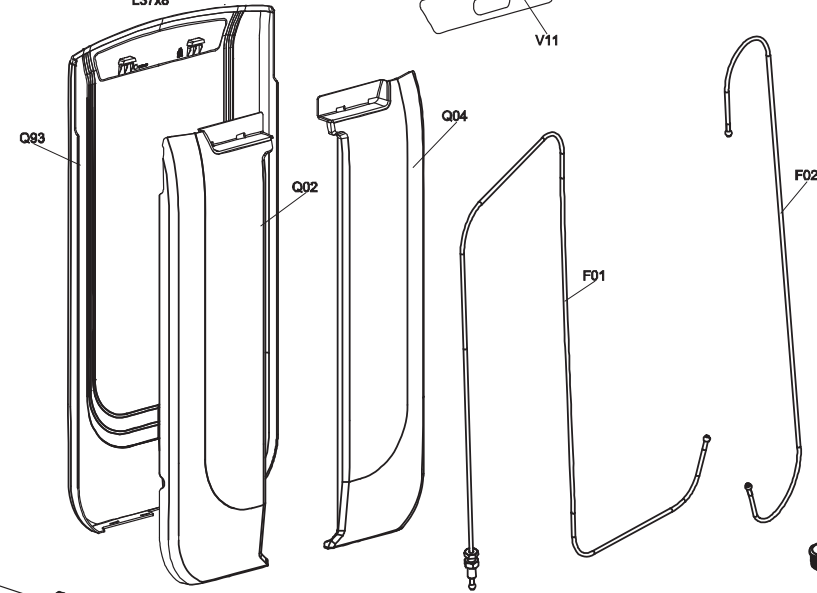
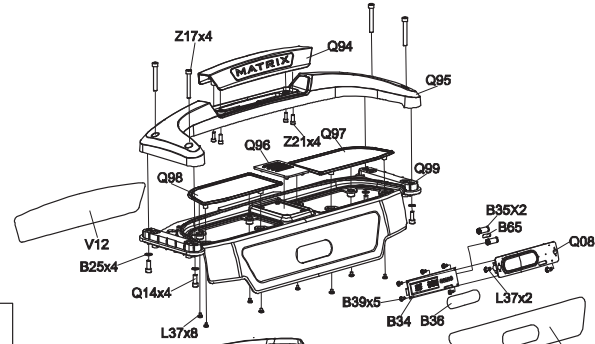
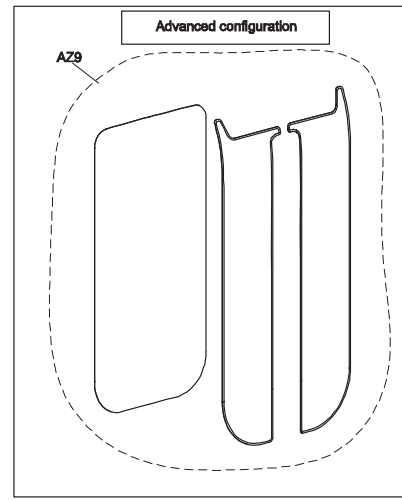
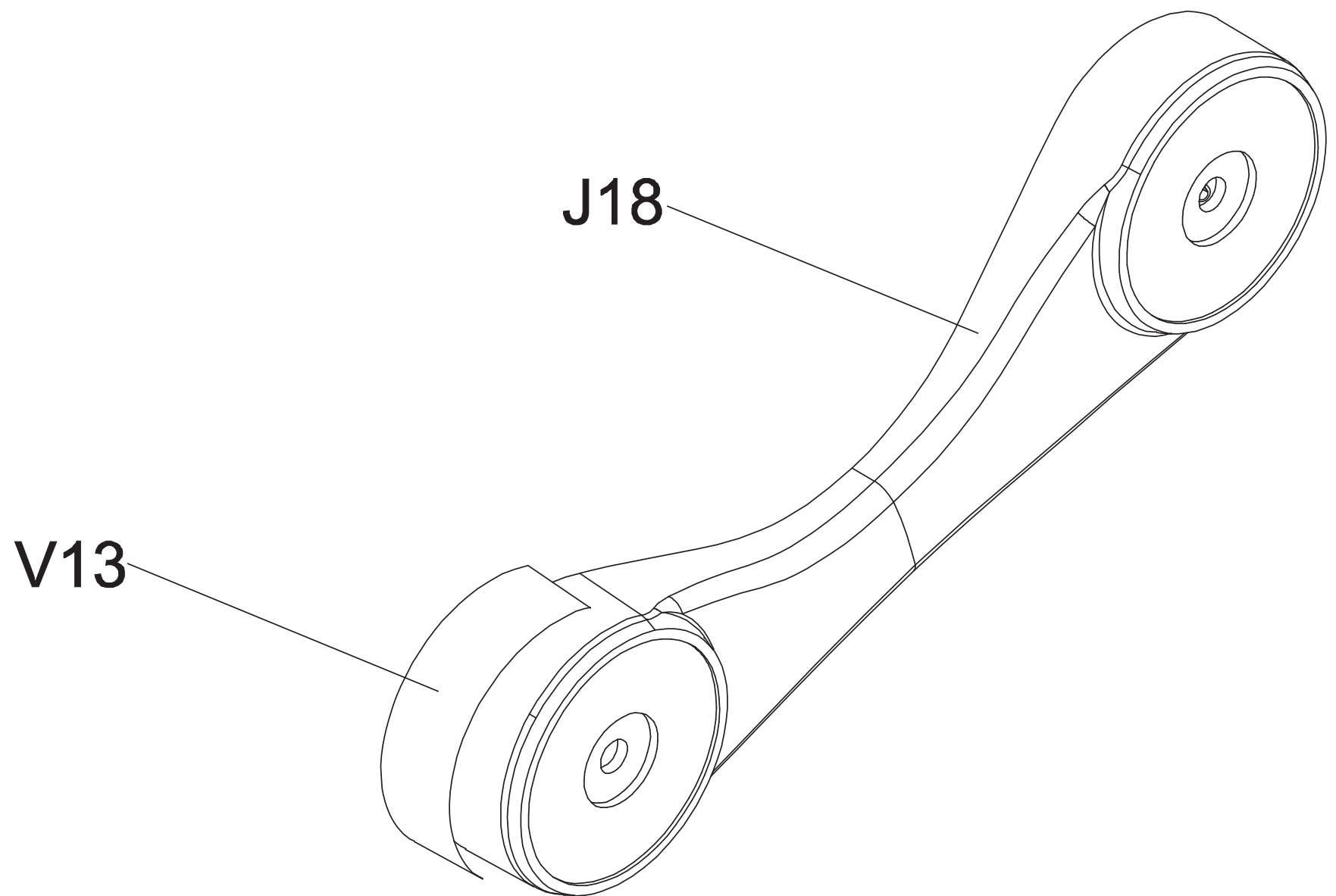


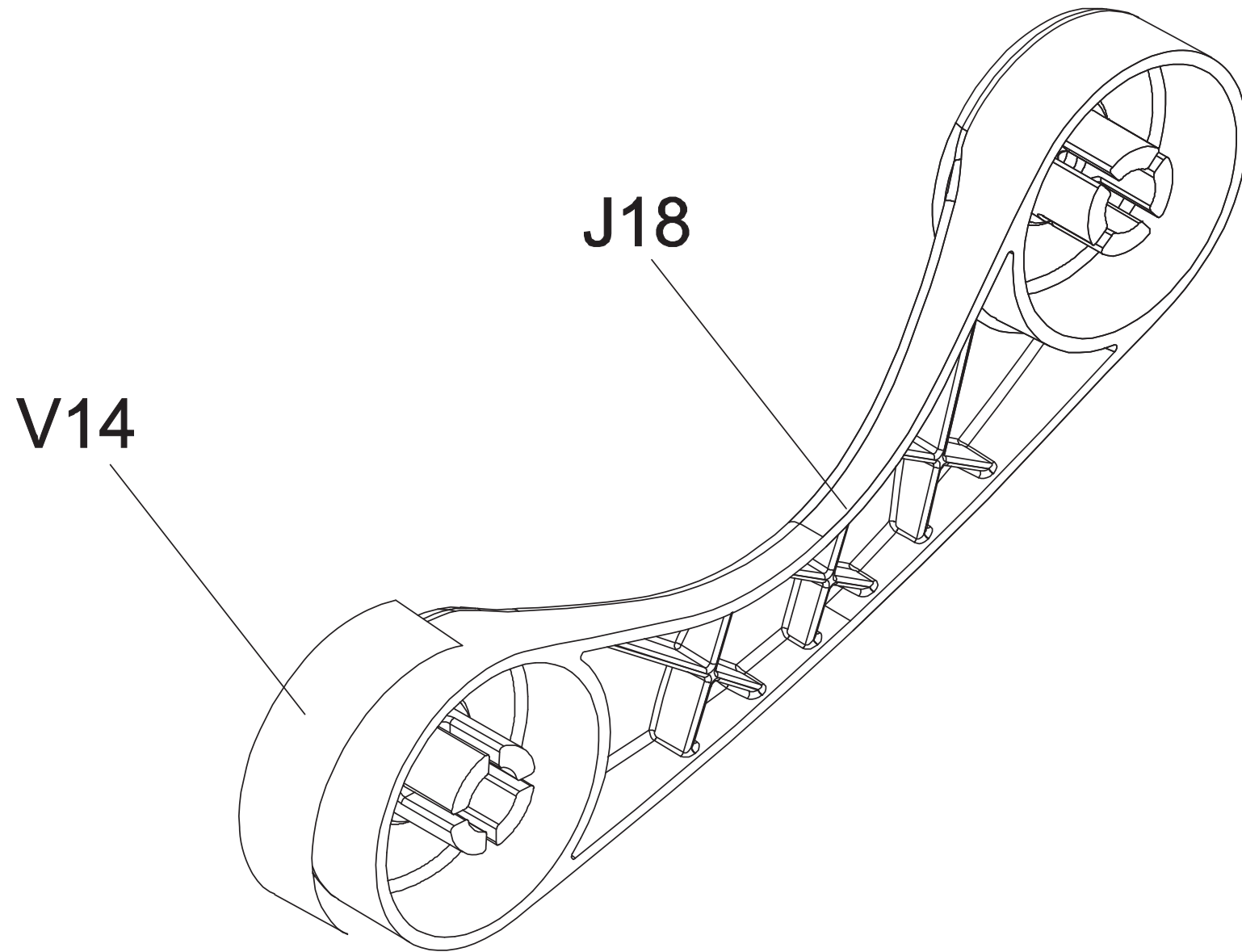
DRAWING NO	PGM112-KM		
PART NAME	Explosive Diagram		
PART NO	MGM0629-00	REV	C
APPROVE	Abby	DATE	10.19.2019



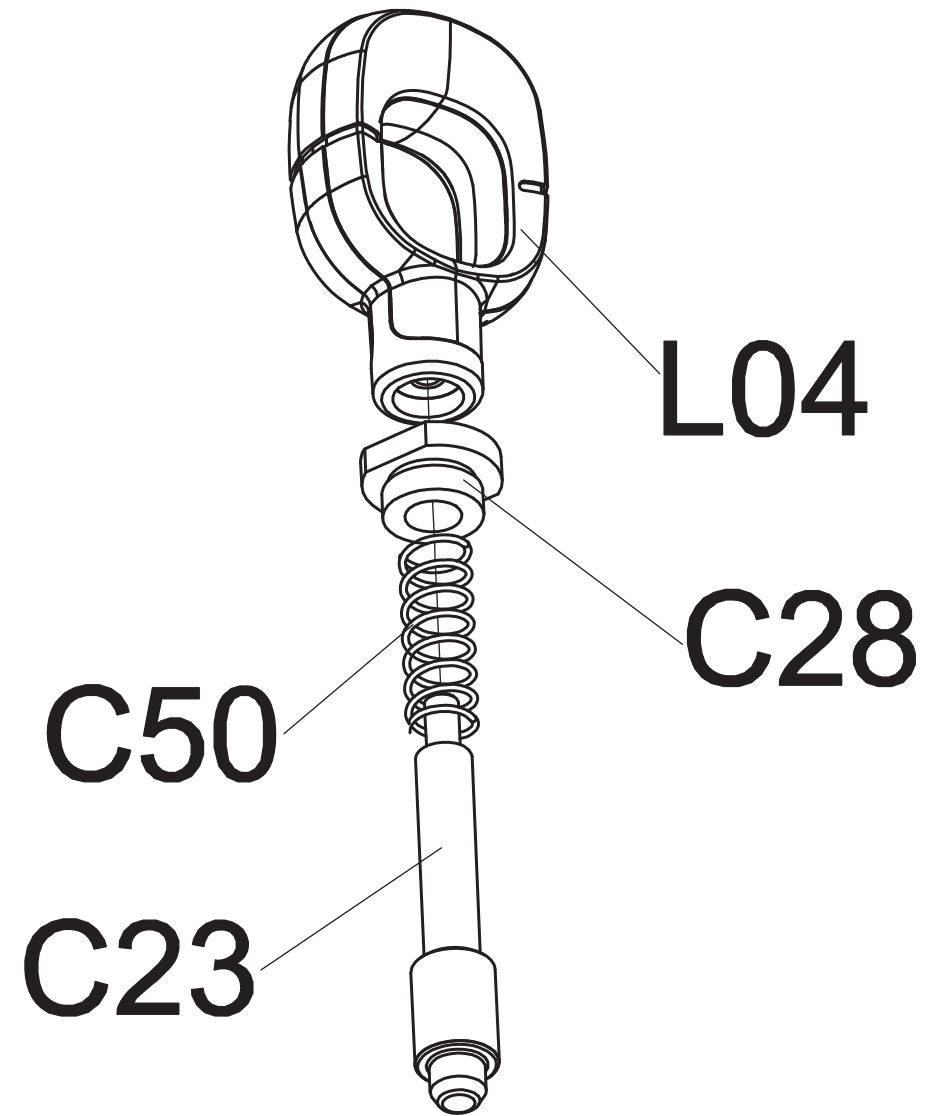
DRAWING NO	GM124C-SF04		
PART NAME	Seat Connect Rod;Right Down		
PART NO	1000413267	REV	A
APPROVE	HaoQingShan	DATE	09032018



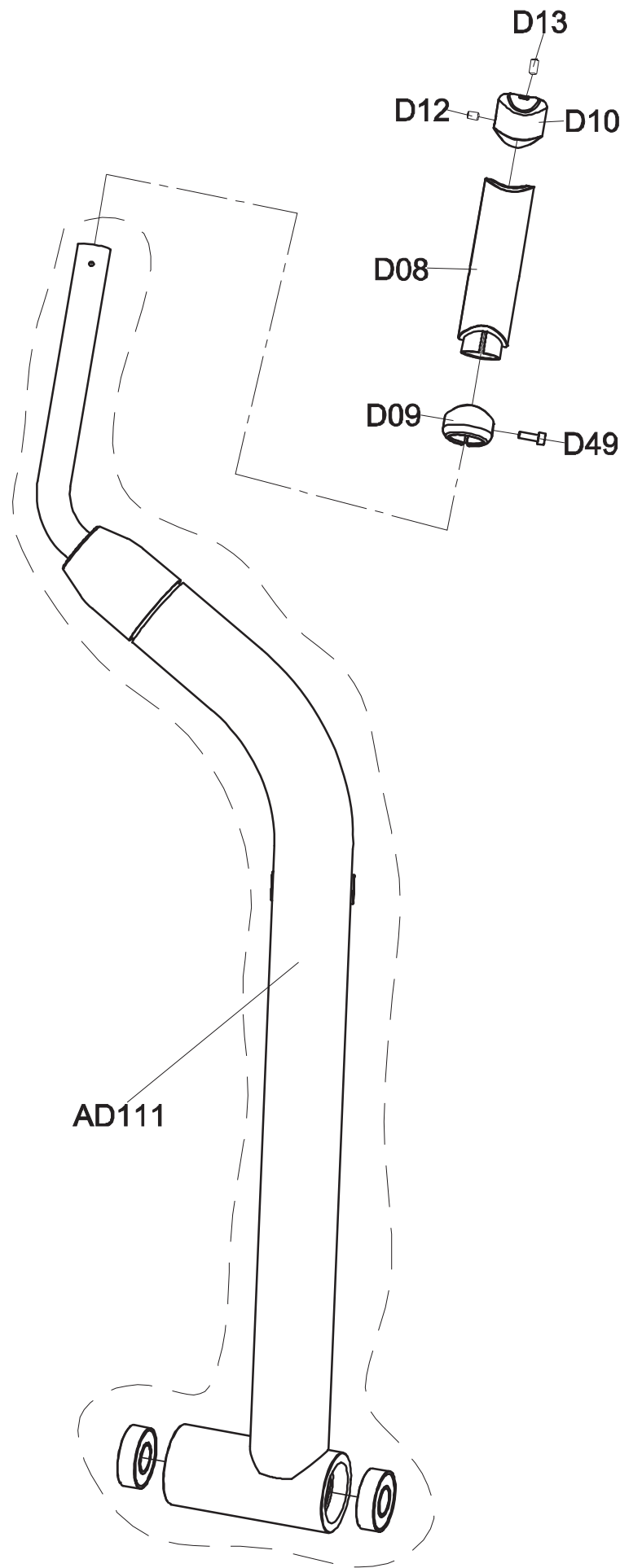
DRAWING NO	GM124C-SF05		
PART NAME	Seat Connect Rod;Left Down		
PART NO	1000413268	REV	A
APPROVE	HaoQingShan	DATE	09032018



DRAWING NO	GM112-SF01		
PART NAME	Pin set		
PART NO	1000418859	REV	A
APPROVE	Abby	DATE	12182017

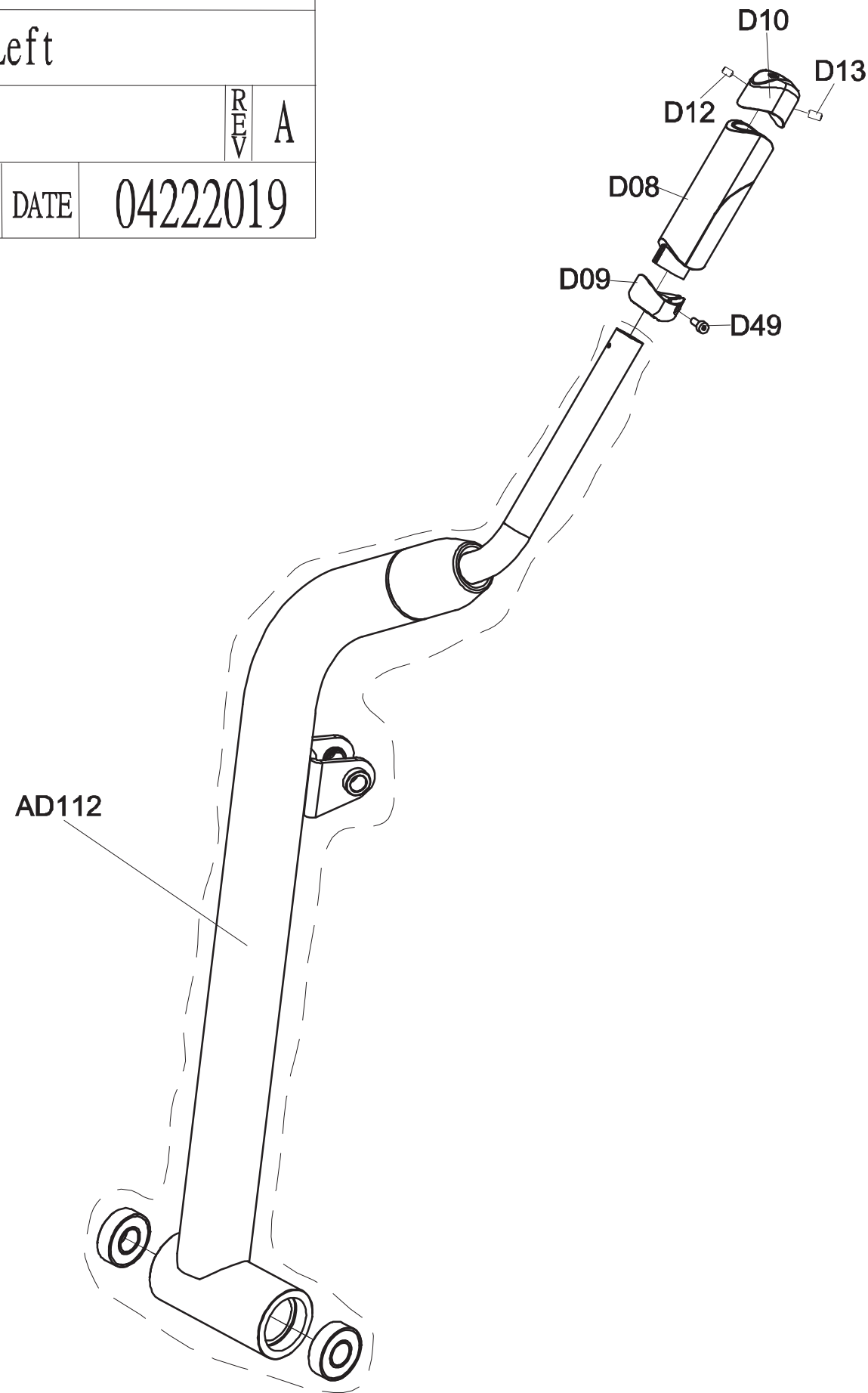


DRAWING NO	GM112-SF02		
PART NAME	Swing set;Right		
PART NO	See Chart	REV	A
APPROVE	ZERO	DATE	04222019



Part NO.	Color
1000418902	Iced Sliver
1000418903	Platinum
1000418904	Polarized Titanium
1000418905	Lace White
1000418906	Pearl White
1000418907	Black Matte
1000418908	BlackGlossy
1000430731	Clear Coat
1000433759	0-PF Purple
1000440461	PF Yellow RAL1023

DRAWING NO	GM112-SF03		
PART NAME	Swing set; Left		
PART NO	See Chart	REV	A
APPROVE	ZERO	DATE	04222019



Part NO.	Color
1000418912	Iced Sliver
1000418913	Platinum
1000418914	Polarized Titanium
1000418915	Lace White
1000418916	Pearl White
1000418917	Black Matte
1000418918	BlackGlossy
1000430744	Clear Coat
1000433774	O-PF Purple
1000440462	PF Yellow RAL1023