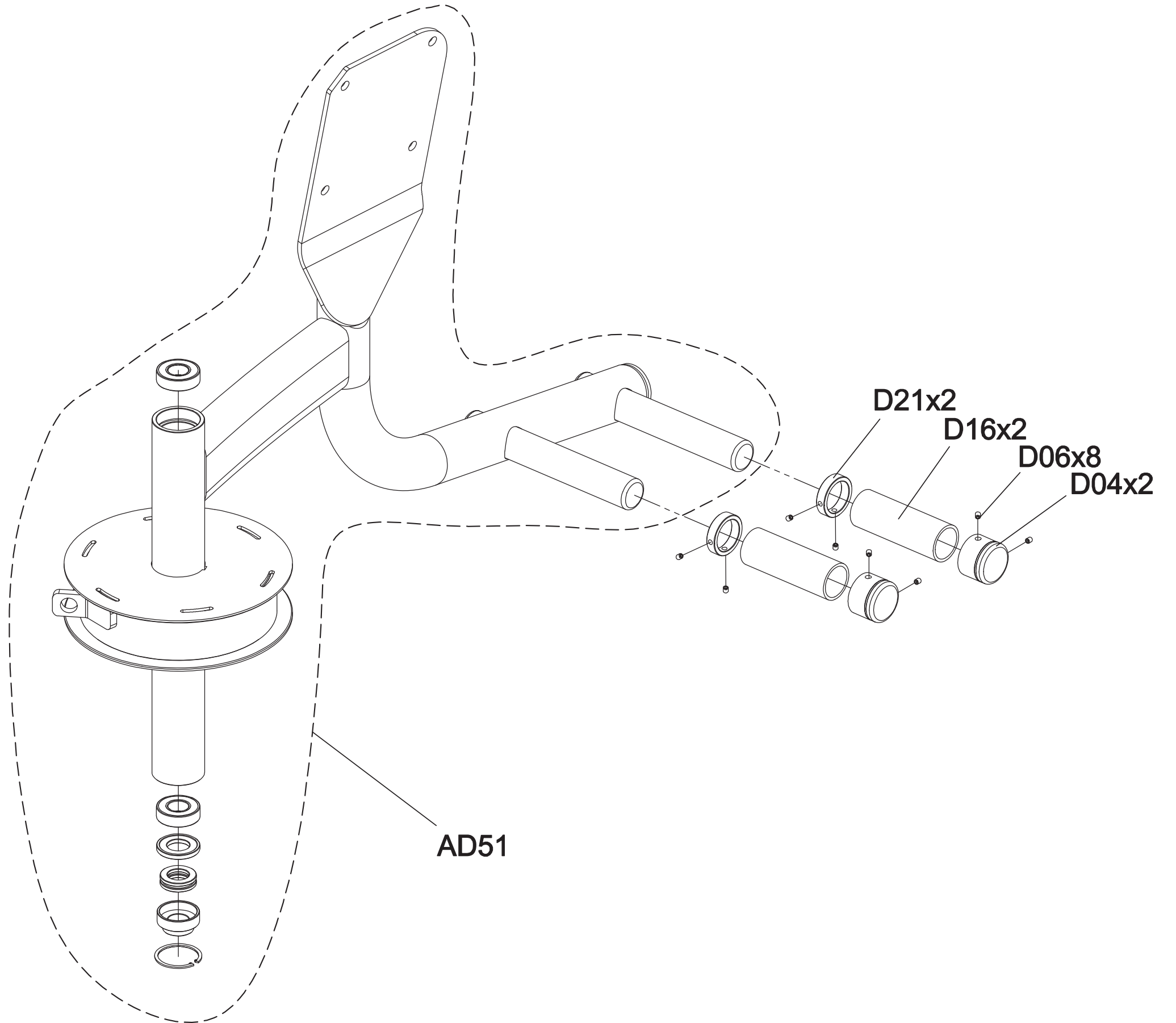


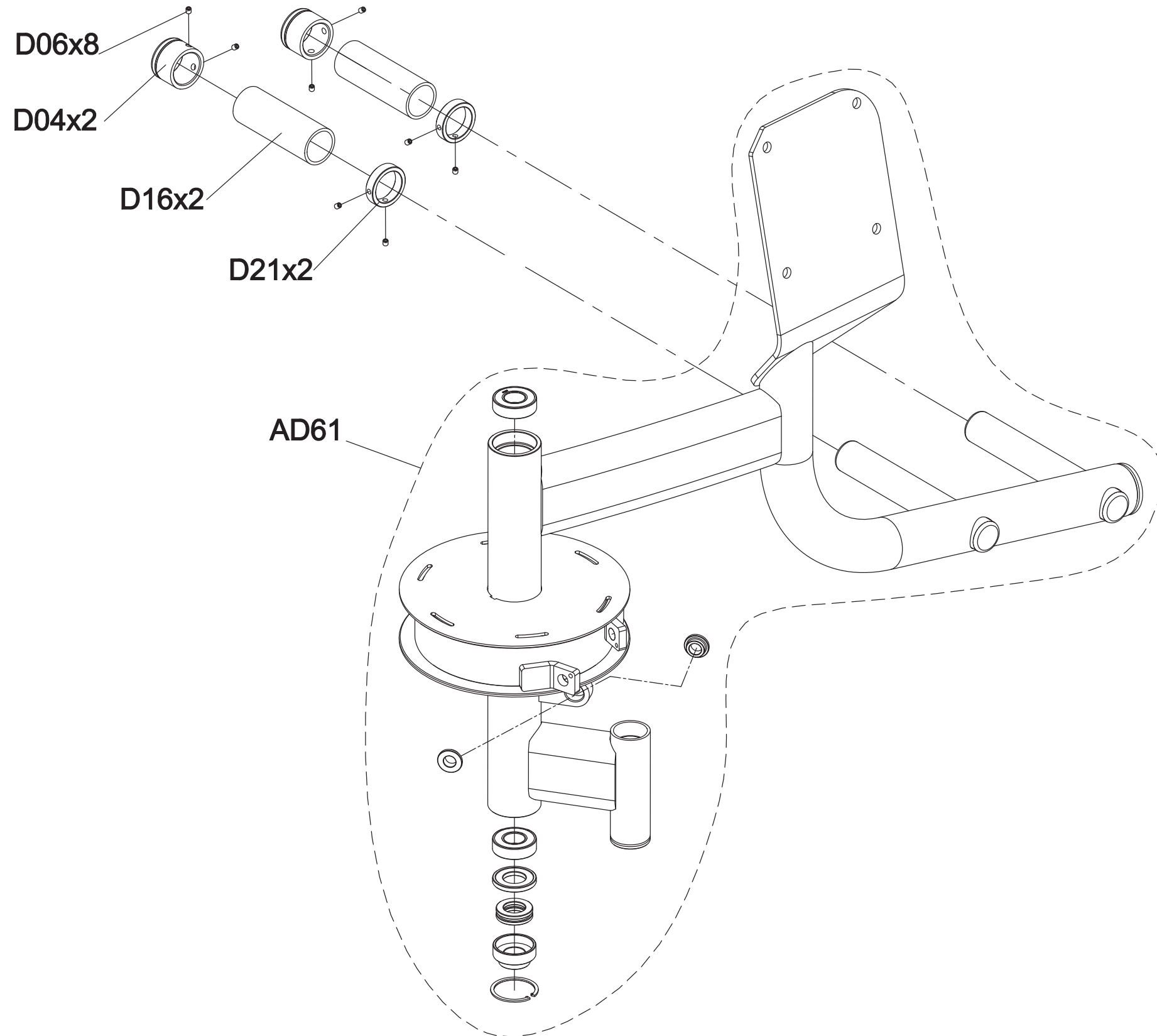
DRAWING NO	GM115-AD05		
PART NAME	Swivel arm set;L;Assembly		
PART NO	See Chart	REV	A
APPROVE	Harvey	DATE	09.28.2017

Part NO.	Color
1000414228	Iced Sliver
1000414231	Platinum
1000414233	Polarized Titanium
1000414235	Lace White
1000414237	Pearl White
1000414239	Mat Black
1000414241	Black Glossy



DRAWING NO	GM115-AD06		
PART NAME	Swivel arm set;R;Assembly		
PART NO	See Chart	REV	A
APPROVE	Harvey	DATE	12.22.2017

Part NO.	Color
1000414246	Iced Sliver
1000414249	Platinum
1000414252	Polarized Titanium
1000414254	Lace White
1000414256	Pearl White
1000414258	Mat Black
1000414260	Black Glossy



DRAWING NO	GM120-AC05		
PART NAME	Handle set ; Assembly		
PART NO	See Chart	REV	A
APPROVE	Harvey	DATE	10.12.2017

Part NO.	Color
1000414300	Iced Sliver
1000414301	Platinum
1000414302	Polarized Titanium
1000414303	Lace White
1000414304	Pearl White
1000414305	Mat Black
1000414306	Black Glossy

