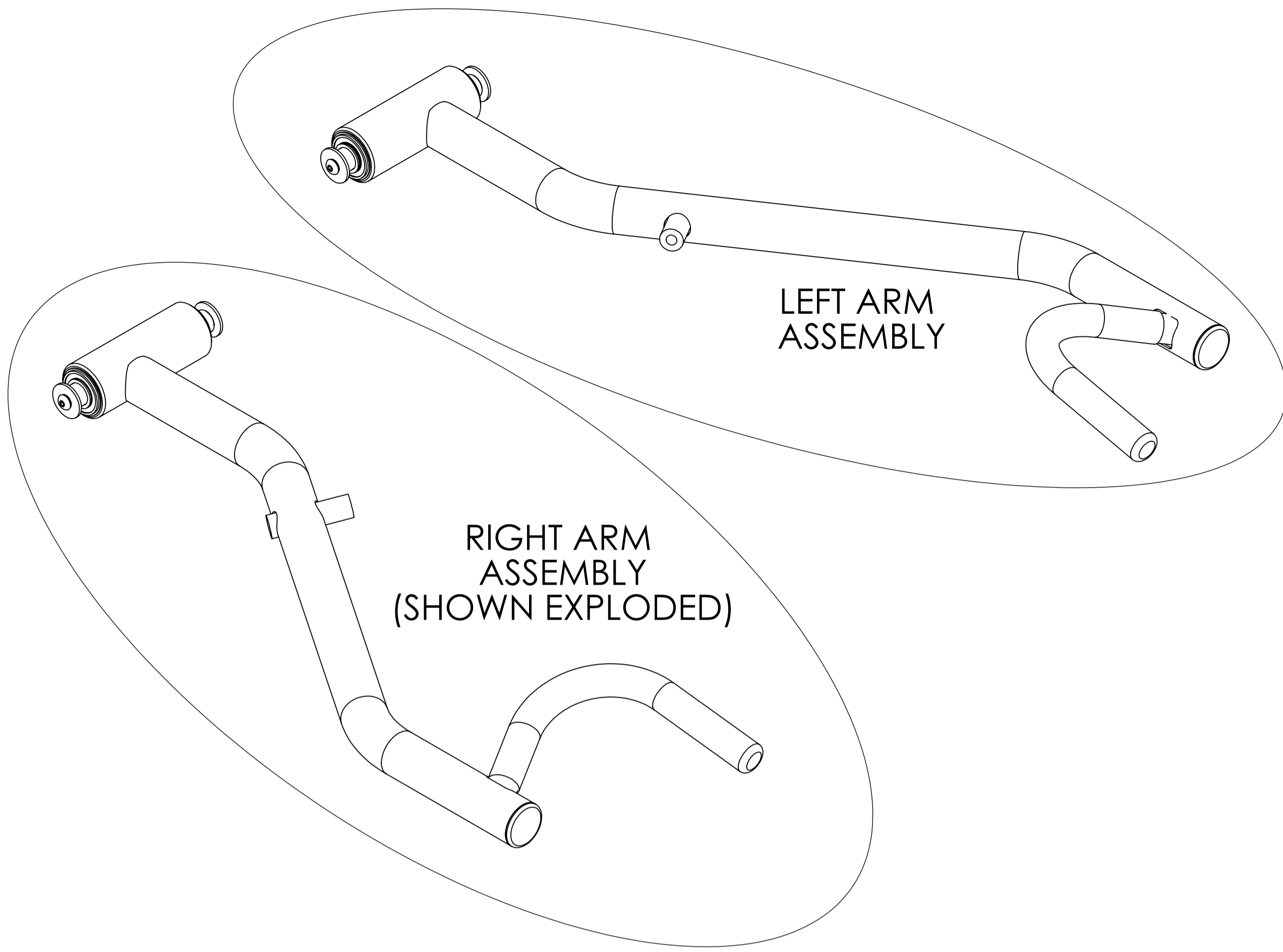
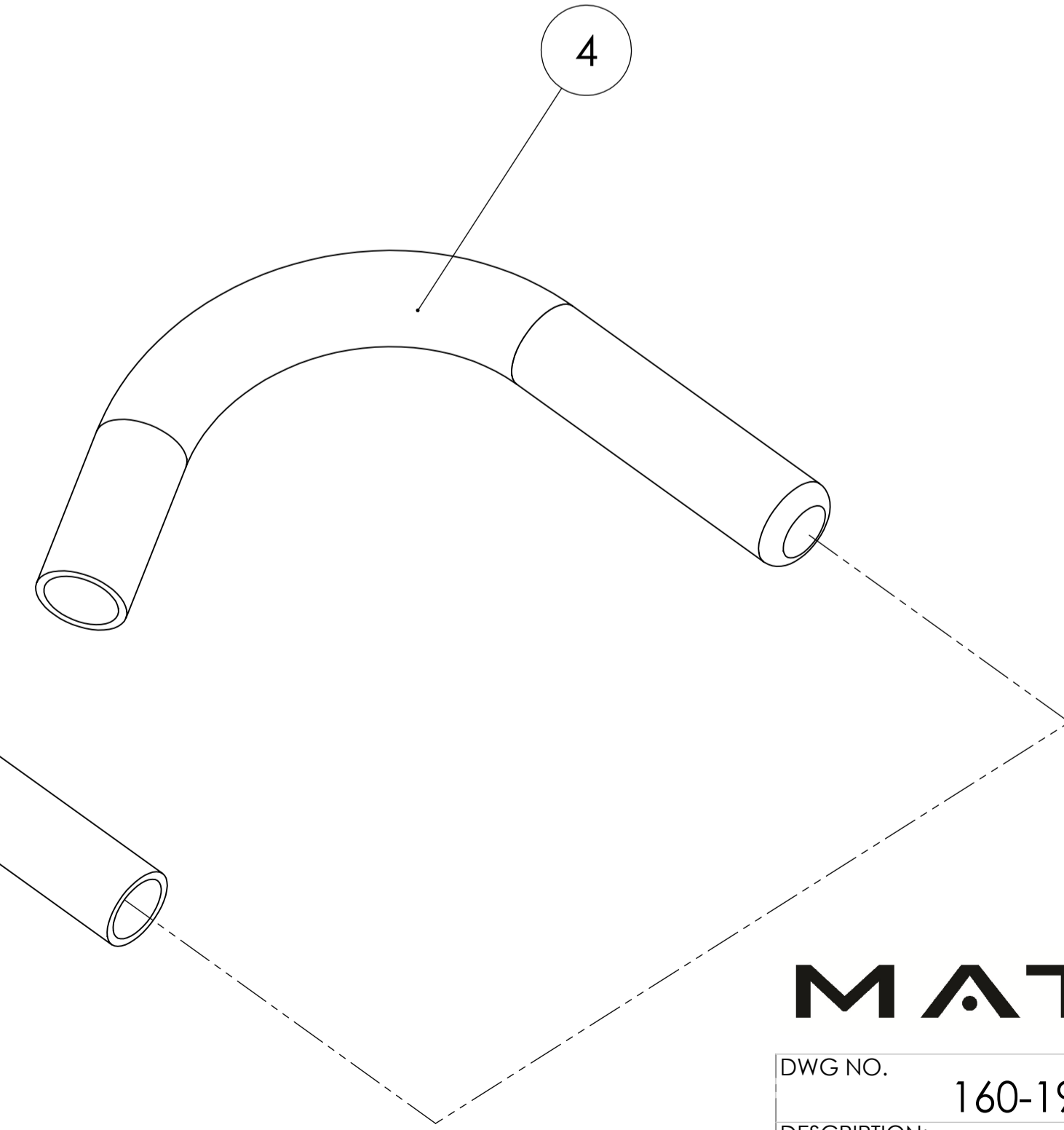


1 IMAGE MAY VARY SLIGHTLY FOR OPPOSITE MOUNTING ORIENTATION SEE BOM FOR PART NUMBER



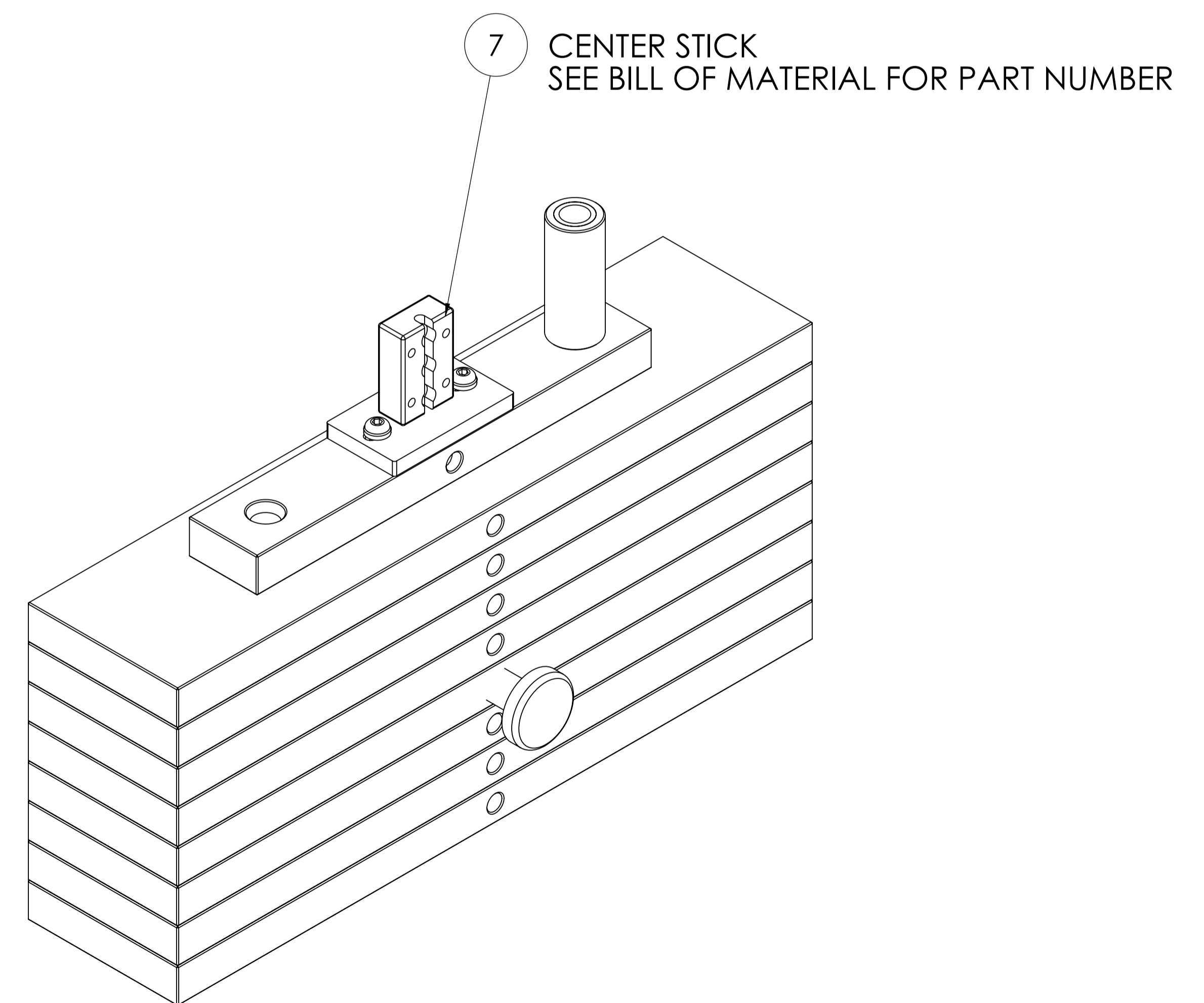
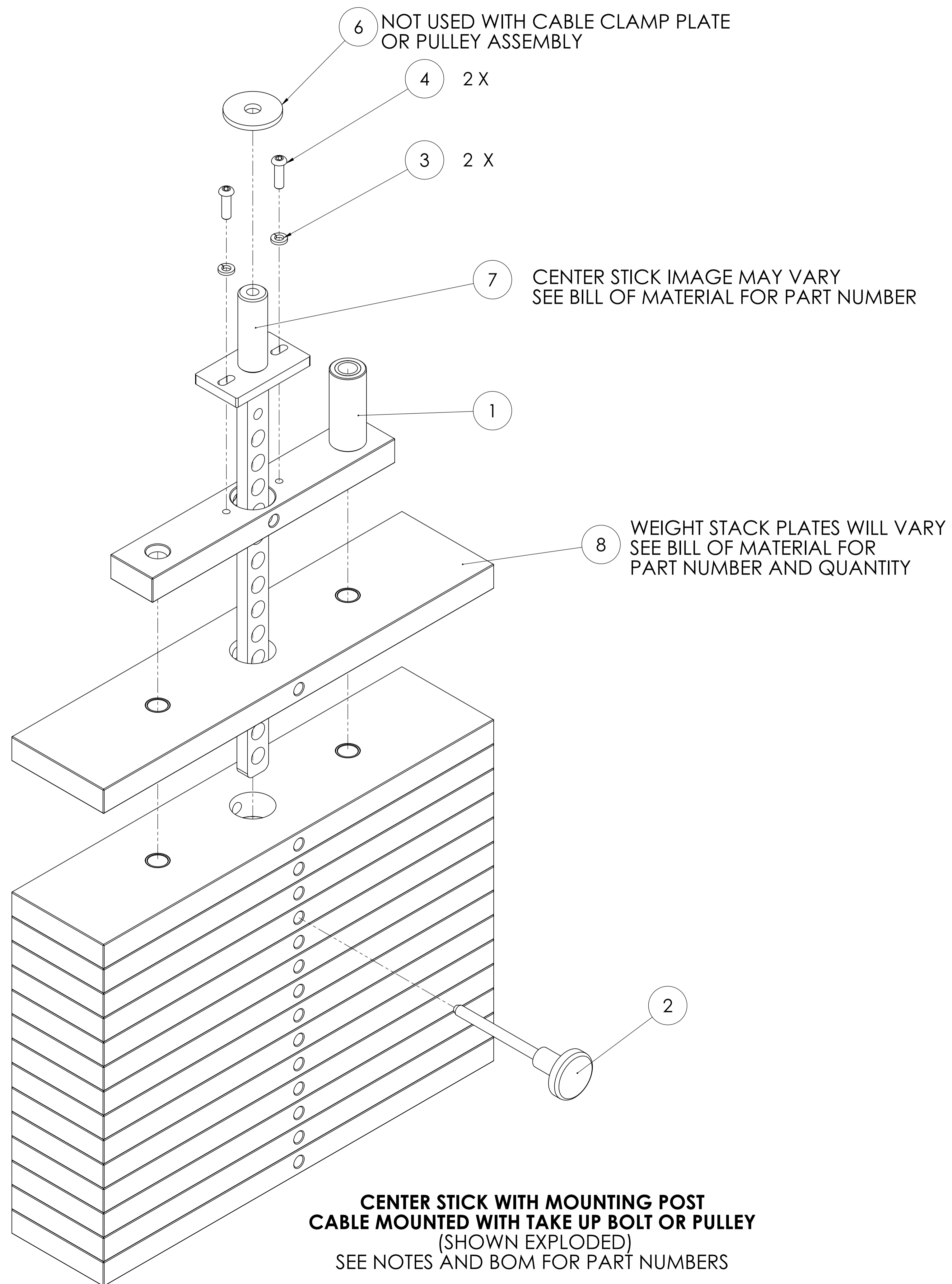
LEFT ARM ASSEMBLY

RIGHT ARM ASSEMBLY (SHOWN EXPLODED)



MATRIX

DWG NO.	160-191 SERVICE		
DESCRIPTION:	ARM 7214		
DRAWN BY:	LMB	DATE	13.11.22
UPDATED BY:	LMB	DATE	14.03.24



**CENTER STICK WITH CLAMP PLATE
SEE NOTES AND BOM FOR PART NUMBERS**

MATRIX

DWG NO.

WEIGHT STACK SERVICE

DESCRIPTION:
WEIGHT STACK/CENTER STICK ASSEMBLY

(Take Up Bolt, Pulley & Clamp Style)

DRAWN BY: LMB DATE: 2013.OCT.10

UPDATED BY: LMB DATE: 2015.FEB.04