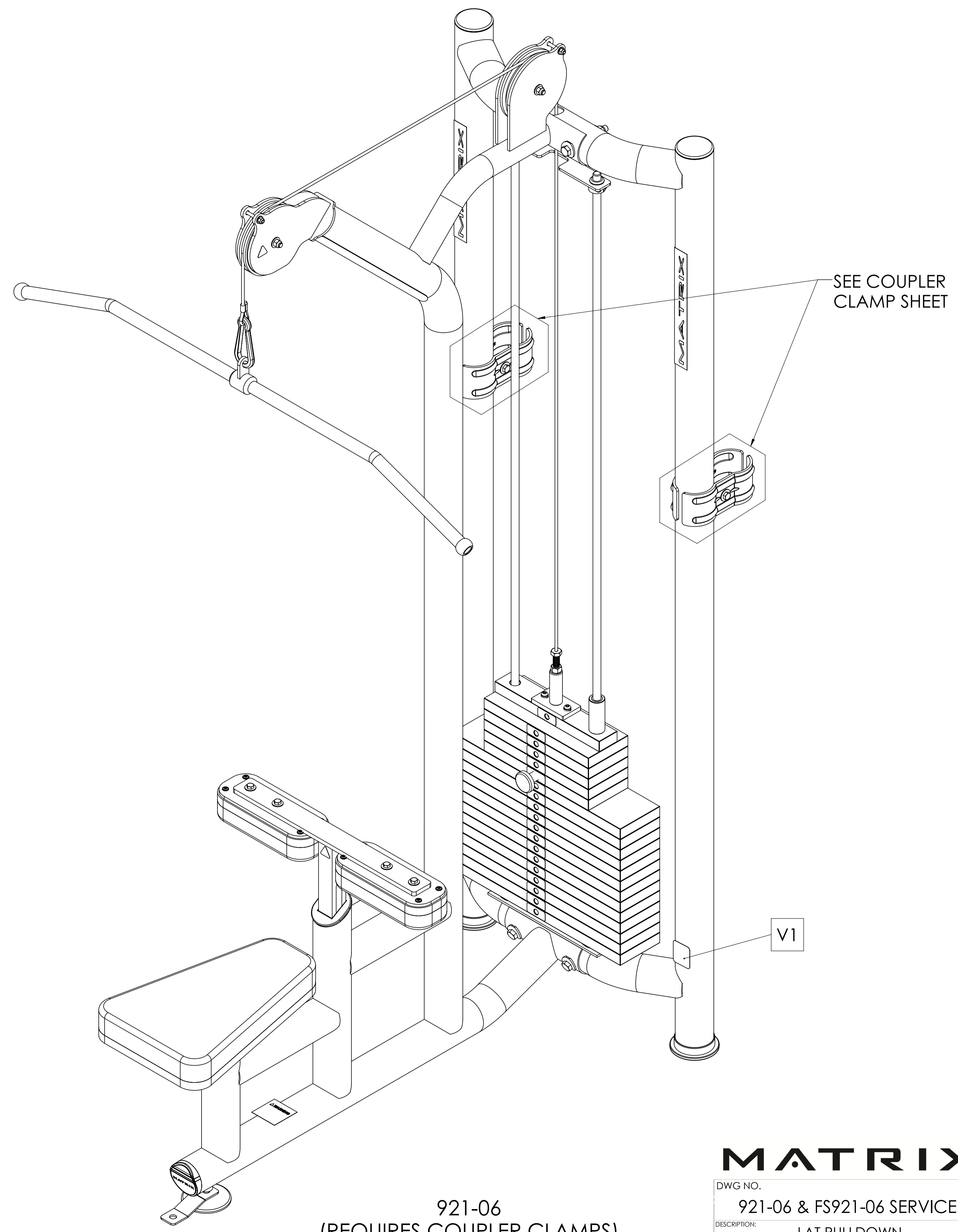


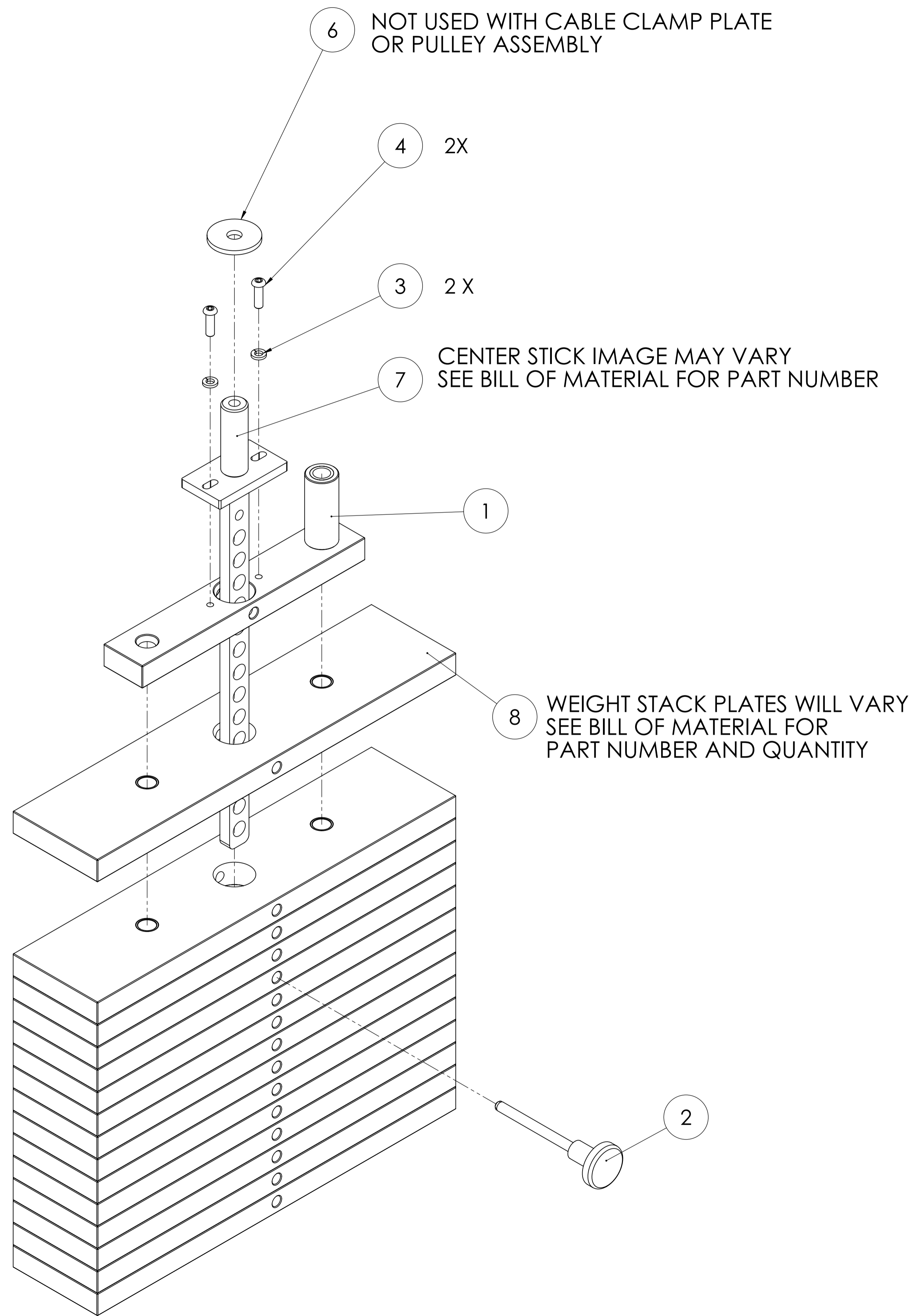
FS921-06
(EXPLODED VIEW ON SHEET 1)



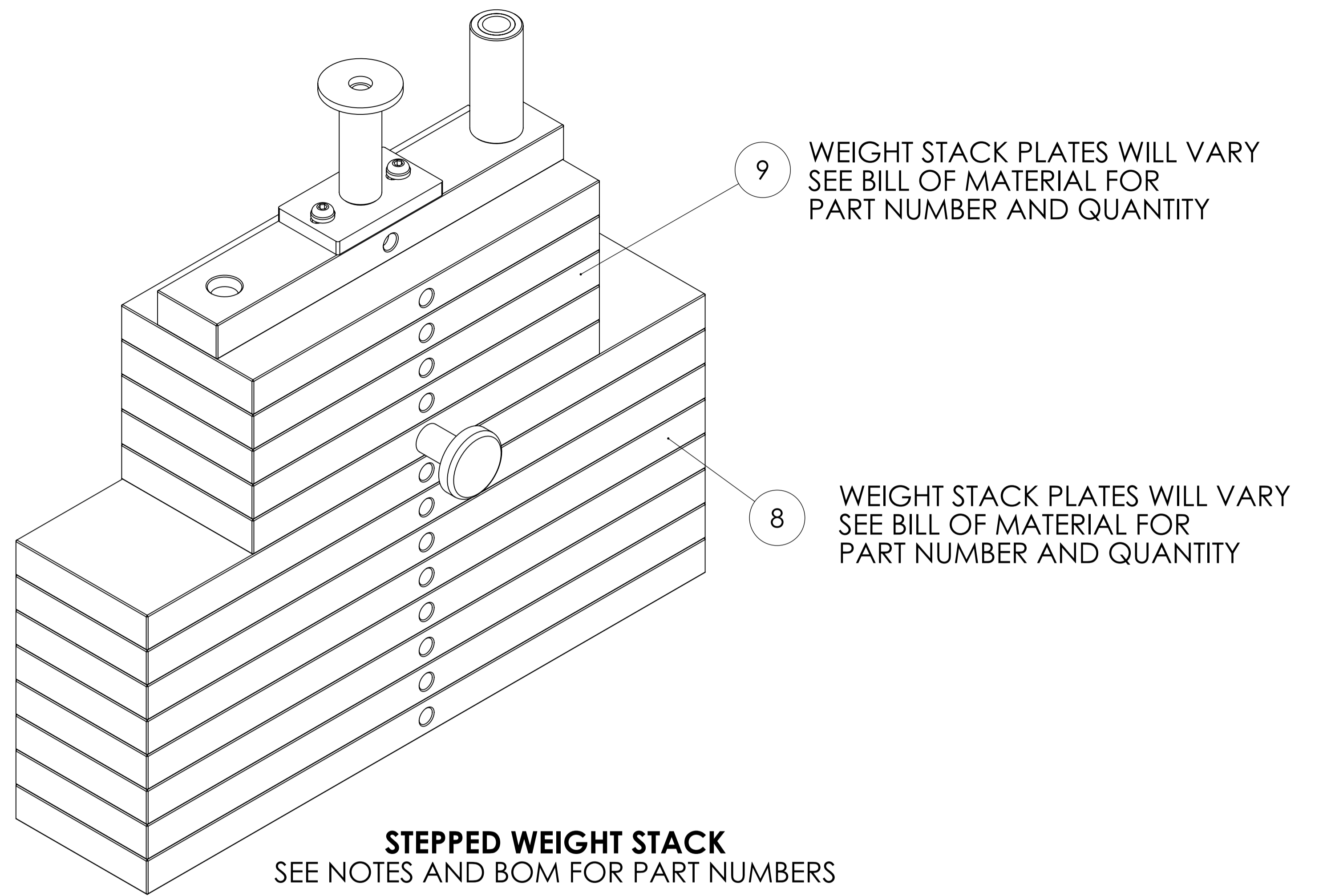
921-06
(REQUIRES COUPLER CLAMPS)

MATRIX

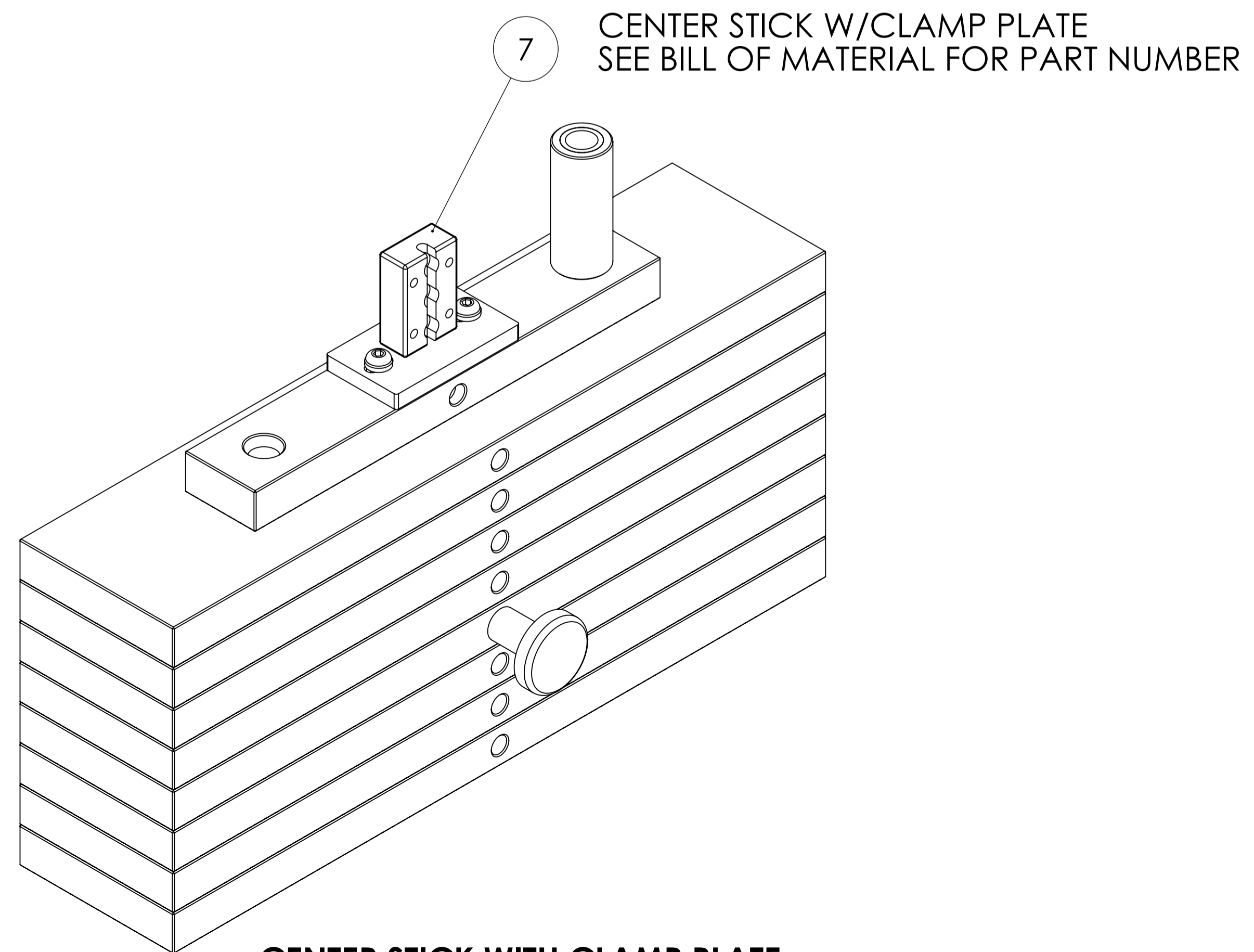
DWG NO.		921-06 & FS921-06 SERVICE	
DESCRIPTION:		LAT PULLDOWN (Strength - Single Station)	
DRAWN BY:	LMB	DATE:	2018.JAN.15
UPDATED BY:	LG	DATE:	2019.SEP.04



**CENTER STICK WITH MOUNTING POST
CABLE MOUNTED WITH TAKE UP BOLT OR PULLEY
(SHOWN EXPLODED)
SEE NOTES AND BOM FOR PART NUMBERS**



**STEPPED WEIGHT STACK
SEE NOTES AND BOM FOR PART NUMBERS**



**CENTER STICK WITH CLAMP PLATE
SEE NOTES AND BOM FOR PART NUMBERS**

MATRIX

DWG NO.		
_WEIGHT STACK SERVICE		
DESCRIPTION: WEIGHT STACK/CENTERSTICK ASSY (Take Up Bolt, Pulley & Clamp Style)		
DRAWN BY:	LMB	DATE: 2013.OCT.10
UPDATED BY:	LMB	DATE: 2017.DEC.29