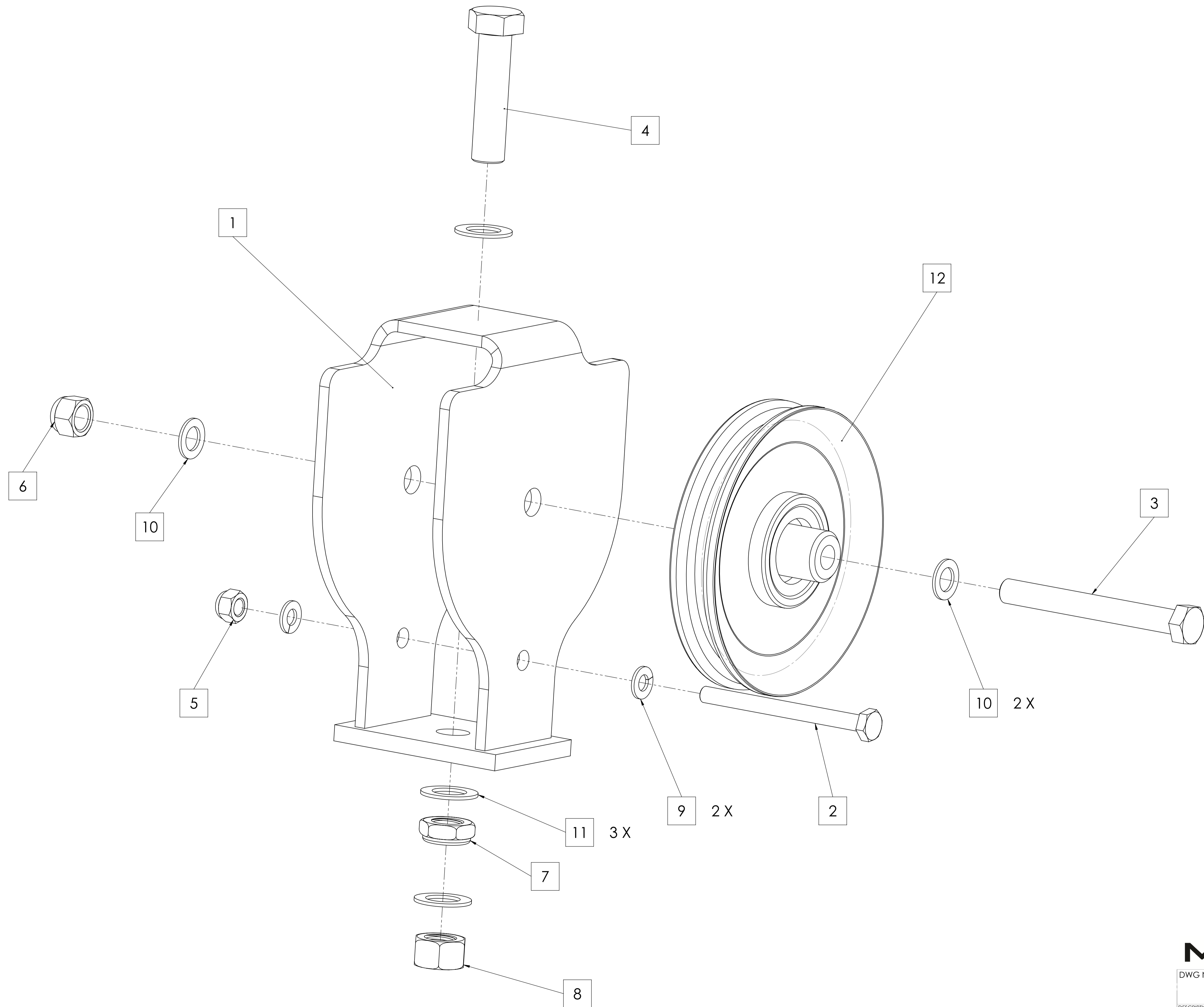


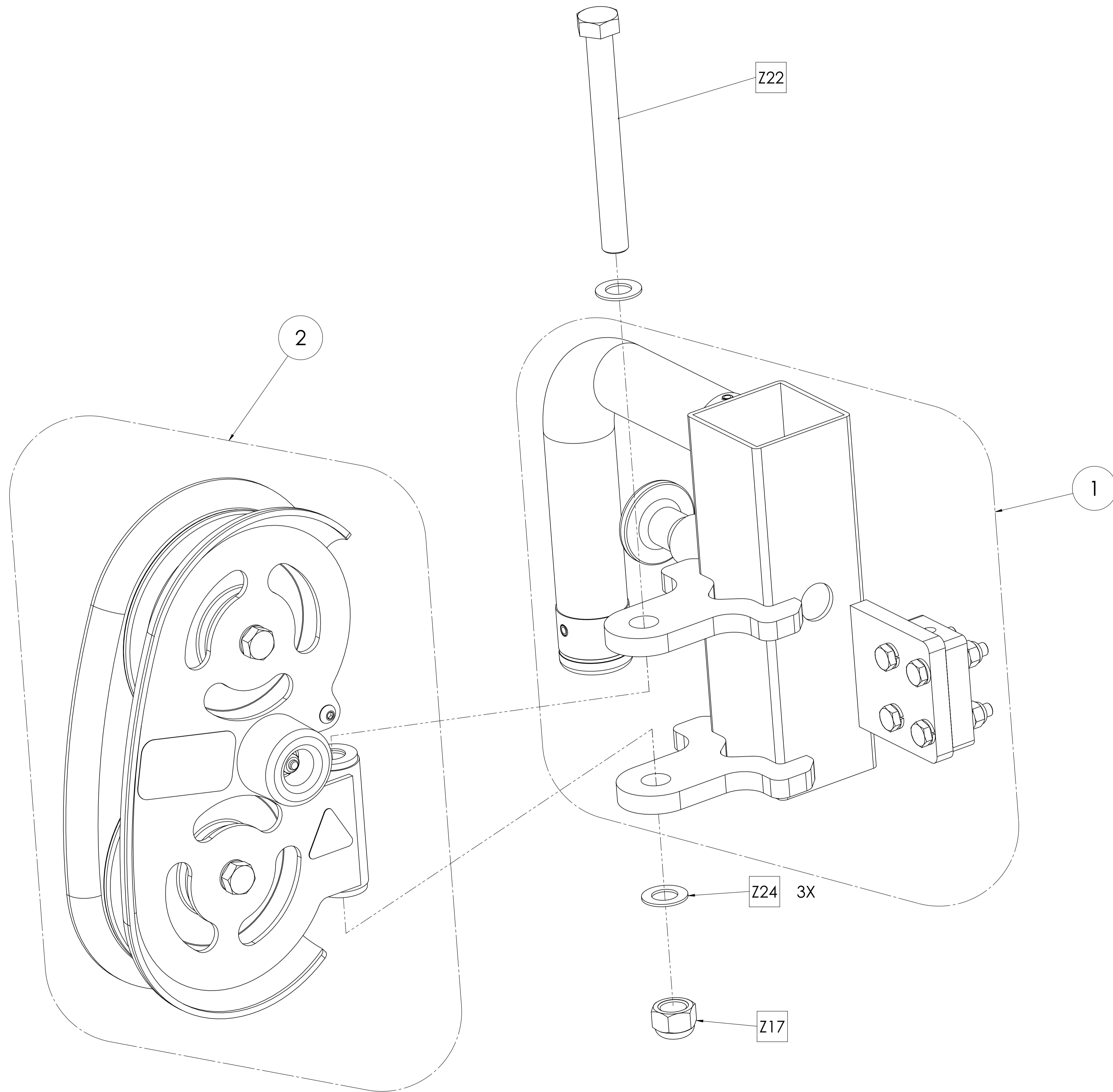
# MATRIX

DWG NO:		160-056,160-057,160-058,160-059	
DESCRIPTION:		SERVICE	
		HAND GRIP	
		(RUBBER GRIP TUBE)	
DRAWN BY:	LMB	DATE:	2013.OCT.07
UPDATED BY:	LMB	DATE:	2015.JUN.05



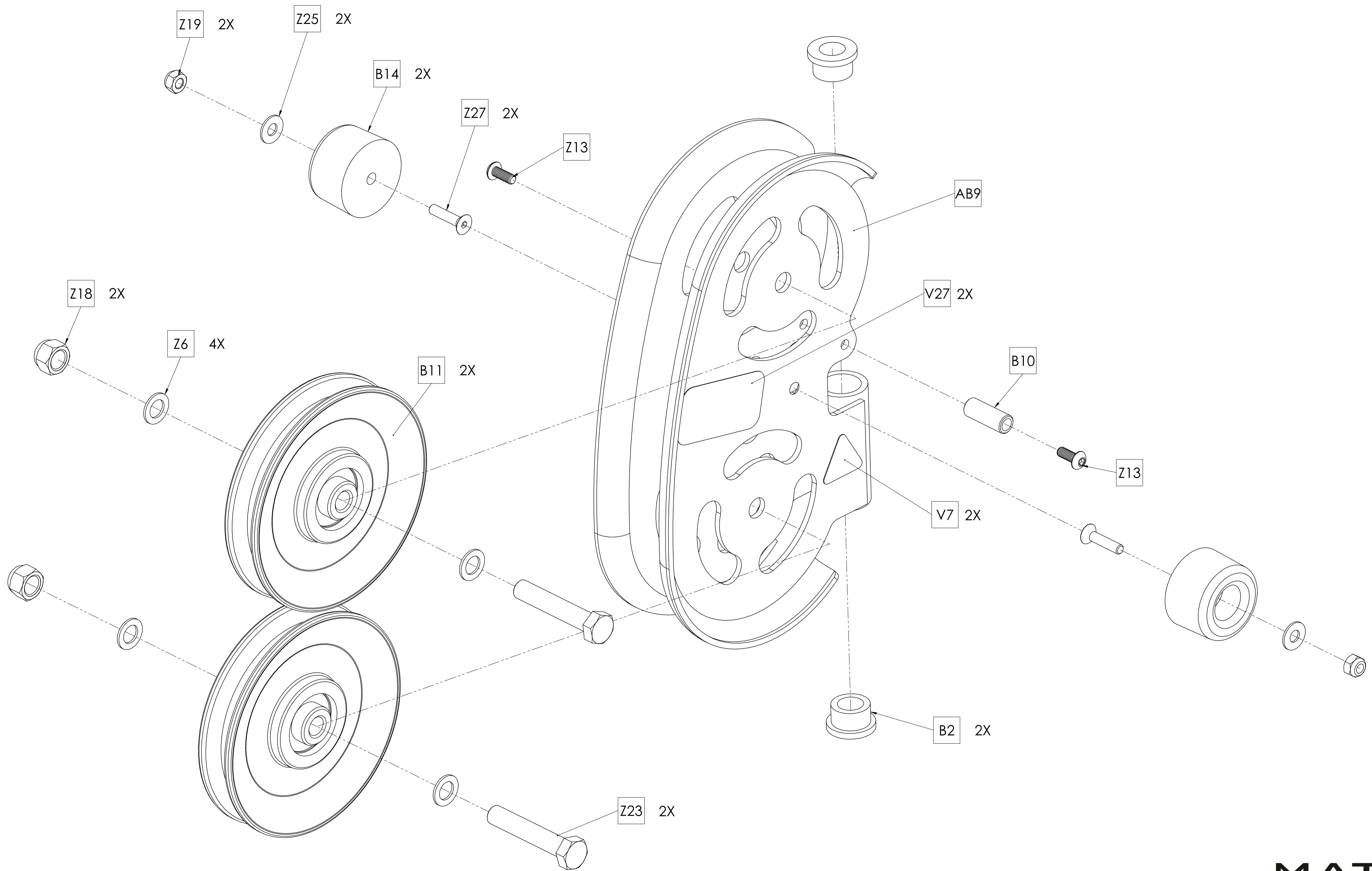
**MATRIX**

DWG NO.		160-865 SERVICE	
DESCRIPTION: PULLEY;WEIGHT STACK ASSY (Strength)			
DRAWN BY:	LMB	DATE:	2016.MAR.25
UPDATED BY:	--	DATE:	--



**MATRIX**

DWG NO.		160-881 SERVICE	
DESCRIPTION:		DOUBLE PULLEY;BOOK;FORMED (Strength)	
DRAWN BY:	LMB	DATE:	2016.MAR.25
UPDATED BY:	--	DATE:	--



**MATRIX**

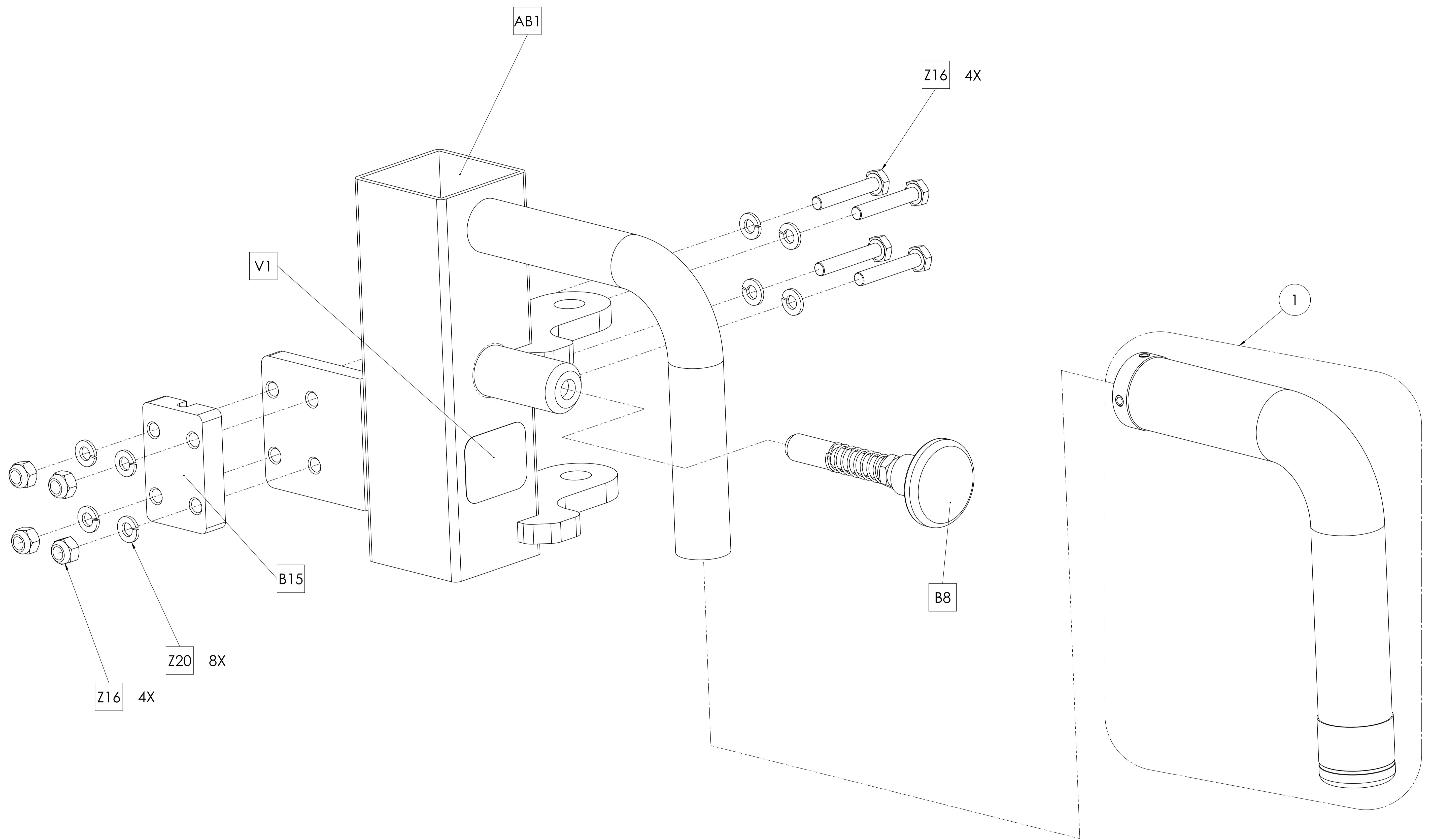
DWG NO.

161-147 SERVICE

DESCRIPTION:  
DOUBLE PULLEY;BOOK;FORMED  
(Strength)

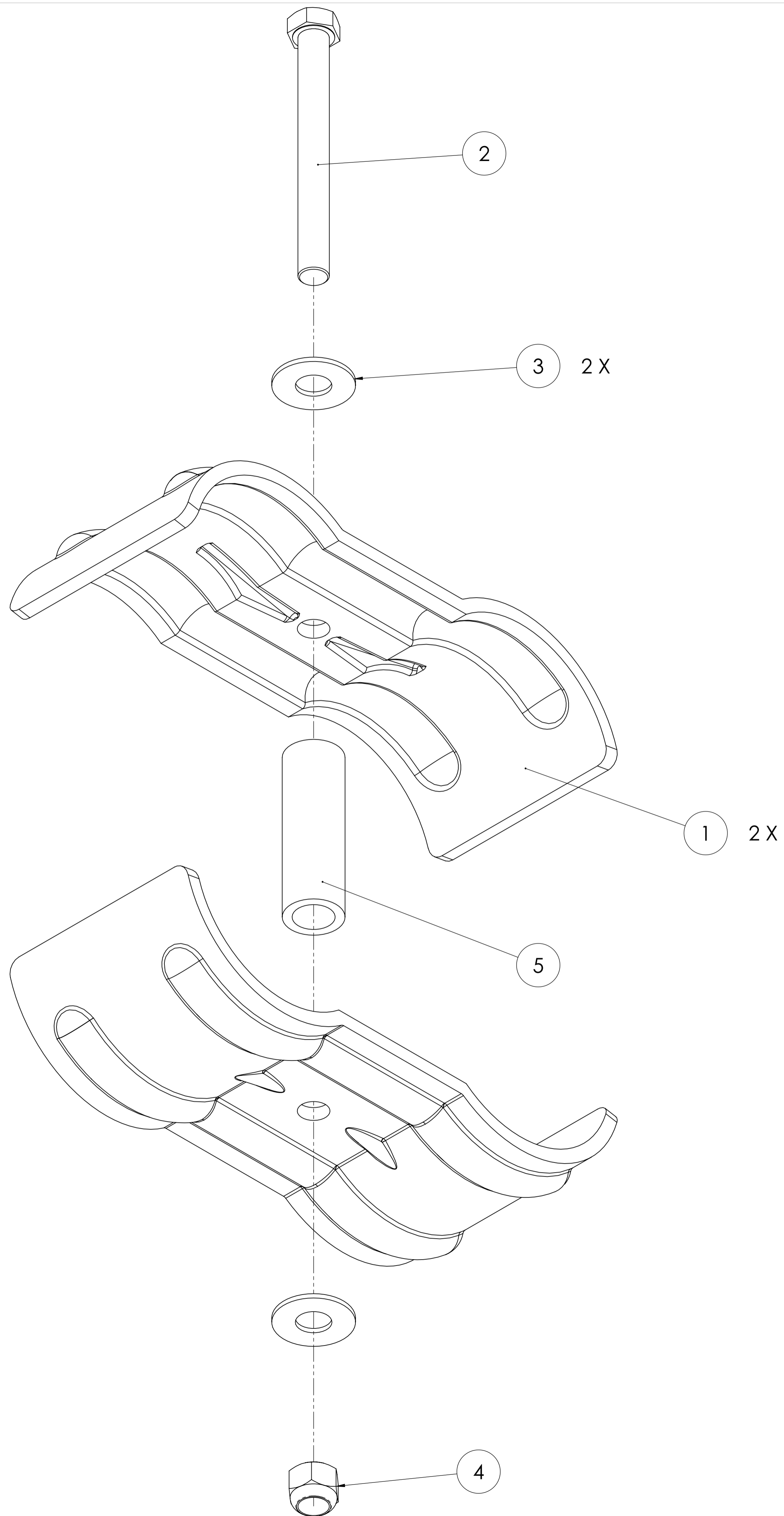
DRAWN BY: LMB DATE: 2016.MAR.25

UPDATED BY: -- DATE: --



**MATRIX**

DWG NO.			161-148 SERVICE		
DESCRIPTION:			SLIDE ASSEMBLY; FORMED BOOK (Strength)		
DRAWN BY:	LMB	DATE:	2016.JUL.26		
UPDATED BY:	LMB	DATE:	2017.AUG.17		



**MATRIX**

DWG NO.

160-257 SERVICE

DESCRIPTION:

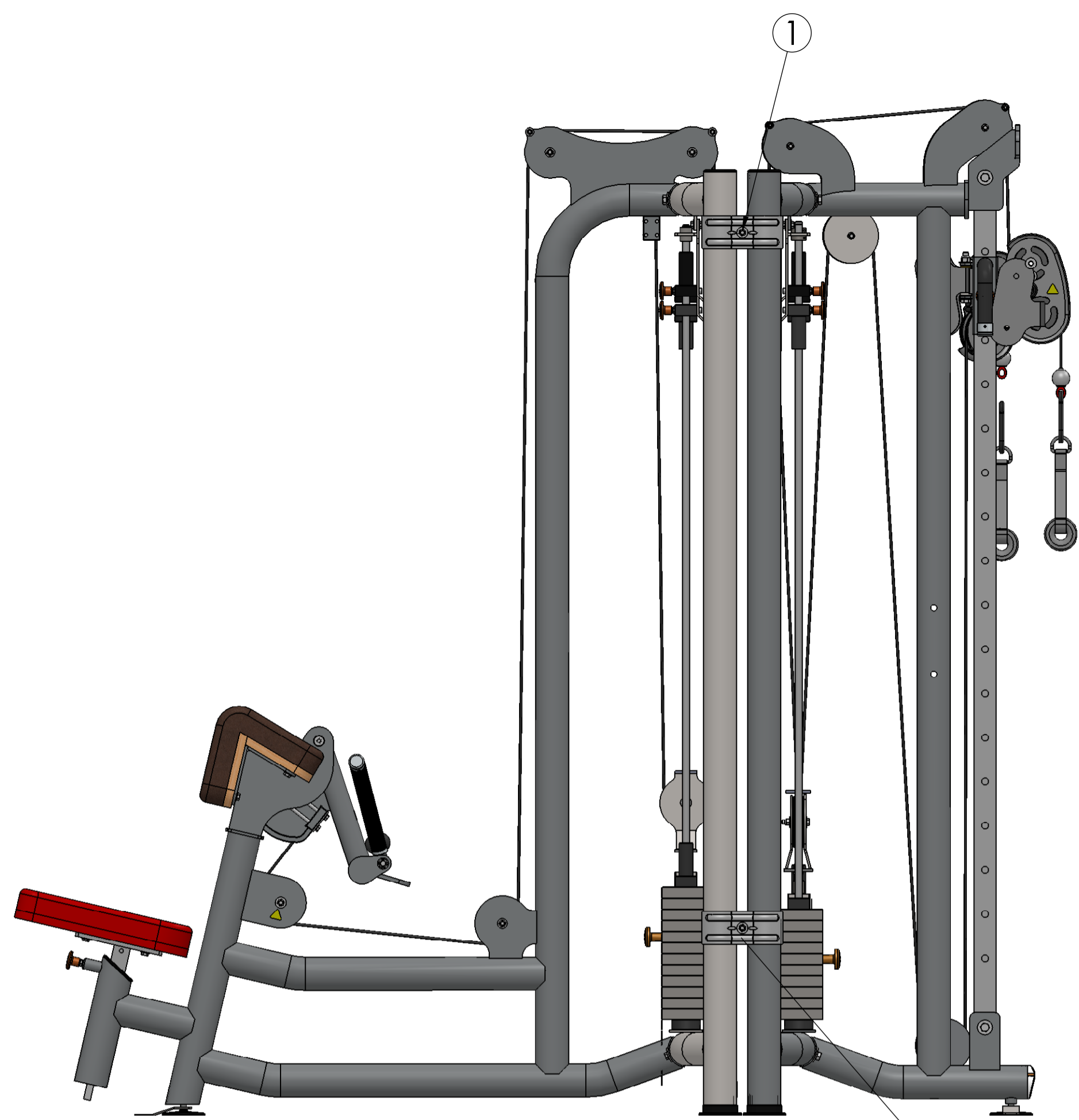
900 SERIES TOWER CLAMP (SINGLE)  
(Strength - Multi Station)

DRAWN BY: LMB

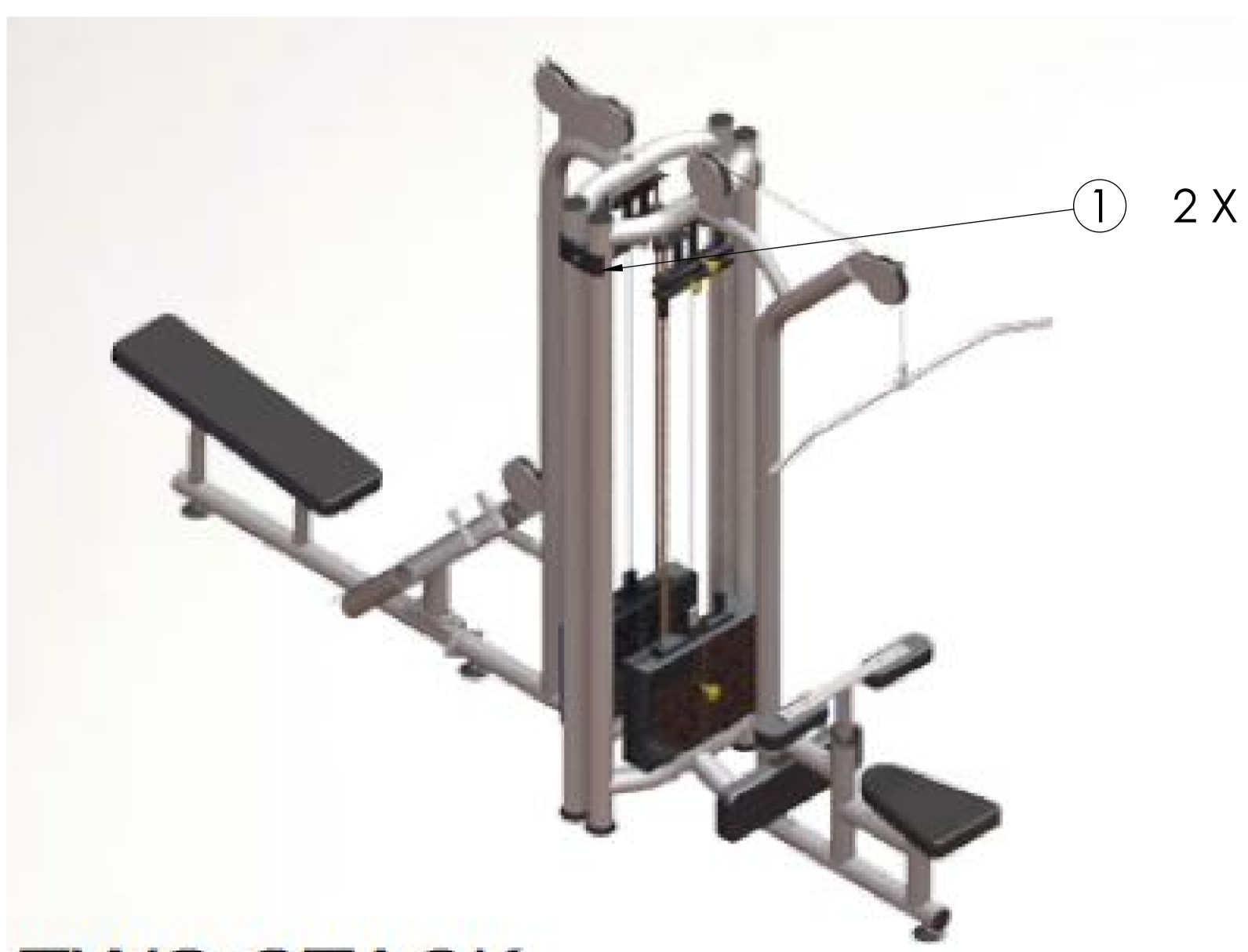
DATE: 2016.JAN.14

UPDATED BY:

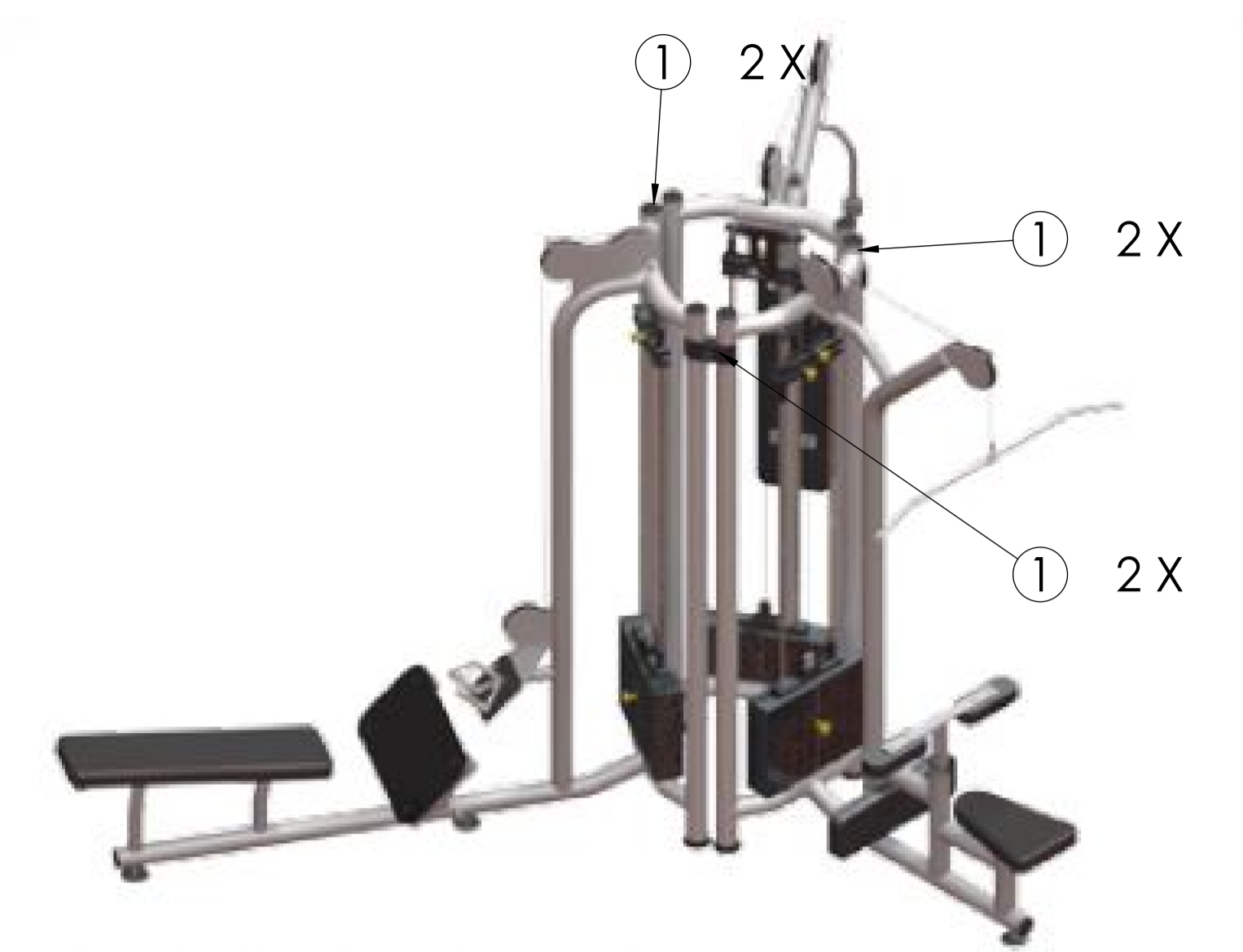
DATE:



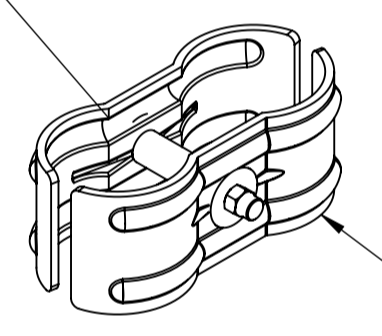
TWO STACK



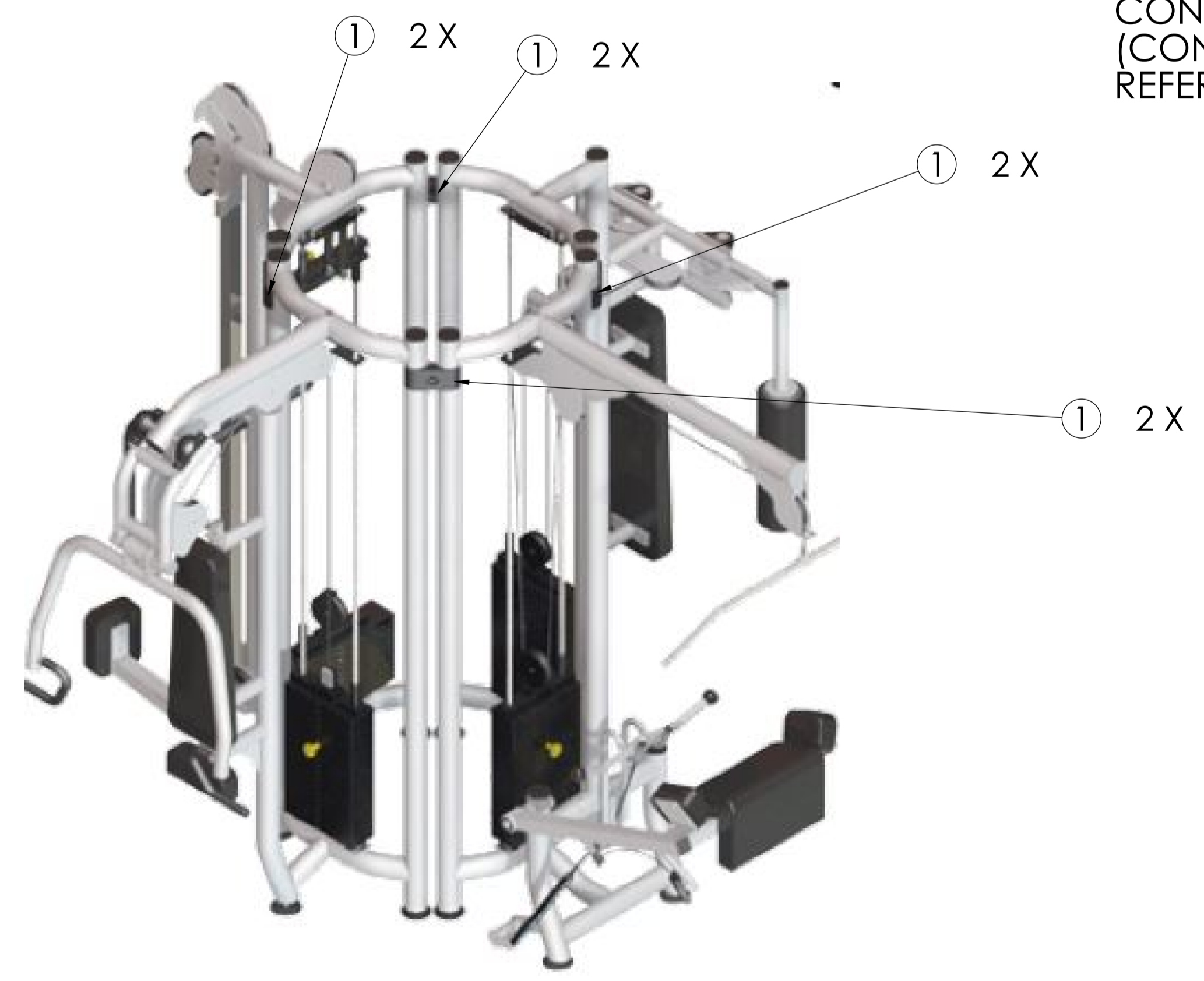
TWO STACK



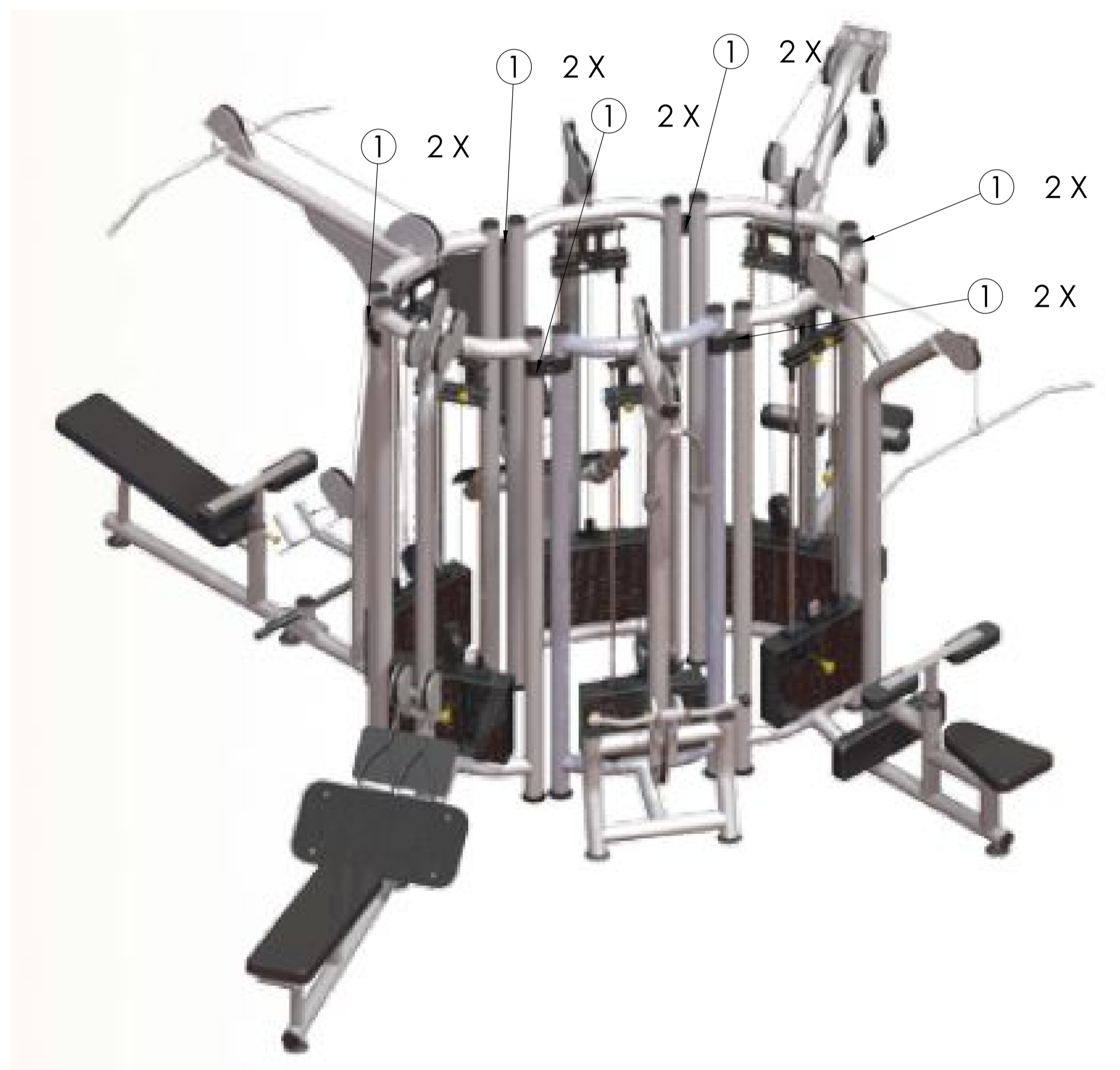
THREE STACK



EXPLODED VIEW SHOWN ON SHEET 1  
 NOTE: QUANTITY REQUIRED FOR EACH CONFIGURATION WILL VARY  
 (CONFIGURATIONS SHOWN ARE FOR REFERENCE ONLY)



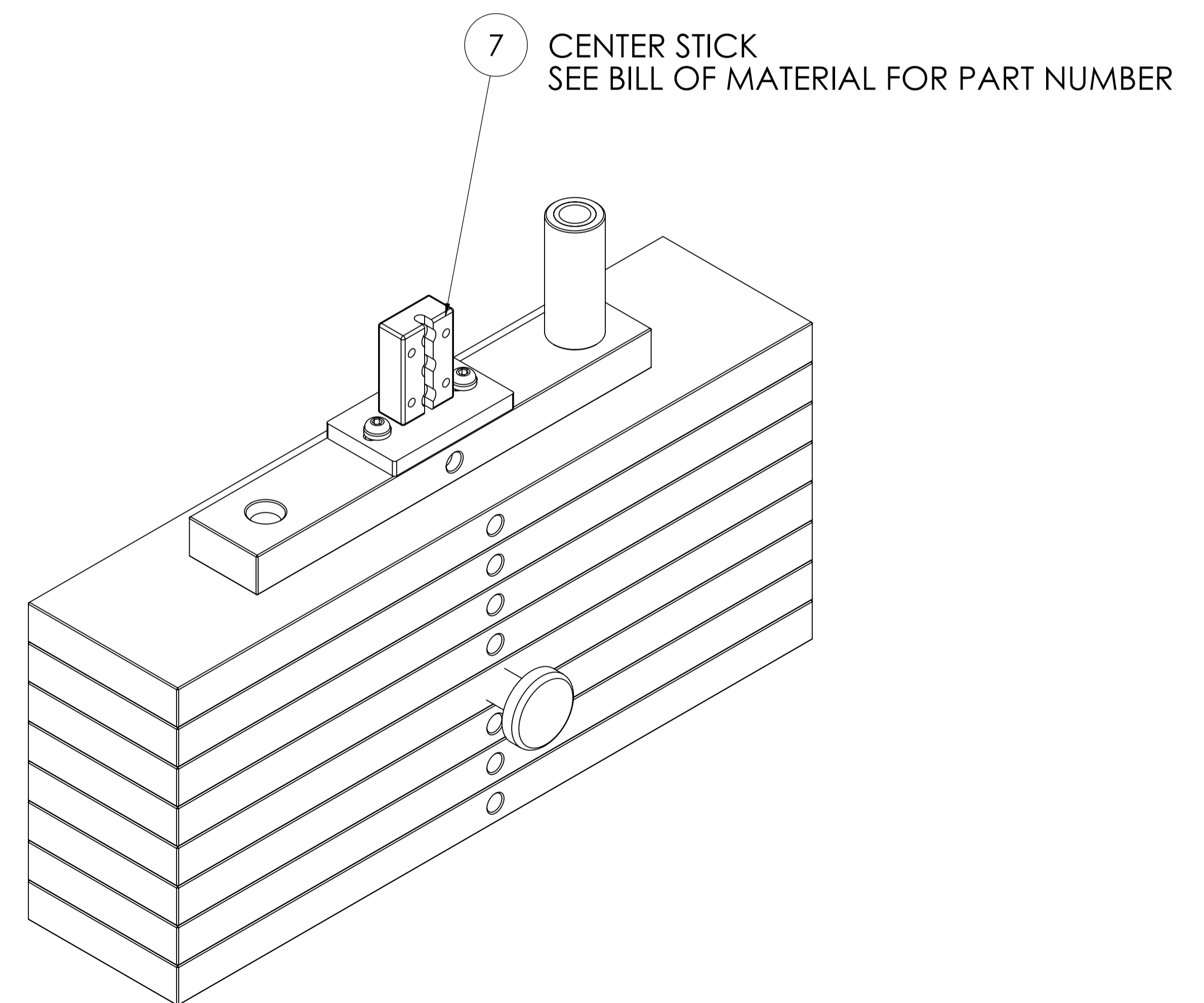
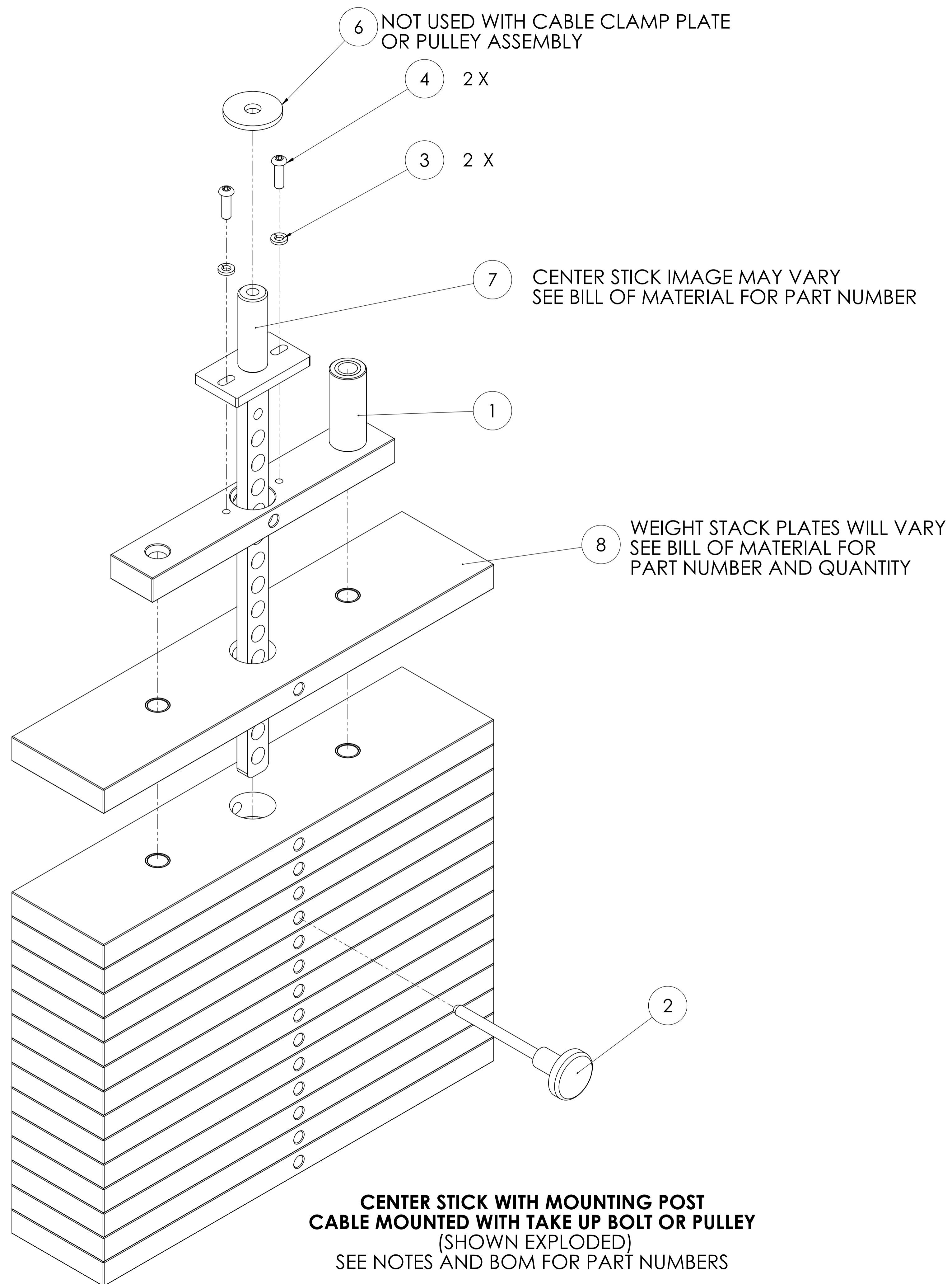
FOUR STACK



SIX STACK

**MATRIX**

DWG NO.	160-257 SERVICE	
DESCRIPTION:	COUPLER(CONFIGURATIONS) (Strength - Multi Station)	
DRAWN BY:	LMB	DATE: 2016.JAN.14
UPDATED BY:		DATE:



**MATRIX**

DWG NO.

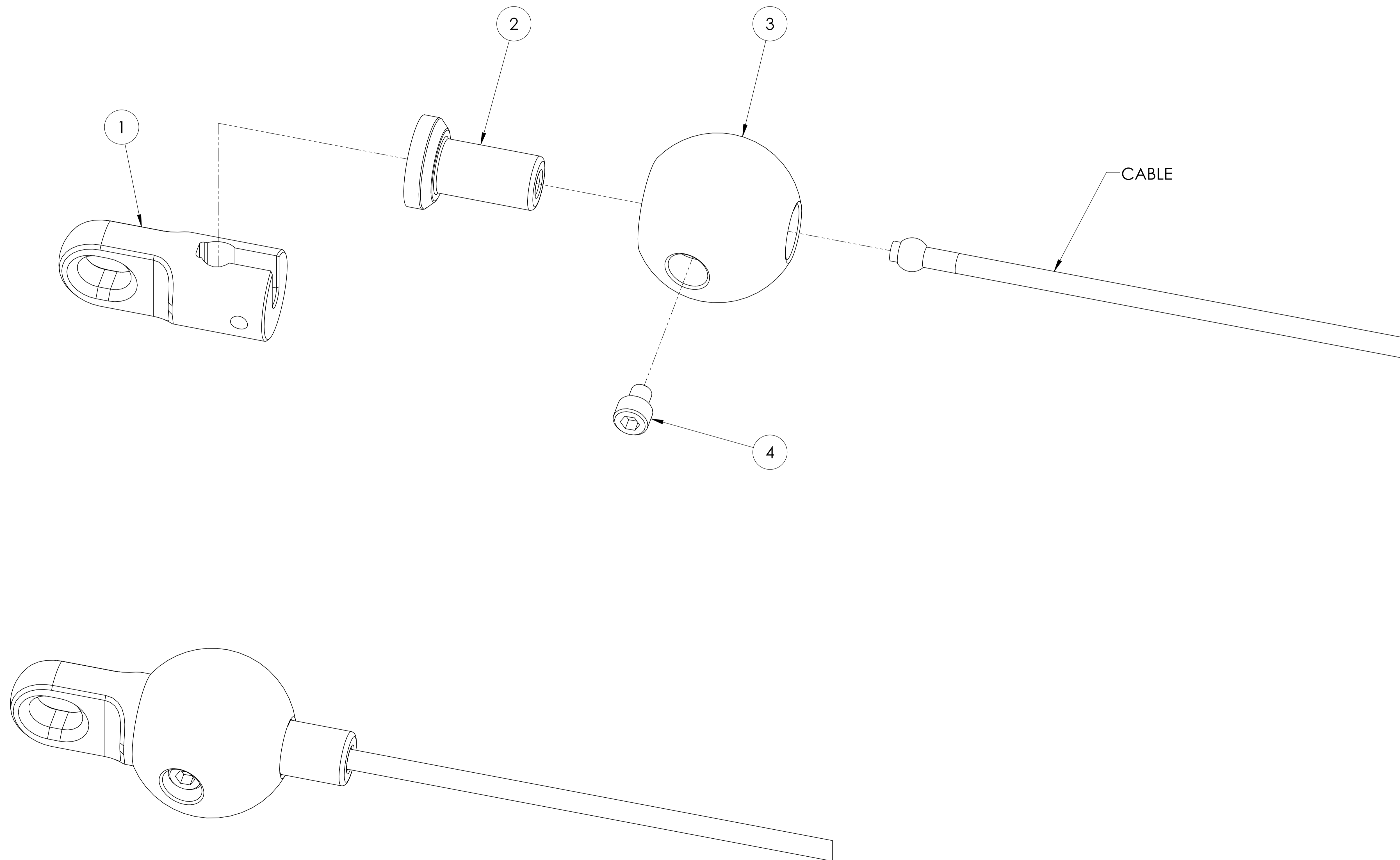
WEIGHT STACK SERVICE

DESCRIPTION:  
WEIGHT STACK/CENTER STICK ASSEMBLY

(Take Up Bolt, Pulley & Clamp Style)

DRAWN BY: LMB DATE: 2013.OCT.10

UPDATED BY: LMB DATE: 2015.FEB.04



**MATRIX**

DWG NO. 161-442 SERVICE

DESCRIPTION: CABLE END STOPPER

DRAWN BY: LG DATE: 2019.SEP.18

UPDATED BY: DATE: