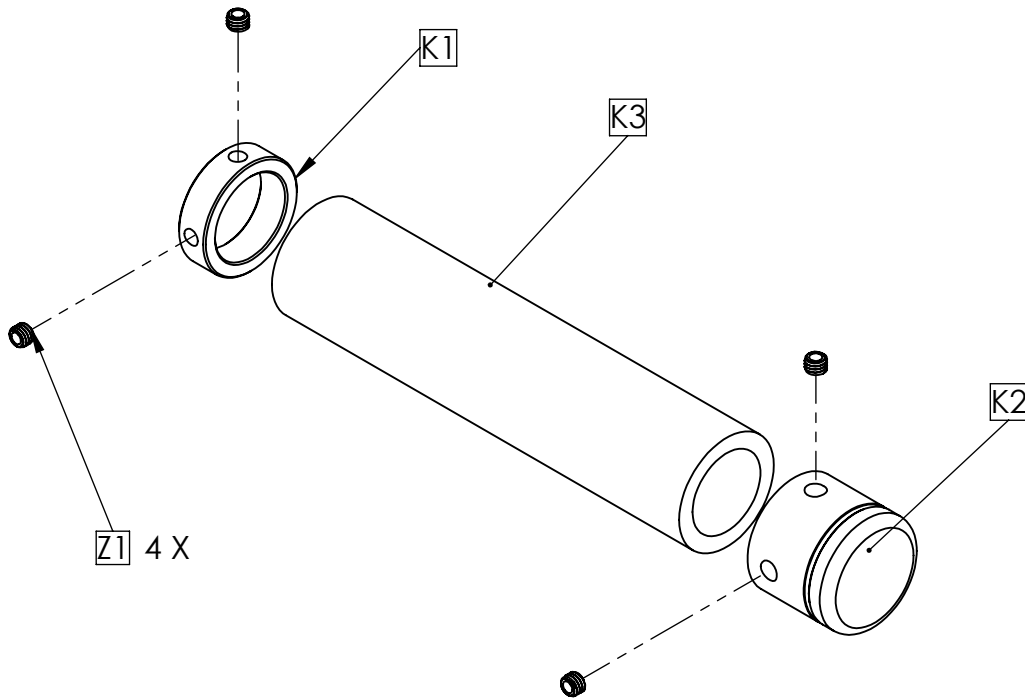
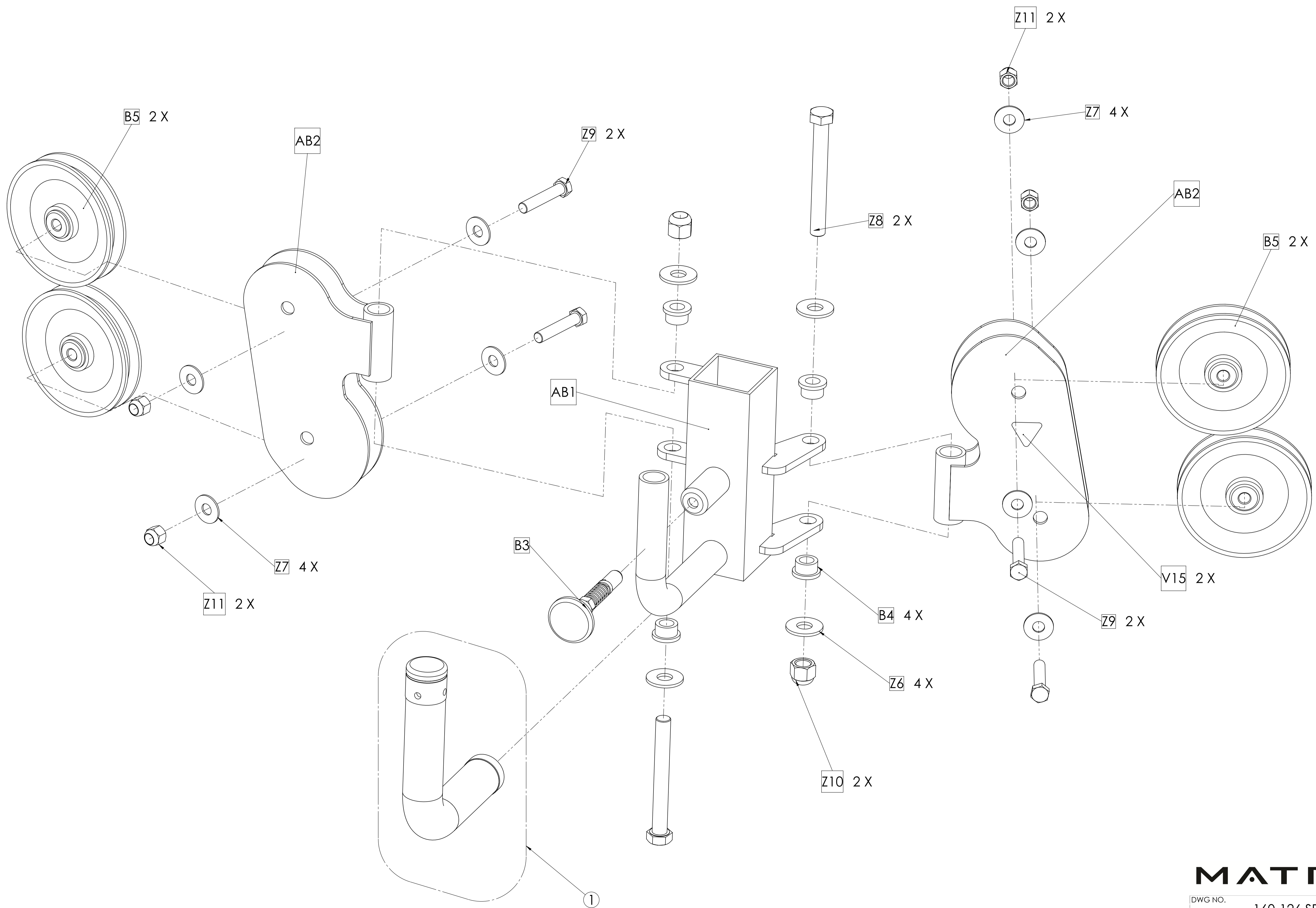


MATRIX	
DWG NO. DP923-04 SERVICE	
DESCRIPTION: Adjustable Pulley (Strength- Multi Station)	
DRAWN BY: LMB	DATE: 2016.APR.08
UPDATED BY: LMB	DATE: 2016.APR.18



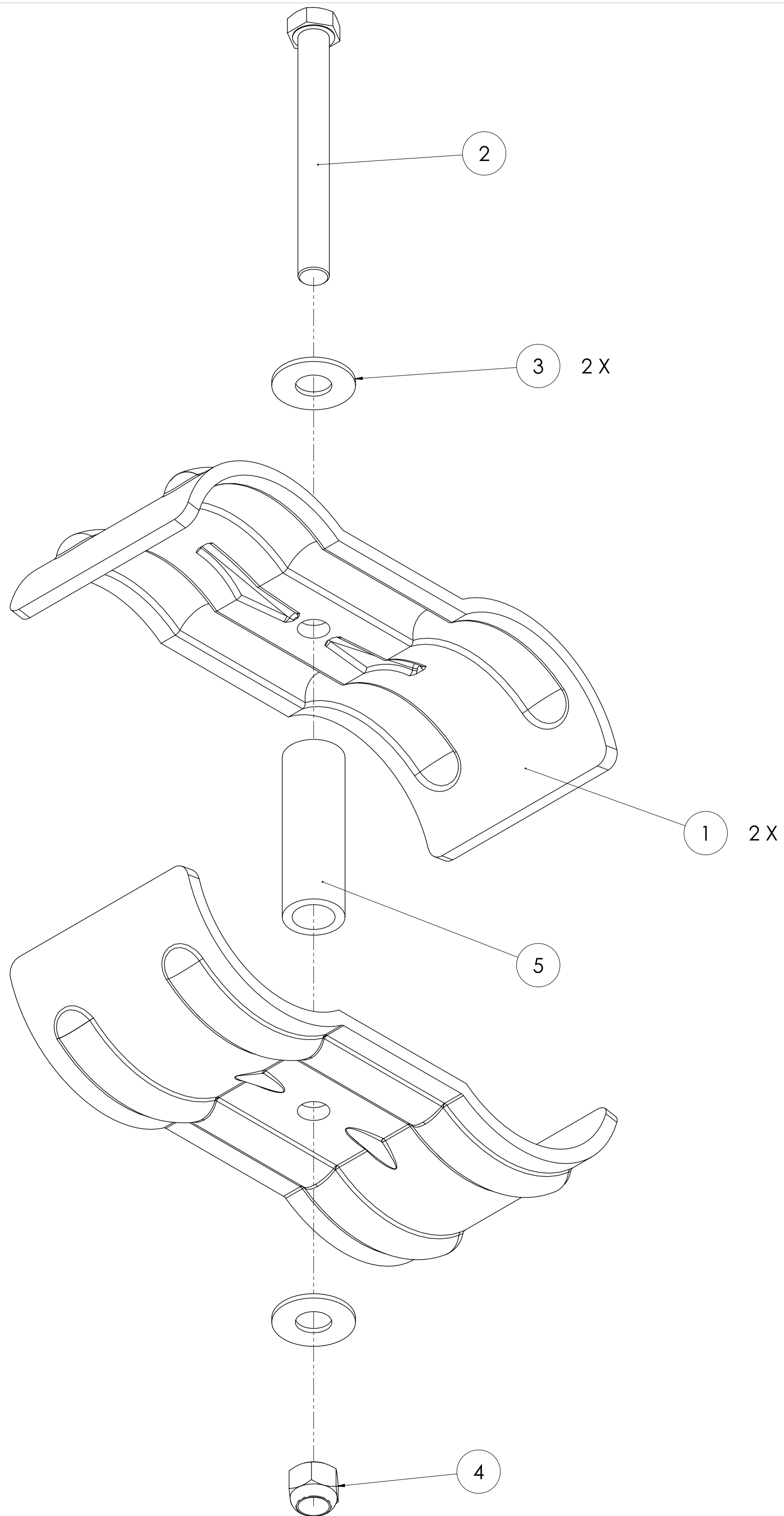
MATRIX

DWG. NO.	KIT1 HAND GRIP		
DESCRIPTION:	HAND GRIP		
DRAWN:	LMB	DATE	13.03.26
UPDATED:	--	DATE	--



MATRIX

DWG NO.	160-126 SERVICE		
DESCRIPTION:	ADJ. QUAD PULLEY W/GRIP		
DRAWN BY:	LMB	DATE	13.08.28
UPDATED BY:	LMB	DATE	2014.OCT.14



MATRIX

DWG NO.

160-257 SERVICE

DESCRIPTION:

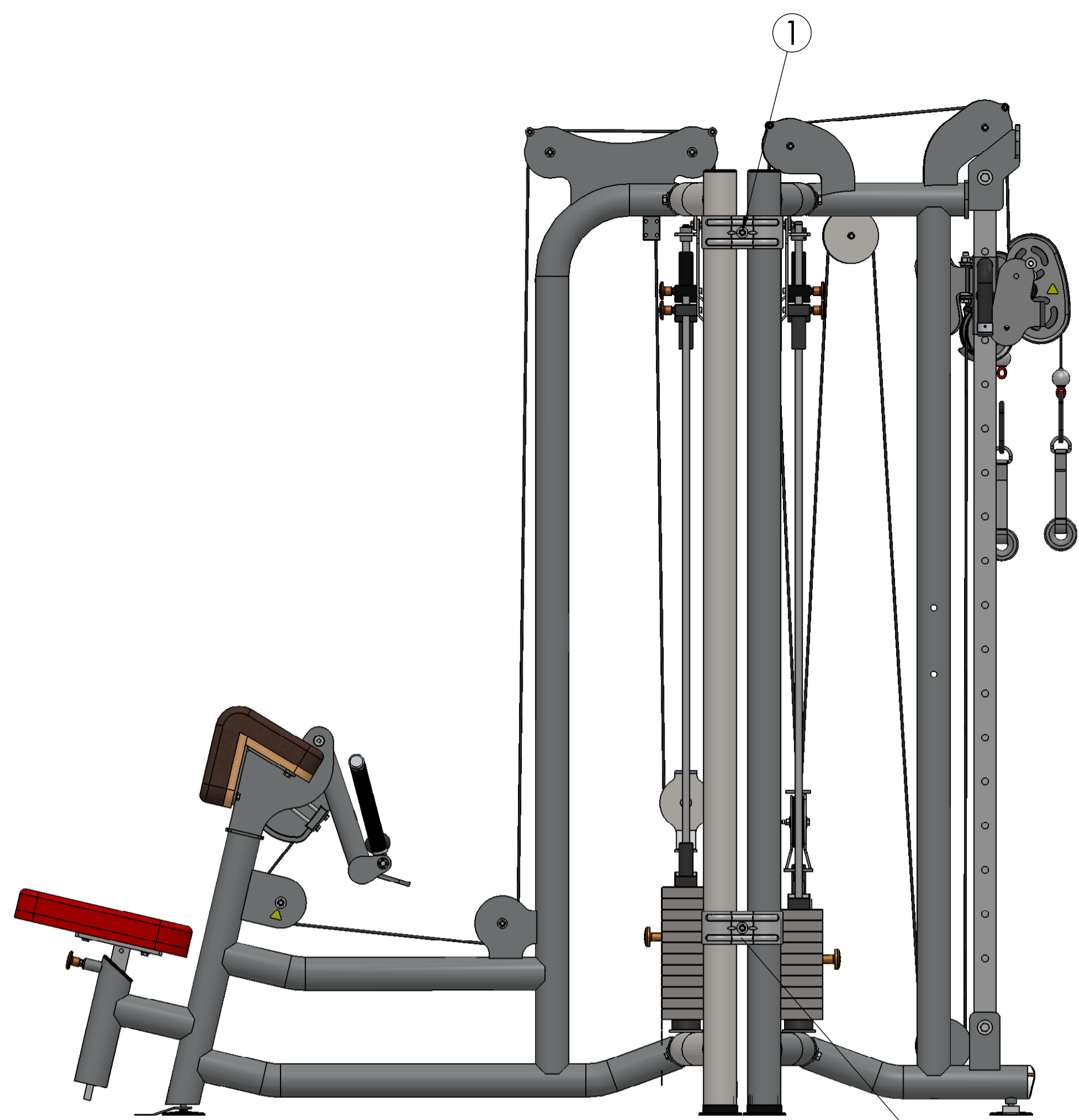
900 SERIES TOWER CLAMP (SINGLE)
(Strength - Multi Station)

DRAWN BY: LMB

DATE: 2016.JAN.14

UPDATED BY:

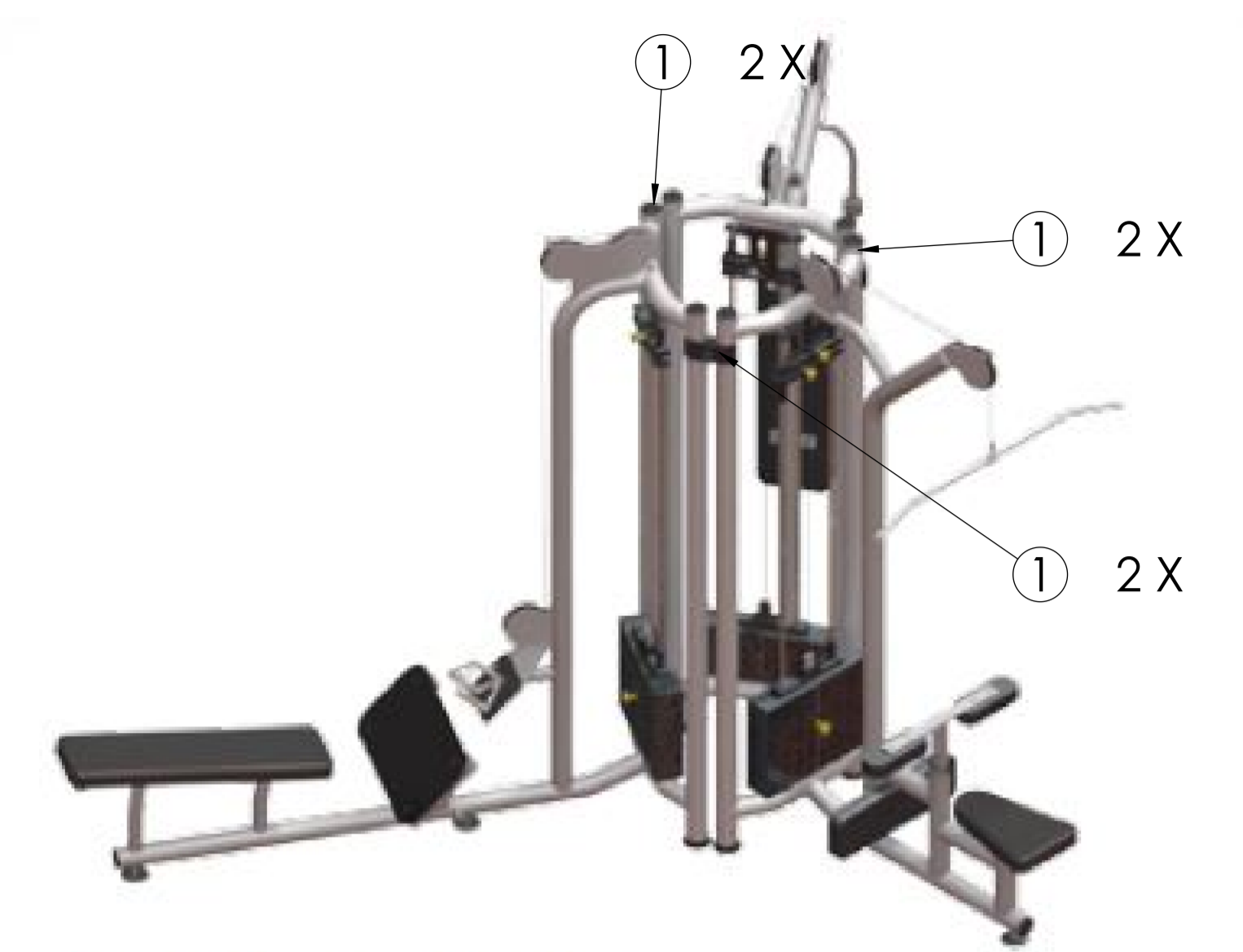
DATE:



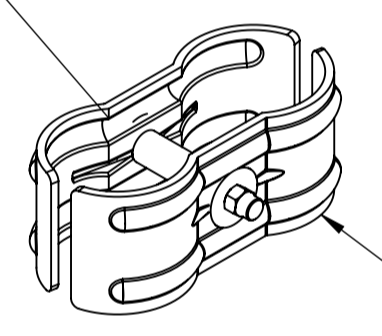
TWO STACK



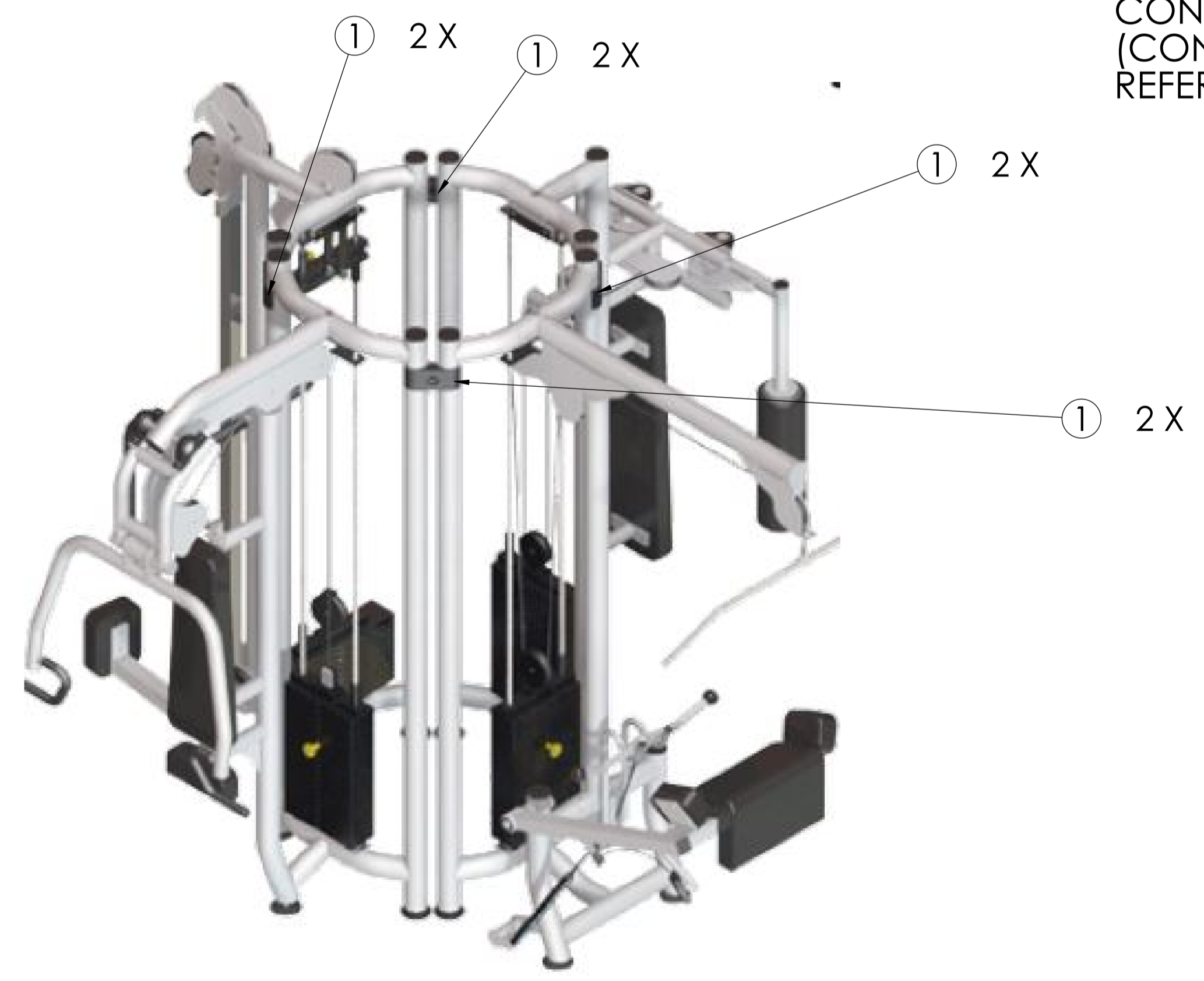
TWO STACK



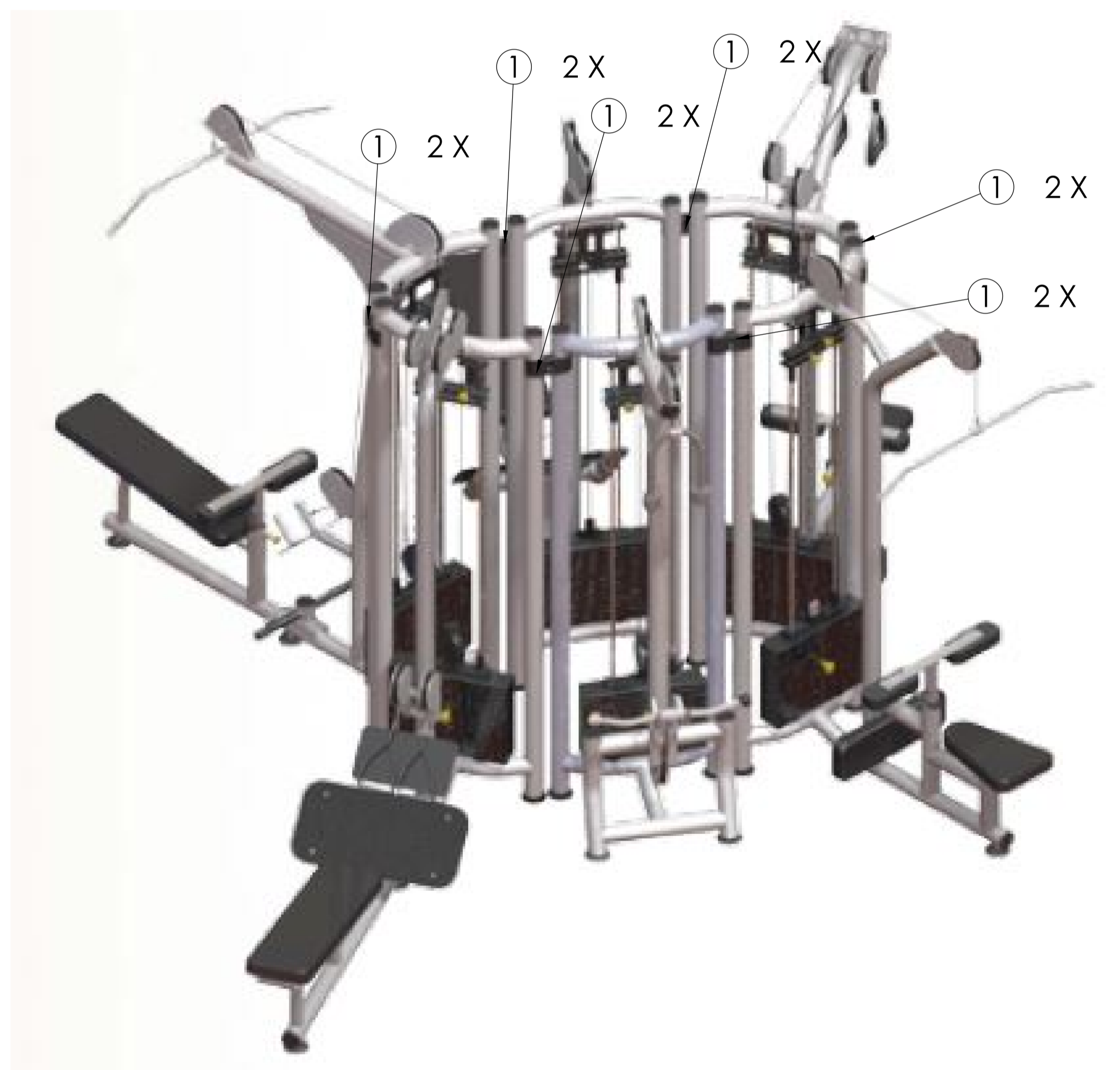
THREE STACK



EXPLODED VIEW SHOWN ON SHEET 1
 NOTE: QUANTITY REQUIRED FOR EACH CONFIGURATION WILL VARY
 (CONFIGURATIONS SHOWN ARE FOR REFERENCE ONLY)



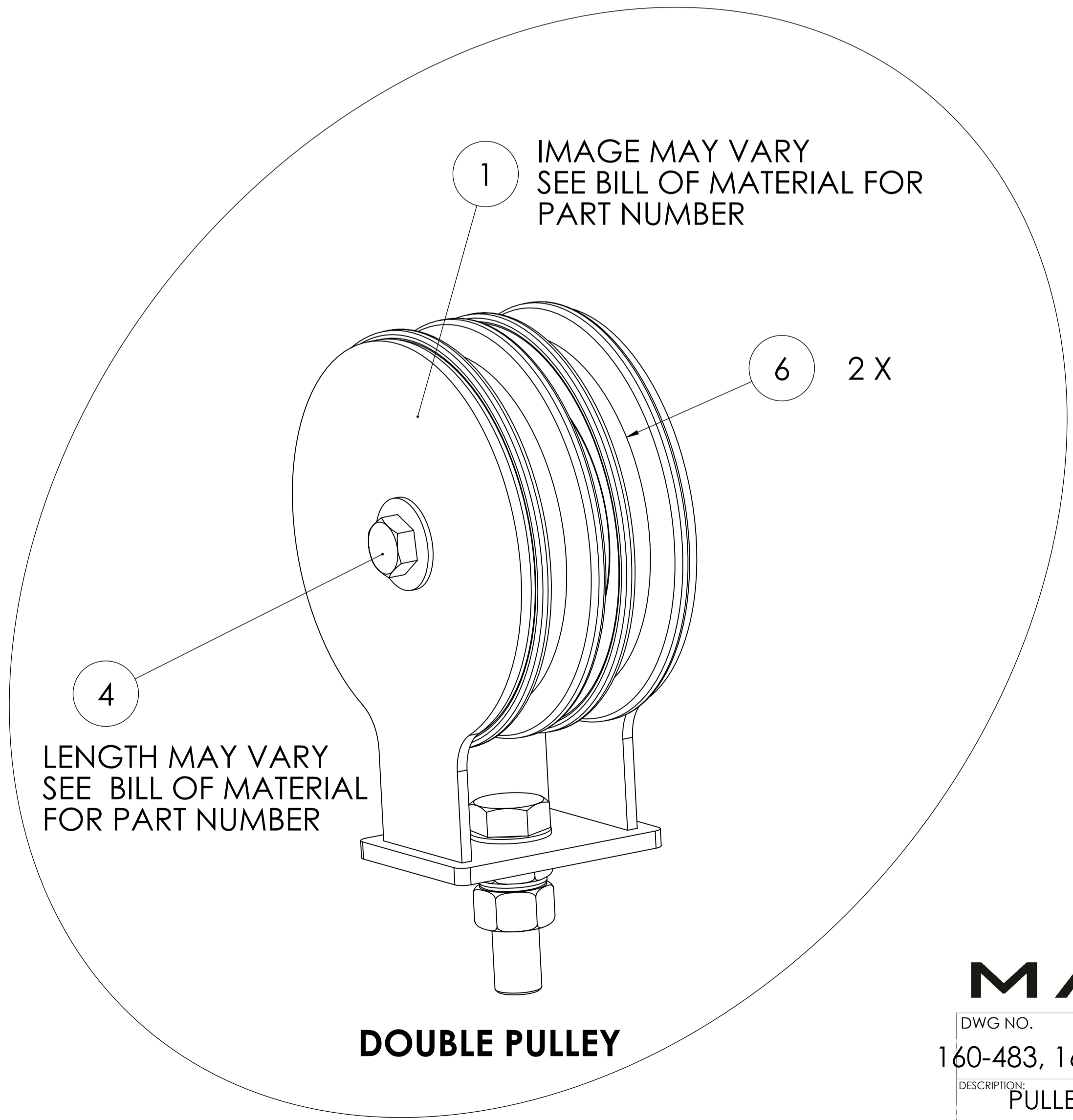
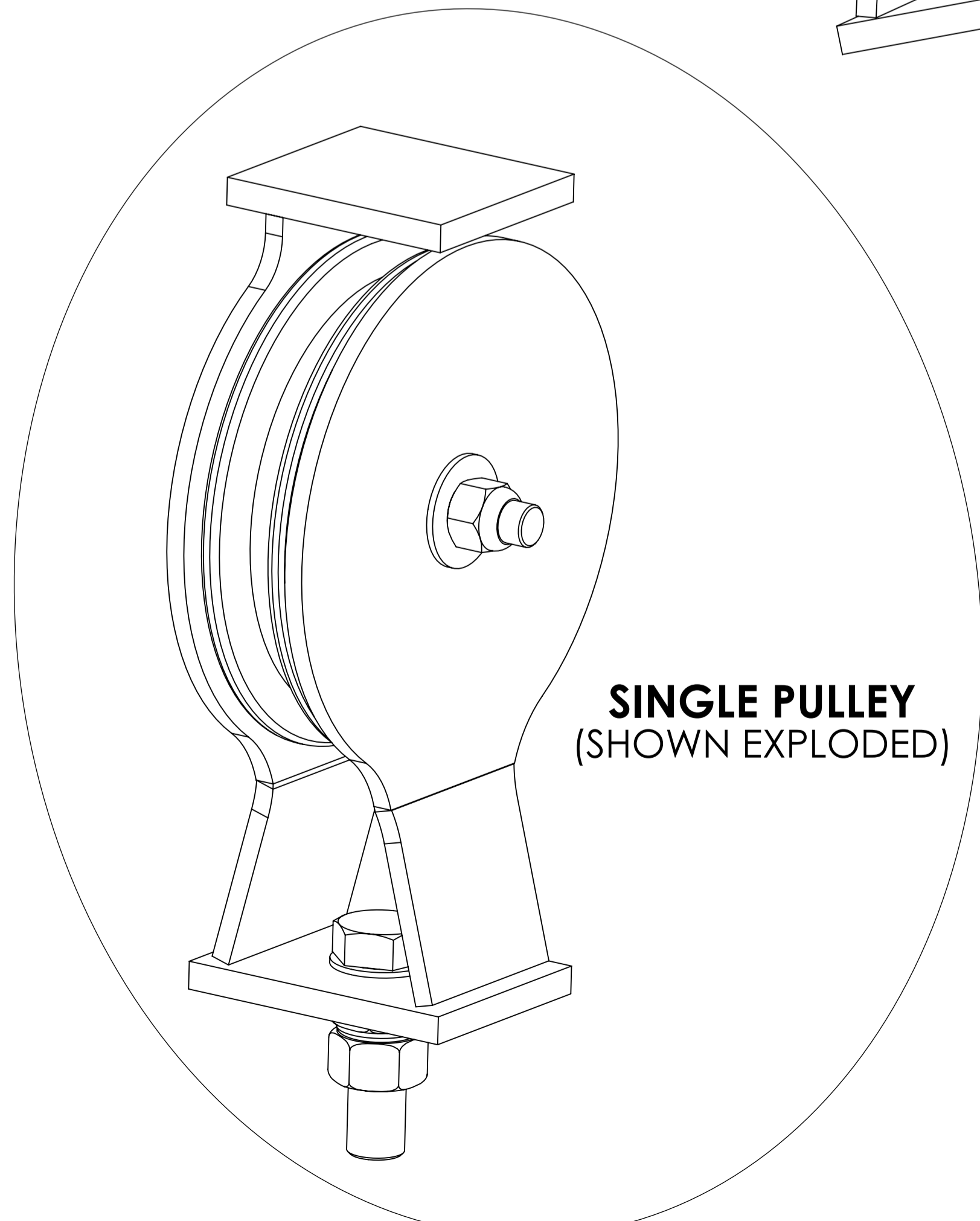
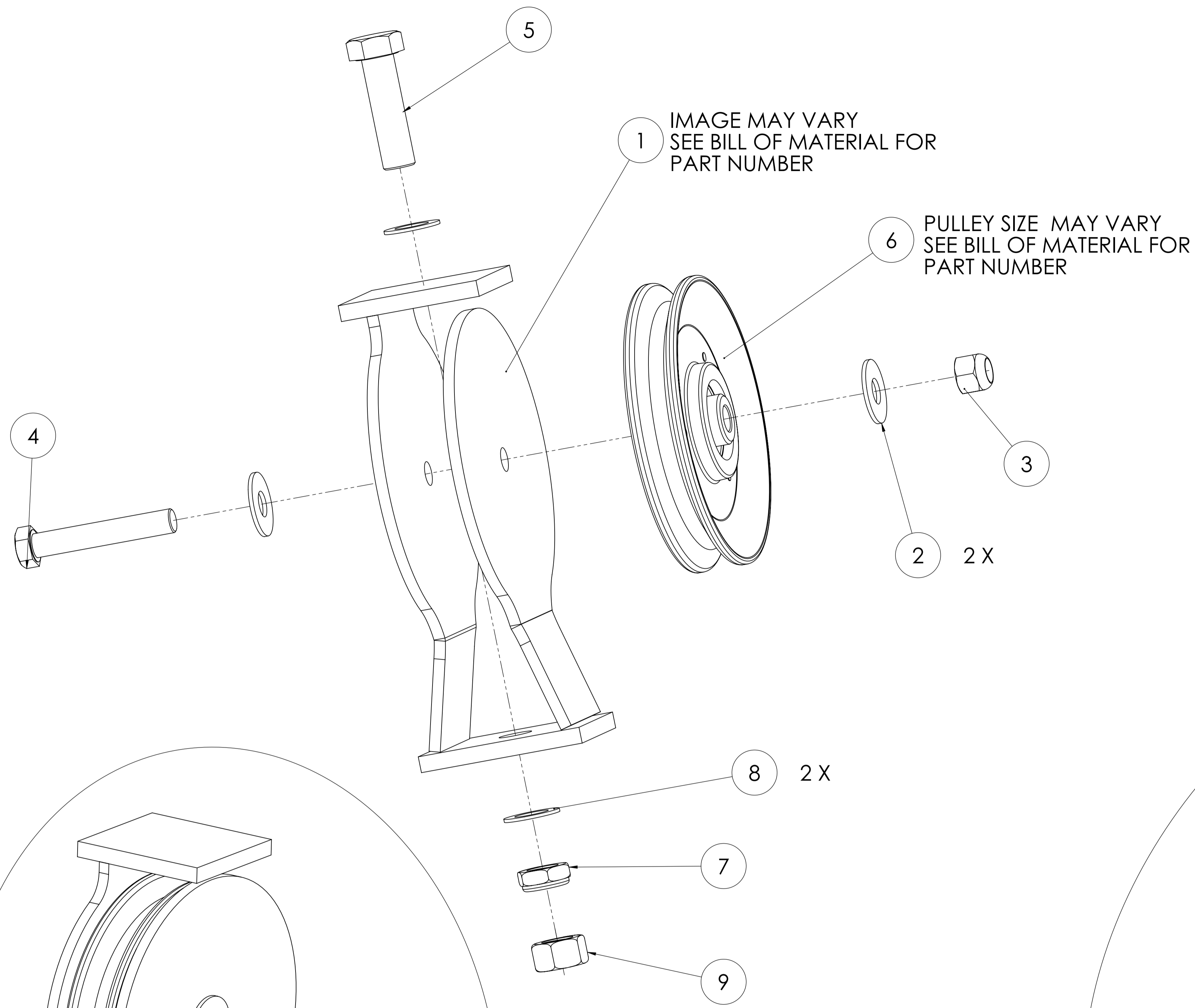
FOUR STACK



SIX STACK

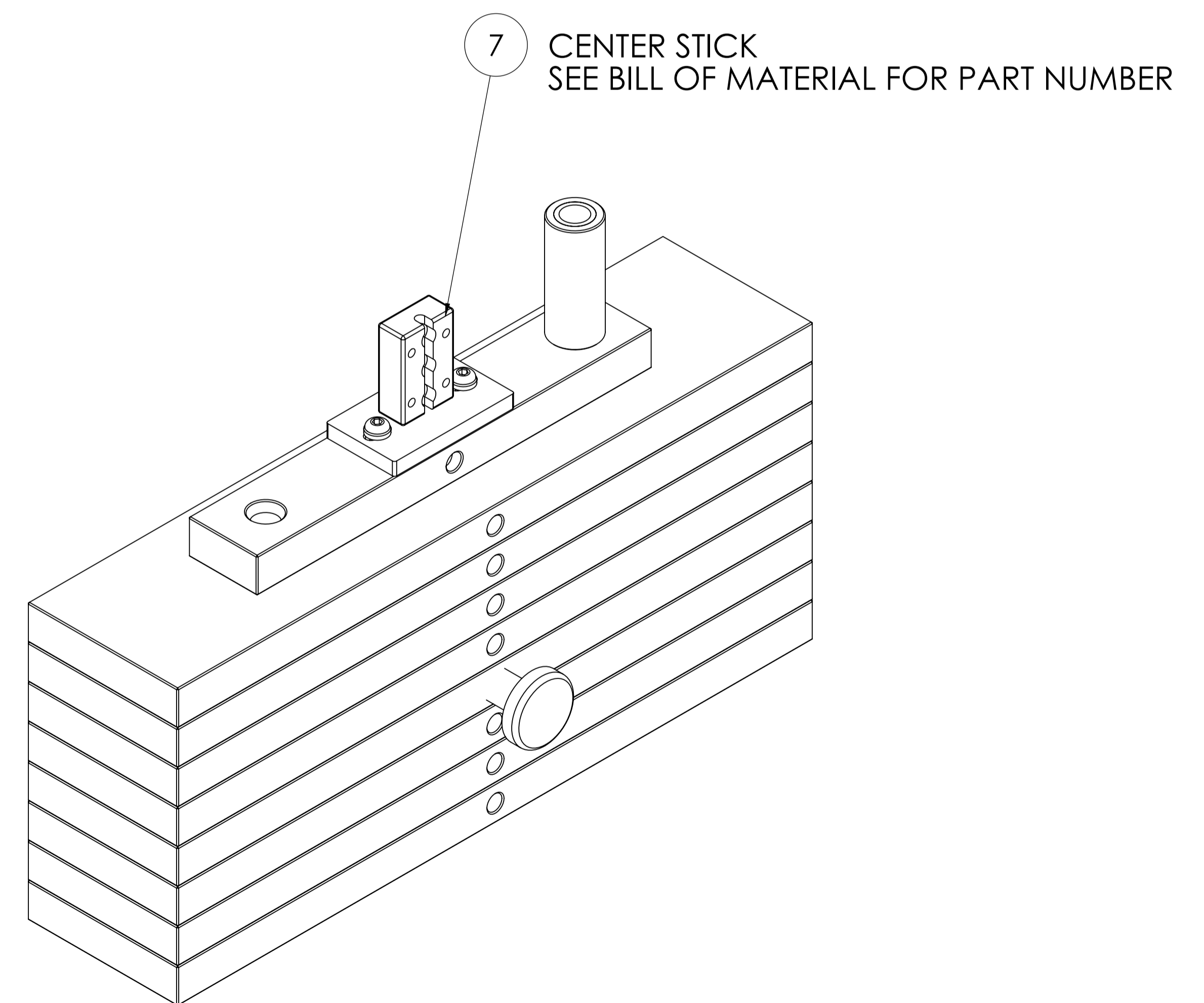
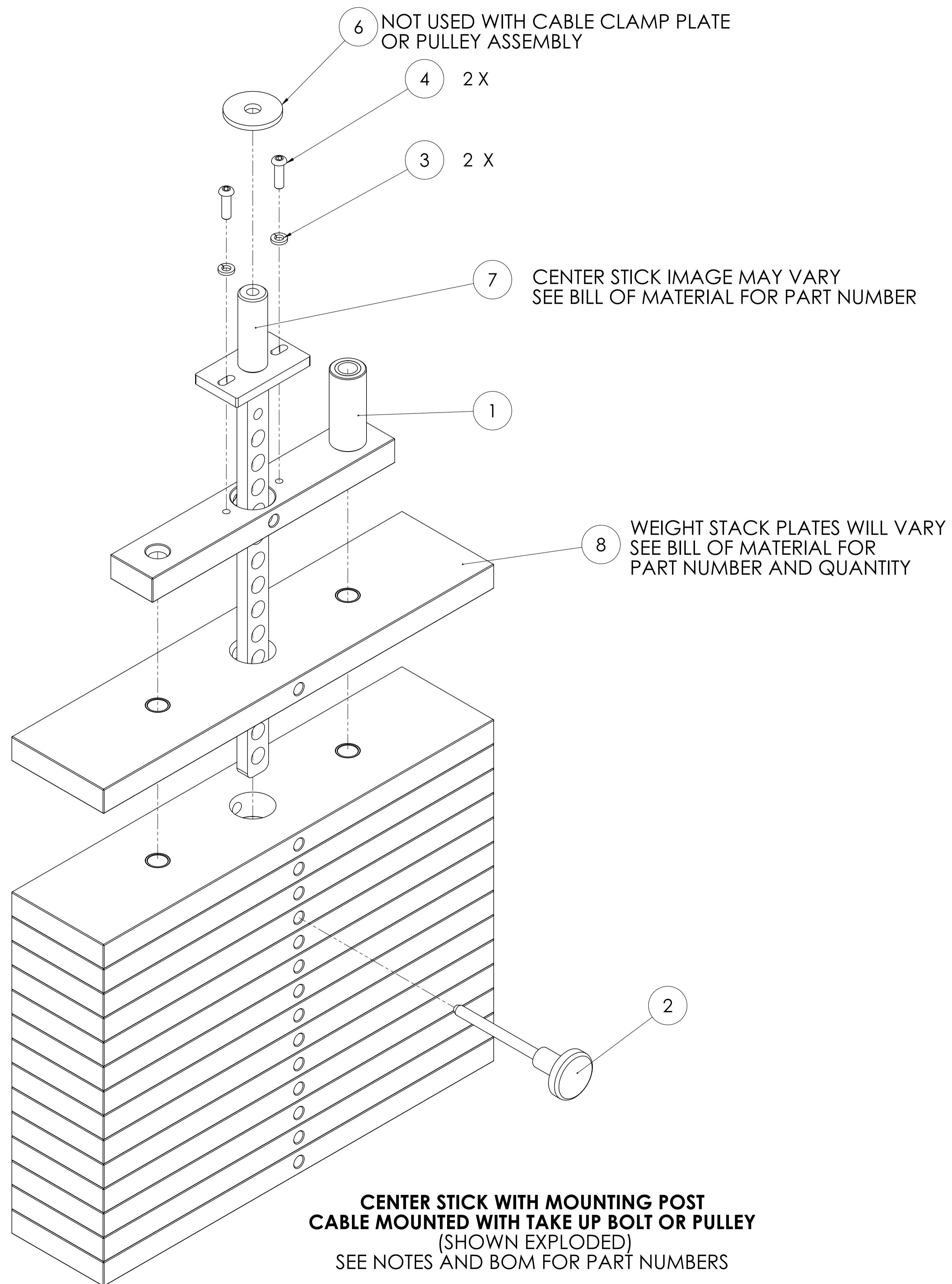
MATRIX

DWG NO.	160-257 SERVICE	
DESCRIPTION:	COUPLER(CONFIGURATIONS) (Strength - Multi Station)	
DRAWN BY:	LMB	DATE: 2016.JAN.14
UPDATED BY:		DATE:



MATRIX

DWG NO.		160-483, 160-484 & 160-492 SERVICE	
DESCRIPTION:		PULLEY;WEIGHT STACK ASSY (Single & Double Pulley- Strength)	
DRAWN BY:	LMB	DATE:	2015.FEB.04
UPDATED BY:	LMB	DATE:	2015.FEB.12



MATRIX

DWG NO.

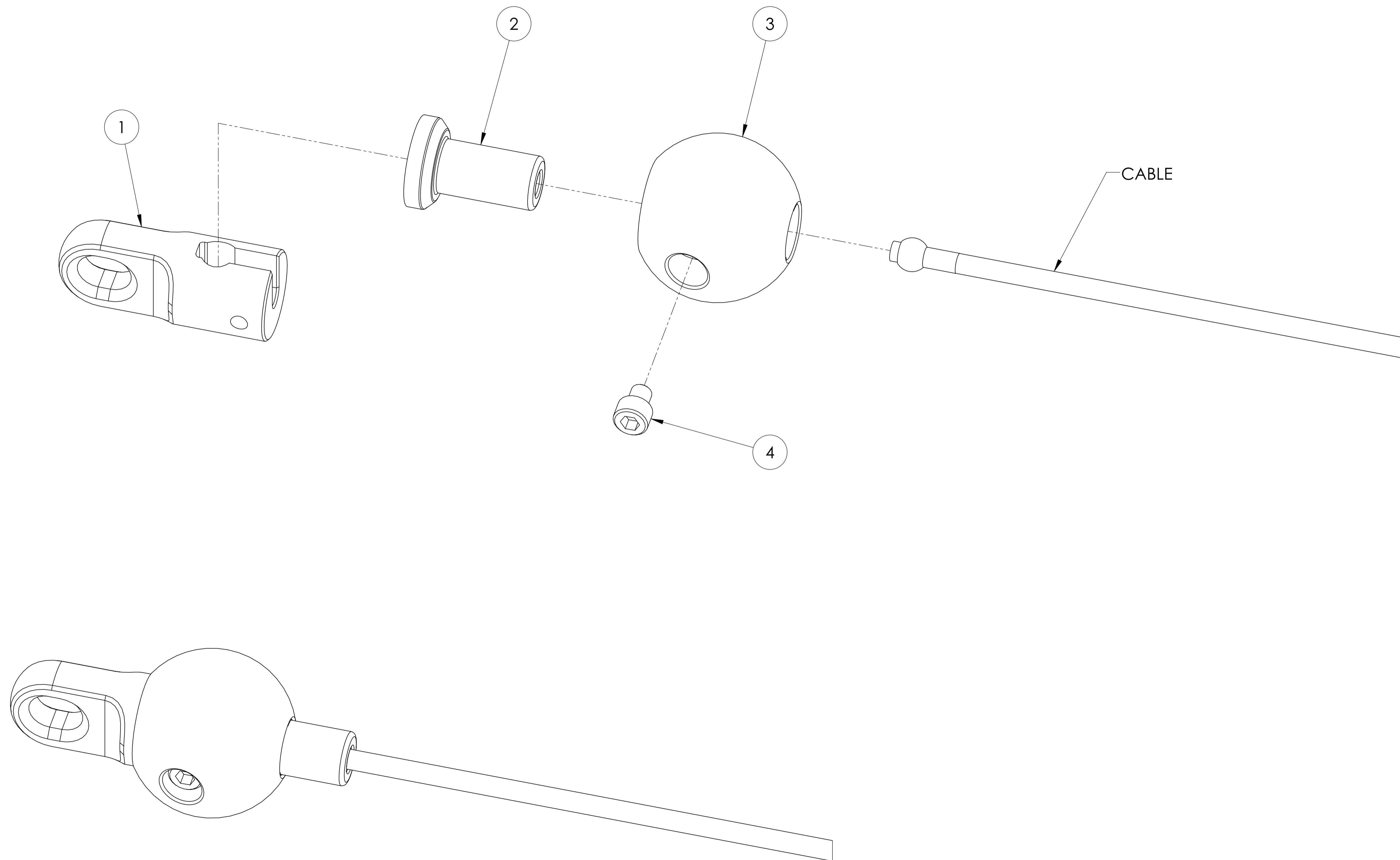
WEIGHT STACK SERVICE

DESCRIPTION:
WEIGHT STACK/CENTER STICK ASSEMBLY

(Take Up Bolt, Pulley & Clamp Style)

DRAWN BY: LMB DATE: 2013.OCT.10

UPDATED BY: LMB DATE: 2015.FEB.04



MATRIX

DWG NO.	161-442 SERVICE		
DESCRIPTION:	CABLE END STOPPER		
DRAWN BY:	LG	DATE:	2019.SEP.18
UPDATED BY:		DATE:	