

MATRIX

DWG NO.

160-257 SERVICE

DESCRIPTION:

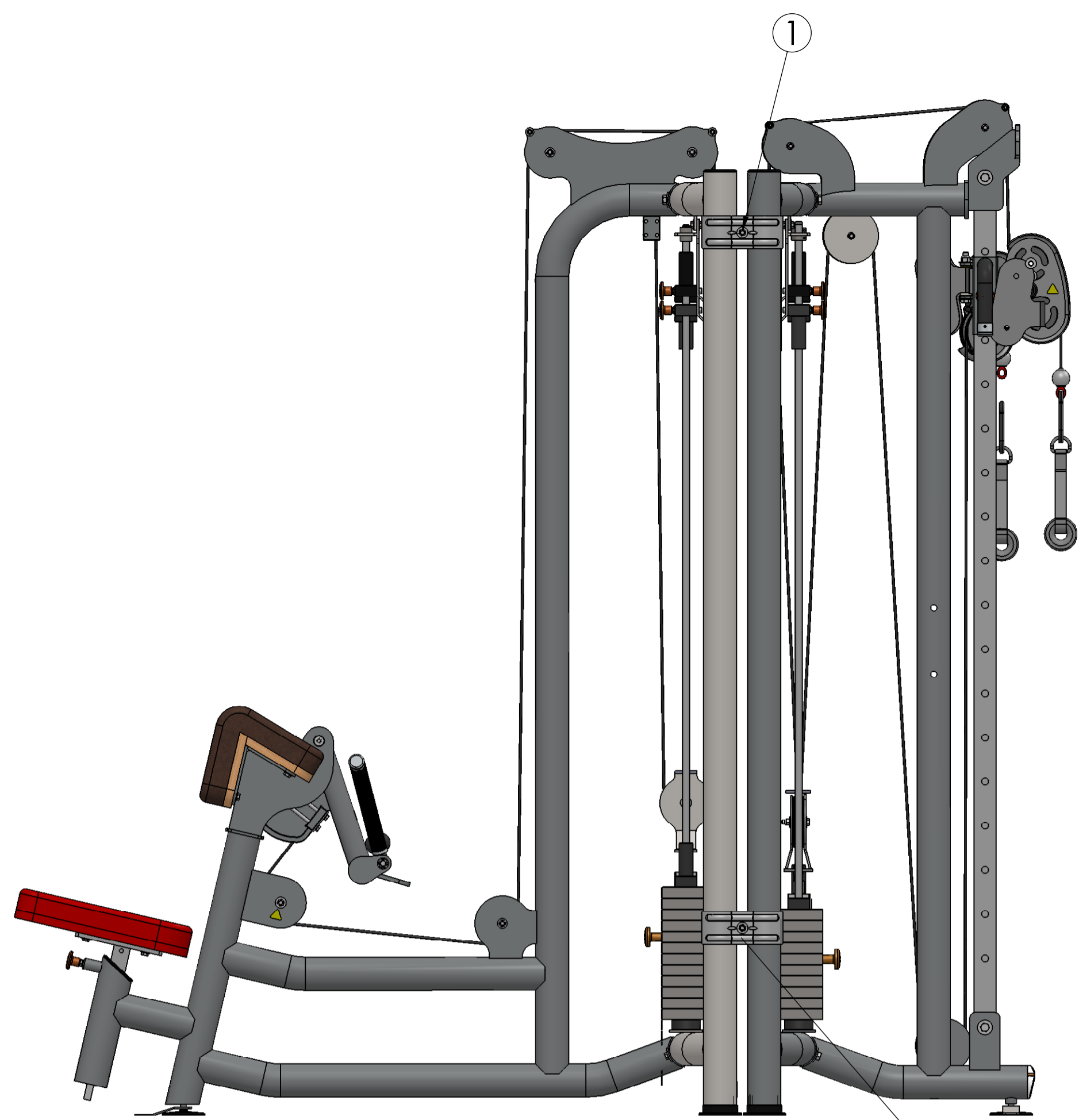
900 SERIES TOWER CLAMP (SINGLE)
(Strength - Multi Station)

DRAWN BY: LMB

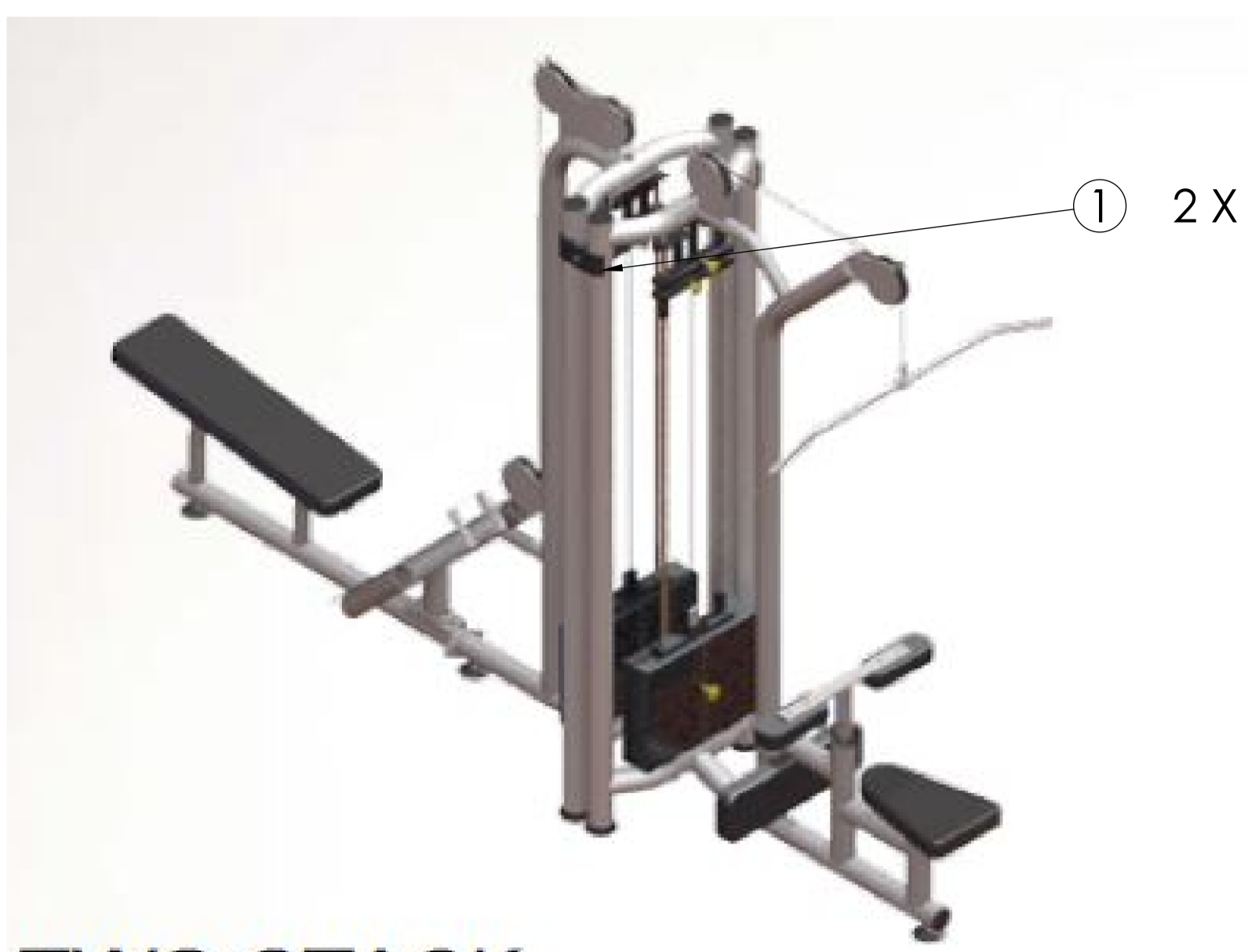
DATE: 2016.JAN.14

UPDATED BY:

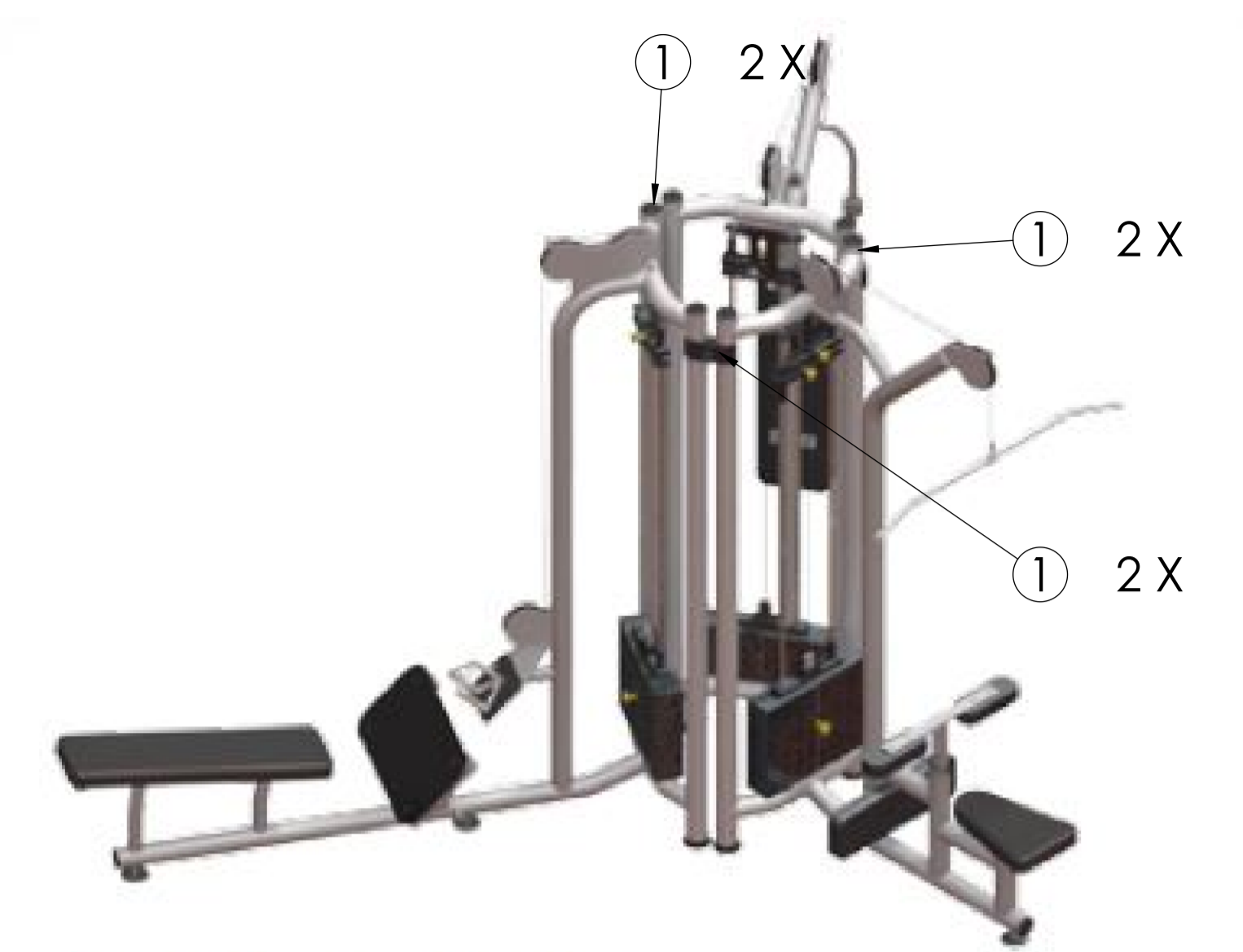
DATE:



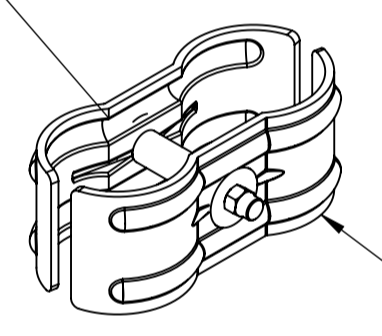
TWO STACK



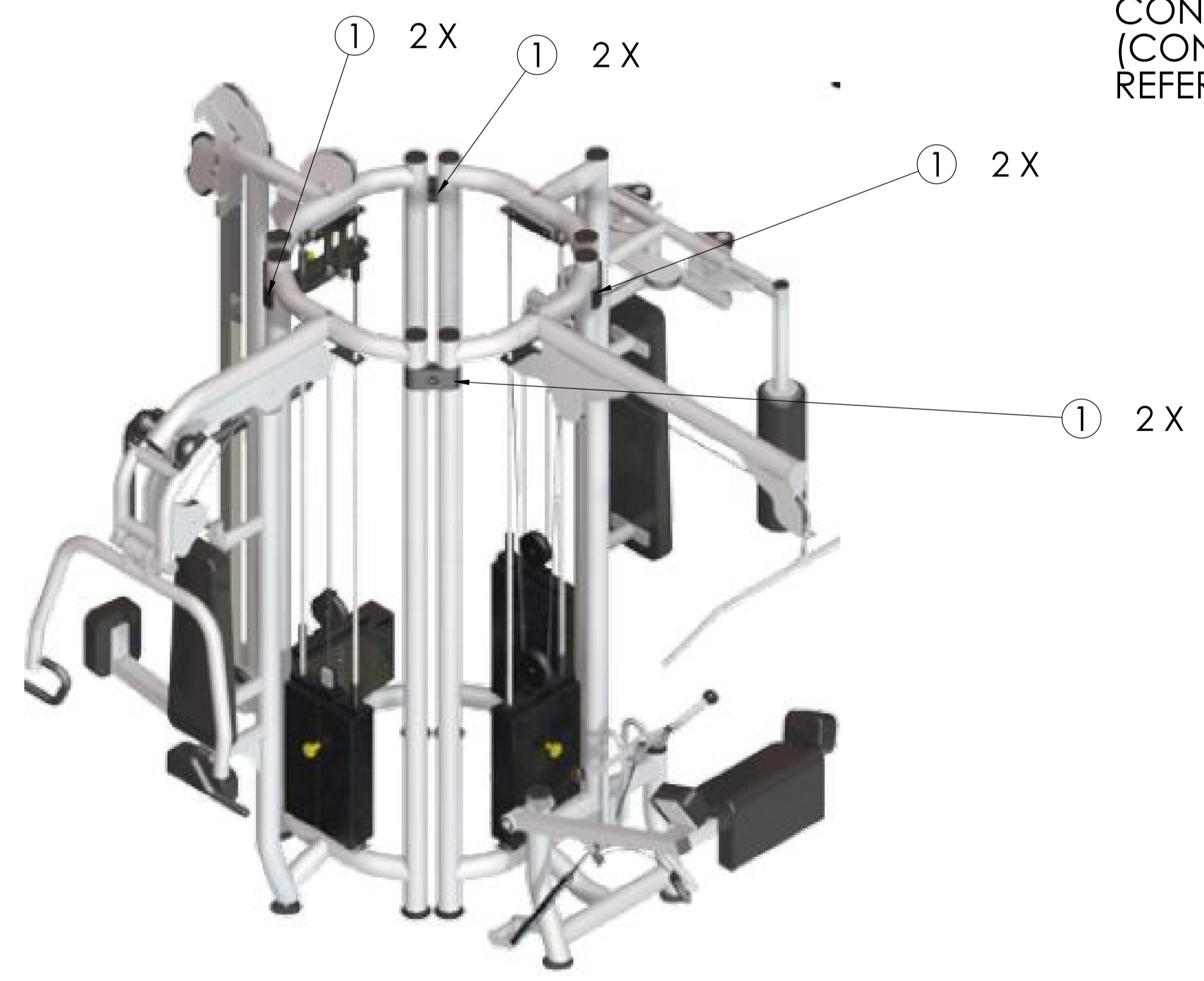
TWO STACK



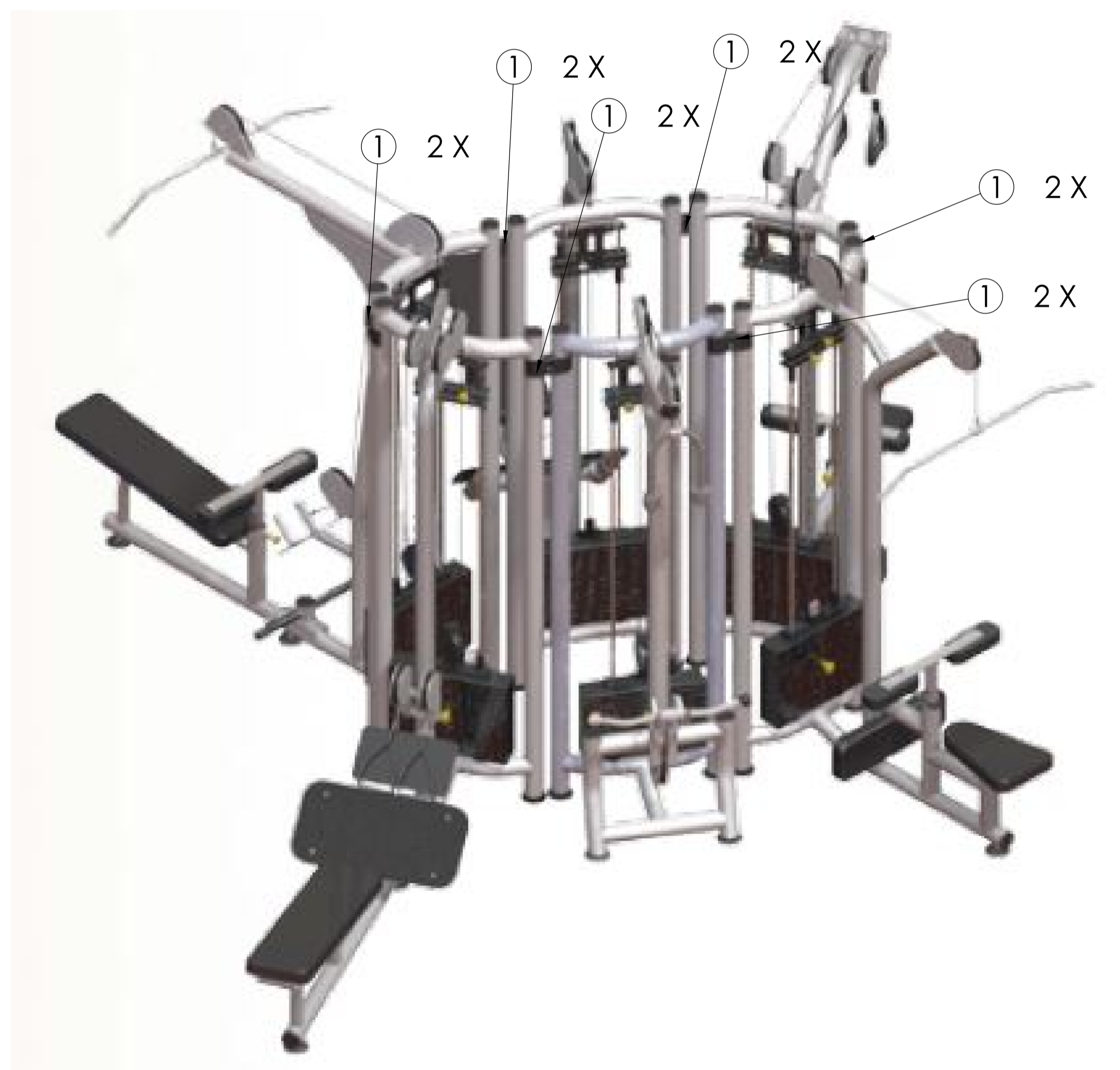
THREE STACK



EXPLODED VIEW SHOWN ON SHEET 1
 NOTE: QUANTITY REQUIRED FOR EACH CONFIGURATION WILL VARY
 (CONFIGURATIONS SHOWN ARE FOR REFERENCE ONLY)



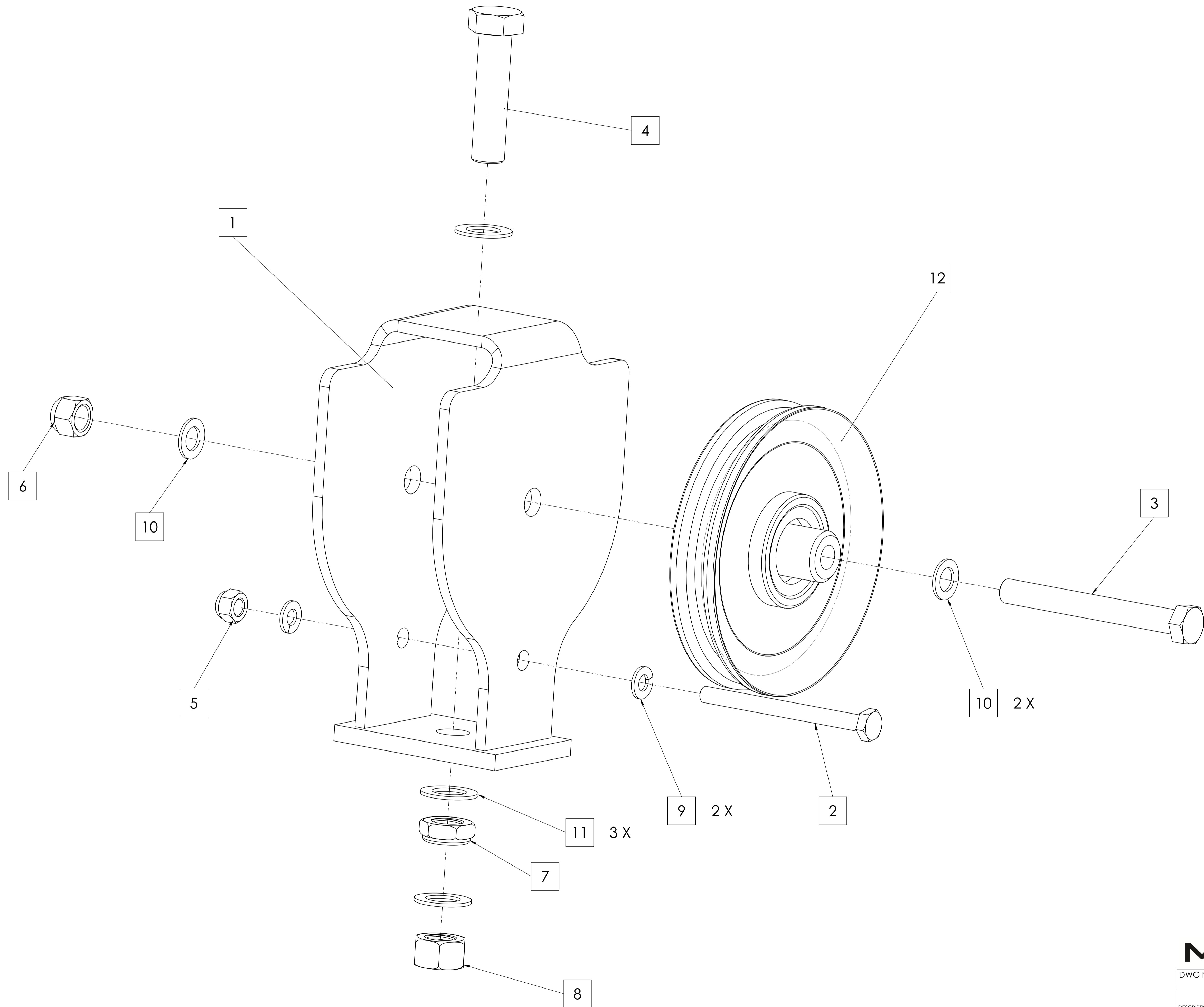
FOUR STACK



SIX STACK

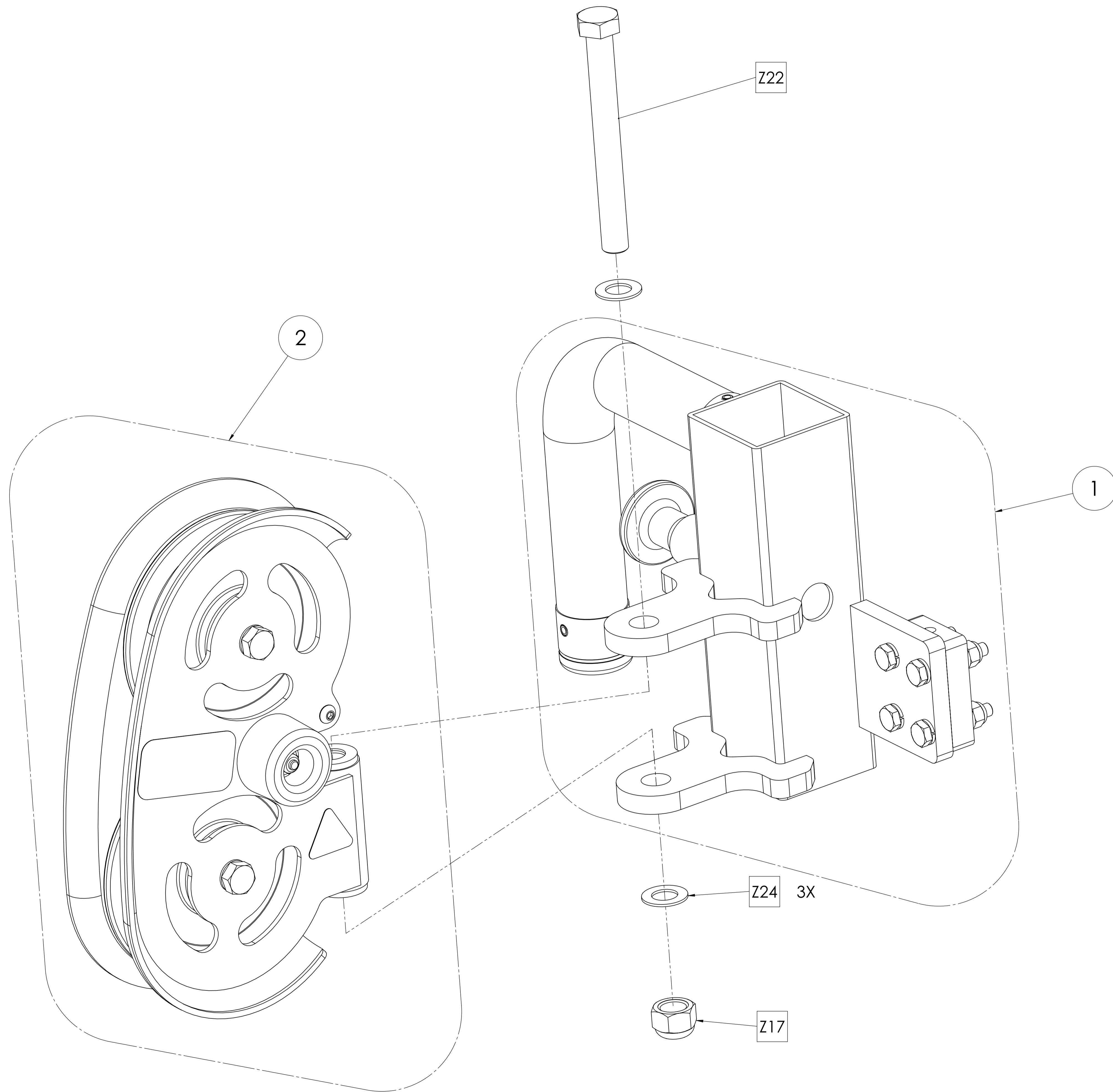
MATRIX

DWG NO.		160-257 SERVICE	
DESCRIPTION:		COUPLER(CONFIGURATIONS) (Strength - Multi Station)	
DRAWN BY:	LMB	DATE:	2016.JAN.14
UPDATED BY:		DATE:	



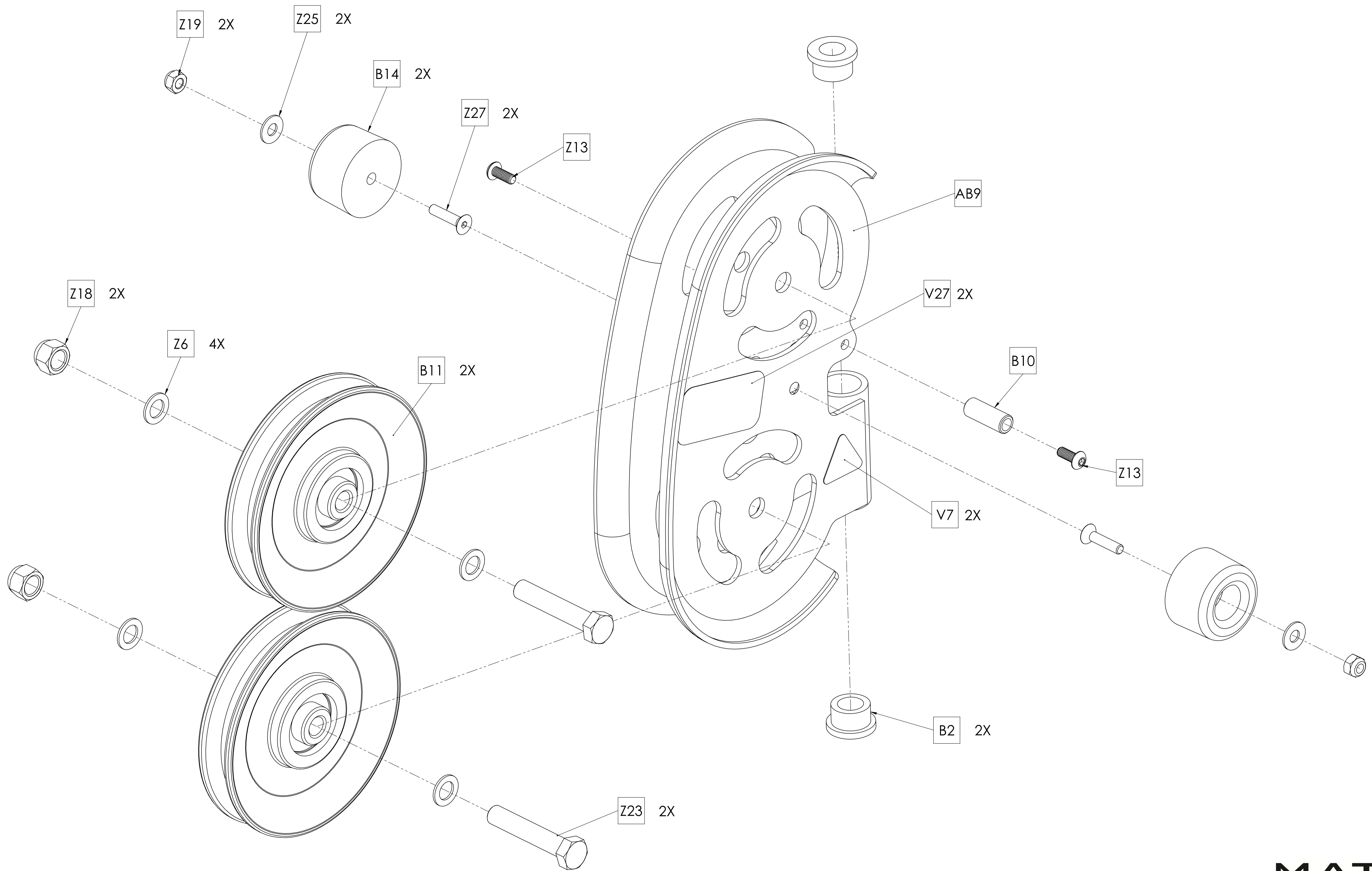
MATRIX

DWG NO.		160-865 SERVICE	
DESCRIPTION:		PULLEY;WEIGHT STACK ASSY (Strength)	
DRAWN BY:	LMB	DATE:	2016.MAR.25
UPDATED BY:	--	DATE:	--



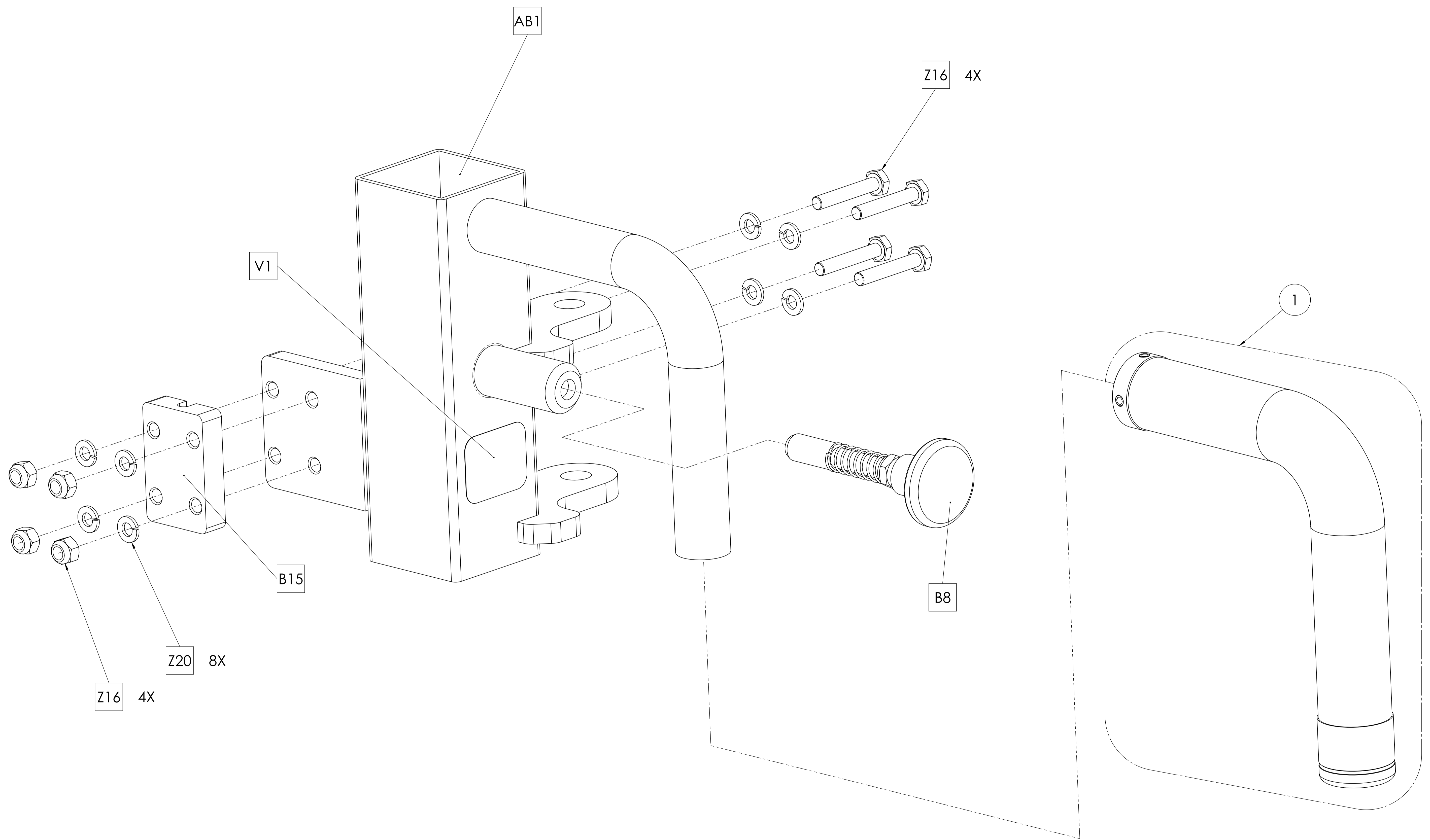
MATRIX

DWG NO.		160-881 SERVICE	
DESCRIPTION:		DOUBLE PULLEY;BOOK;FORMED (Strength)	
DRAWN BY:	LMB	DATE:	2016.MAR.25
UPDATED BY:	--	DATE:	--



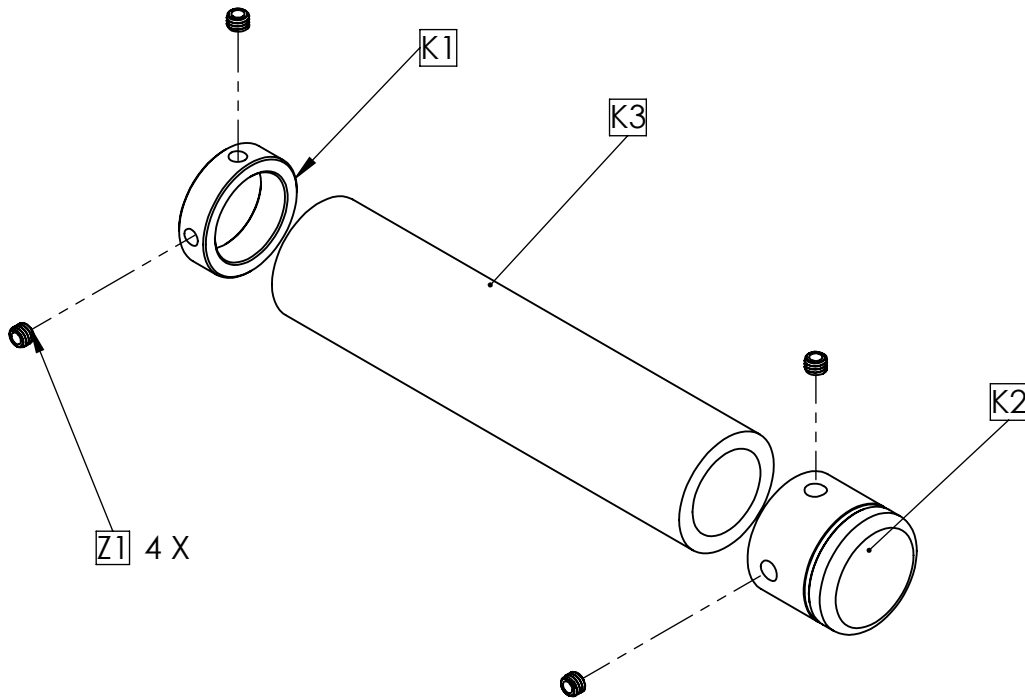
MATRIX

DWG NO.		
161-147 SERVICE		
DESCRIPTION: DOUBLE PULLEY;BOOK;FORMED (Strength)		
DRAWN BY:	LMB	DATE: 2016.MAR.25
UPDATED BY:	--	DATE: --



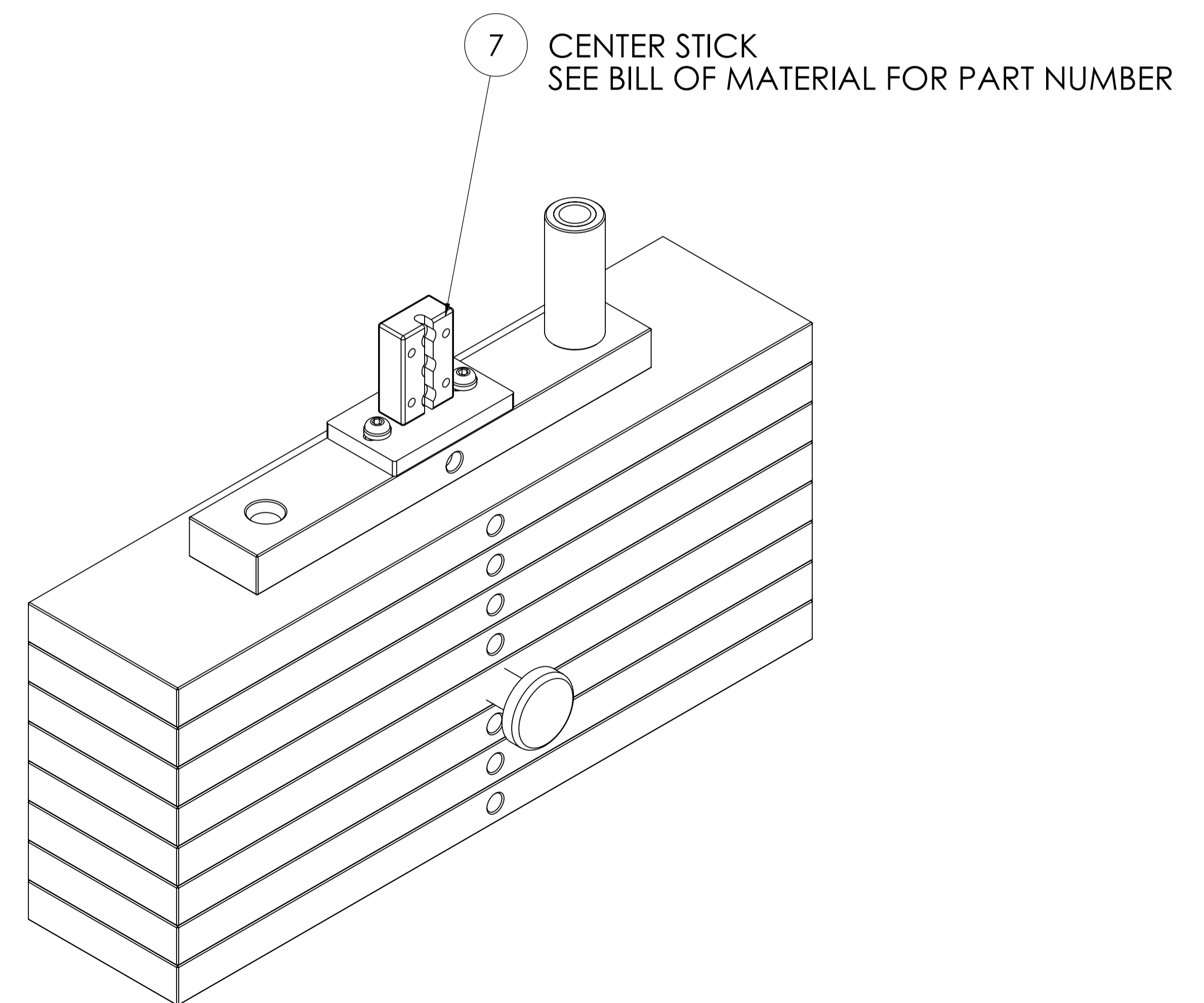
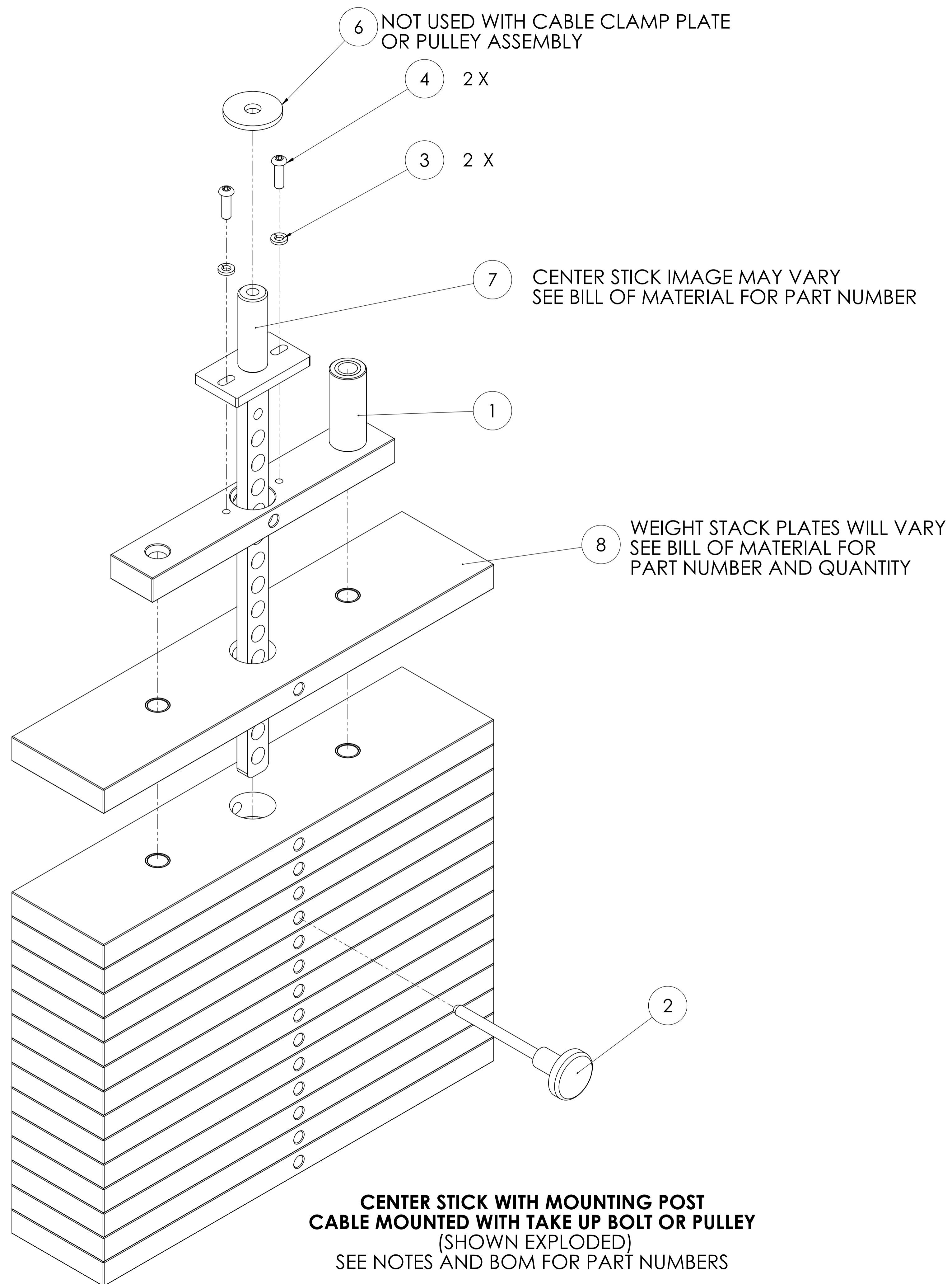
MATRIX

DWG NO.	161-148 SERVICE		
DESCRIPTION:	SLIDE ASSEMBLY; FORMED BOOK (Strength)		
DRAWN BY:	LMB	DATE:	2016.JUL.26
UPDATED BY:	LMB	DATE:	2017.AUG.17



MATRIX

DWG. NO.	KIT1 HAND GRIP	
DESCRIPTION:	HAND GRIP	
DRAWN:	LMB	DATE 13.03.26
UPDATED:	--	DATE --



MATRIX

DWG NO.

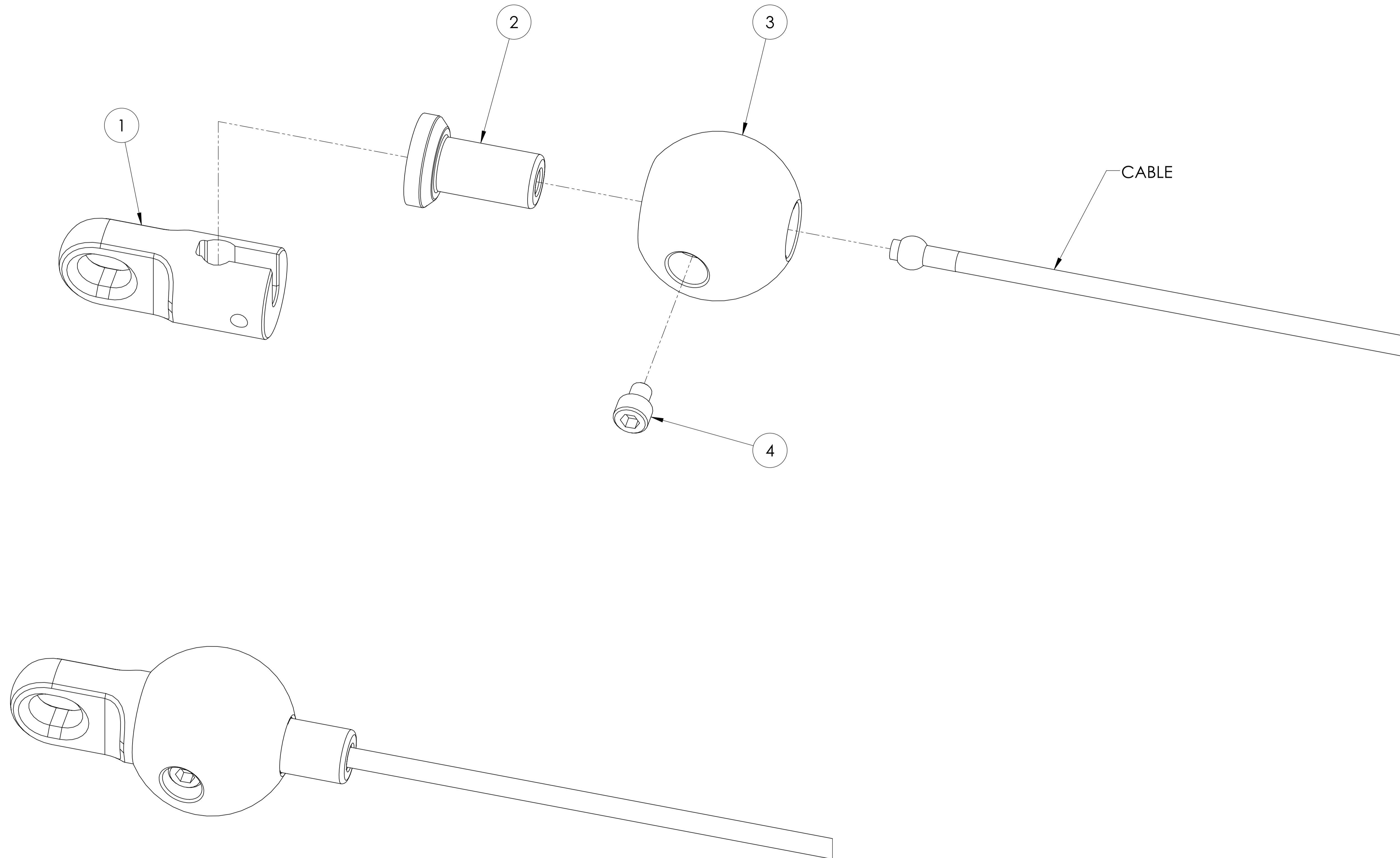
WEIGHT STACK SERVICE

DESCRIPTION:
WEIGHT STACK/CENTER STICK ASSEMBLY

(Take Up Bolt, Pulley & Clamp Style)

DRAWN BY: LMB DATE: 2013.OCT.10

UPDATED BY: LMB DATE: 2015.FEB.04



MATRIX

DWG NO. 161-442 SERVICE

DESCRIPTION: CABLE END STOPPER

DRAWN BY: LG DATE: 2019.SEP.18

UPDATED BY: DATE: