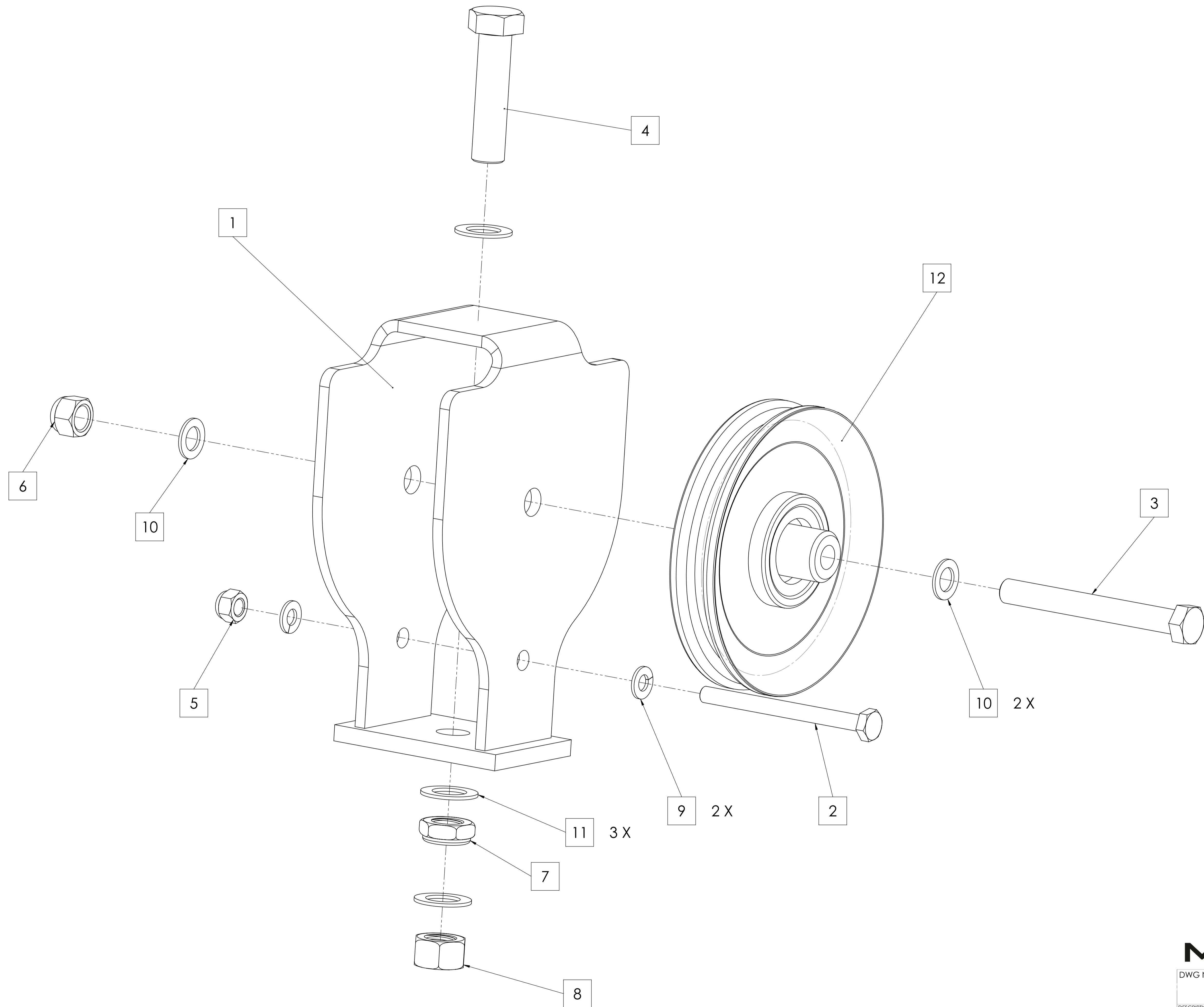


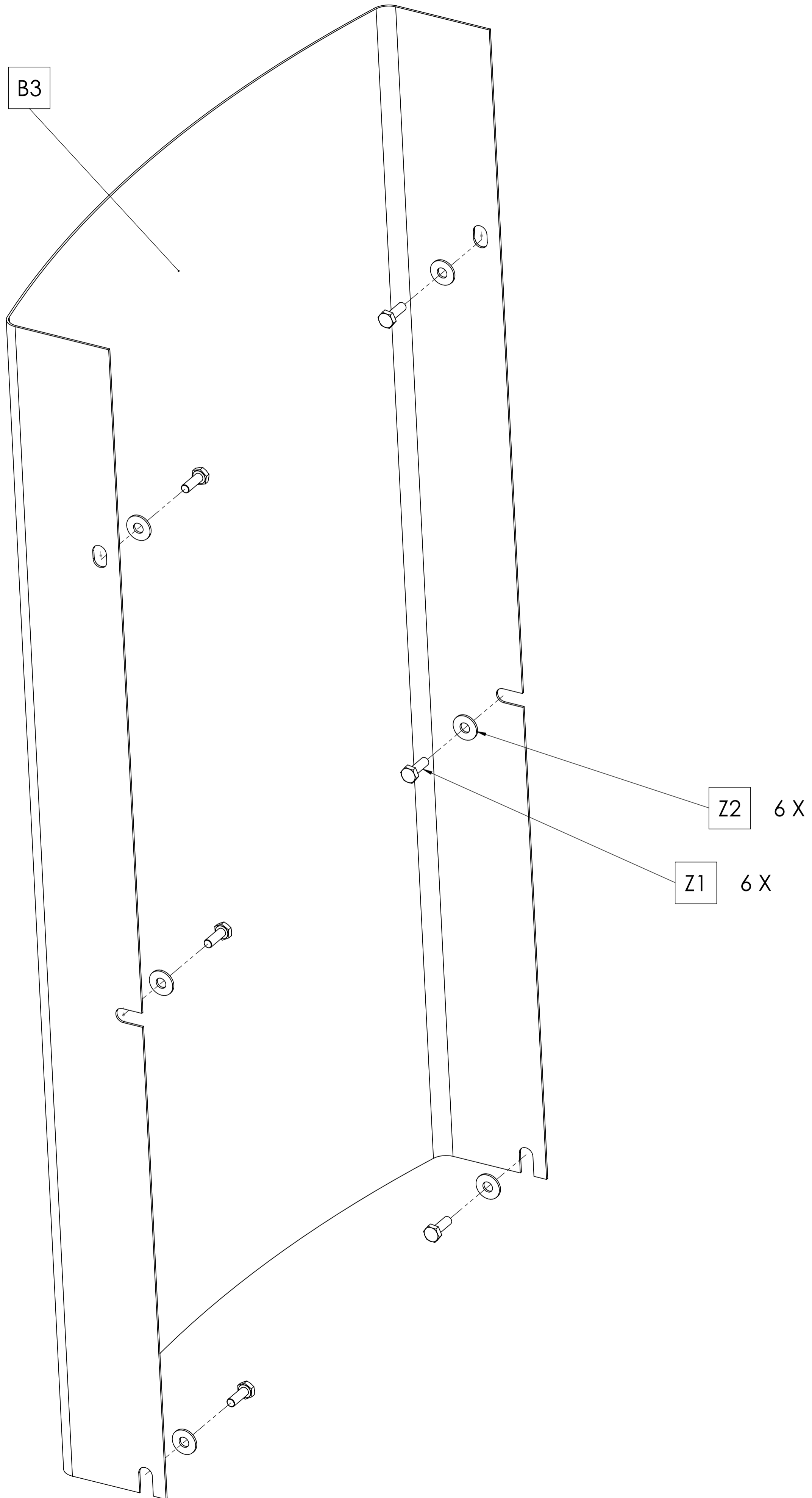
MATRIX

DWG NO.	FS924-04 SERVICE		
DESCRIPTION:	ADJUSTABLE CROSSOVER (Strength - Multi Station)		
DRAWN BY:	LMB	DATE:	2016.APR.06
UPDATED BY:	LMB	DATE:	2016.NOV.14



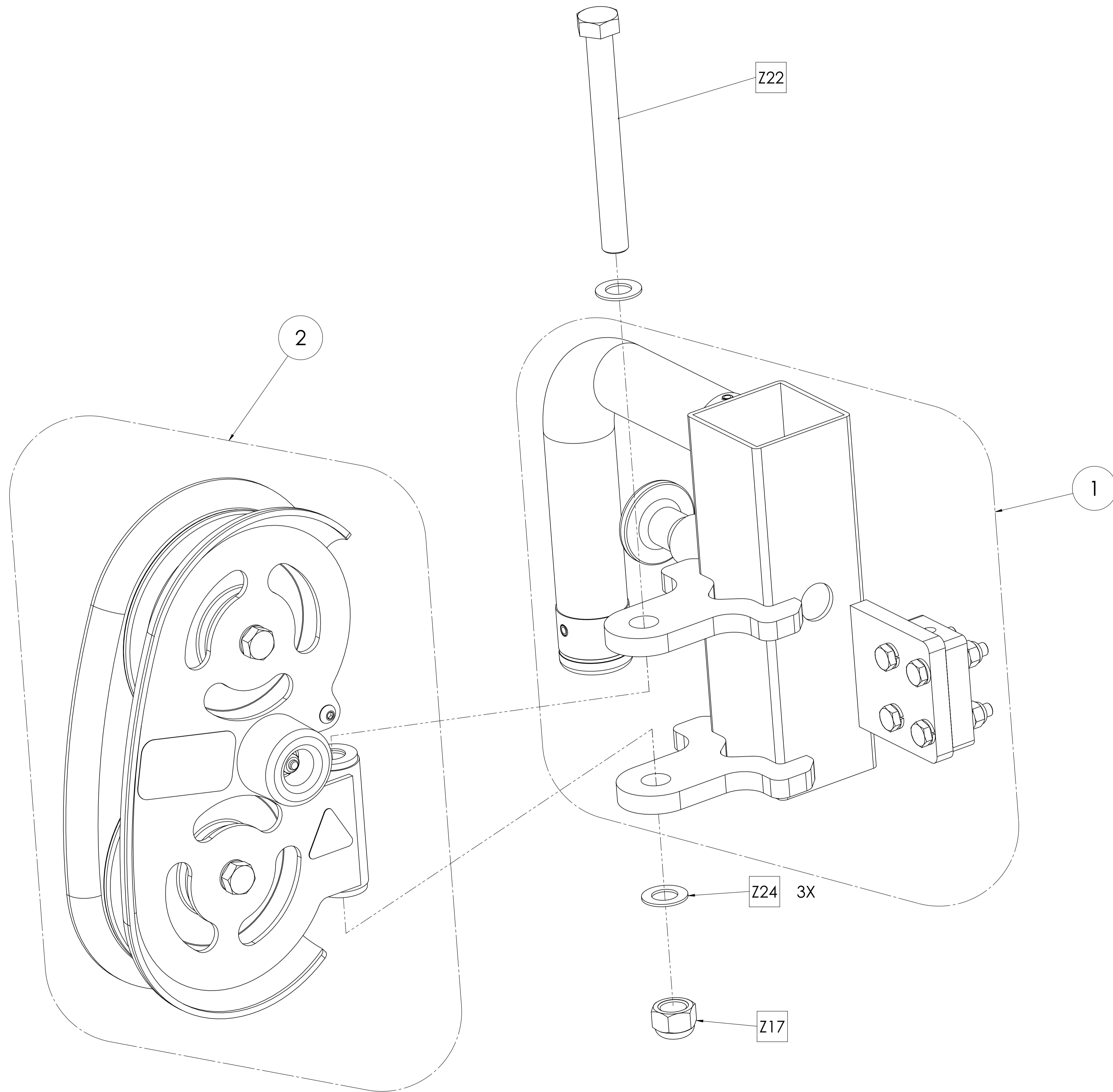
MATRIX

DWG NO.		160-865 SERVICE	
DESCRIPTION:		PULLEY;WEIGHT STACK ASSY (Strength)	
DRAWN BY:	LMB	DATE:	2016.MAR.25
UPDATED BY:	--	DATE:	--



MATRIX

DWG NO.			161-060 SERVICE		
DESCRIPTION:			900 SERIES FS REAR COVER (Strength)		
DRAWN BY:	LMB	DATE:	2016.MAR.29		
UPDATED BY:	--	DATE:	--		



MATRIX

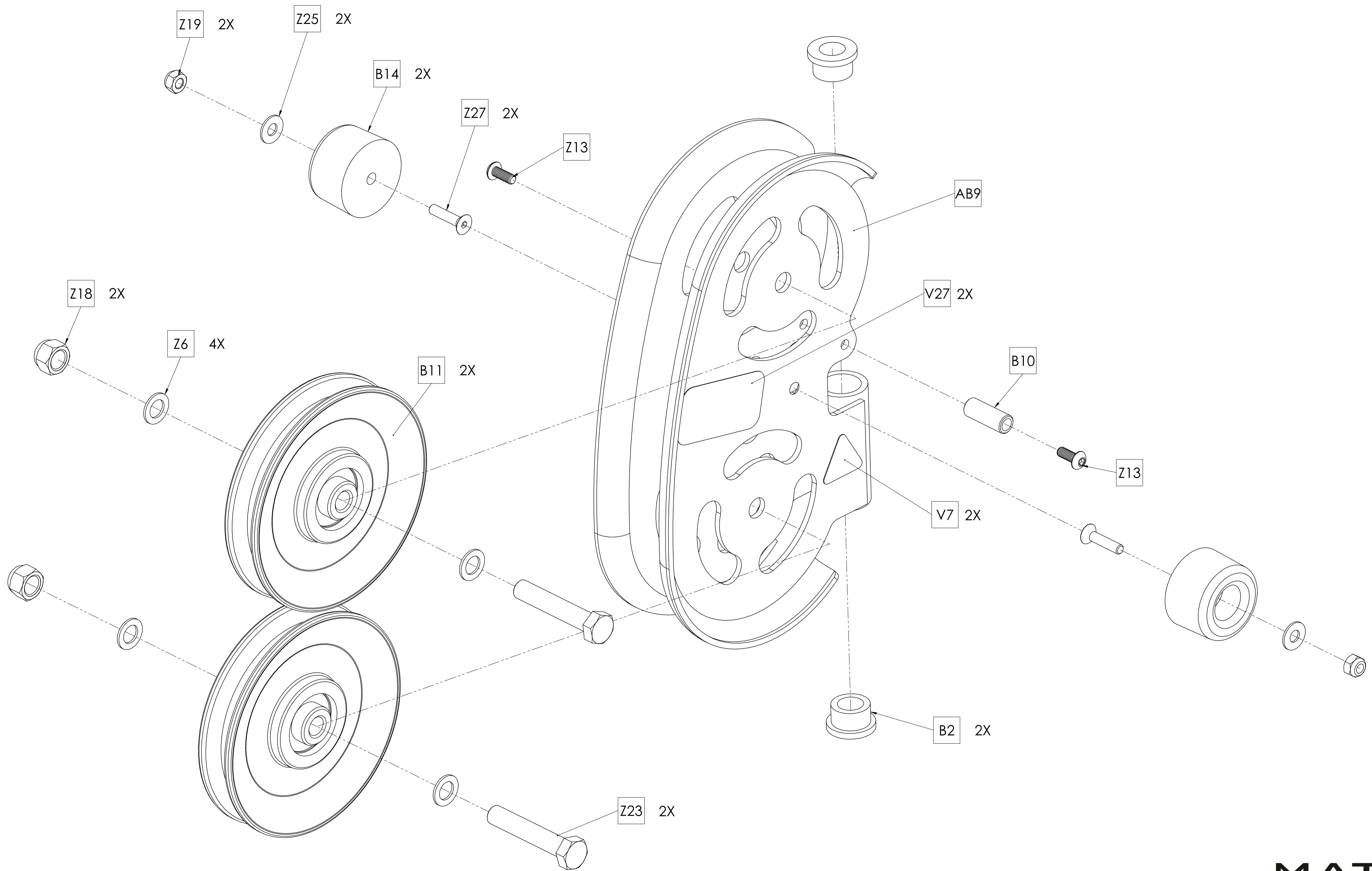
DWG NO.

160-881 SERVICE

DESCRIPTION:
DOUBLE PULLEY;BOOK;FORMED
(Strength)

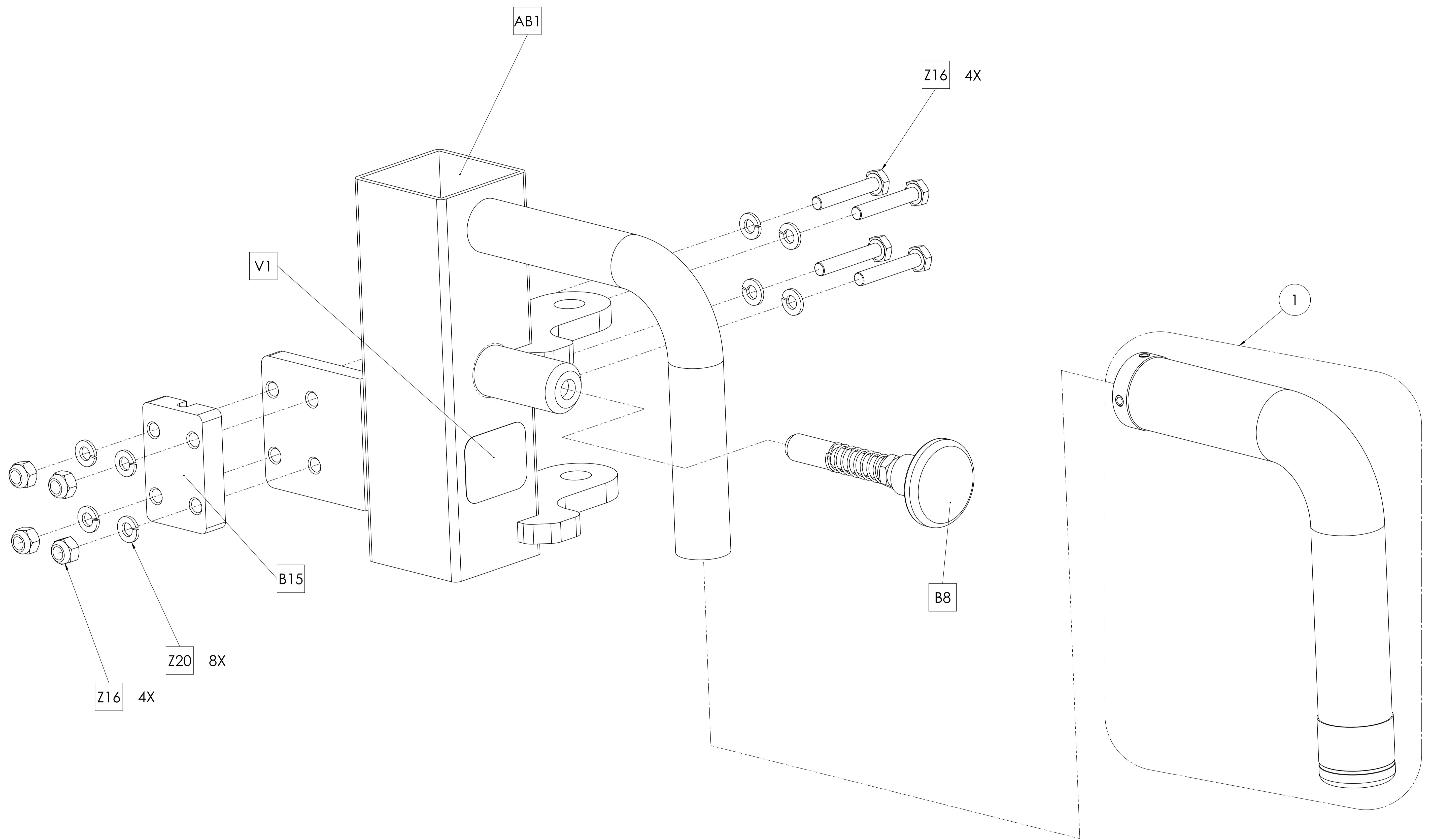
DRAWN BY: LMB DATE: 2016.MAR.25

UPDATED BY: -- DATE: --



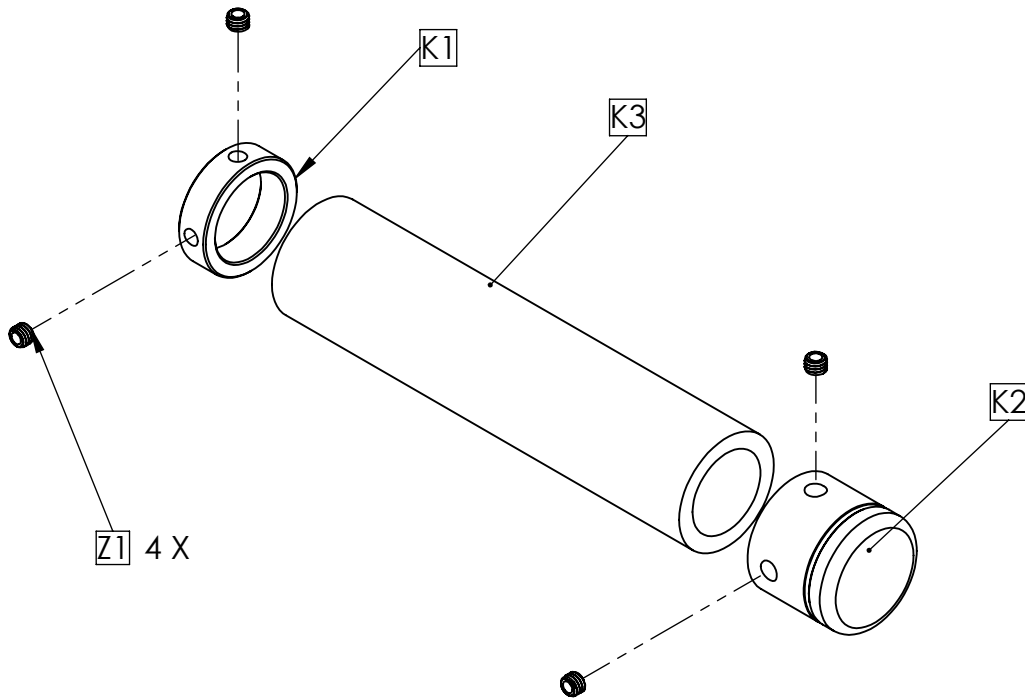
MATRIX

DWG NO.		
161-147 SERVICE		
DESCRIPTION: DOUBLE PULLEY;BOOK;FORMED (Strength)		
DRAWN BY:	LMB	DATE: 2016.MAR.25
UPDATED BY:	--	DATE: --



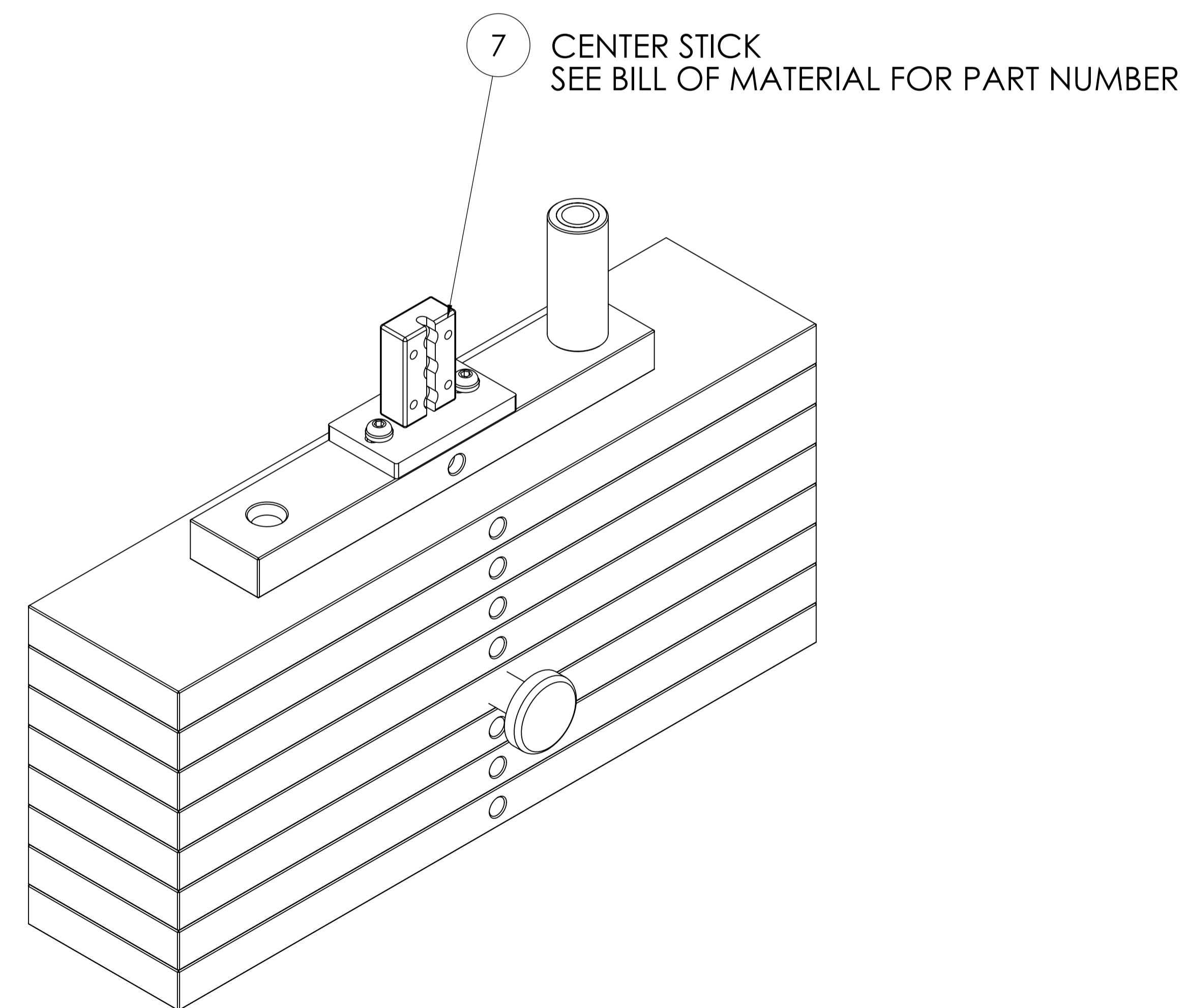
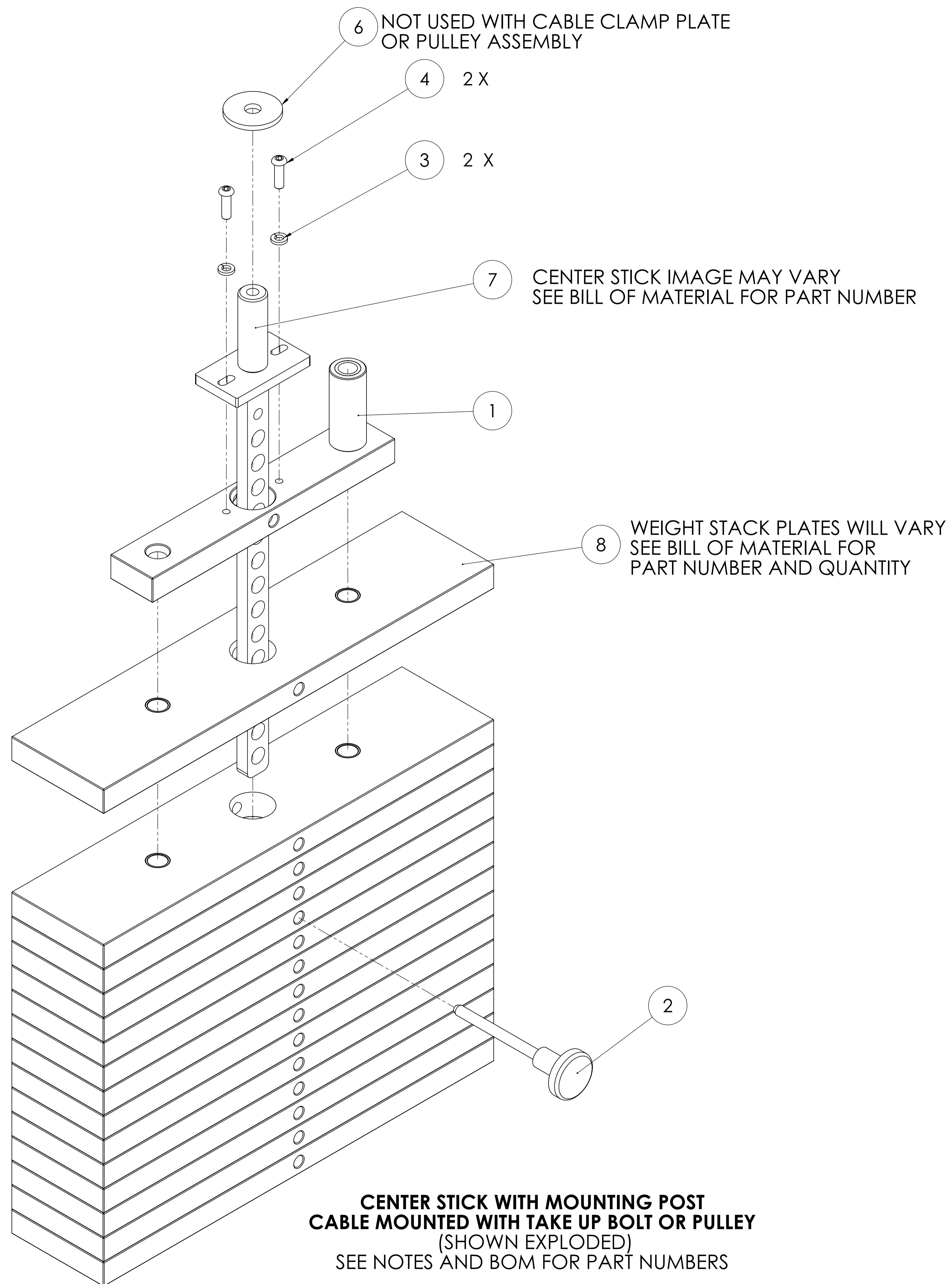
MATRIX

DWG NO.		
161-148 SERVICE		
DESCRIPTION: SLIDE ASSEMBLY; FORMED BOOK (Strength)		
DRAWN BY:	LMB	DATE: 2016.JUL.26
UPDATED BY:	LMB	DATE: 2017.AUG.17



MATRIX

DWG. NO.	KIT1 HAND GRIP		
DESCRIPTION:	HAND GRIP		
DRAWN:	LMB	DATE	13.03.26
UPDATED:	--	DATE	--



MATRIX

DWG NO.

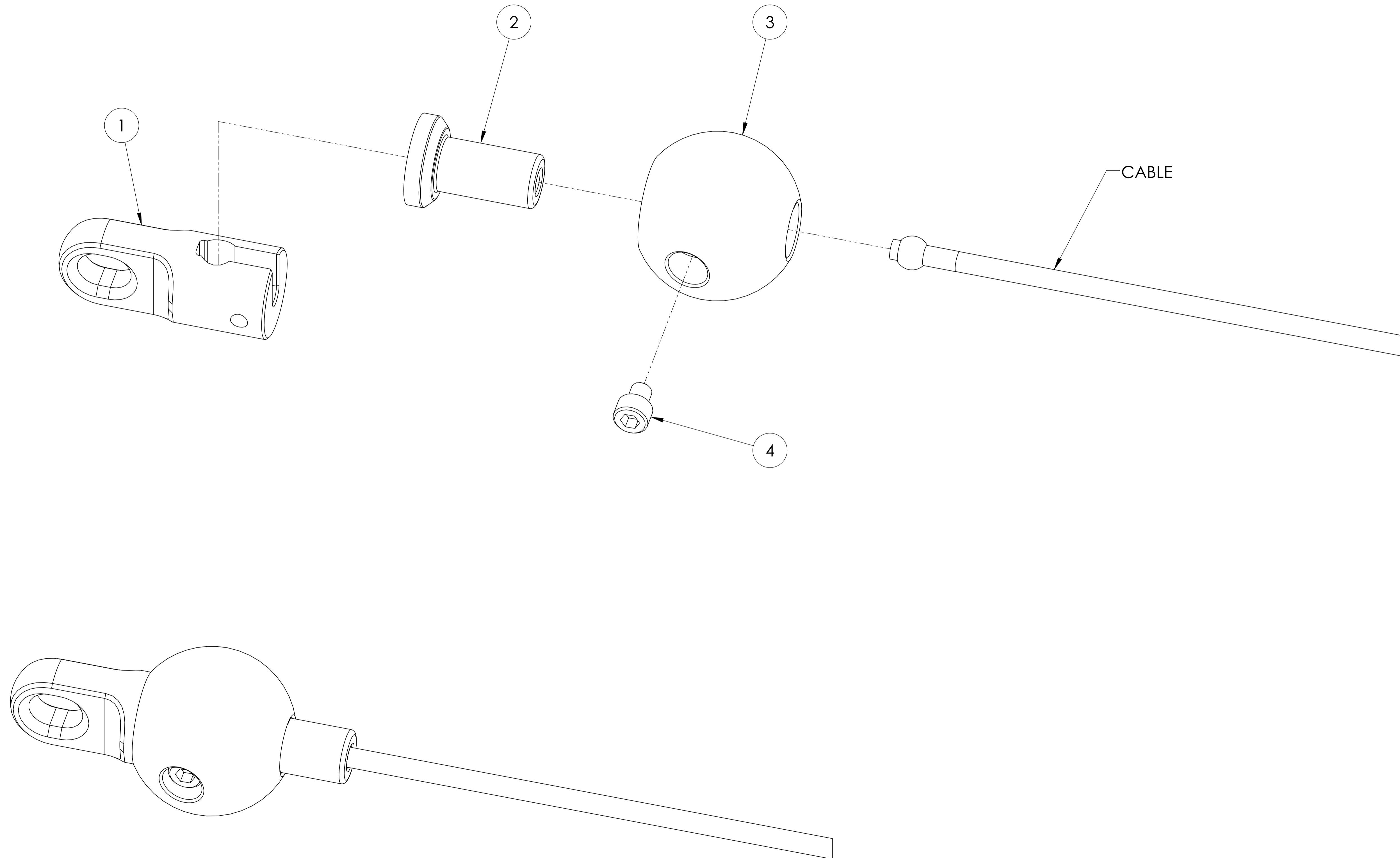
WEIGHT STACK SERVICE

DESCRIPTION:
WEIGHT STACK/CENTER STICK ASSEMBLY

(Take Up Bolt, Pulley & Clamp Style)

DRAWN BY: LMB DATE: 2013.OCT.10

UPDATED BY: LMB DATE: 2015.FEB.04



MATRIX

DWG NO.	161-442 SERVICE		
DESCRIPTION:	CABLE END STOPPER		
DRAWN BY:	LG	DATE:	2019.SEP.18
UPDATED BY:		DATE:	