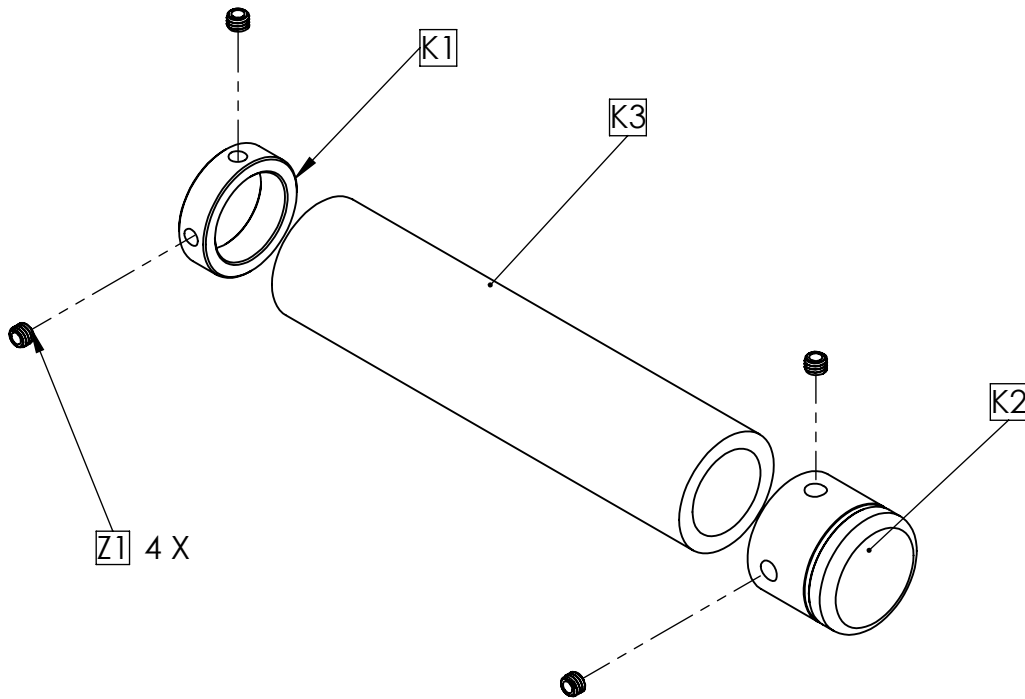
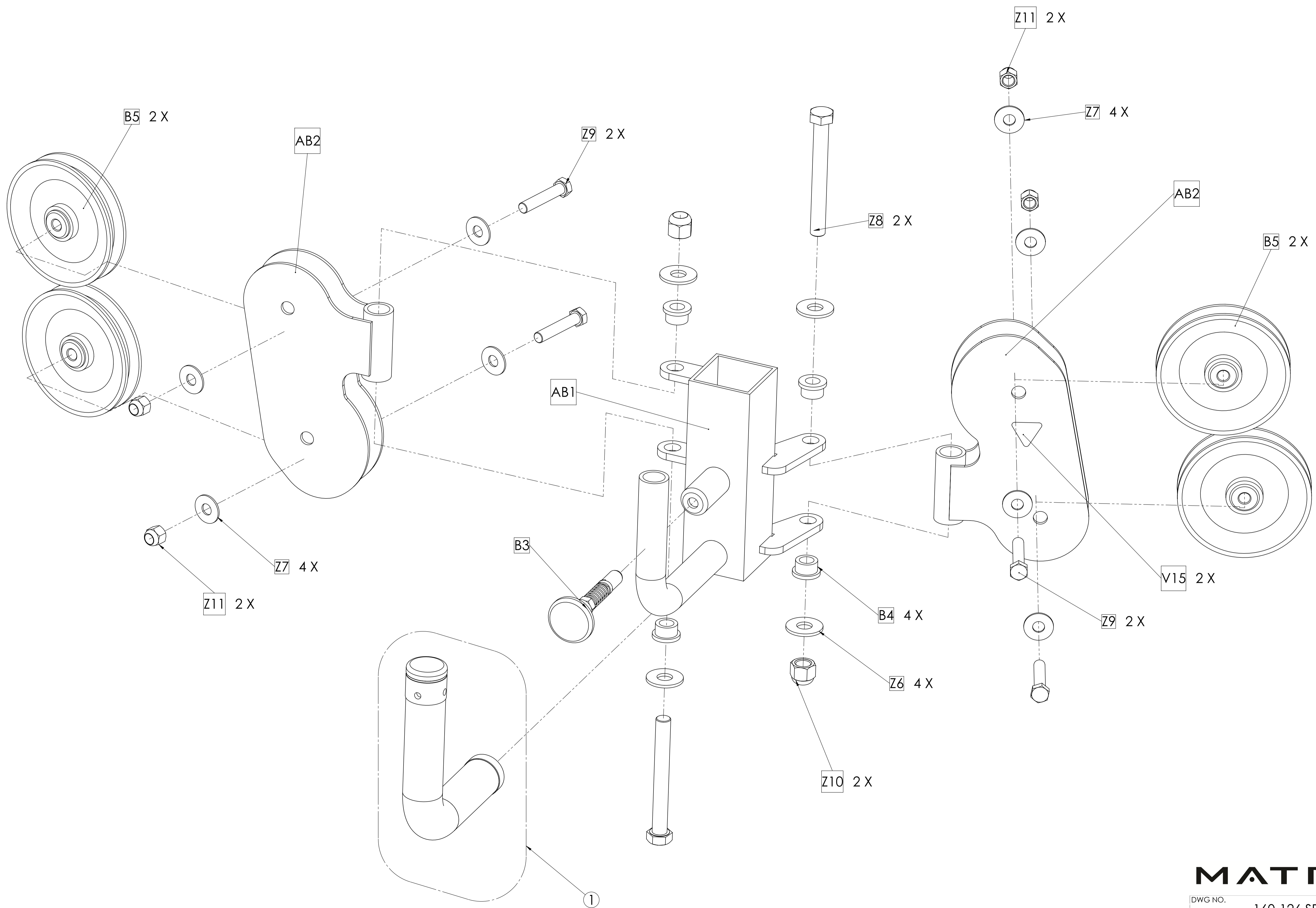


MATRIX	
DWG NO. DP923-04 SERVICE	
DESCRIPTION: Adjustable Pulley (Strength- Multi Station)	
DRAWN BY: LMB	DATE: 2016.APR.08
UPDATED BY: LMB	DATE: 2016.APR.18



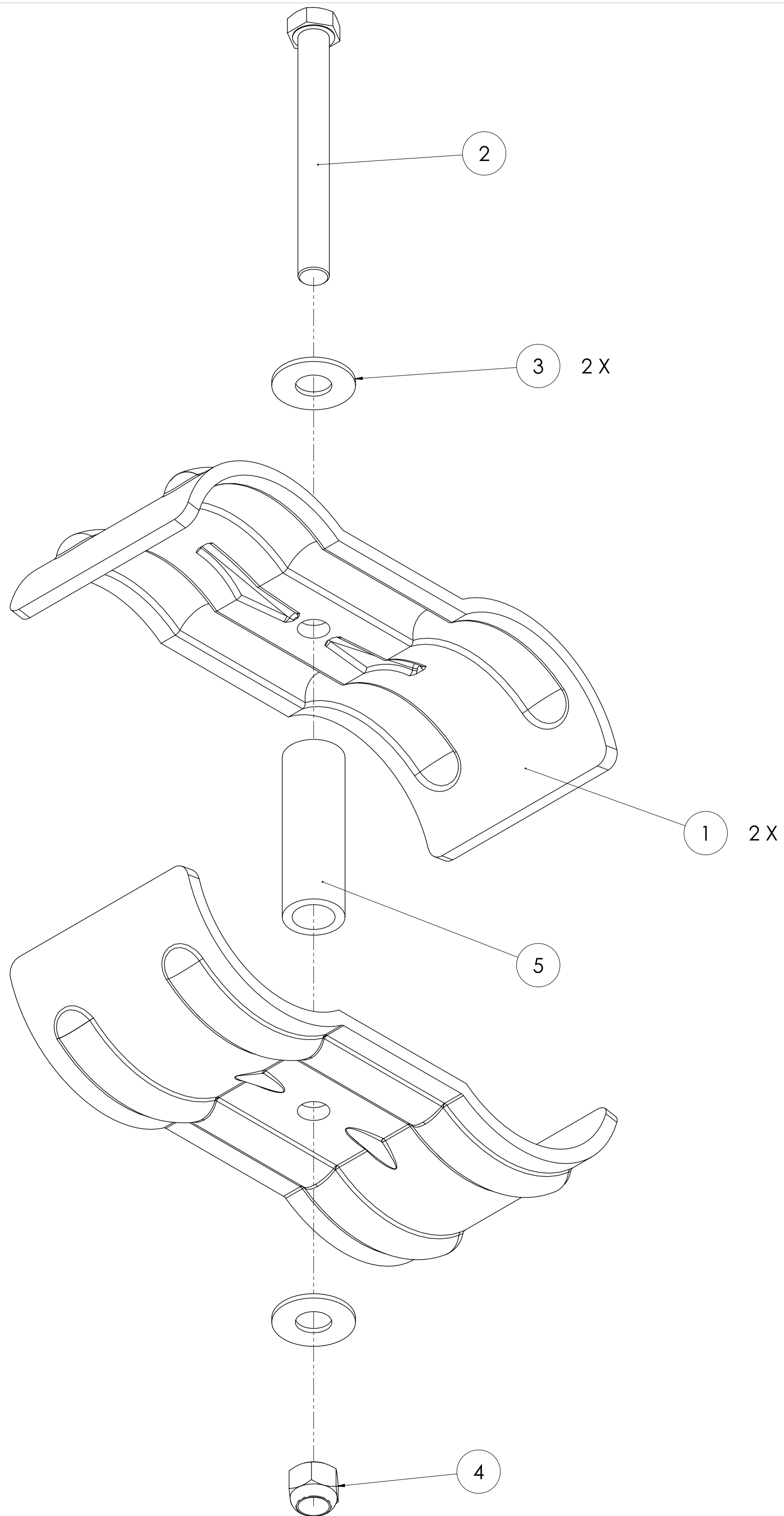
MATRIX

DWG. NO.	KIT1 HAND GRIP		
DESCRIPTION:	HAND GRIP		
DRAWN:	LMB	DATE	13.03.26
UPDATED:	--	DATE	--



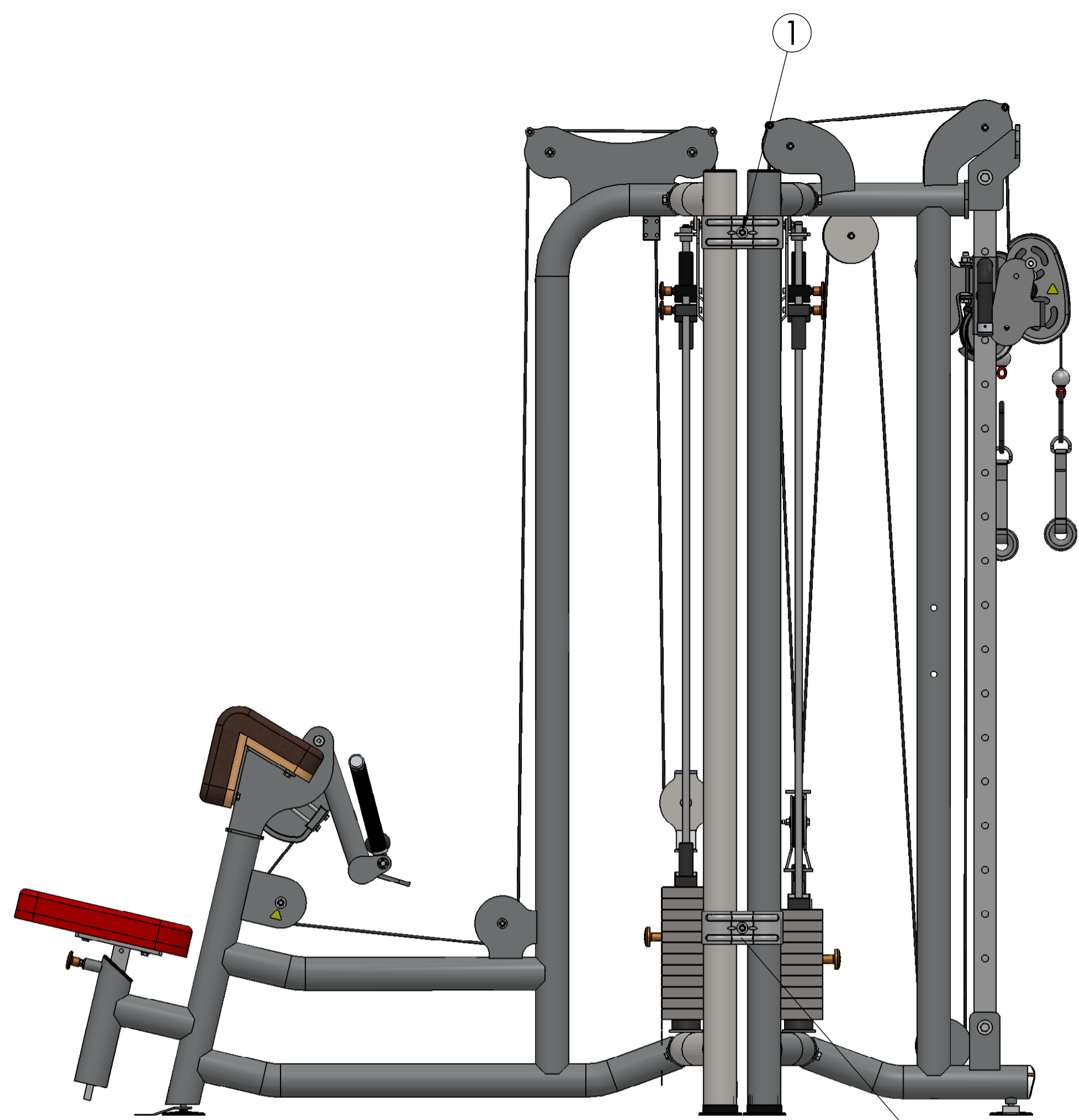
MATRIX

DWG NO.	160-126 SERVICE		
DESCRIPTION:	ADJ. QUAD PULLEY W/GRIP		
DRAWN BY:	LMB	DATE	13.08.28
UPDATED BY:	LMB	DATE	2014.OCT.14



MATRIX

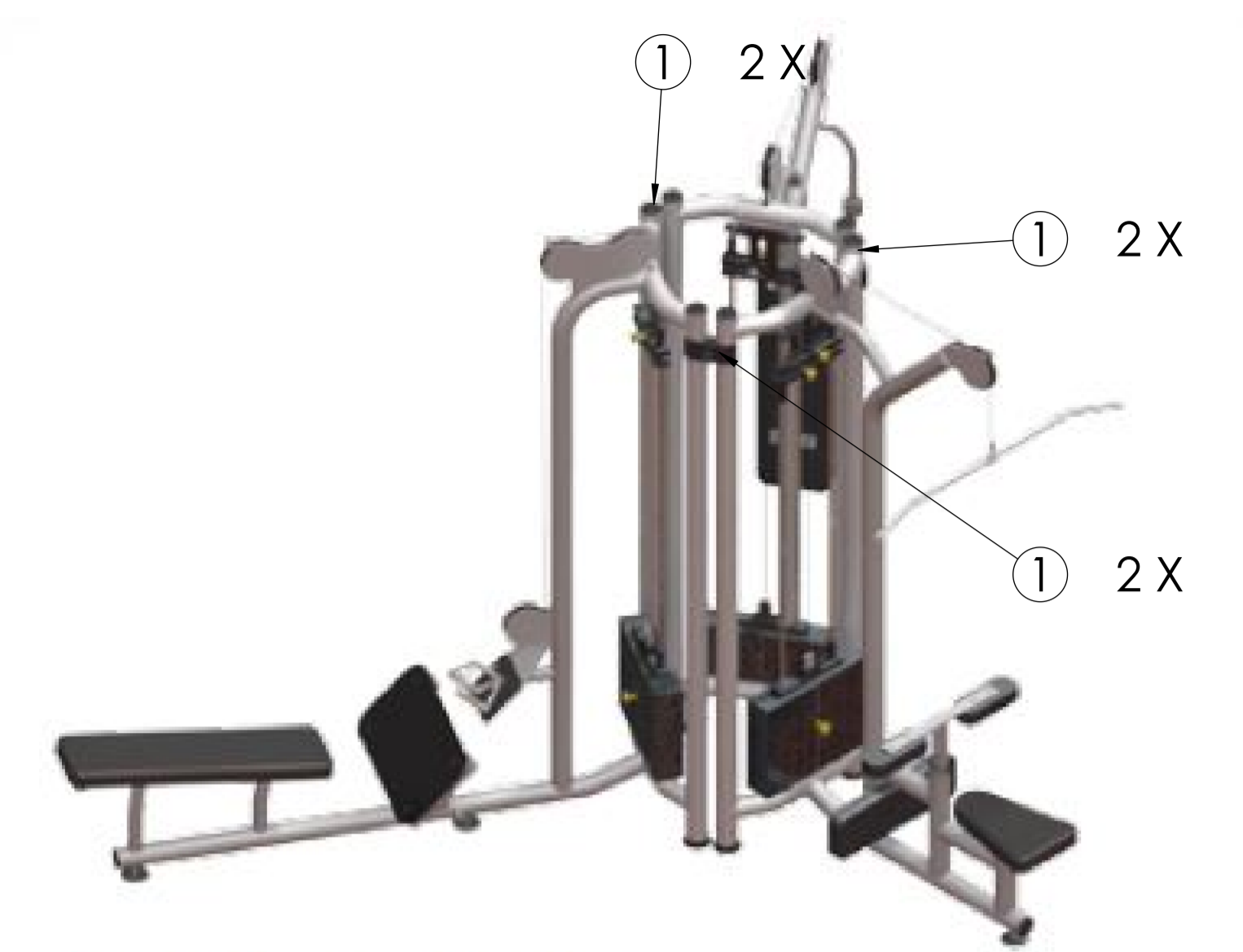
DWG NO.	160-257 SERVICE	
DESCRIPTION:	900 SERIES TOWER CLAMP (SINGLE) (Strength - Multi Station)	
DRAWN BY:	LMB	DATE: 2016.JAN.14
UPDATED BY:		DATE:



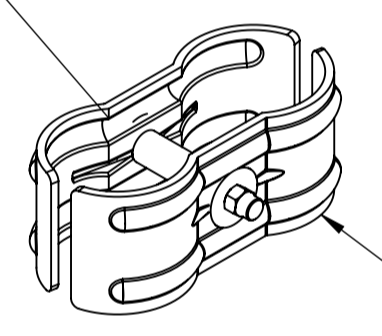
TWO STACK



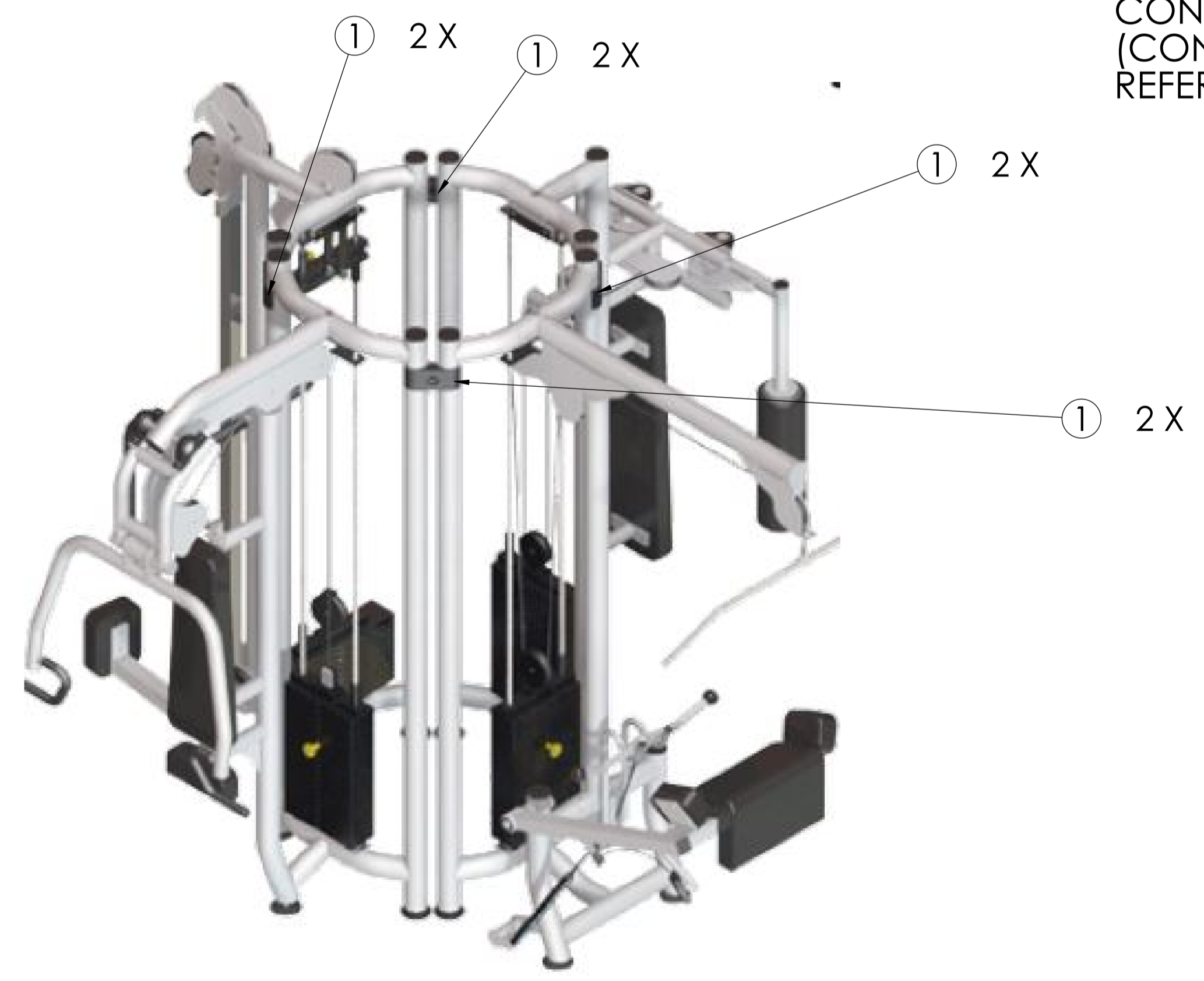
TWO STACK



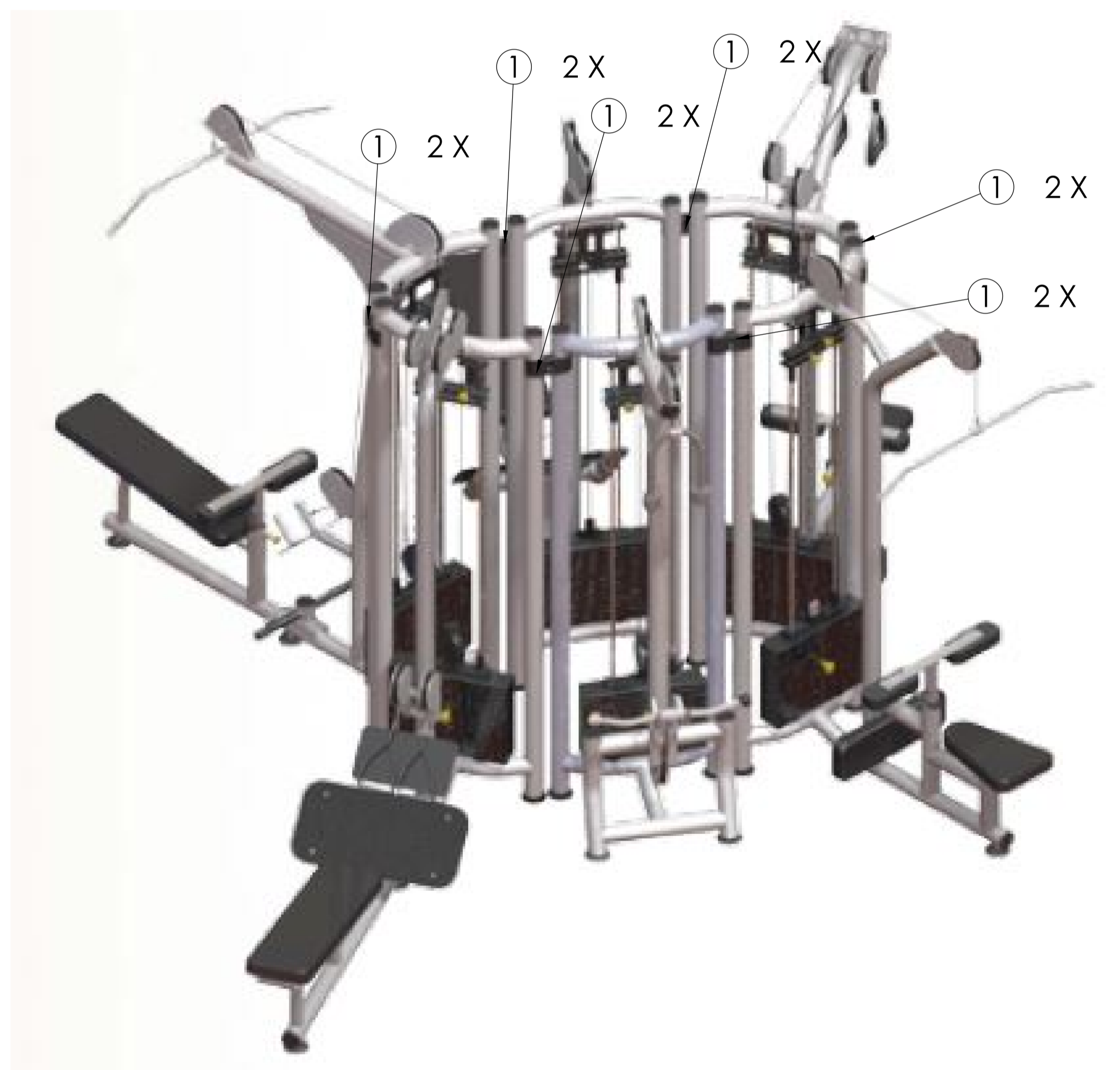
THREE STACK



EXPLODED VIEW SHOWN ON SHEET 1
 NOTE: QUANTITY REQUIRED FOR EACH CONFIGURATION WILL VARY
 (CONFIGURATIONS SHOWN ARE FOR REFERENCE ONLY)



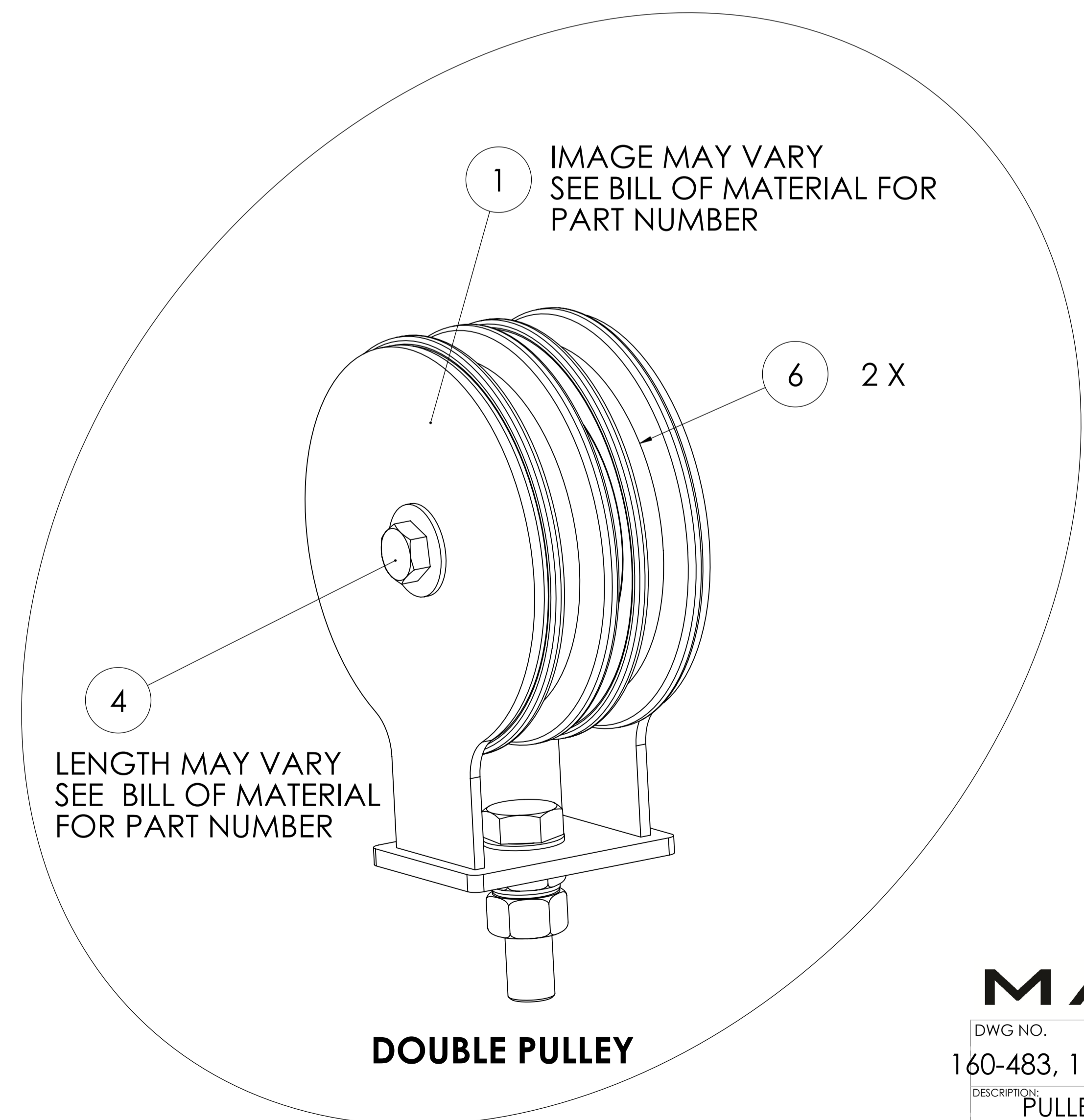
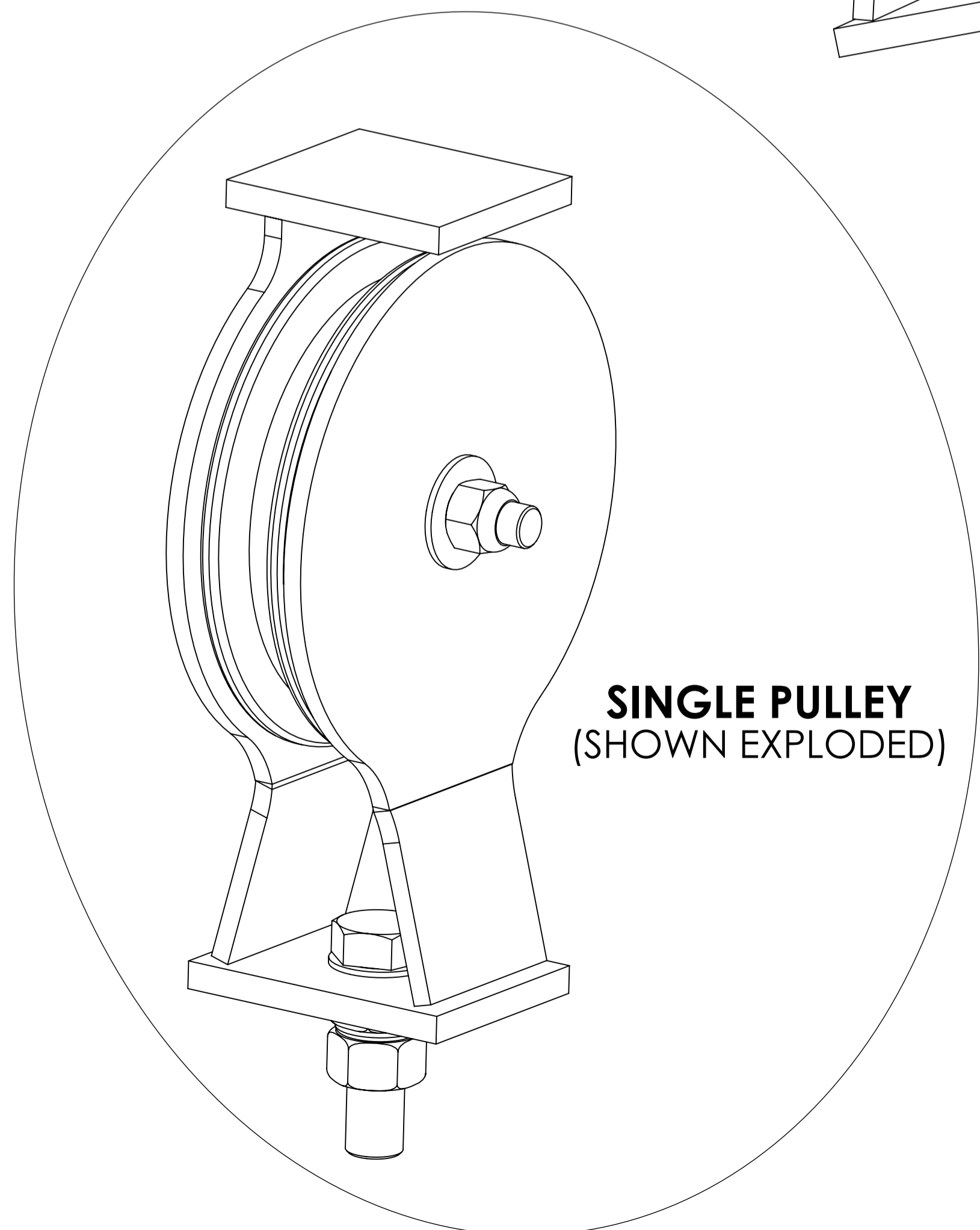
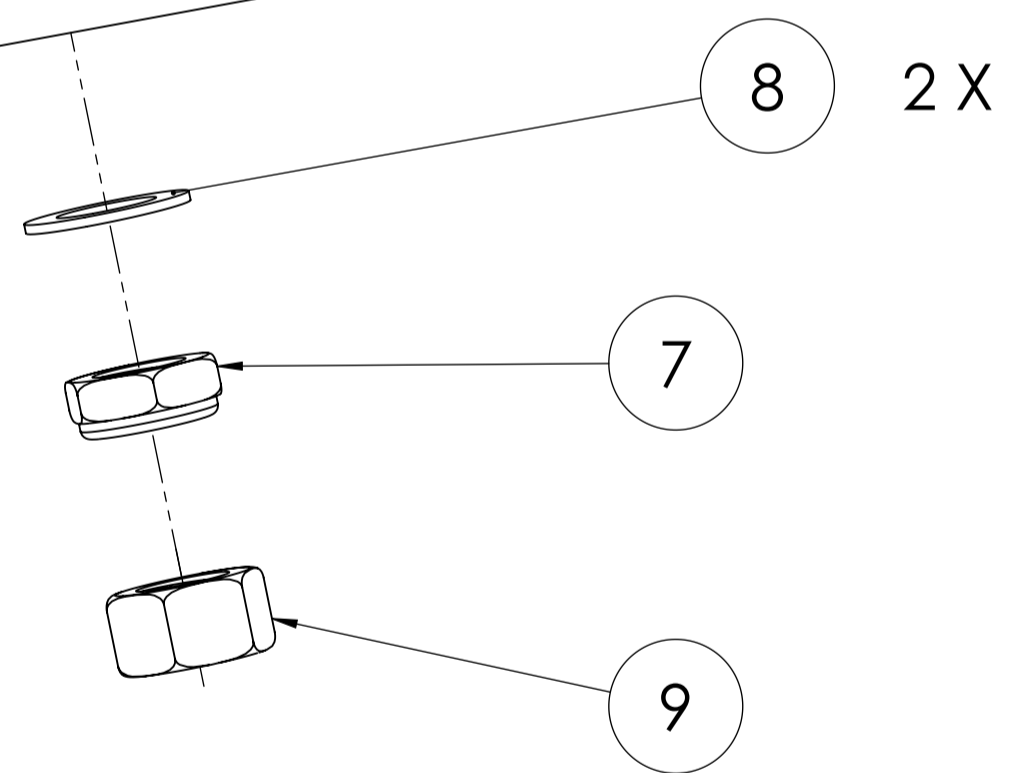
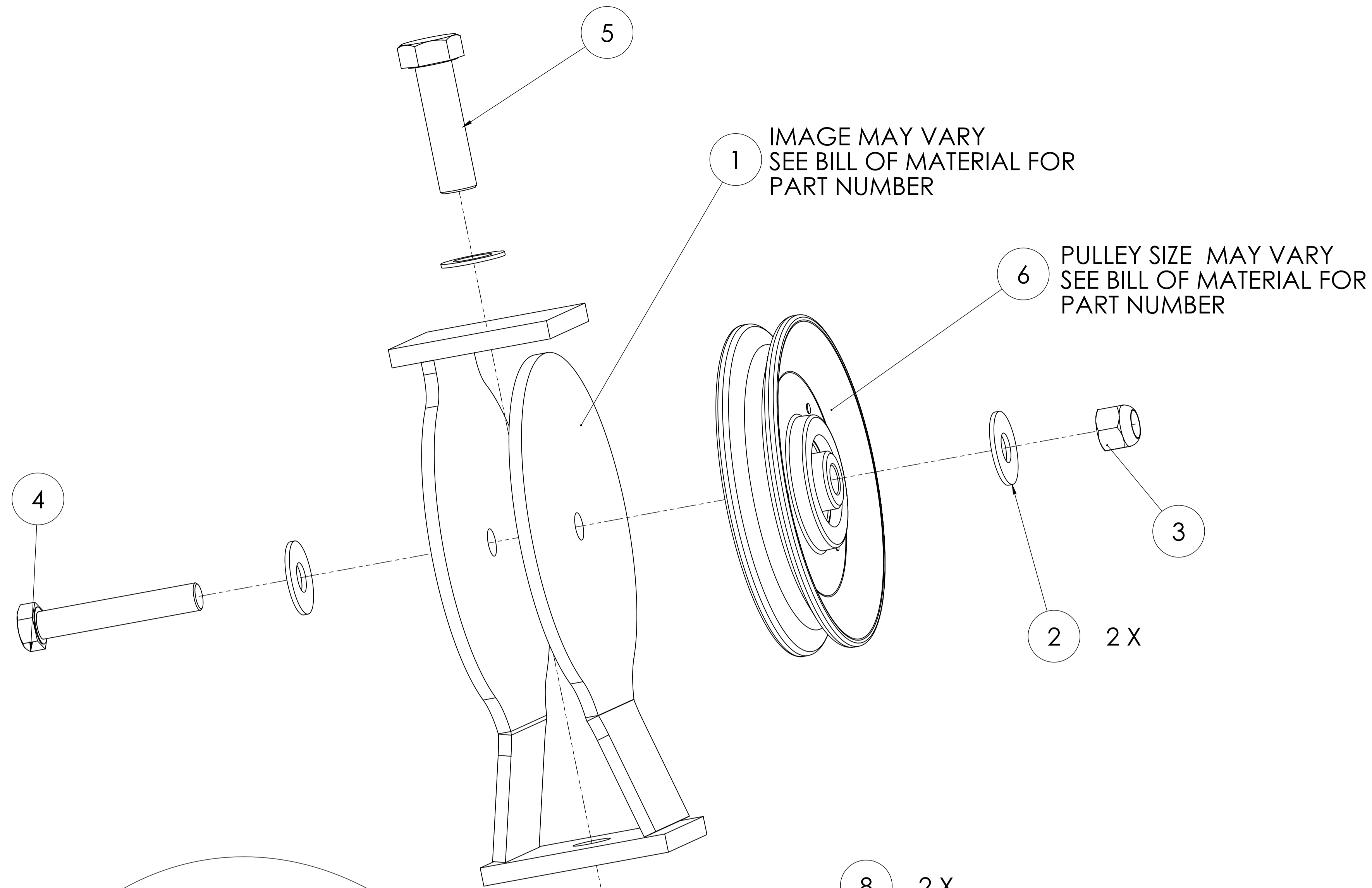
FOUR STACK



SIX STACK

MATRIX

DWG NO.	160-257 SERVICE	
DESCRIPTION:	COUPLER(CONFIGURATIONS) (Strength - Multi Station)	
DRAWN BY:	LMB	DATE: 2016.JAN.14
UPDATED BY:		DATE:



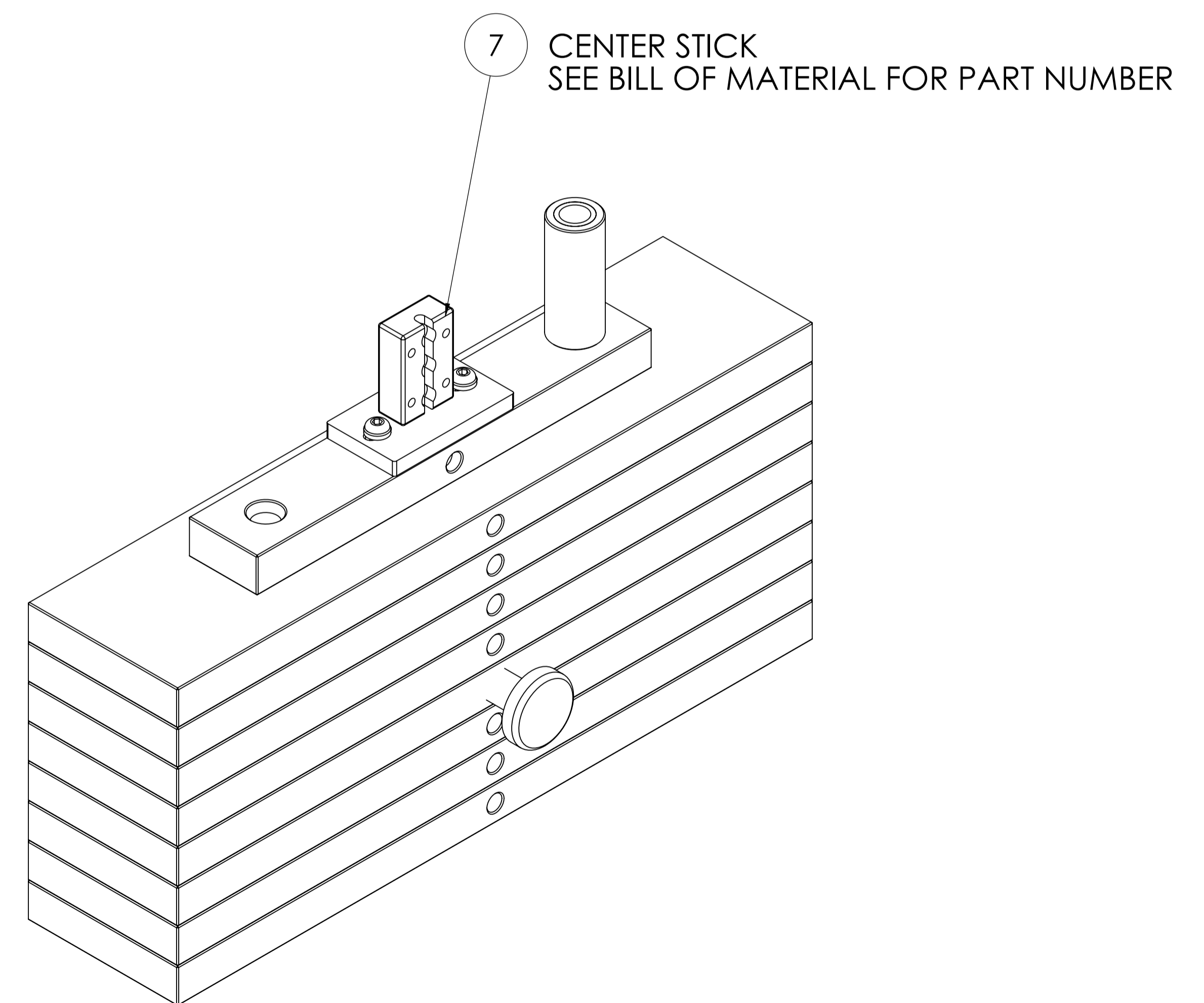
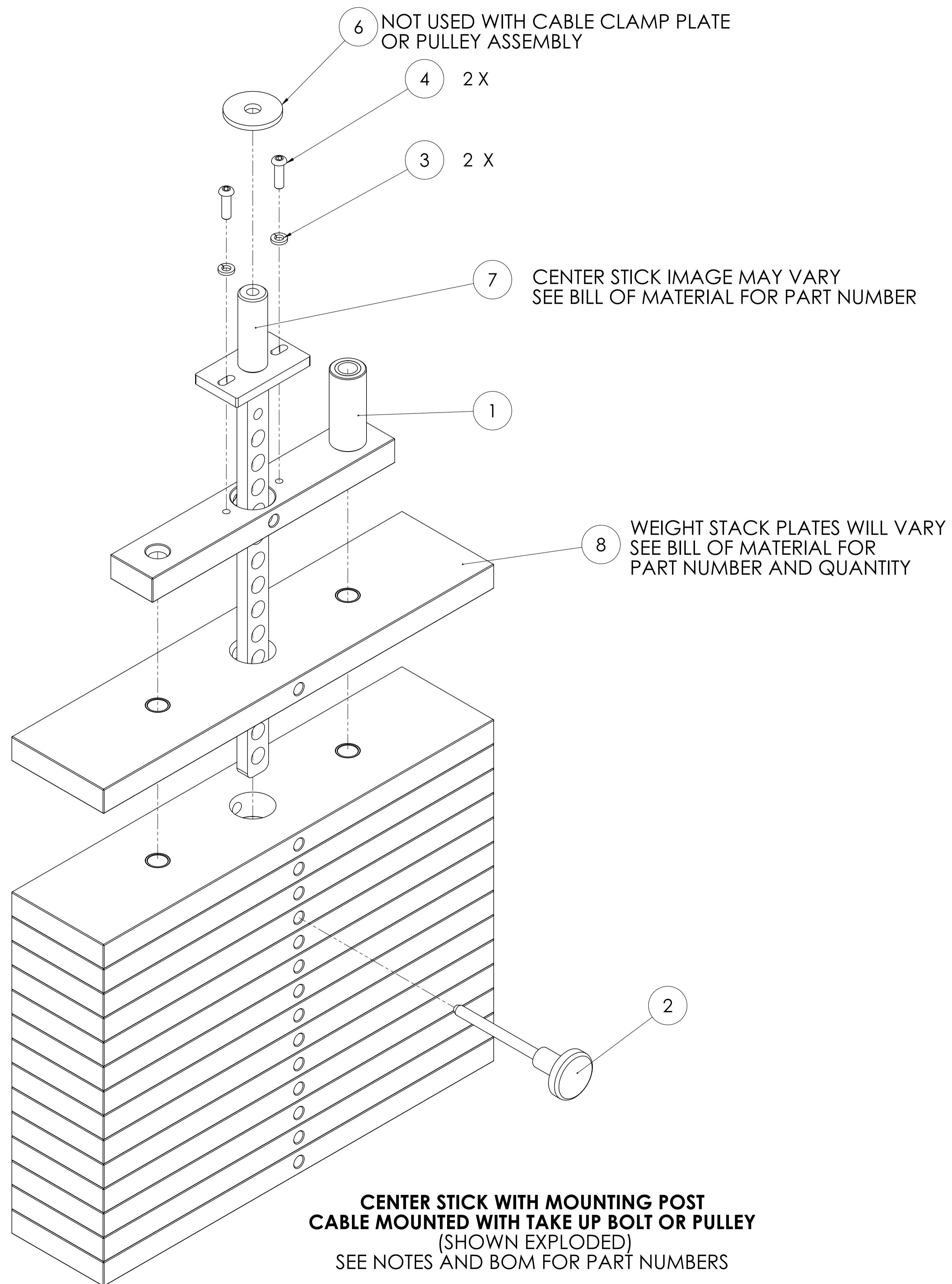
MATRIX

DWG NO.
160-483, 160-484 & 160-492 SERVICE

DESCRIPTION:
PULLEY;WEIGHT STACK ASSY
(Single & Double Pulley- Strength)

DRAWN BY: LMB DATE: 2015.FEB.04

UPDATED BY: LMB DATE: 2015.FEB.12



MATRIX

DWG NO.

WEIGHT STACK SERVICE

DESCRIPTION:
WEIGHT STACK/CENTER STICK ASSEMBLY

(Take Up Bolt, Pulley & Clamp Style)

DRAWN BY: LMB DATE: 2013.OCT.10

UPDATED BY: LMB DATE: 2015.FEB.04