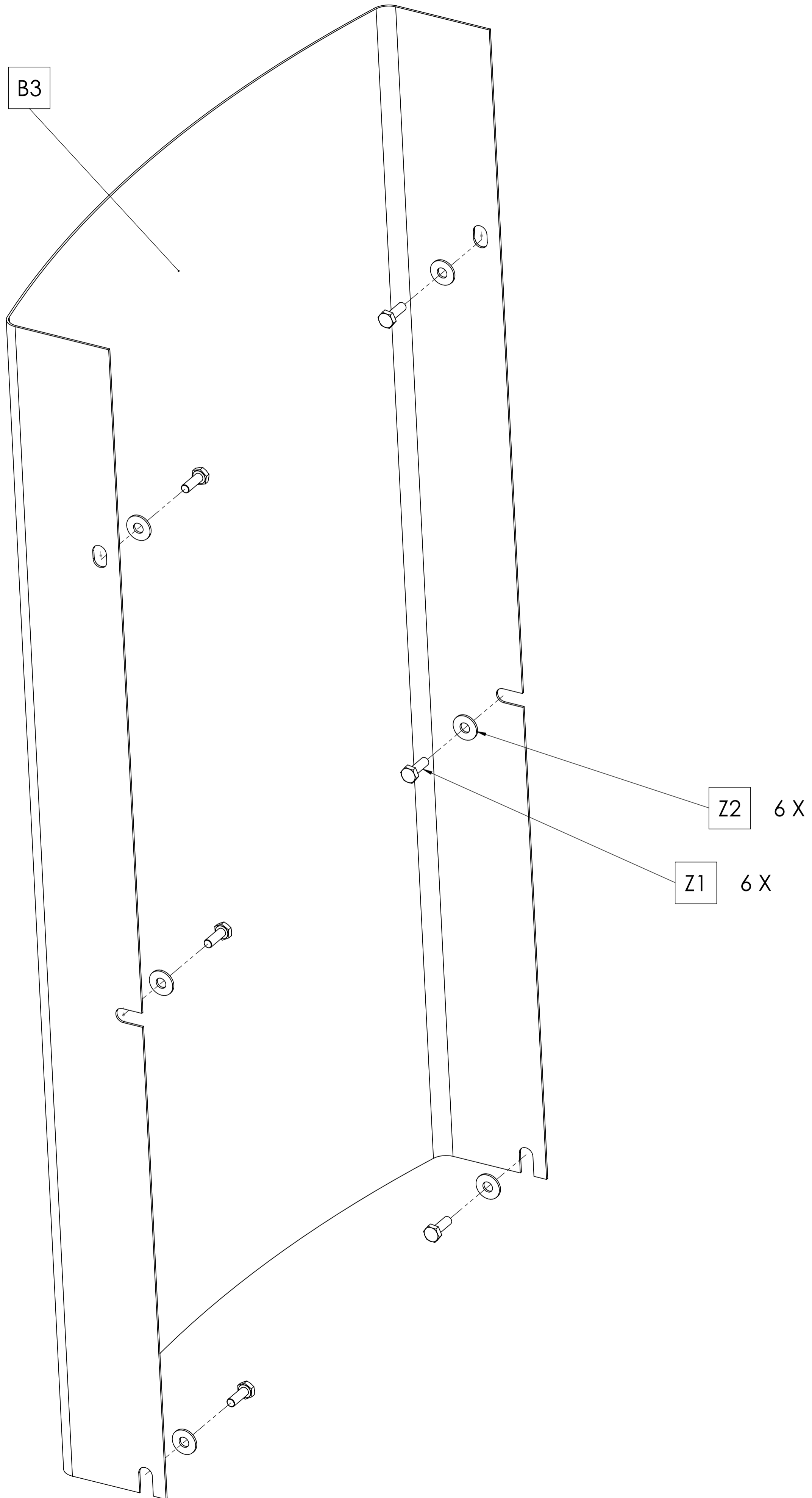


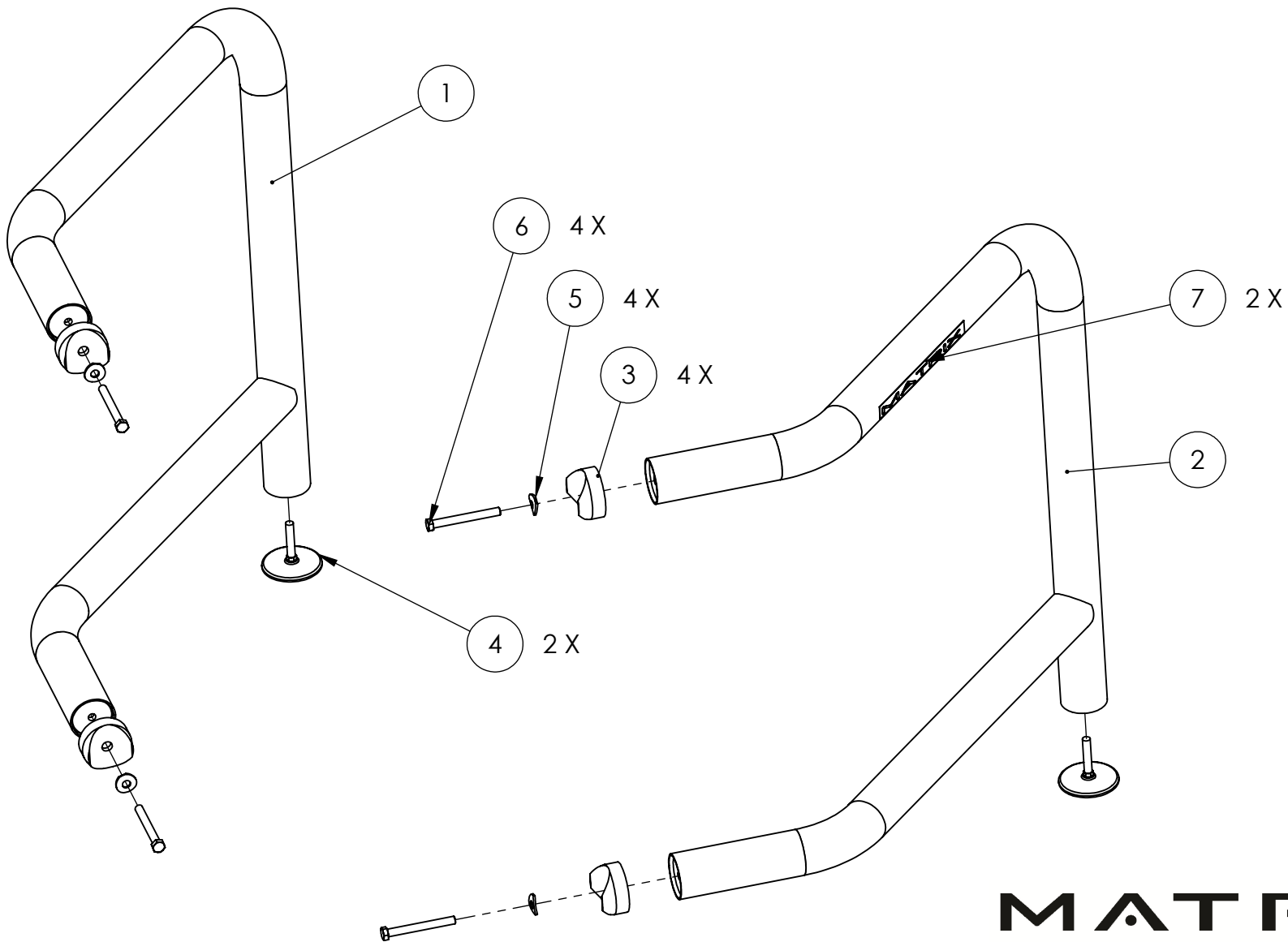
MATRIX

DWG. NO.	KIT1 HAND GRIP	
DESCRIPTION:	HAND GRIP	
DRAWN:	LMB	DATE 13.03.26
UPDATED:	--	DATE --



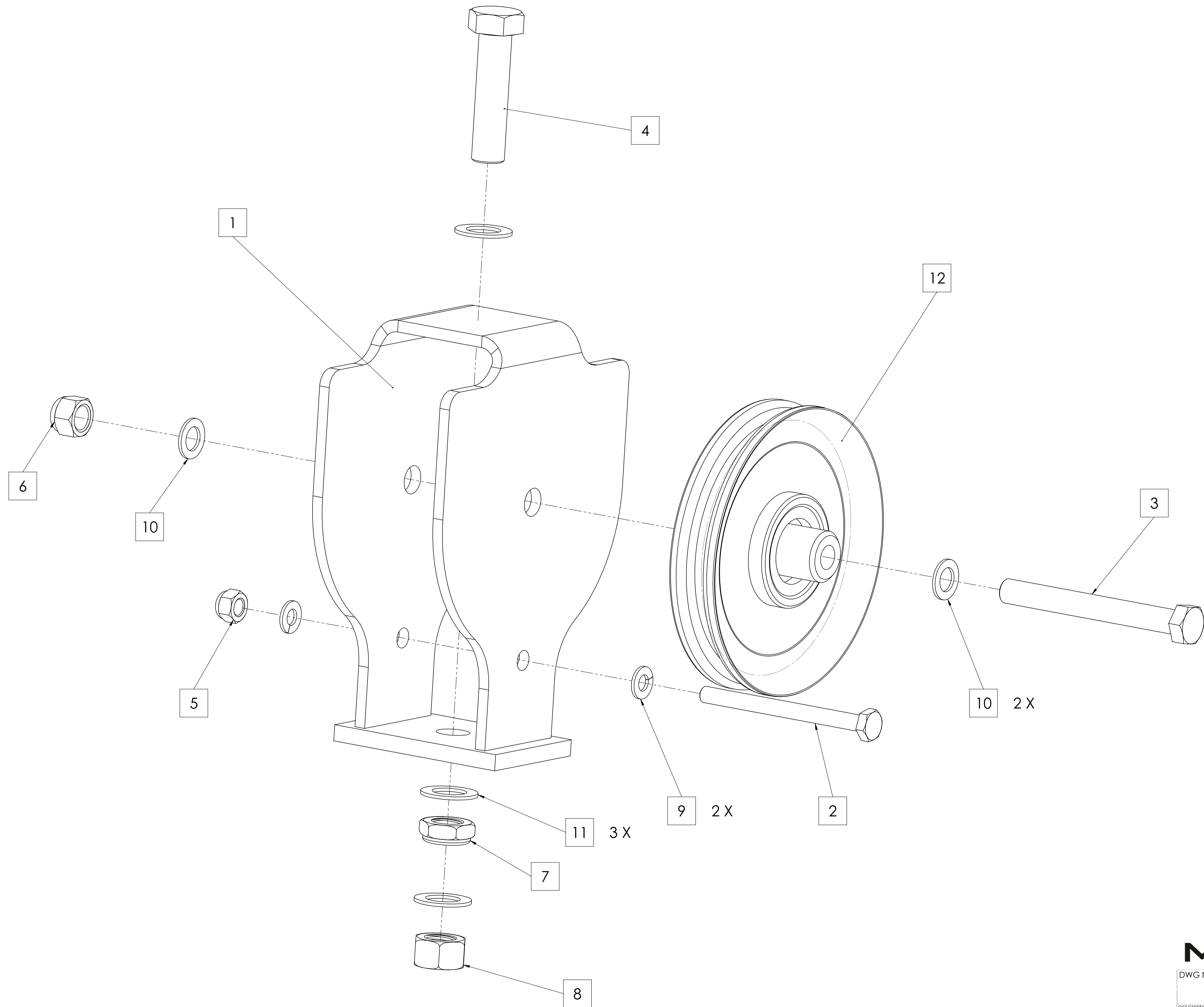
MATRIX

DWG NO.		
161-060 SERVICE		
DESCRIPTION:		
900 SERIES FS REAR COVER (Strength)		
DRAWN BY:	LMB	DATE: 2016.MAR.29
UPDATED BY:	--	DATE: --



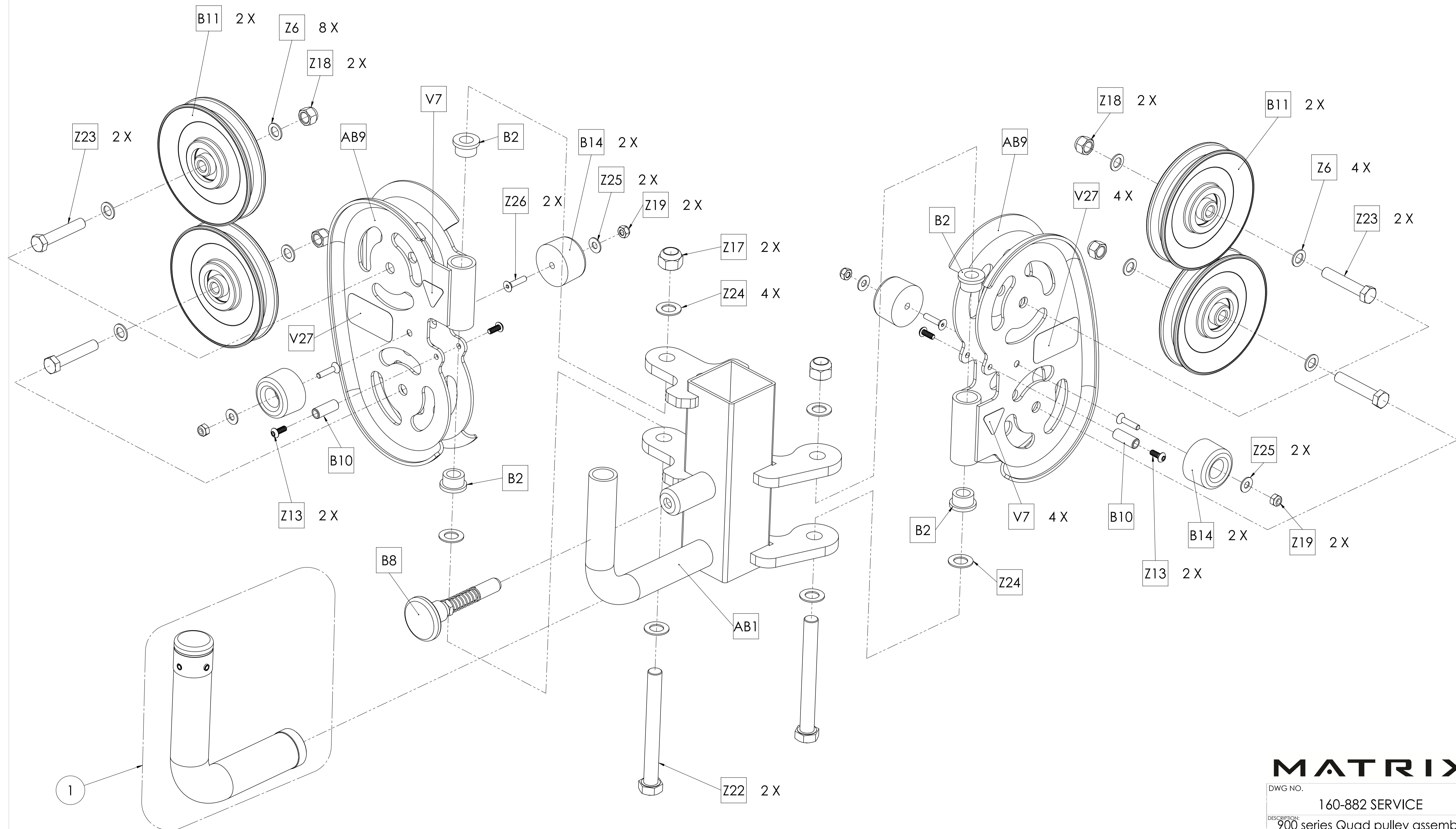
MATRIX

DWG. NO.	160-122 SERVICE	
DESCRIPTION:	900 TOWER SERIES FREE STANDING (SIDES)	
DRAWN:	LMB	DATE 13.08.06
UPDATED:	--	DATE --



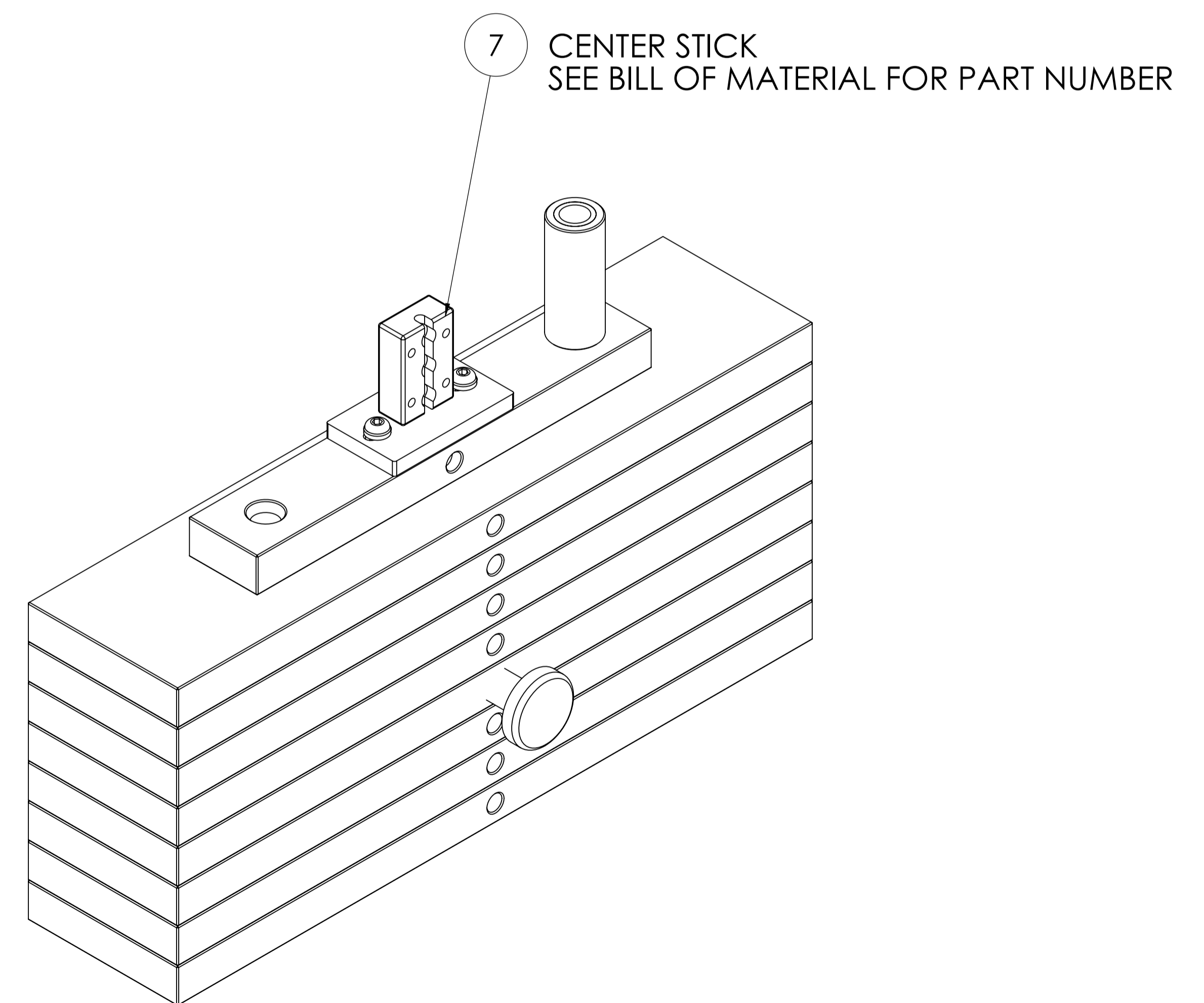
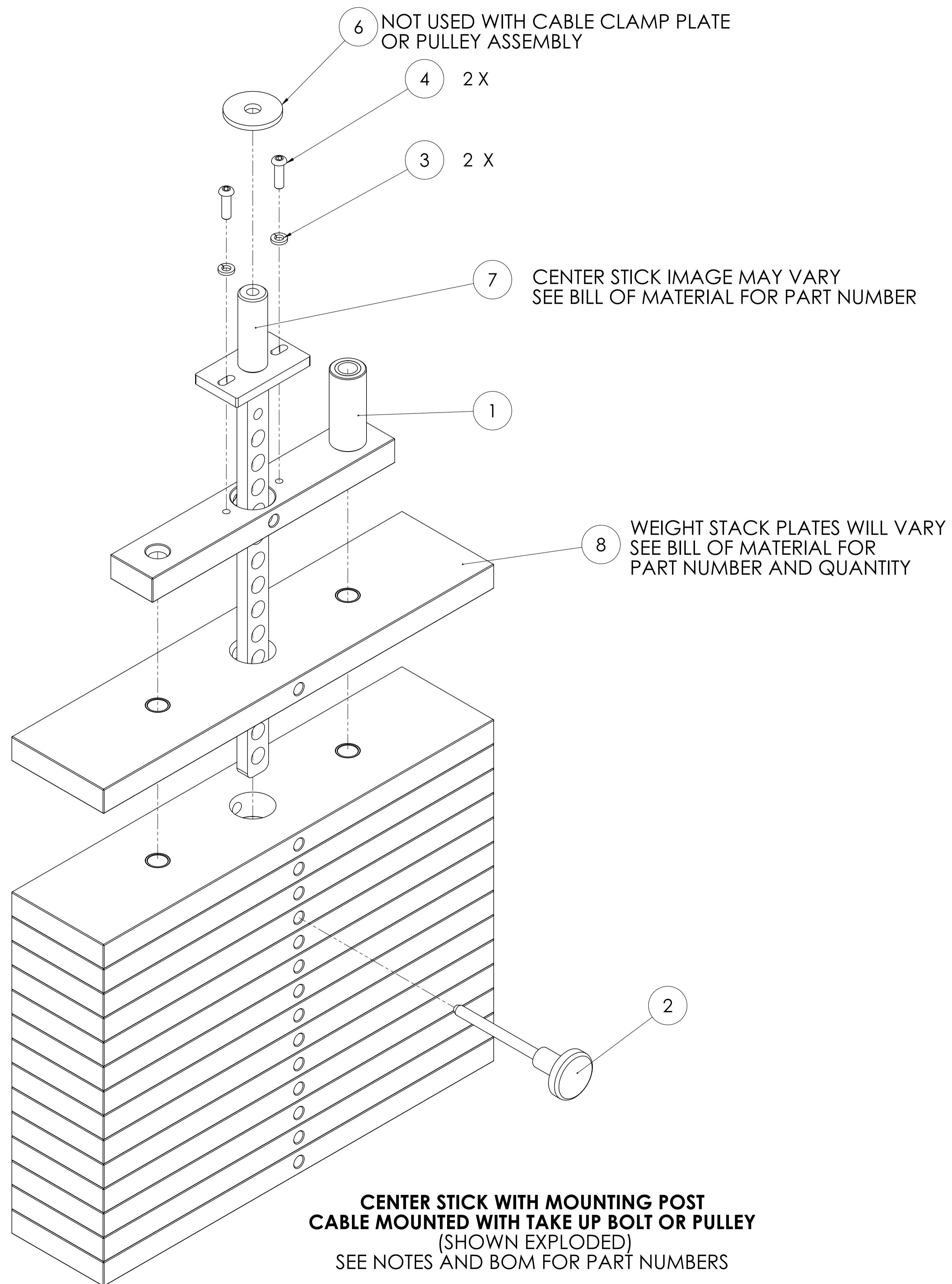
MATRIX

DWG NO.		160-865 SERVICE	
DESCRIPTION: PULLEY;WEIGHT STACK ASSY (Strength)			
DRAWN BY:	LMB	DATE:	2016.MAR.25
UPDATED BY:	--	DATE:	--



MATRIX

DWG NO.		160-882 SERVICE	
DESCRIPTION: 900 series Quad pulley assembly (Strength)			
DRAWN BY:	LMB	DATE:	2016.MAR.28
UPDATED BY:	--	DATE:	--



MATRIX

DWG NO.

WEIGHT STACK SERVICE

DESCRIPTION:
WEIGHT STACK/CENTER STICK ASSEMBLY

(Take Up Bolt, Pulley & Clamp Style)

DRAWN BY: LMB

DATE: 2013.OCT.10

UPDATED BY: LMB

DATE: 2015.FEB.04