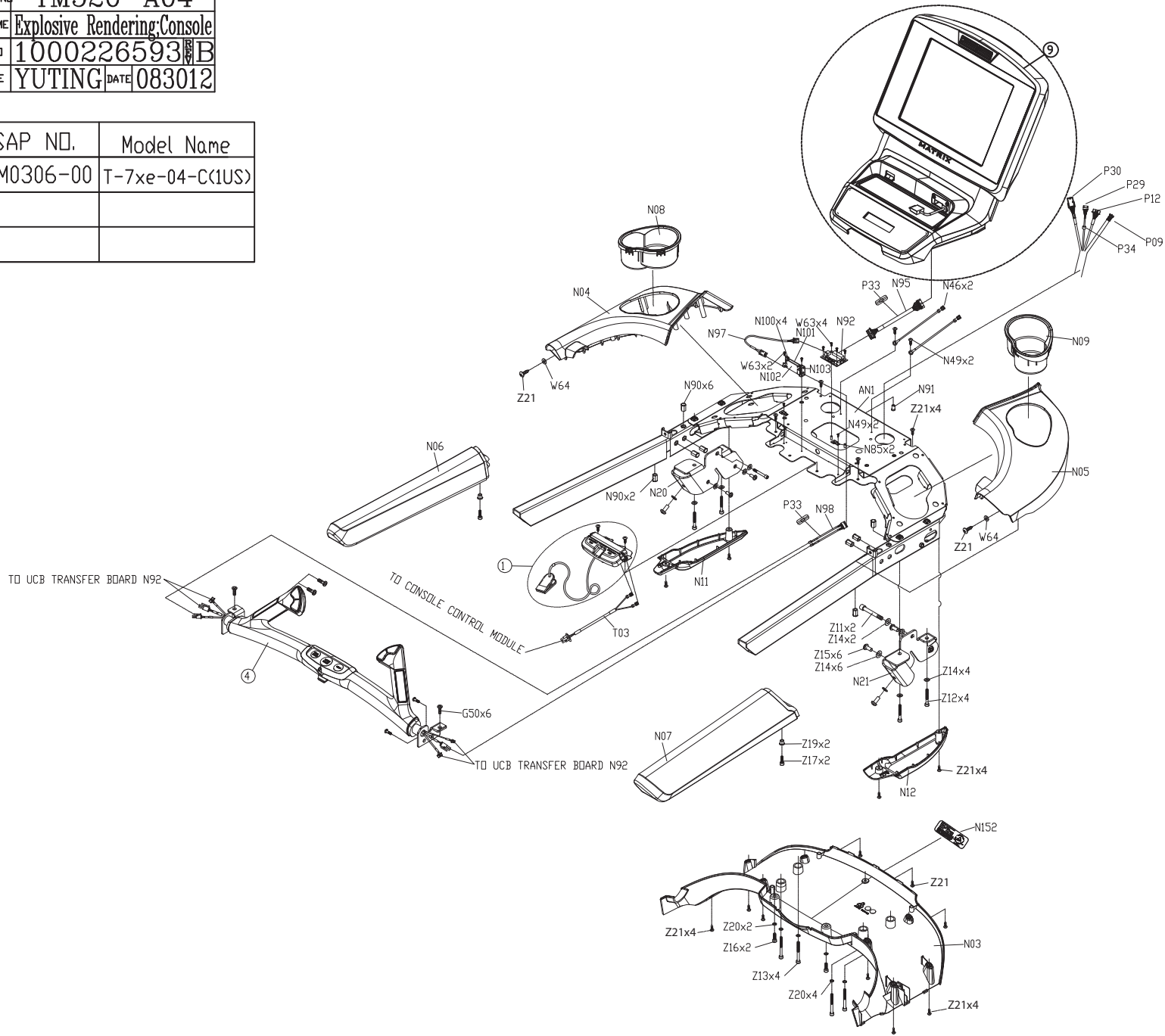
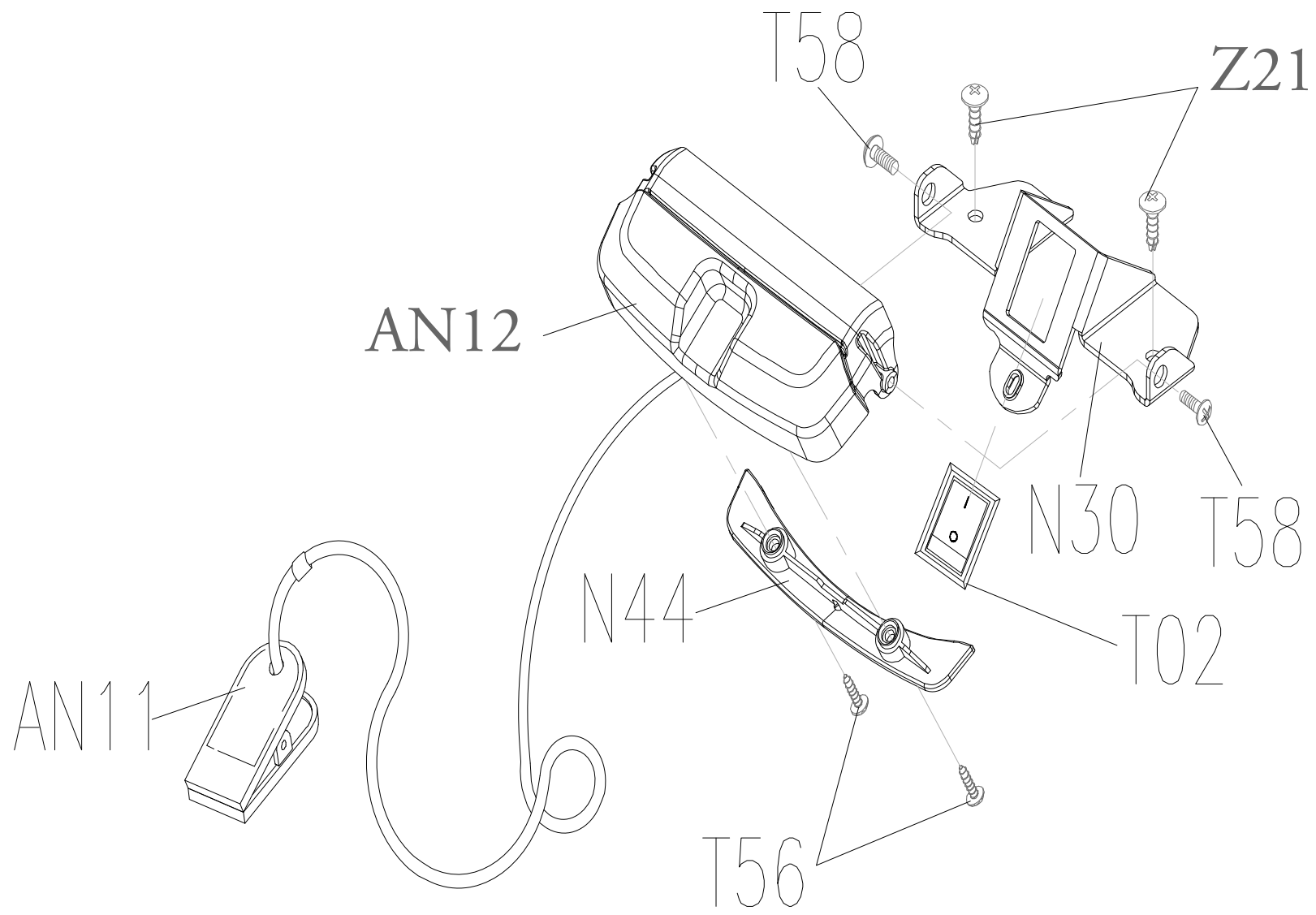


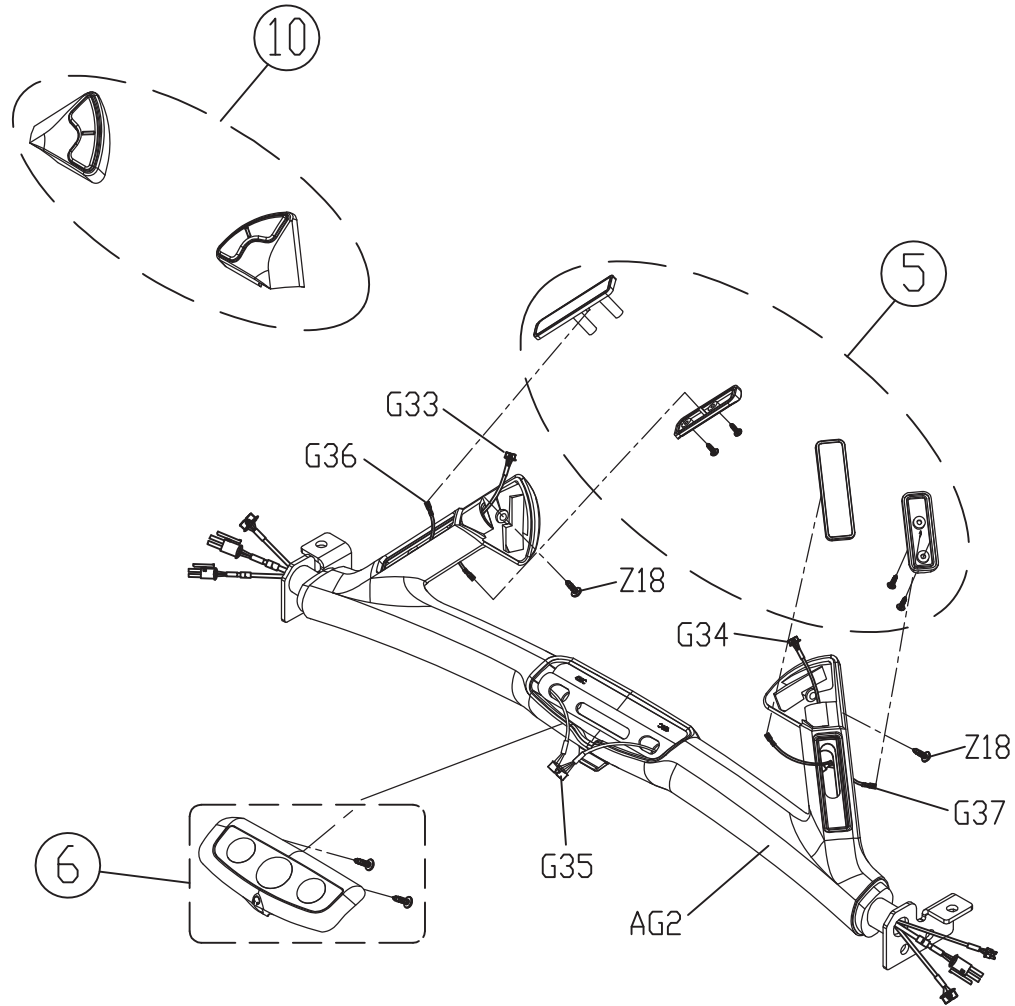
DRAWING NO	TM520-A04
PART NAME	Explosive Rendering Console
PART NO	1000226593 B
APPROVE	YUTING DATE 083012

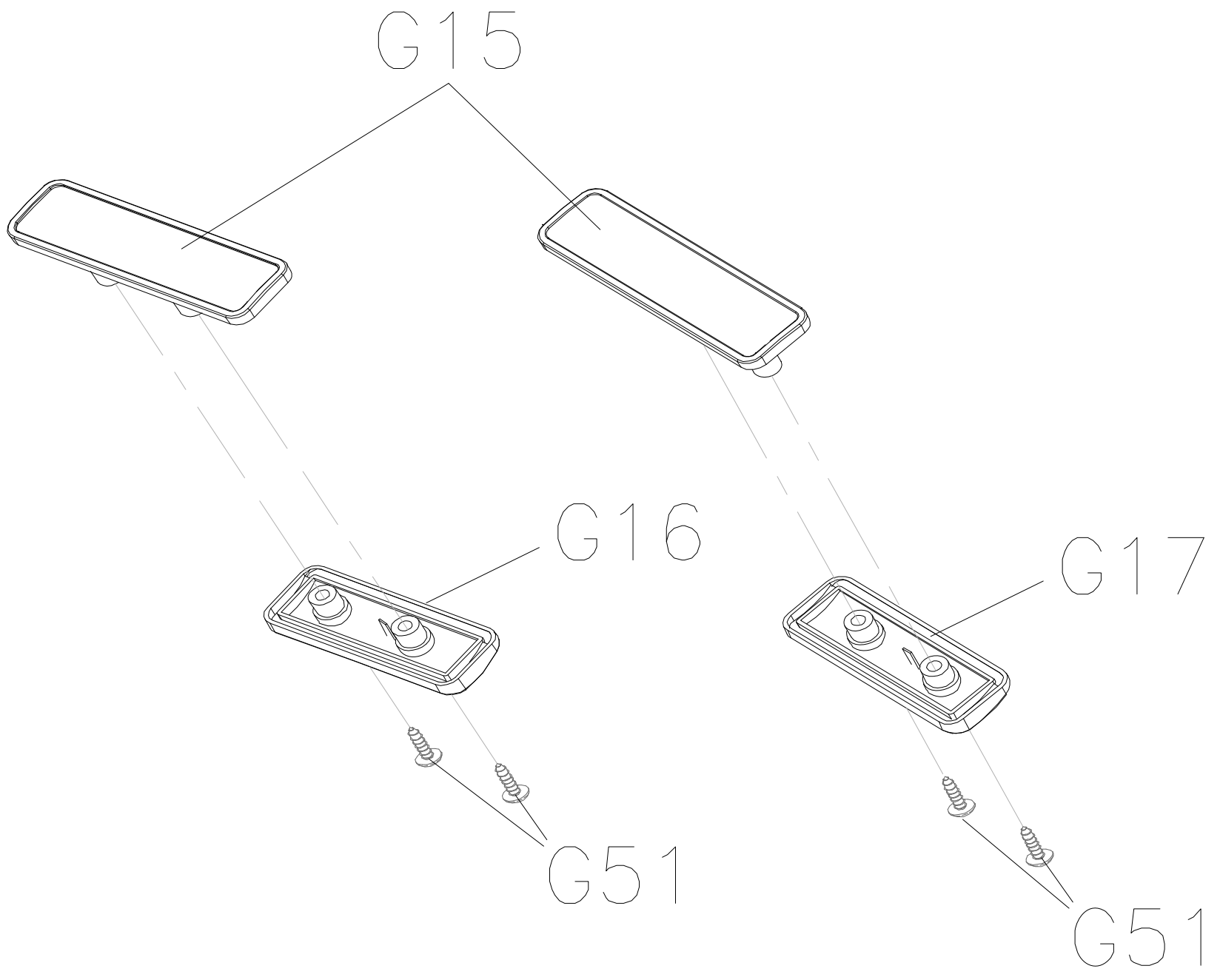
SAP NO.	Model Name
MTM0306-00	T-7xe-04-C(1US)



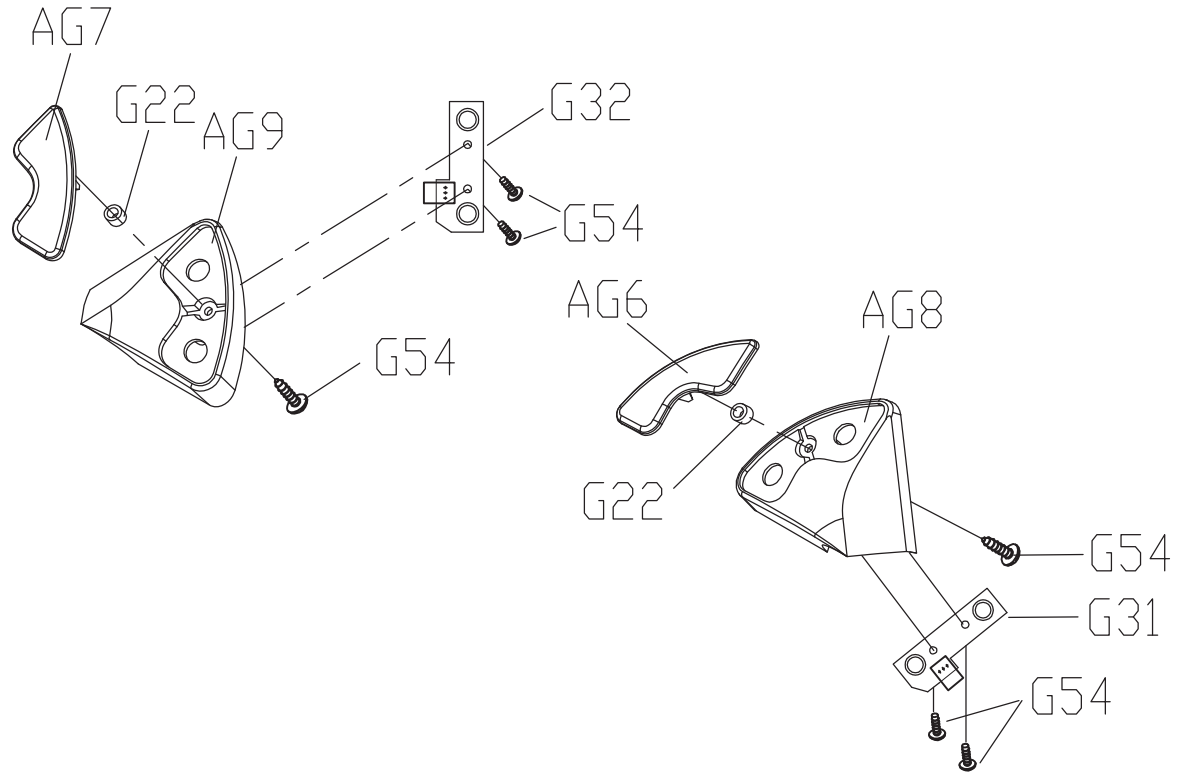


DRAWING NO	TM502-AG11		
PART NAME	Handlebar Set		
PART NO	1000207642  B		
APPROVE	SHUYI	DATE	030111



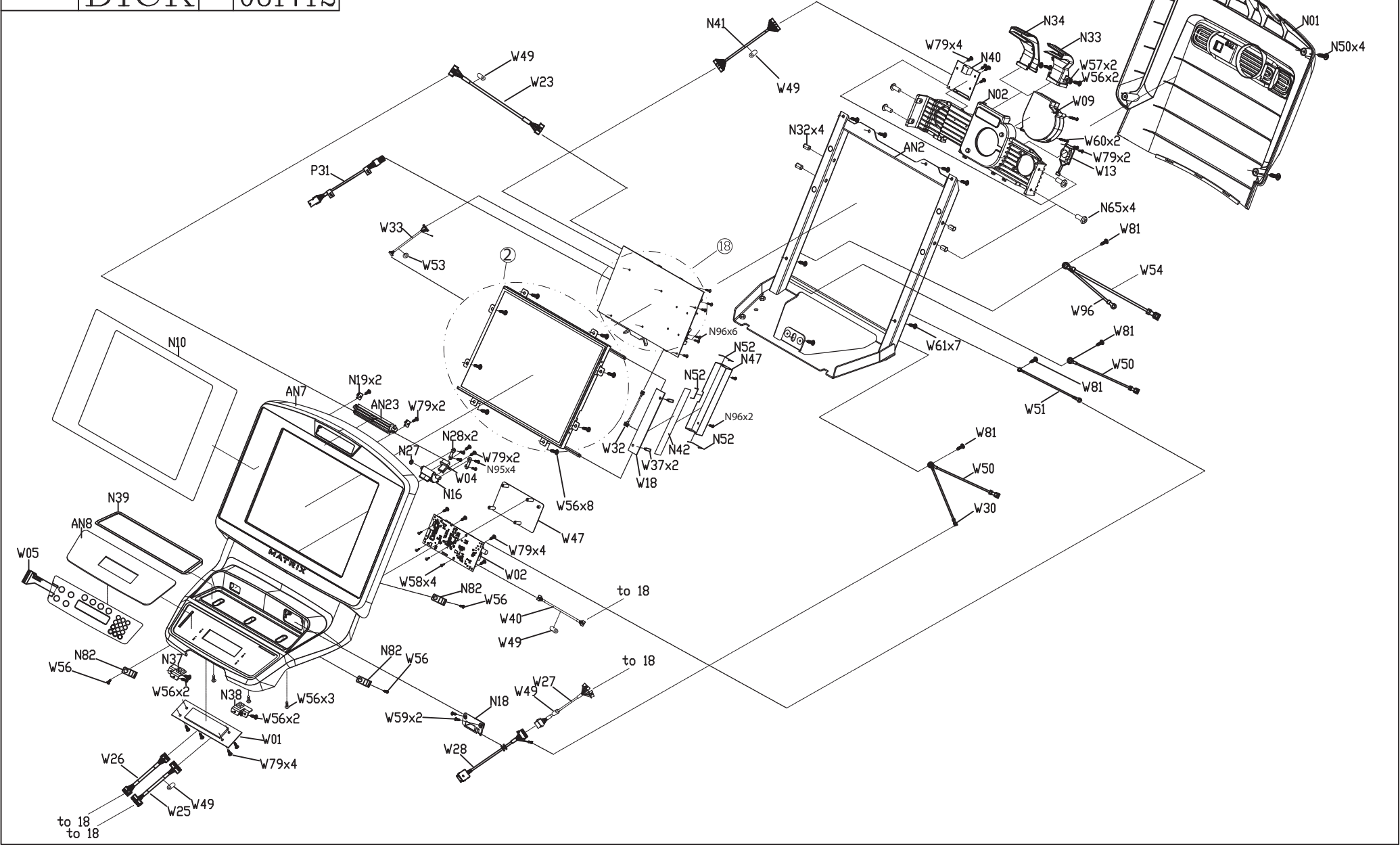


RAWING NO	TM502-AG12		
PART NAME	Quick Key Set		
PART NO	0000089687		
APPROVE	SHUYI	DATE	101211

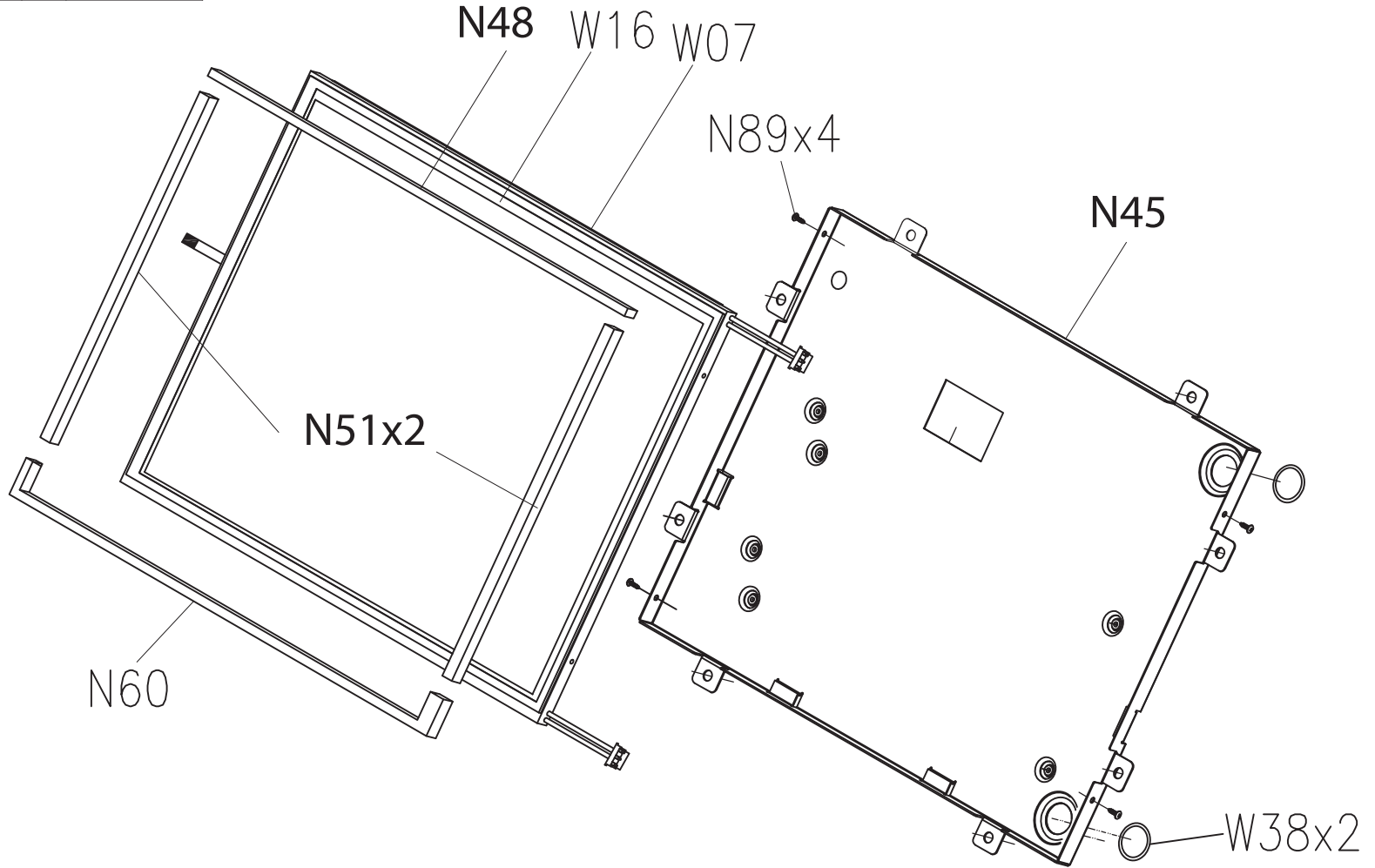


DRAWING NO	TM520-AN6
PART NAME	Console Set
PART NO	As Attachment
APPROVE	DICK
DATE	081712

Part NO	Description
1000226585	Console Set;ES;ENG;T-7xe-04-C



DRAWING NO	EP613-AW31		
PART NAME	PANEL BOARD SET;15 INCH TFT LCD		
PART NO	1000233262	REV	A
APPROVE	DICK	DATE	20120615



DRAWING NO	TM503F-AW11		
PART NAME	Control Board;LMM		
PART NO	0000095708		
APPROVE	SHUYI	DATE	030512

