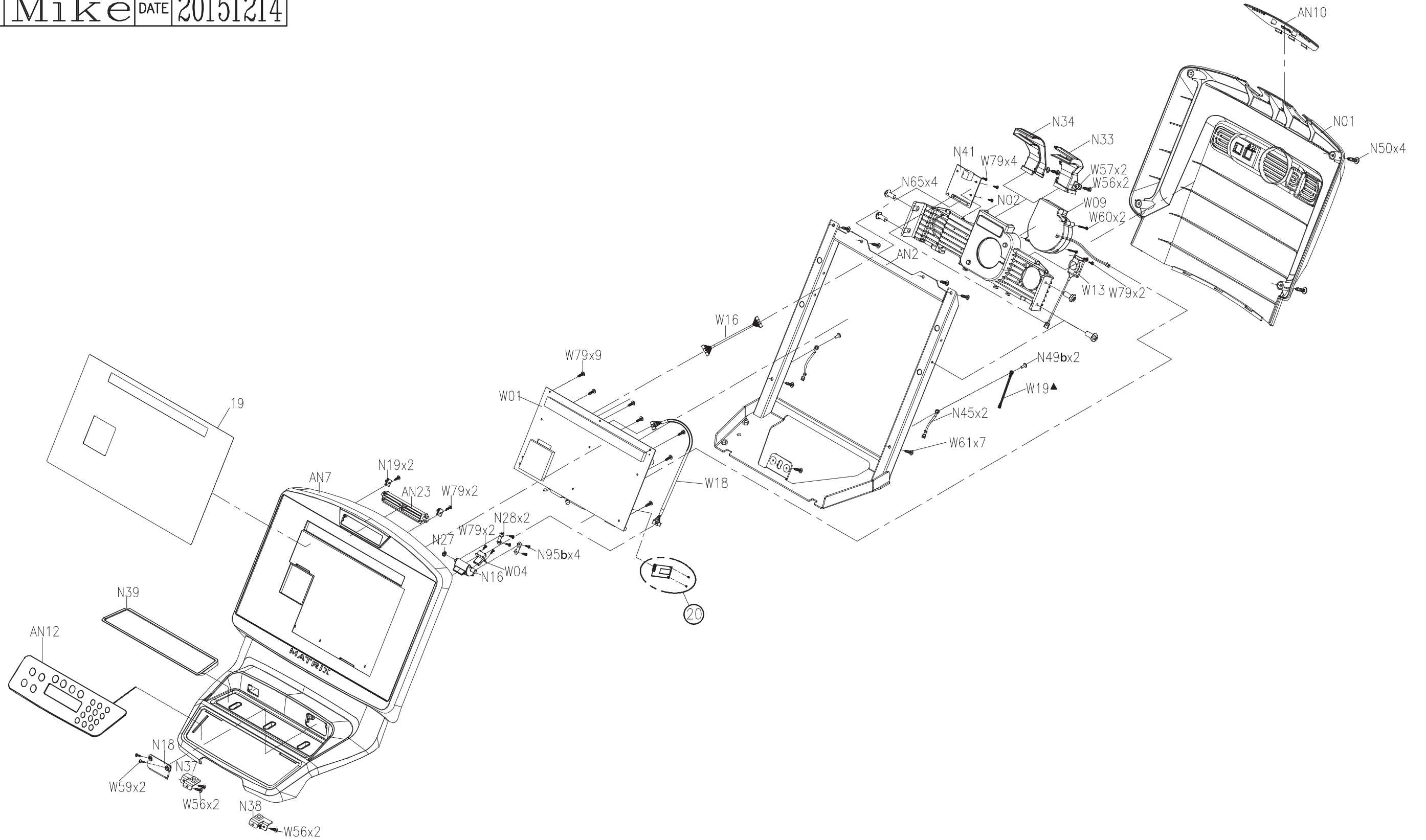
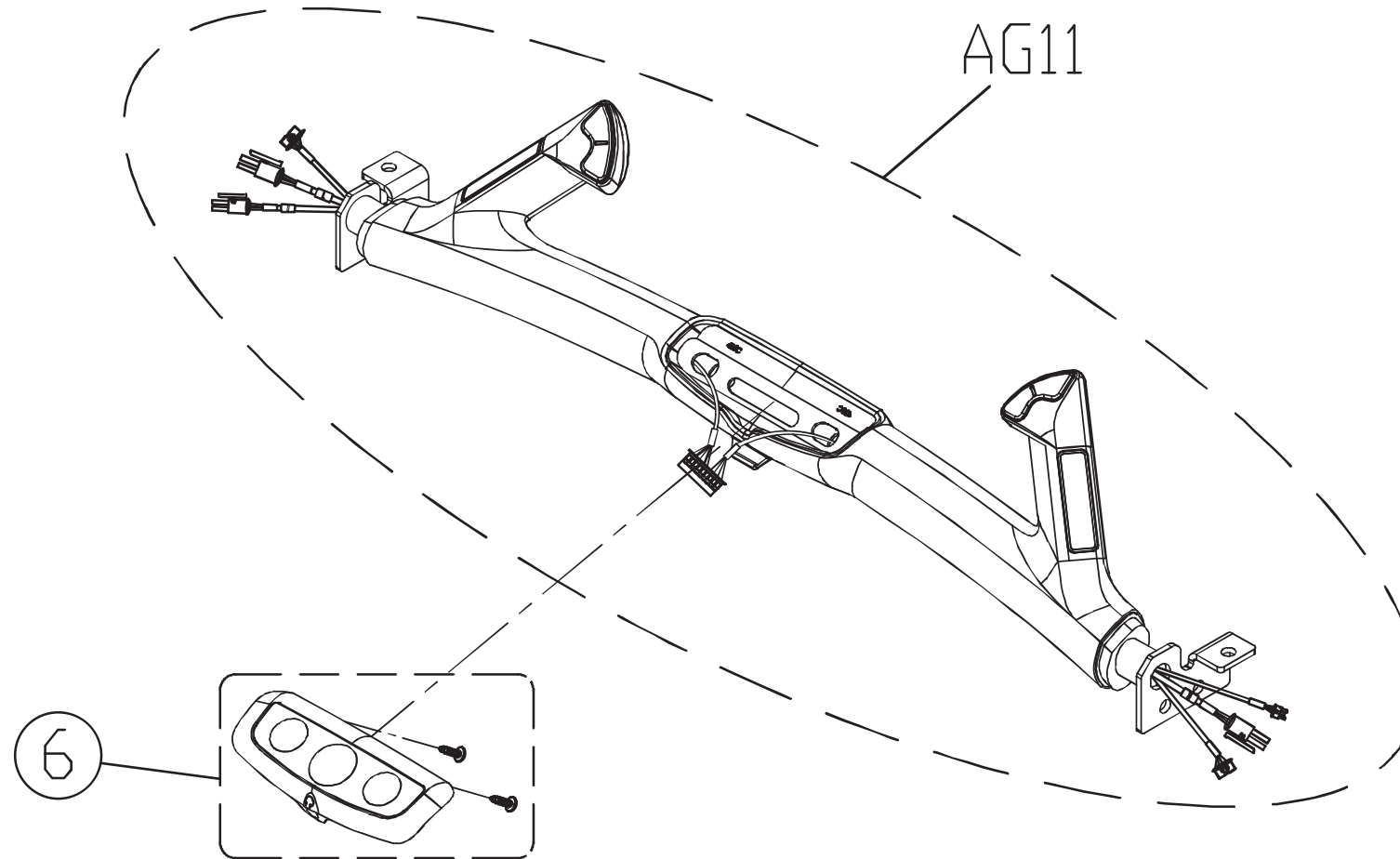


DRAWING NO	TM530D-AN6		
PART NAME	Console Set		
PART NO	1000380323 REVA		
APPROVE	Mike	DATE	20151214

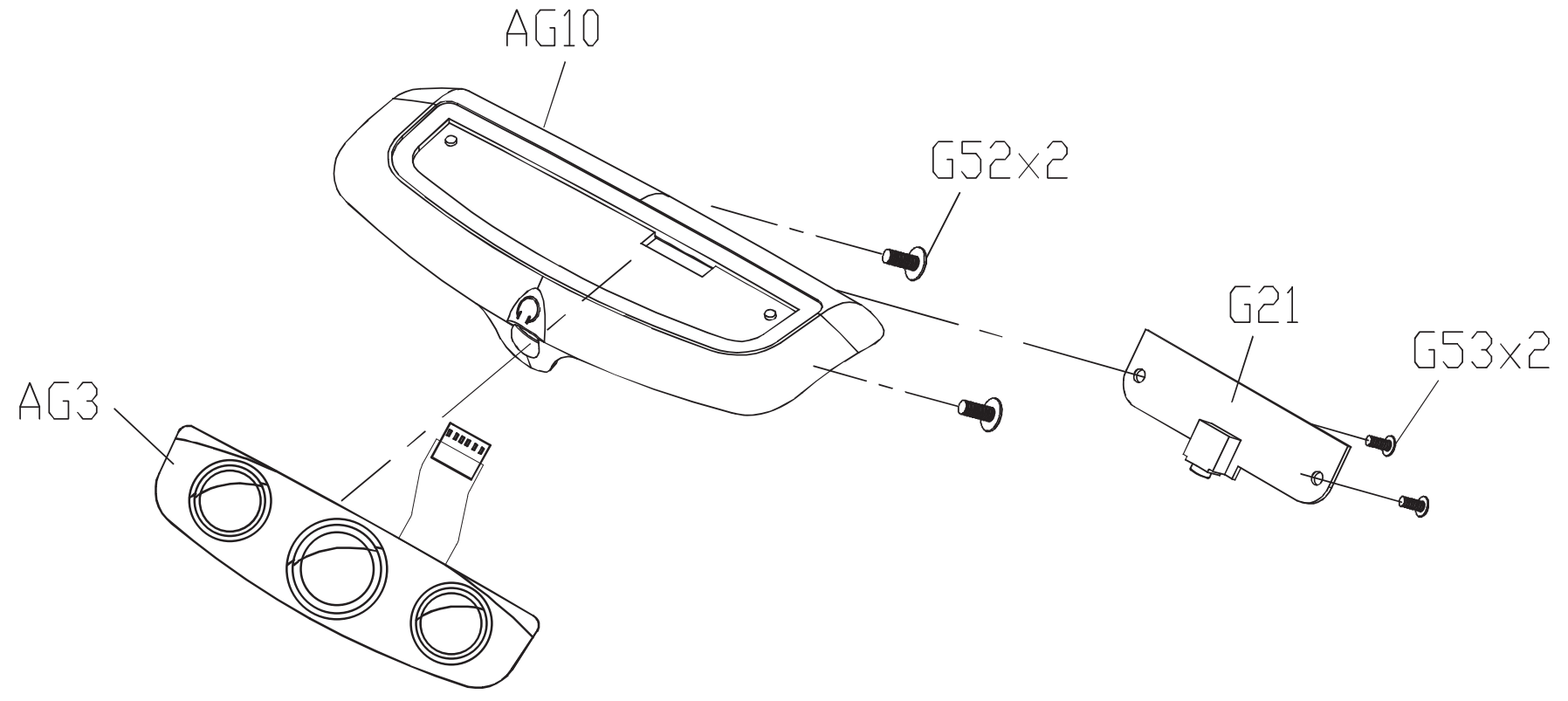


DRAWING NO	TM530-AG21		
PART NAME	Handlebar Set		
PART NO	As Attachment ^R _V B		
APPROVE	ALLEN	DATE	102015



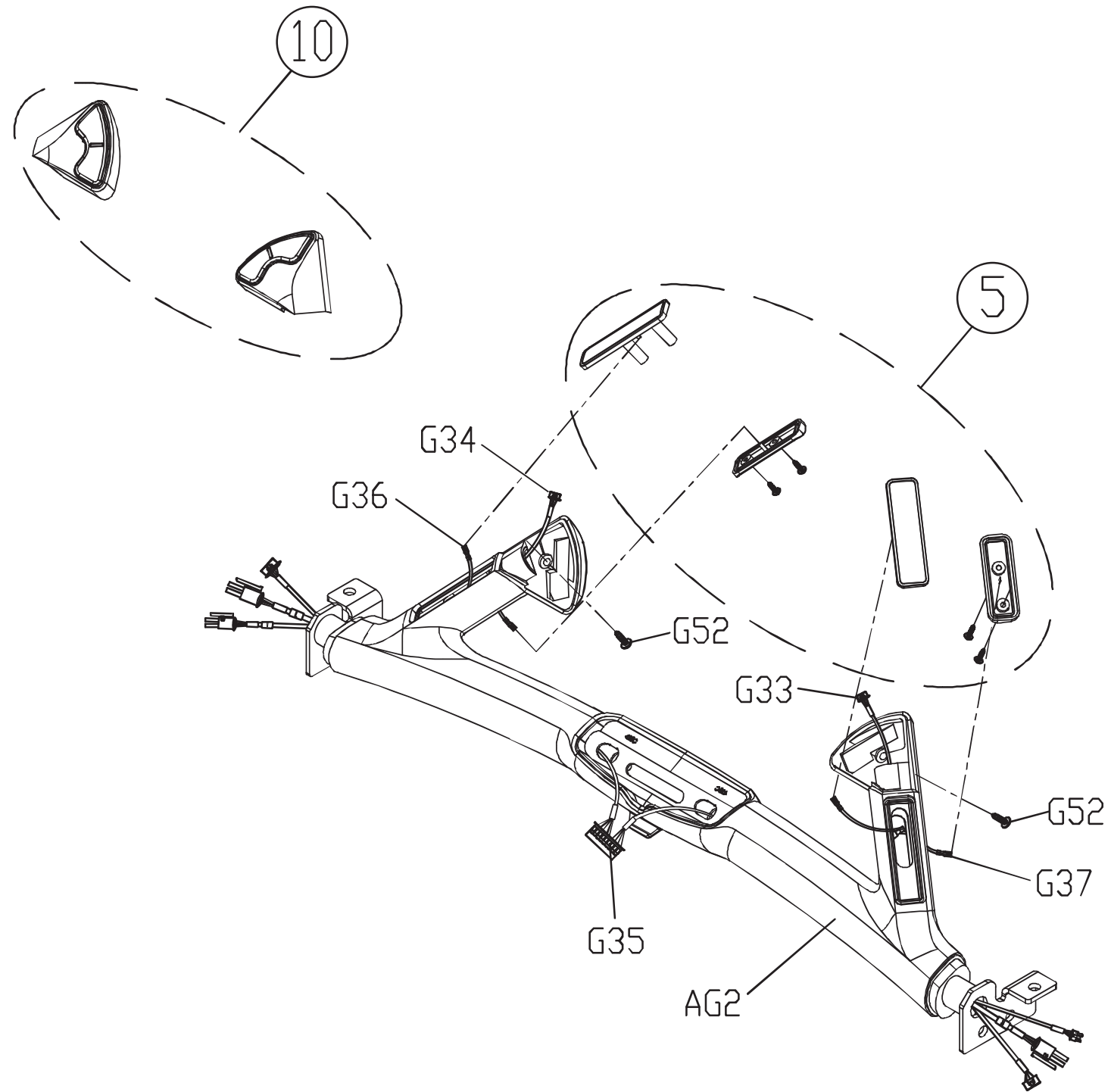
Part NO	Description
1000377477	Handlebar Set;English
1000377487	Handlebar Set;German
1000377488	Handlebar Set;Spanish
1000377489	Handlebar Set;Italian
1000377490	Handlebar Set;French
1000377491	Handlebar Set;Dutch
1000377492	Handlebar Set;Polish
1000377493	Handlebar Set;Portuguese
1000377484	Handlebar Set;Japanese

DRAWING NO	TM527-AG22		
PART NAME	Quick Start Overlay Set		
PART NO	As Attachment ^R / _E / _C		
APPROVE	Heady	DATE	042016

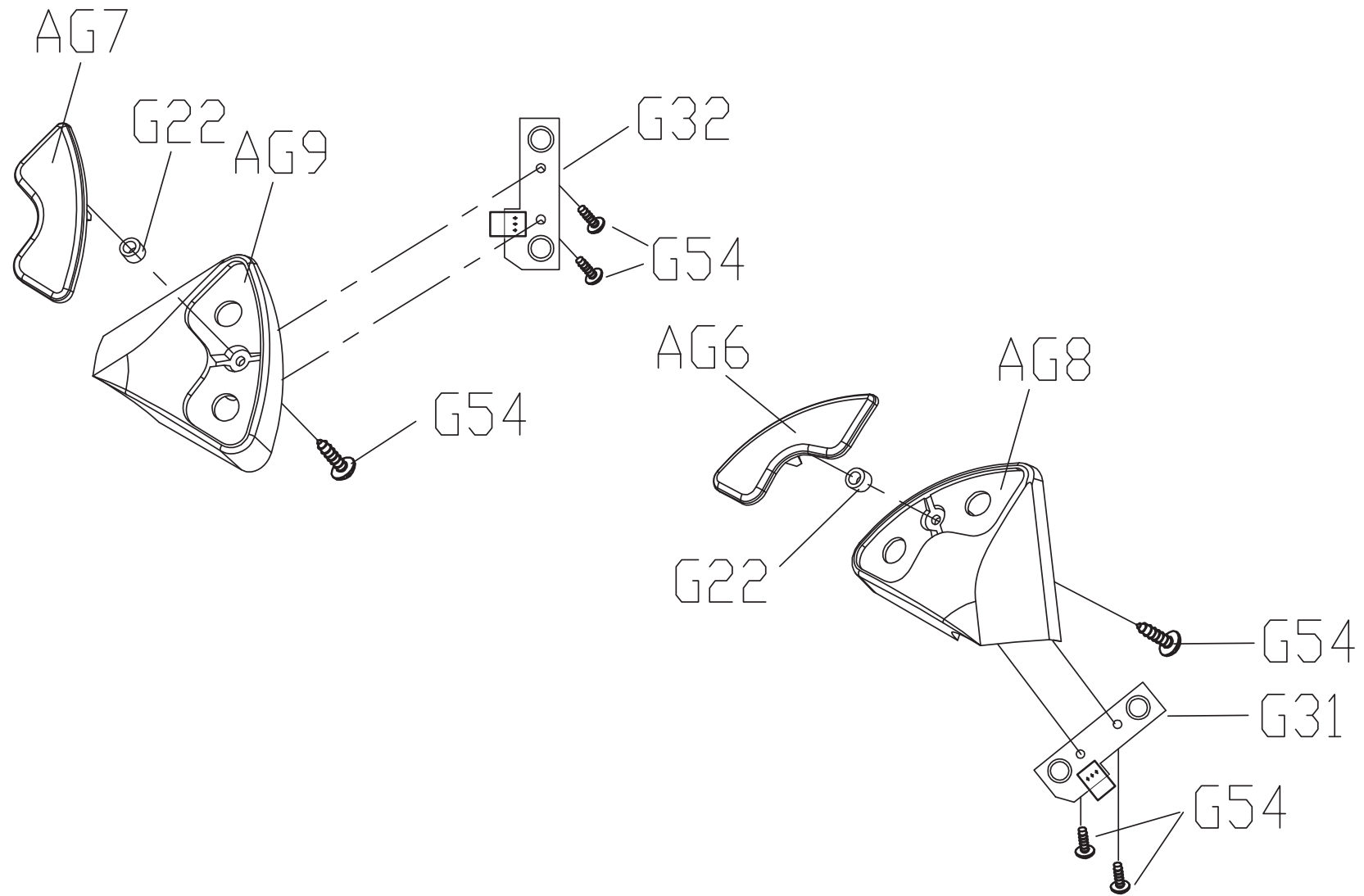


Part NO	Description
1000385846	ES/MS;English;T-7xe-05-C
1000385847	MS;German;T-7xe-05-C
1000385848	MS;Spanish;T-7xe-05-C
1000385849	MS;Italian;T-7xe-05-C
1000385850	MS;French;T-7xe-05-C
1000385851	MS;Dutch;T-7xe-05-C
1000385852	MS;Polish;T-7xe-05-C
1000385853	MS;Portuguese;T-7xe-05-C
1000385854	MS;Japan;T-7xe-05-C

DRAWING NO	TM530-AG11		
PART NAME	Handlebar Set		
PART NO	1000377480	REV	B
APPROVE	ALLEN	DATE	102015



DRAWING NO	TM502-AG12		
PART NAME	Quick Key Set		
PART NO	0000089687 ^R _{REV} B		
APPROVE	SHUYI	DATE	101211

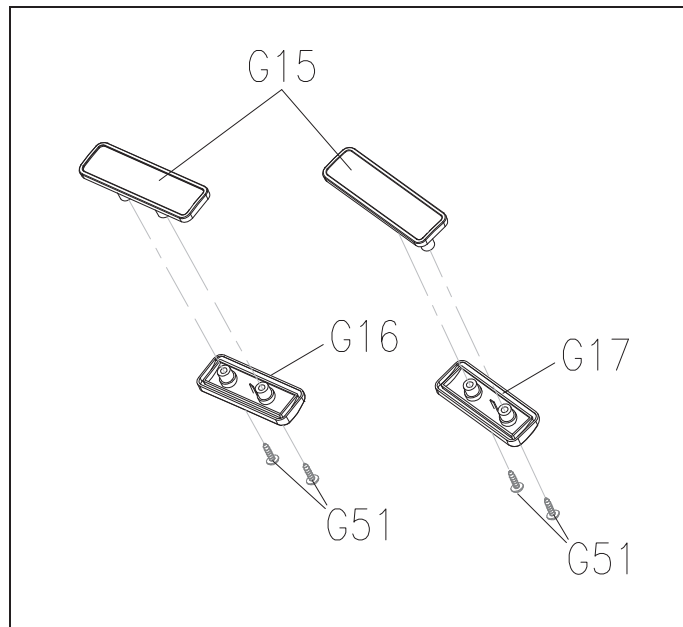




T7x-01-C

0000091816

HR GRIP COVER SET



Item No.	SAP Part NO	Description	QTY
G15	0000086068	COVER; SENSOR; UPPER	2
G16	0000086092	COVER; SENSOR; LEFT;	1
G17	0000086271	COVER; SENSOR; RIGHT;	1
G51	0000087858	SCREW; PHILLIP; ROUND;	4

DRAWING NO	TM501-AT6		
PART NAME	SAFETY KEY SET		
PART NO	1000233602 ^R _B		
APPROVE	S.T.C	DATE	083112

