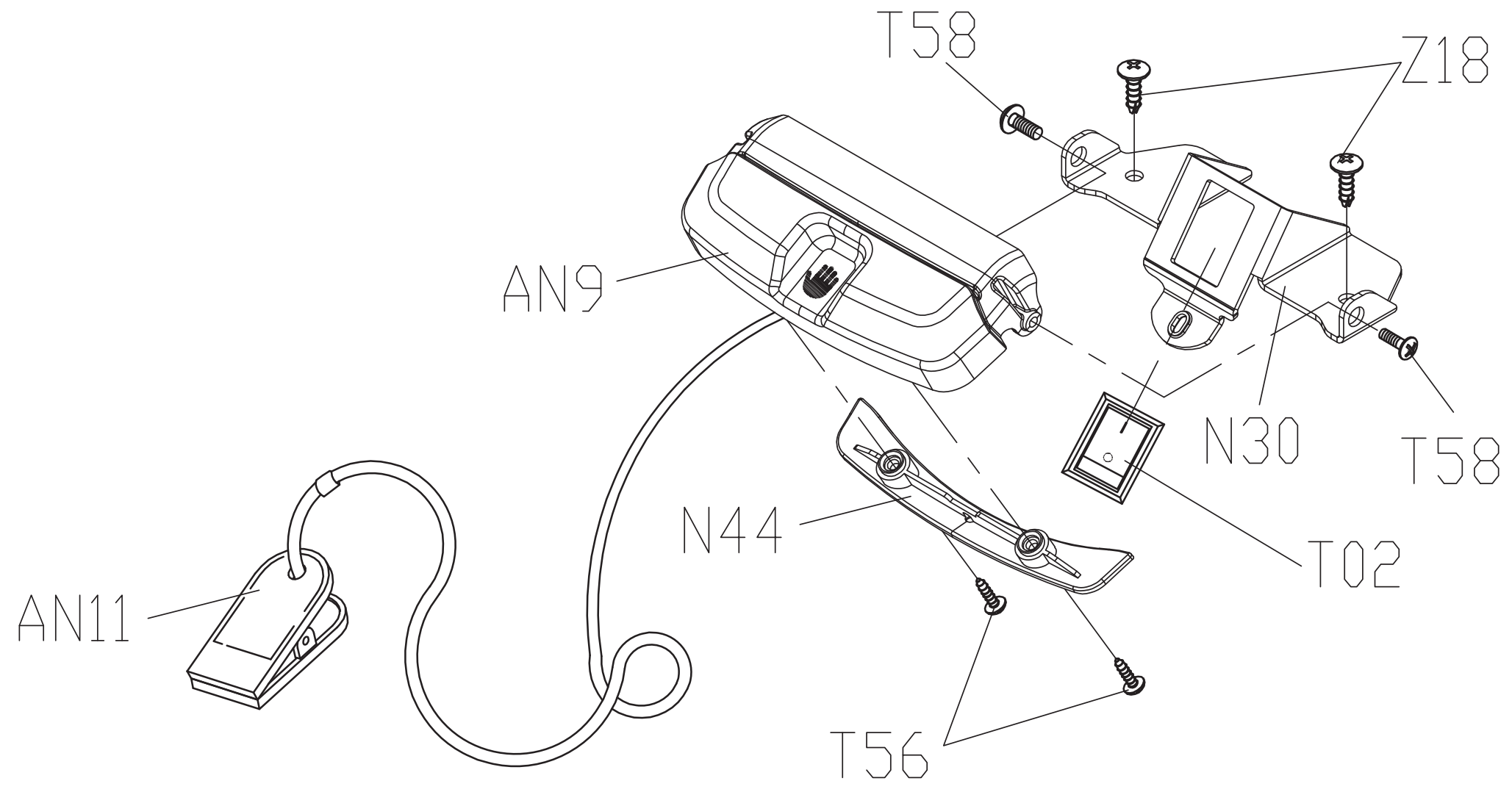
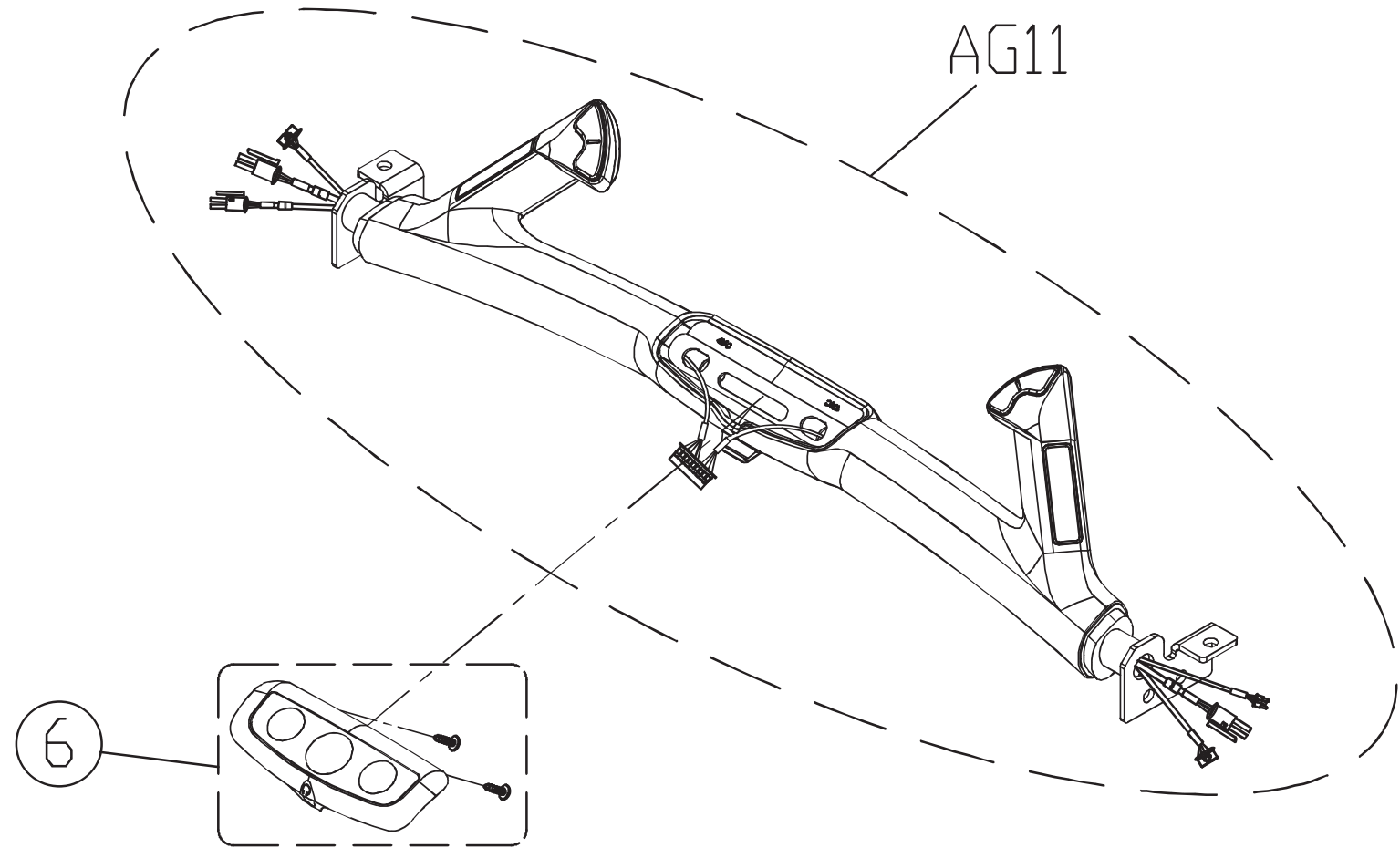




DRAWING NO	TM501-AT6		
PART NAME	SAFETY KEY SET		
PART NO	1000233602 <sup>R</sup> <sub>B</sub>		
APPROVE	S.T.C	DATE	083112

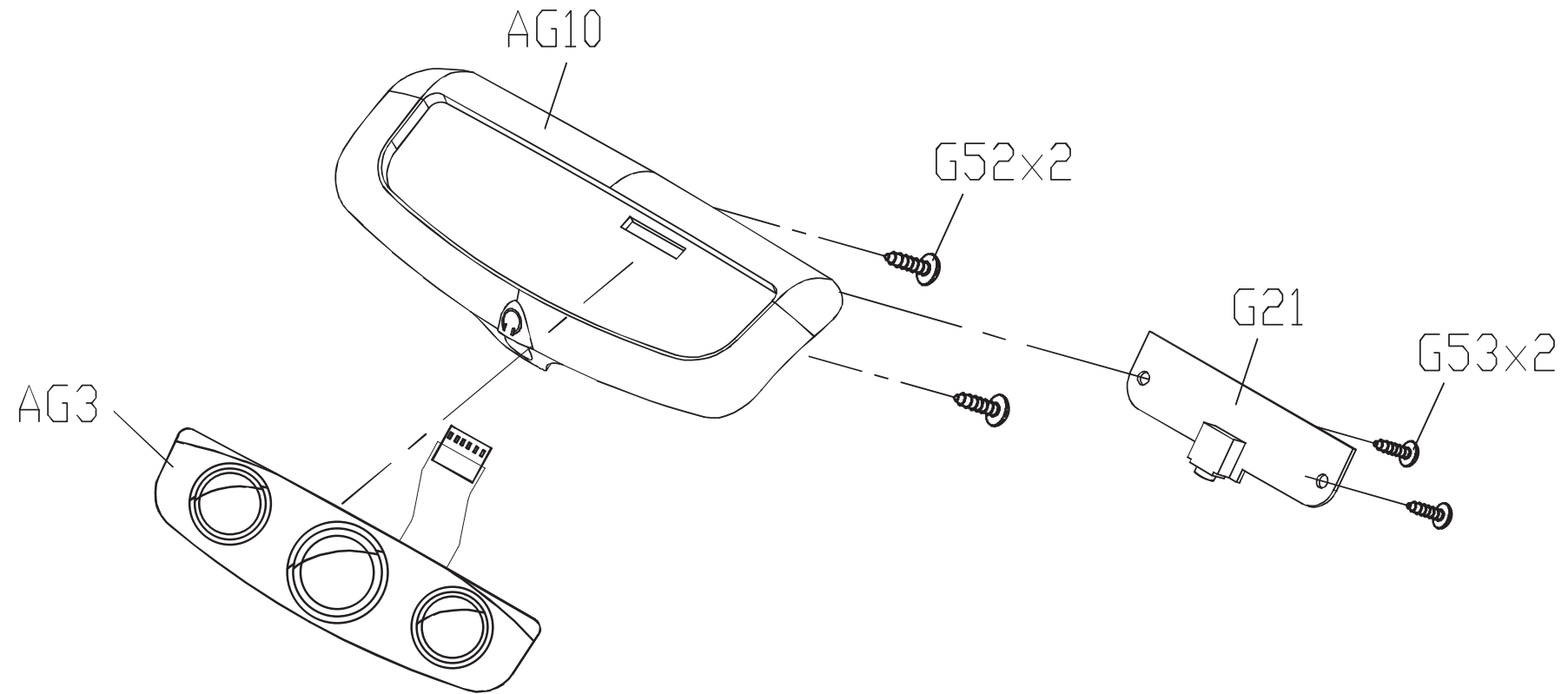


DRAWING NO	TM527-AG21		
PART NAME	Handlebar Set		
PART NO	As Attachment <sup>REV</sup> B		
APPROVE	SHUYI	DATE	052115



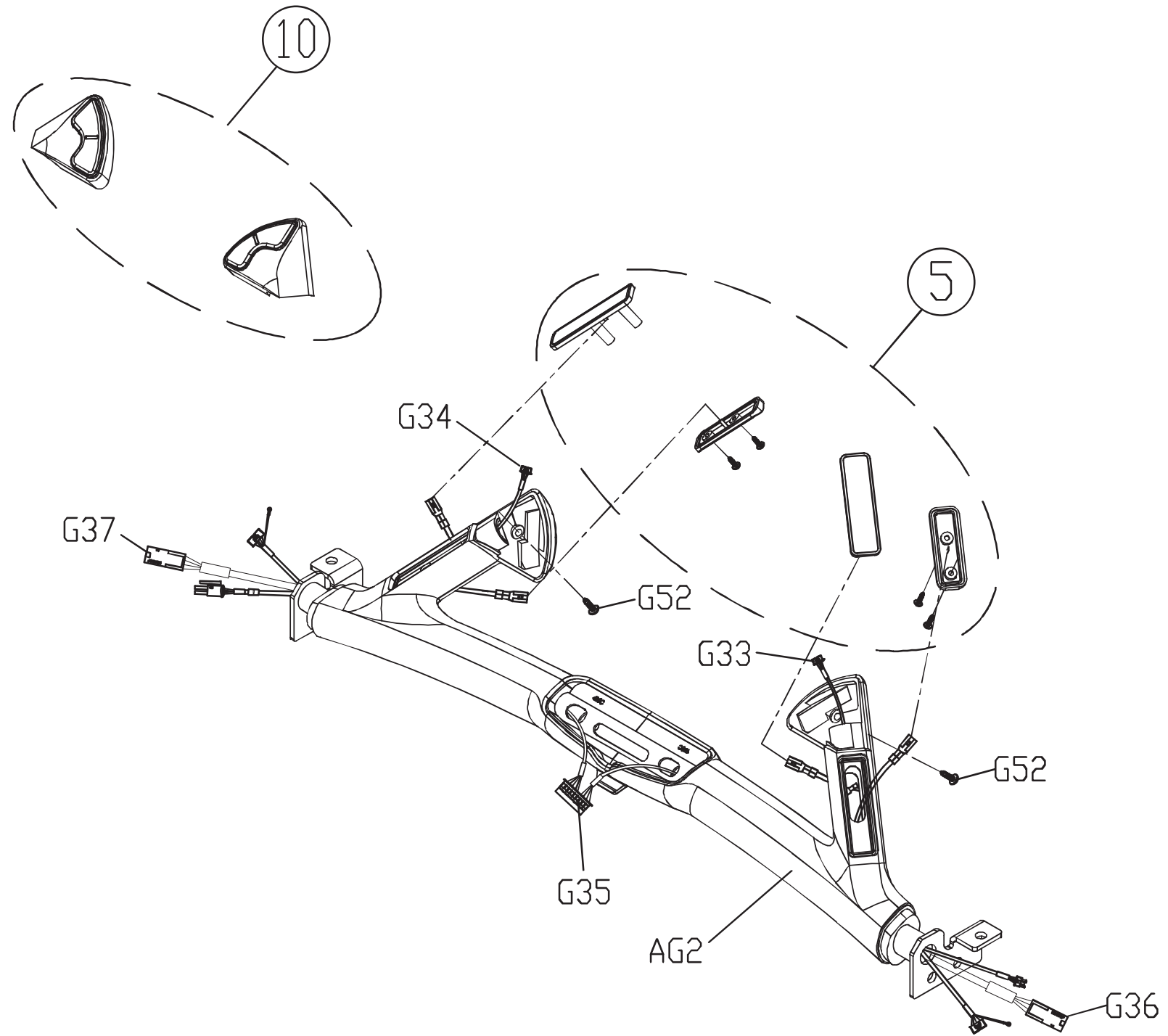
Part NO	Description
1000356217	Handlebar Set;English
1000361041	Handlebar Set;German
1000361043	Handlebar Set;Spanish
1000361045	Handlebar Set;Italian
1000361047	Handlebar Set;French
1000361050	Handlebar Set;Dutch
1000361052	Handlebar Set;Polish
1000361054	Handlebar Set;Portuguese
1000356360	Handlebar Set;Japan

DRAWING NO	TM527-AG12		
PART NAME	Quick Start Overlay Set		
PART NO	As Attachment <sup>R</sup> / <sub>F</sub> B		
APPROVE	SHUYI	DATE	052115



Part NO	Description
1000356218	ES/MS;English;T-7xe-05-C
1000361042	MS;German;T-7xe-05-C
1000361044	MS;Spanish;T-7xe-05-C
1000361046	MS;Italian;T-7xe-05-C
1000361049	MS;French;T-7xe-05-C
1000361051	MS;Dutch;T-7xe-05-C
1000361053	MS;Polish;T-7xe-05-C
1000361055	MS;Portuguese;T-7xe-05-C
1000356361	MS;Japan;T-7xe-05-C

DRAWING NO	TM527-AG11		
PART NAME	Handlebar Set		
PART NO	1000356383	REV	C
APPROVE	Hsinyen	DATE	030915

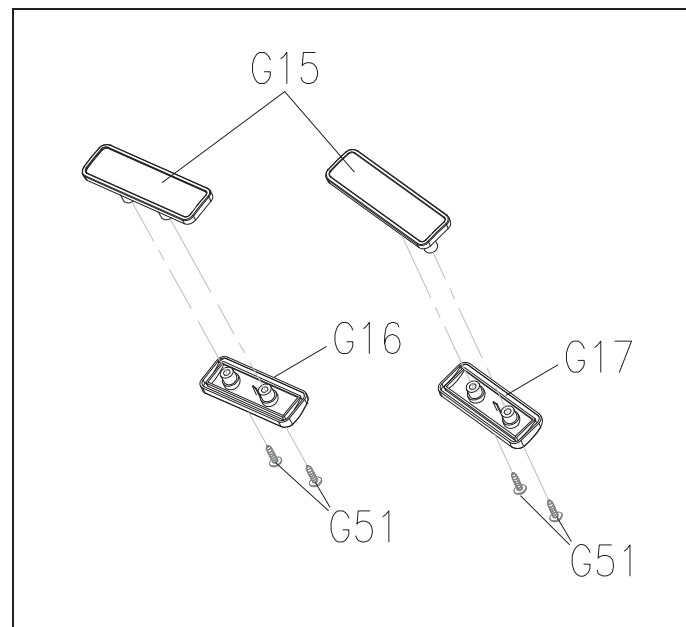




# T7x-01-C

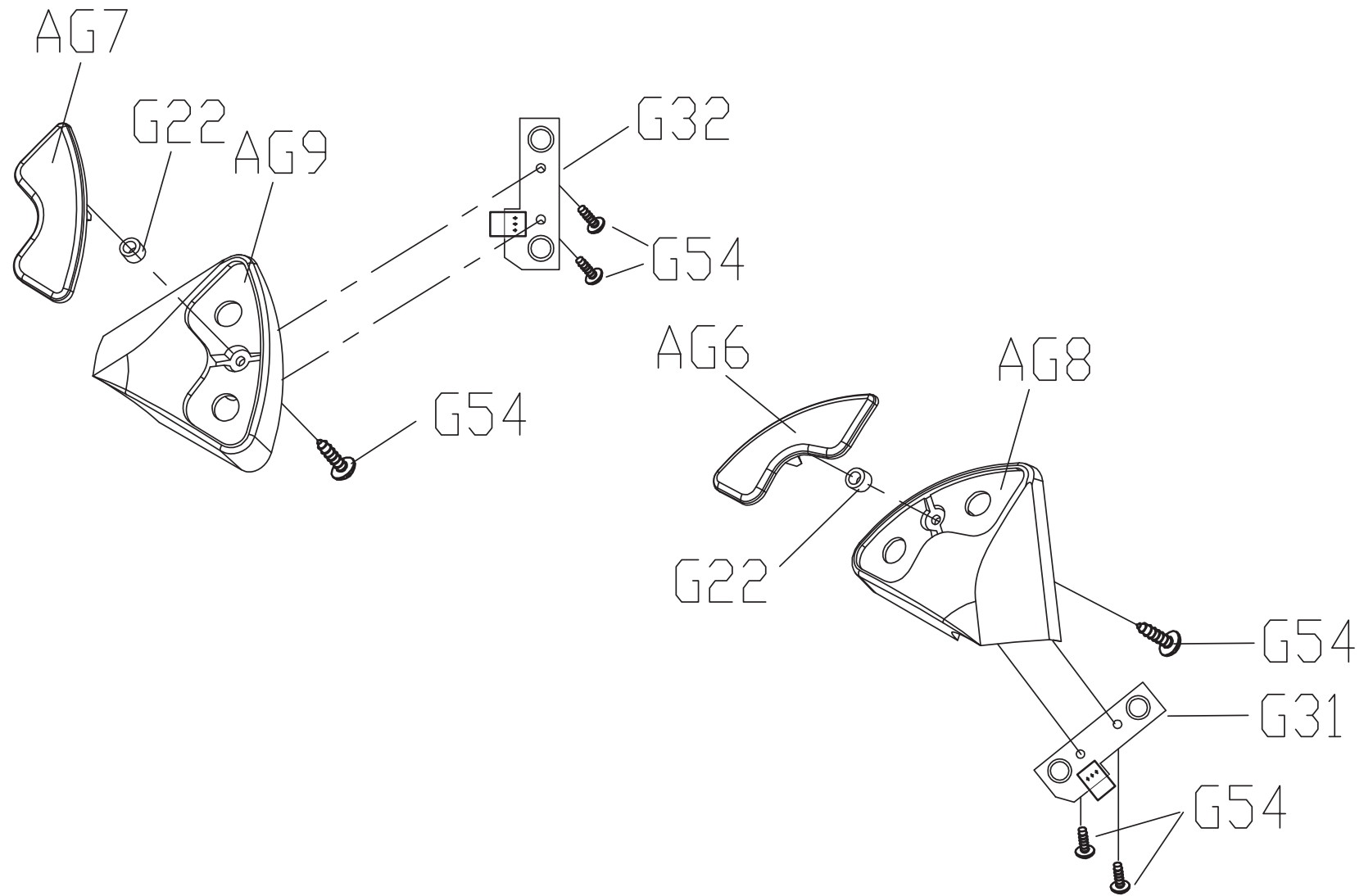
0000091816

## HR GRIP COVER SET



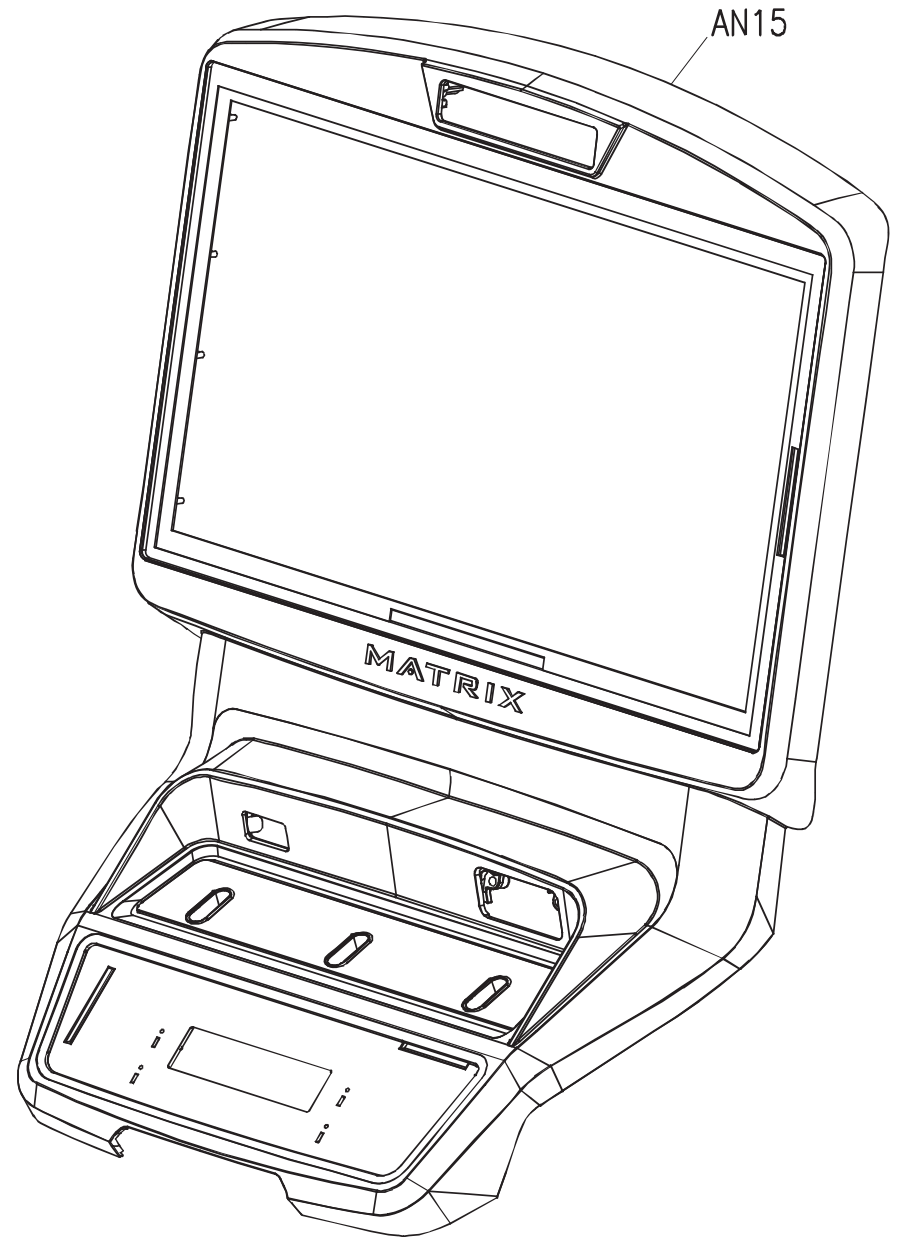
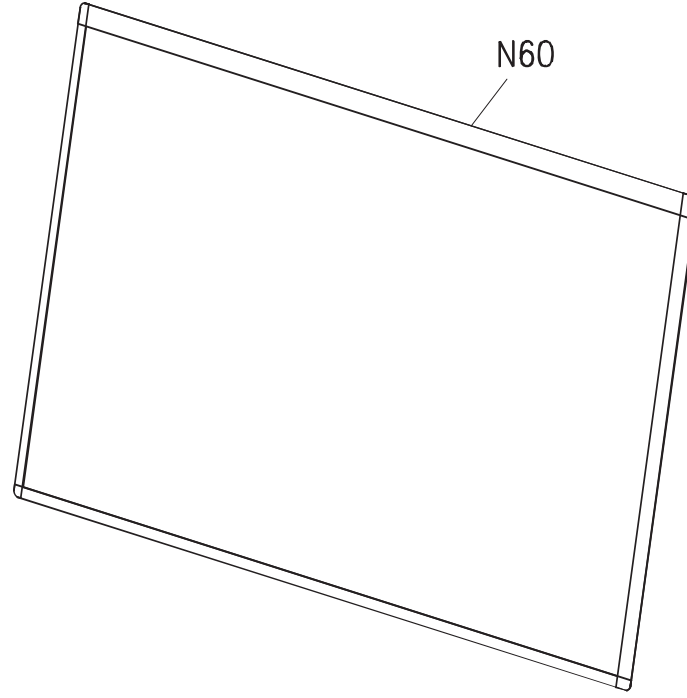
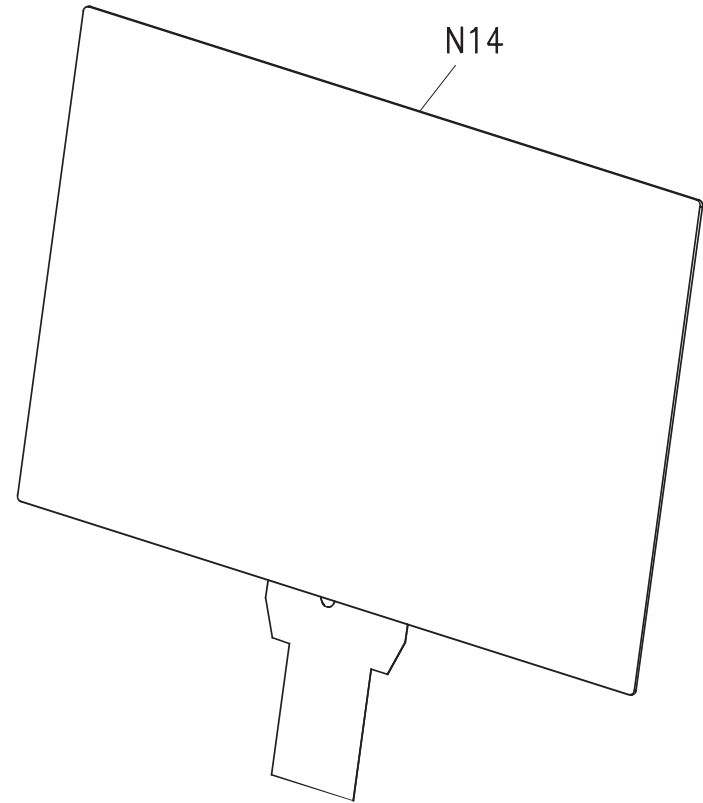
Item No.	SAP Part NO	Description	QTY
G15	0000086068	COVER; SENSOR; UPPER	2
G16	0000086092	COVER; SENSOR; LEFT;	1
G17	0000086271	COVER; SENSOR; RIGHT;	1
G51	0000087858	SCREW; PHILLIP; ROUND;	4

DRAWING NO	TM502-AG12		
PART NAME	Quick Key Set		
PART NO	0000089687 <sup>R</sup> <sub>1</sub> B		
APPROVE	SHUYI	DATE	101211





DRAWING NO	TM528-AN14		
PART NAME	Overlay Set;Touch panel		
PART NO	1000356706  A		
APPROVE	Hunter	DATE	01222015



DRAWING NO	TM528-AW1		
PART NAME	Control Board Set		
PART NO	1000356705	REV	G
APPROVE	Hsinyen	DATE	093015

